

[54] COMPUTER FOR RECORDING TIME AND CHARGES FOR TELEPHONE CALLS

4,260,855 4/1981 Rubenstein 379/140

[76] Inventors: Rochelle Pinz, P.O. Box 394, Atlantic Beach, N.Y. 11509; Ruben M. Lopez, 235 Quentin Rd., Brooklyn, N.Y. 11223

[**] Term: 14 Years

[21] Appl. No.: 757,155

[22] Filed: Jul. 22, 1985

[52] U.S. Cl. D14/59; D14/52

[58] Field of Search D14/65, 52, 59, 60, D14/61; 379/442, 131, 130, 140, 112; D21/111

[56] References Cited

U.S. PATENT DOCUMENTS

3,146,577	9/1964	Danner	379/131
3,320,366	5/1967	Plummer	379/131
3,524,948	8/1970	Lewin	379/140
3,538,258	11/1970	Zuckerman	379/131
3,767,862	10/1973	Grushow	379/131
4,161,626	7/1979	Waldo	379/131

OTHER PUBLICATIONS

Radio Electronics, 6/1978; Build—"Digi-Toll"; Digital Time-Keeping Instrument; pp. 69-72.

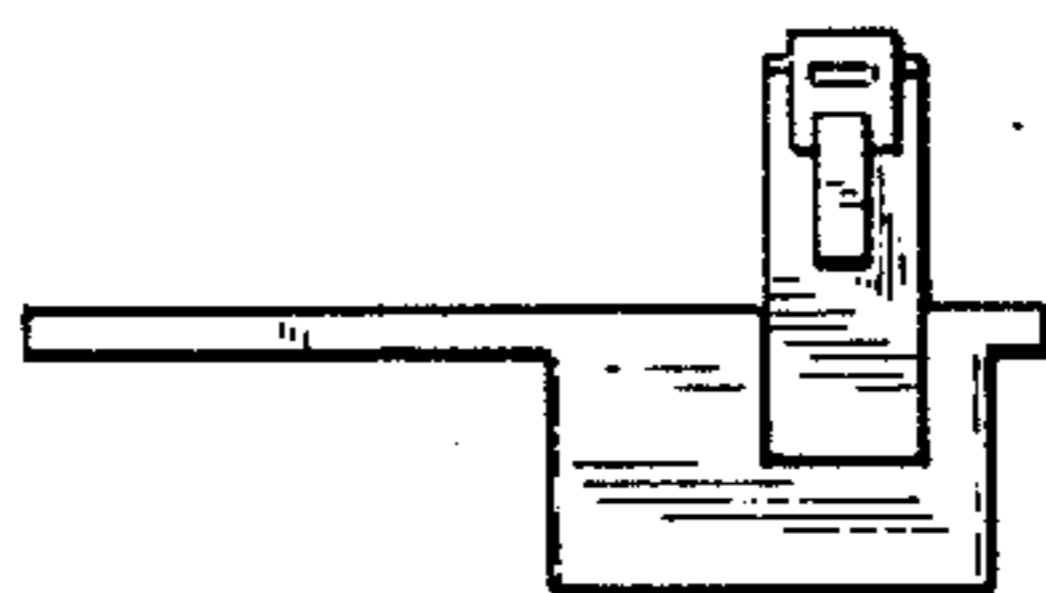
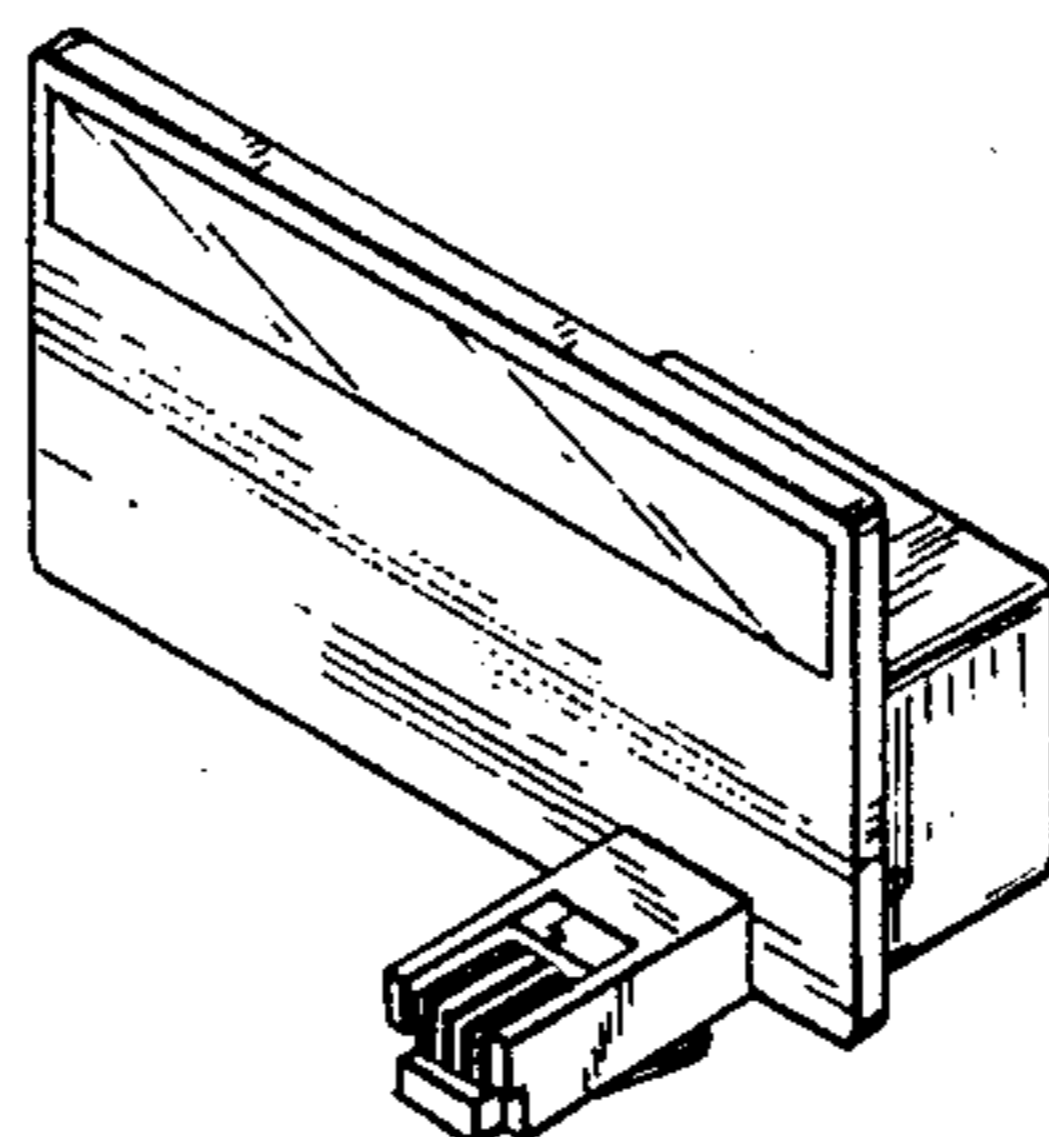
Primary Examiner—Wallace R. Burke
Assistant Examiner—Horace B. Fay
Attorney, Agent, or Firm—Nicholas J. Garofalo

[57] CLAIM

The ornamental design for a computer for recording time and charges for telephone calls, as shown.

DESCRIPTION

FIG. 1 is a front, partial top and right side perspective view of a computer for recording time and charges for telephone calls showing our new design;
FIG. 2 is a top plan view thereof;
FIG. 3 is a bottom plan view thereof;
FIG. 4 is an elevational view of the right side thereof;
FIG. 5 is an elevational view of the left side thereof;
FIG. 6 is an elevational view of the front side thereof;
and
FIG. 7 is an elevational view of the rear side thereof.



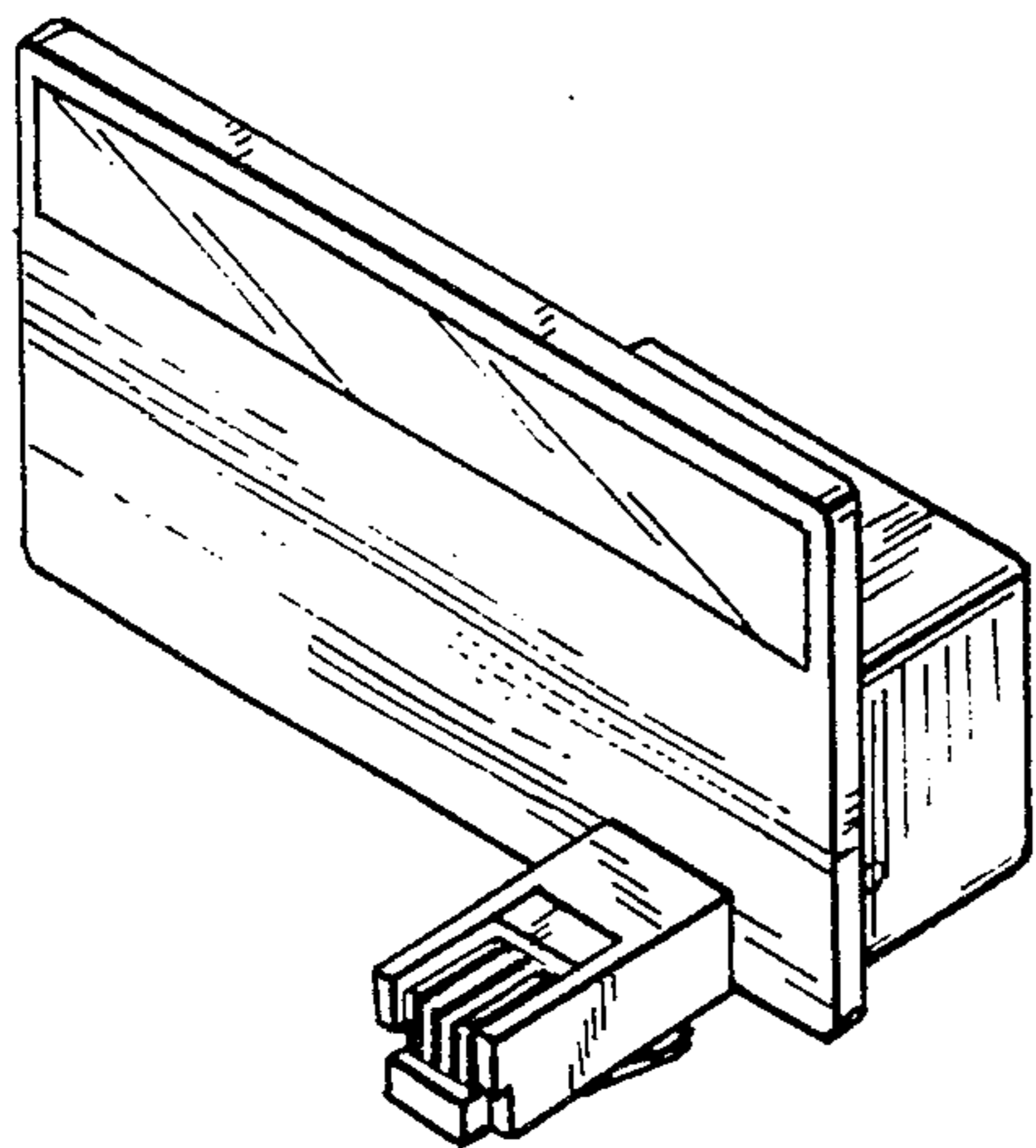


FIG. 1

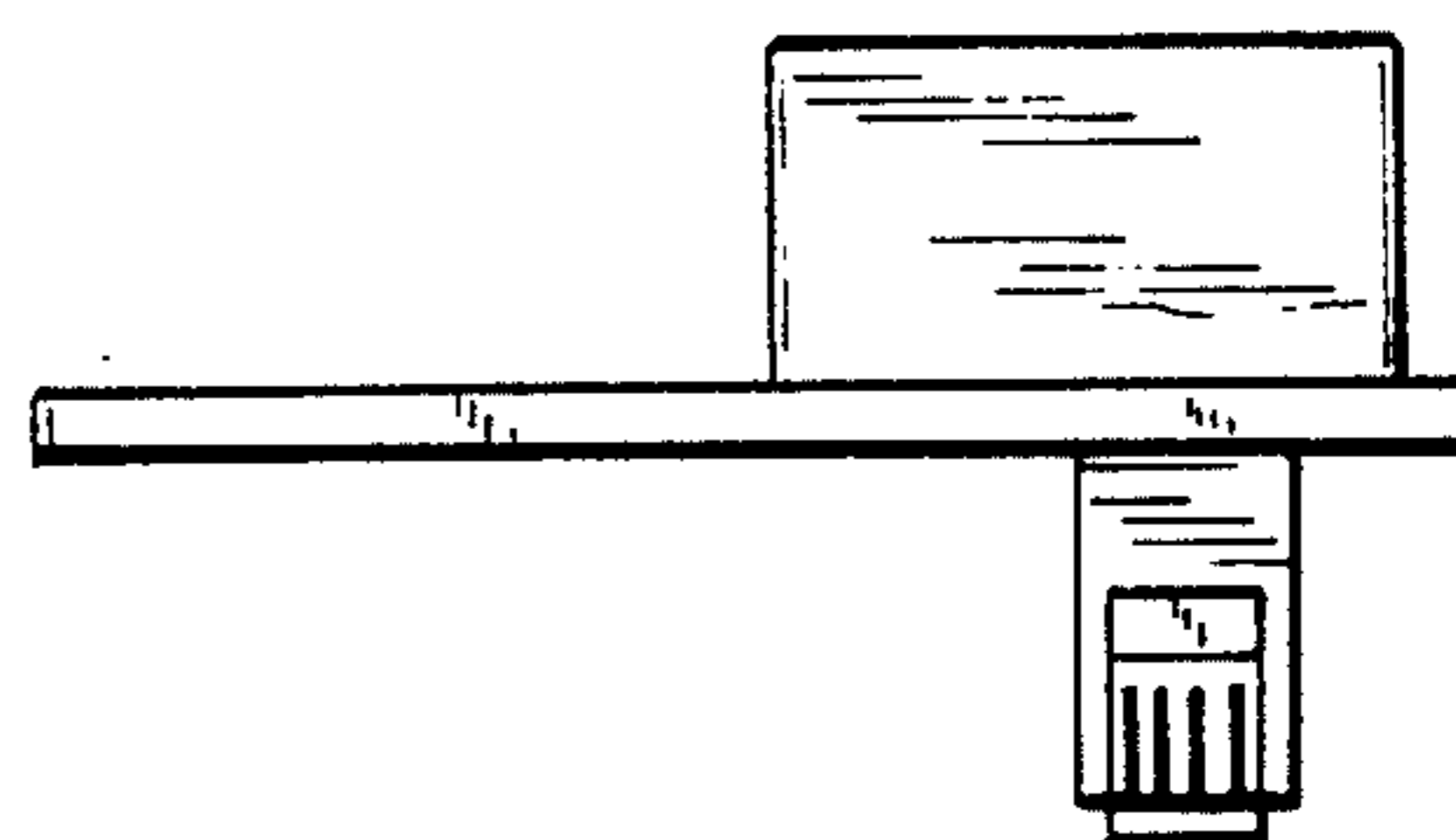


FIG. 2

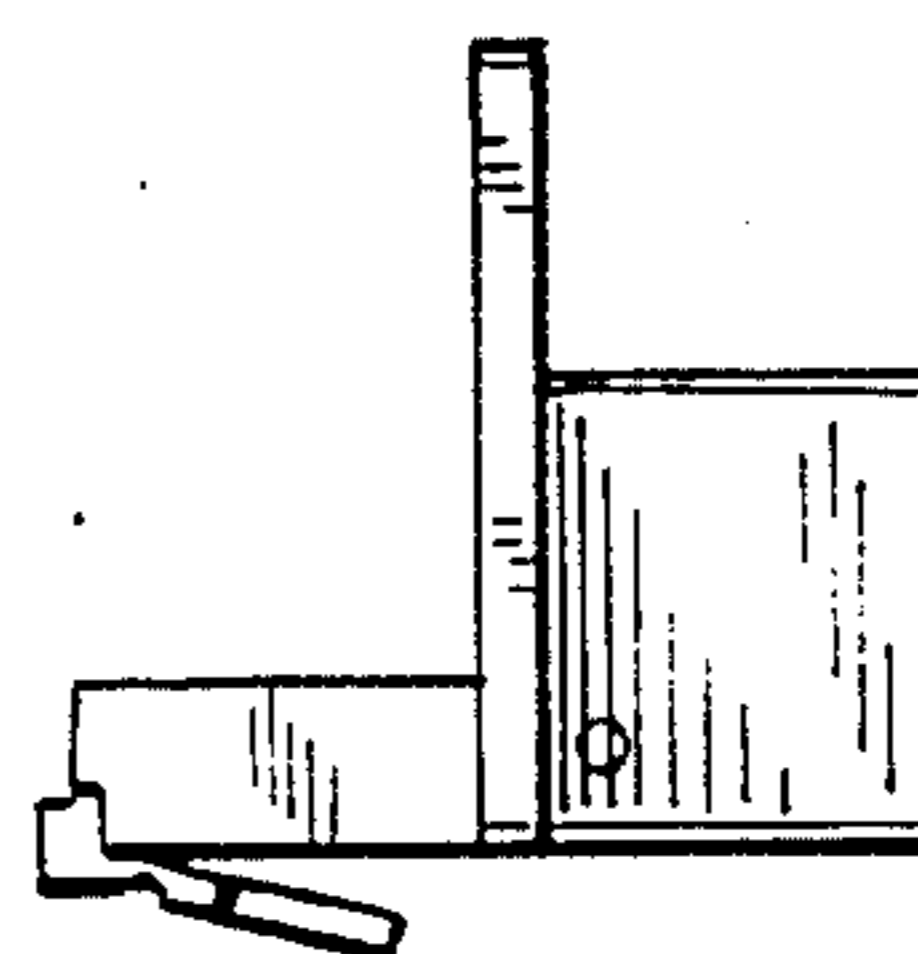


FIG. 4

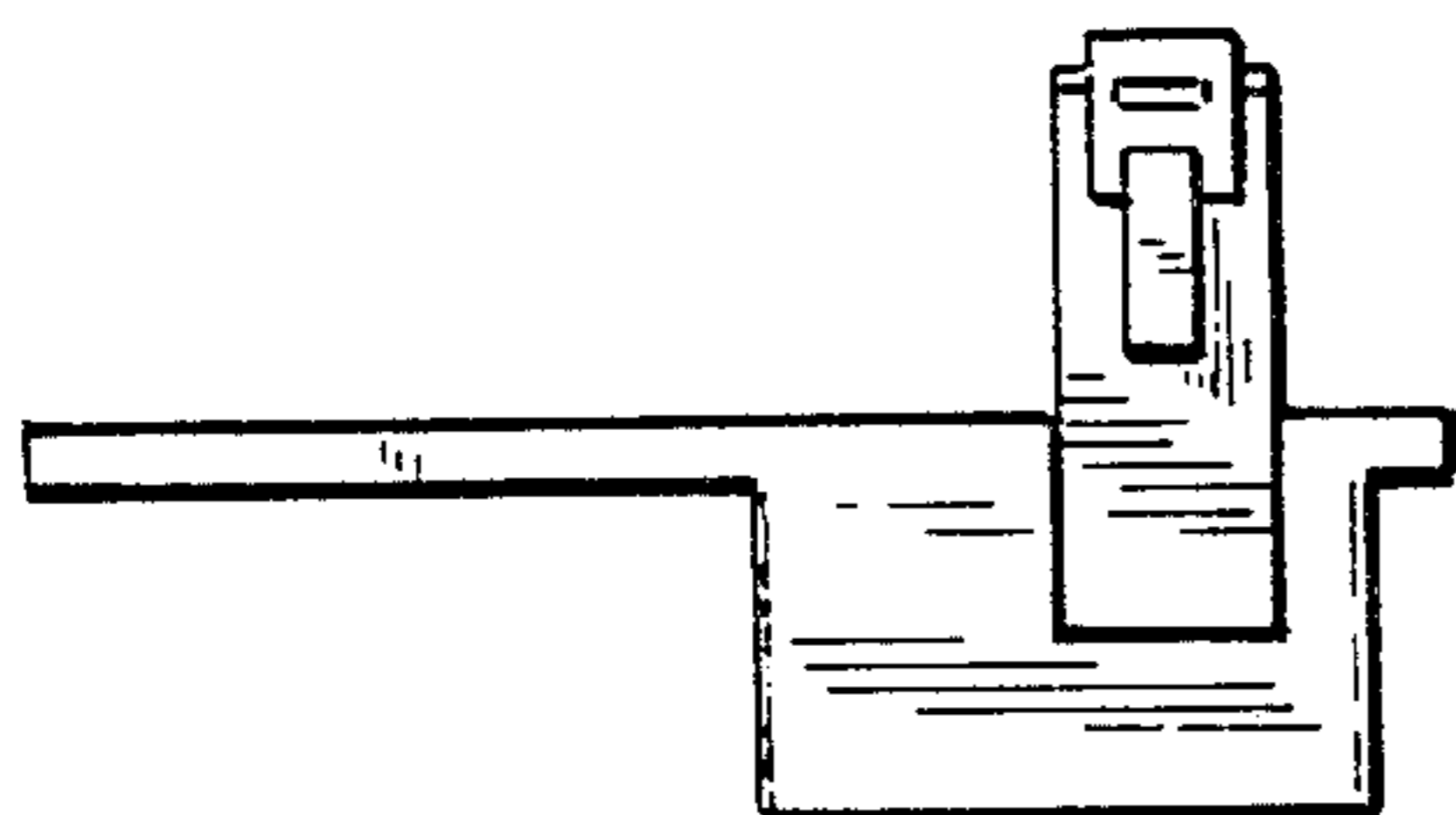


FIG. 3

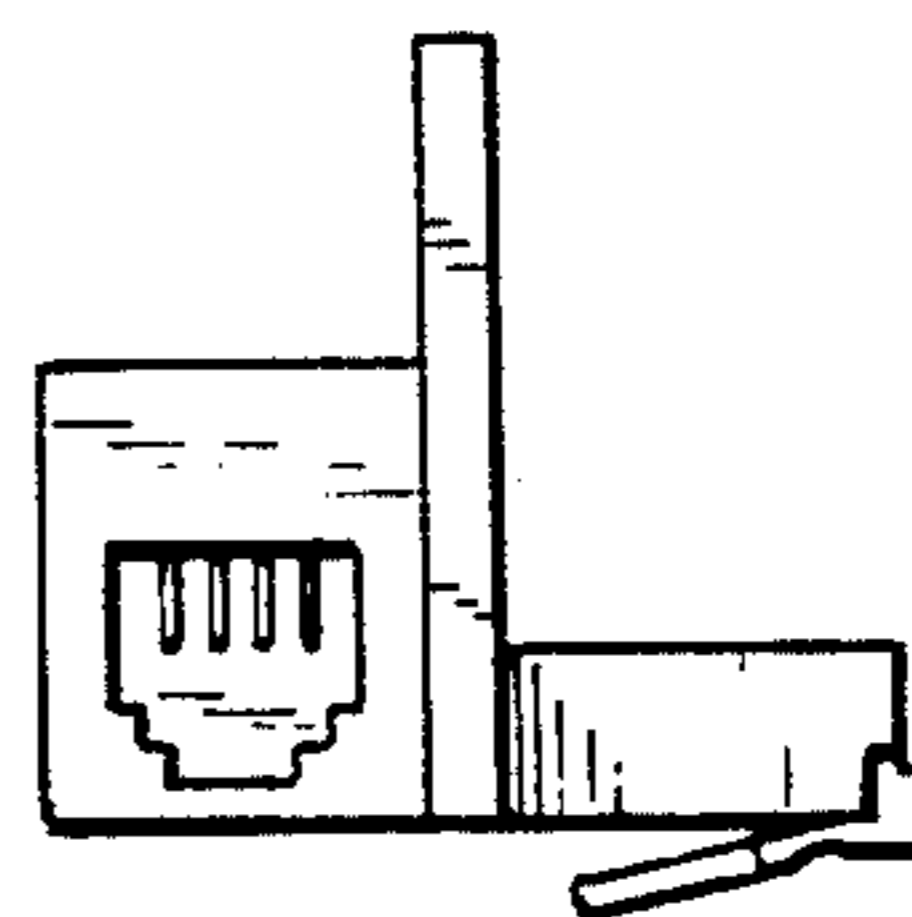


FIG. 5

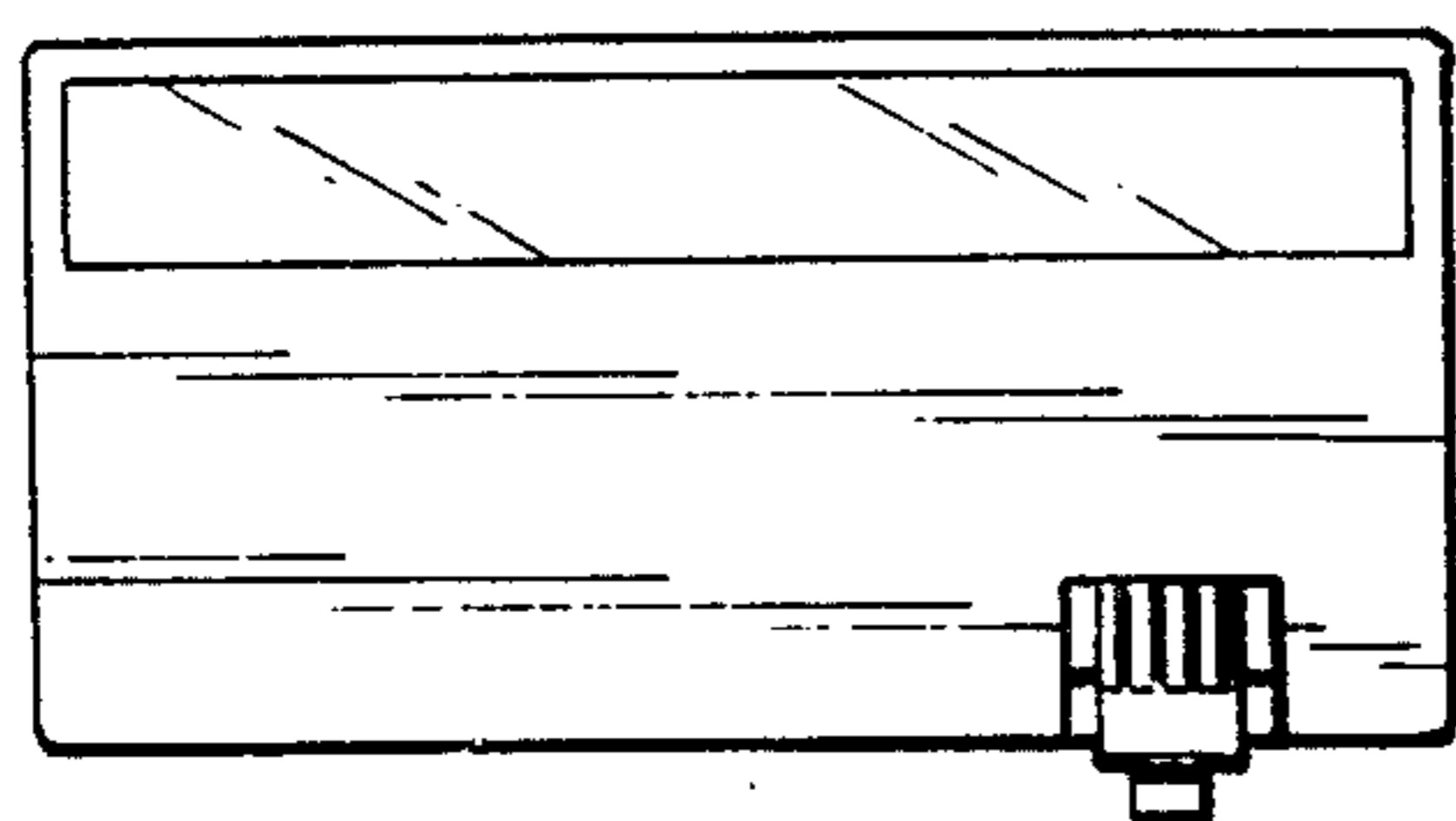


FIG. 6

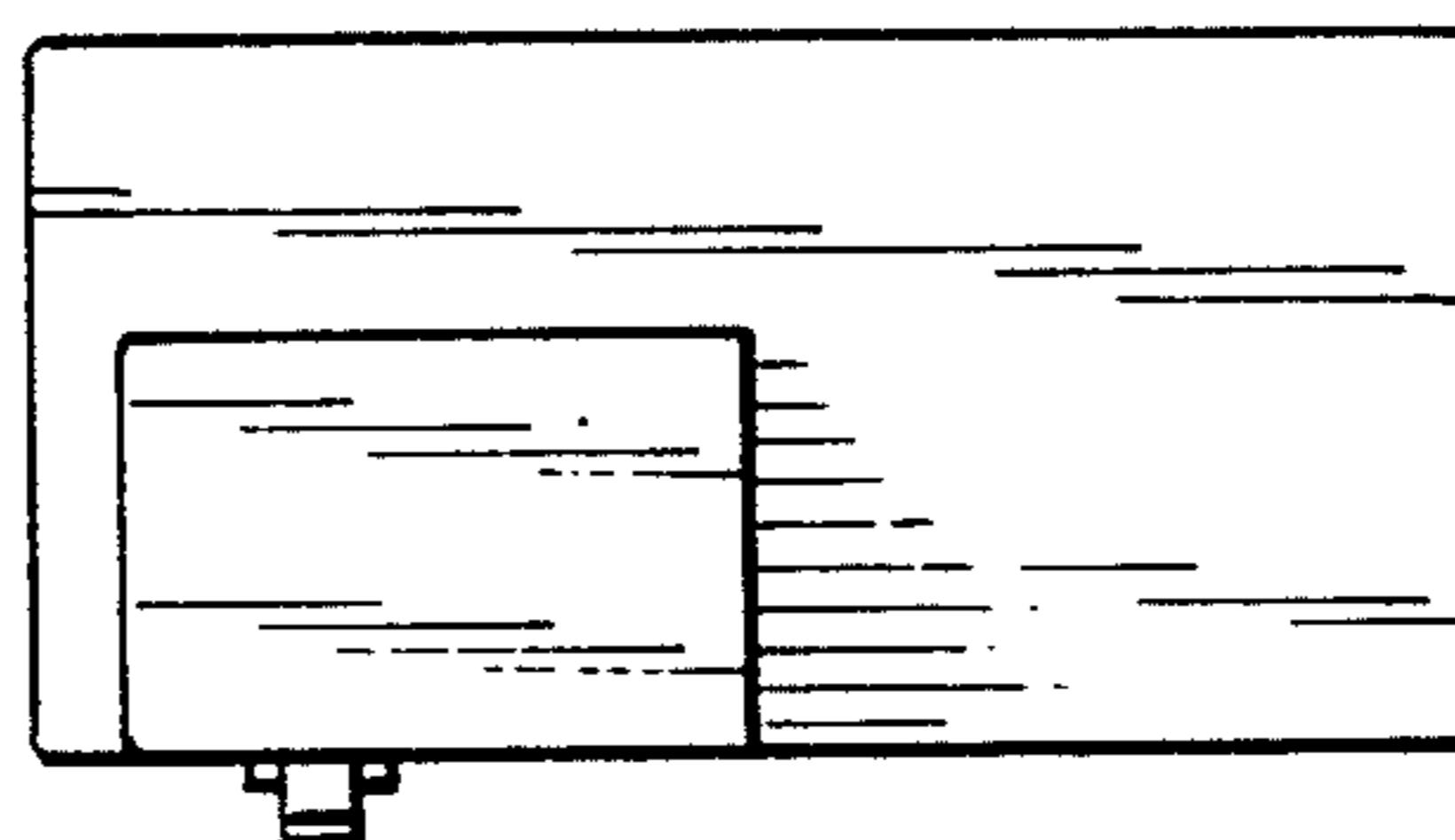


FIG. 7