

[54] **COMBINED TAPE CASSETTE PLAYER AND RADIO**

[76] **Inventor: Andrew Mark, 82 Sea Beach Dr., Stamford, Conn. 06902**

[**] **Term: 14 Years**

[21] **Appl. No.: 663,205**

[22] **Filed: Oct. 22, 1984**

Related U.S. Application Data

[63] **Continuation-in-part of Ser. No. 637,428, Aug. 3, 1984.**

[52] **U.S. Cl. D14/5; D14/70**

[58] **Field of Search D14/1, 2, 5, 6, 68, D14/69, 70, 71, 72, 73, 74, 75, 76; 455/344, 345, 346, 347, 350, 351**

[56] **References Cited**

U.S. PATENT DOCUMENTS

- D. 191,923 12/1961 Boldt D14/75
- D. 205,727 9/1966 Boldt D14/70
- D. 209,290 11/1967 Schreibel D14/2
- D. 244,799 6/1977 Kolwaite D14/70 X
- D. 256,013 7/1980 Culbertson D14/5
- D. 267,319 12/1982 Van De Ven D14/73
- D. 267,662 1/1983 Lambert et al. D14/6 X

Primary Examiner—George P. Word

Assistant Examiner—Theodore M. Shooman
Attorney, Agent, or Firm—Jerry A. Schulman; Ronald A. Sandler

[57] **CLAIM**

The ornamental design for a combined tape cassette player and radio, as shown and described.

DESCRIPTION

FIG. 1 is a top, front and left side perspective view of a combined tape cassette player and radio showing my new design;

FIG. 2 is a front elevational view thereof;

FIG. 3 is a right side elevational view thereof;

FIG. 4 is a left side elevational view thereof;

FIG. 5 is a rear elevational view thereof;

FIG. 6 is a bottom plan view thereof;

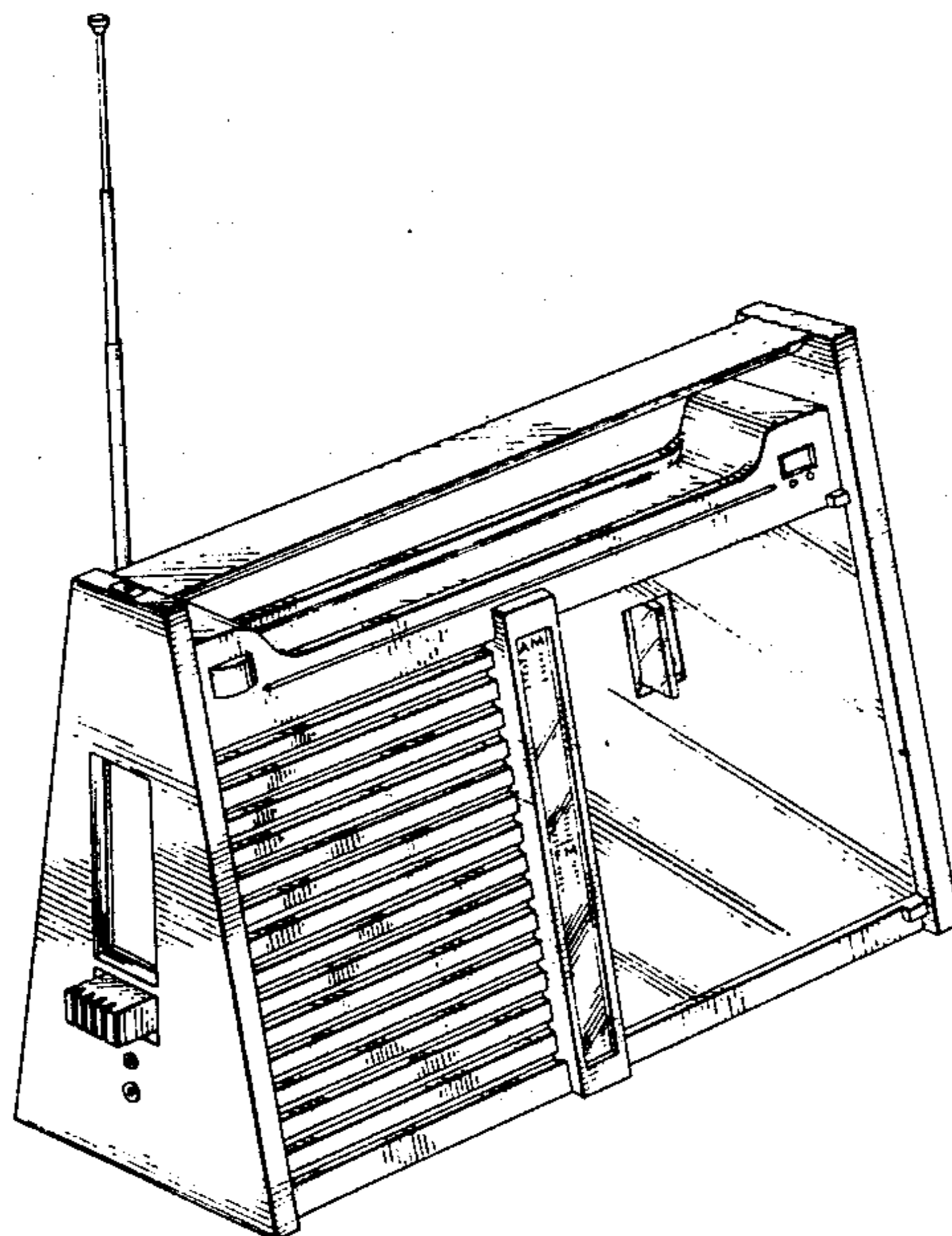
FIG. 7 is a top plan view thereof;

FIG. 8 is a front elevational view thereof, shown with the door panel in an open position;

FIG. 9 is a fragmented partial front elevational view of a second embodiment of the combined tape cassette player and radio illustrated in FIG. 1 wherein the only difference is in the addition of the strap shown;

FIG. 10 is a partial right side elevational view of the embodiment disclosed in FIG. 9; and

FIG. 11 is a partial left side elevational view of the embodiment disclosed in FIG. 9.



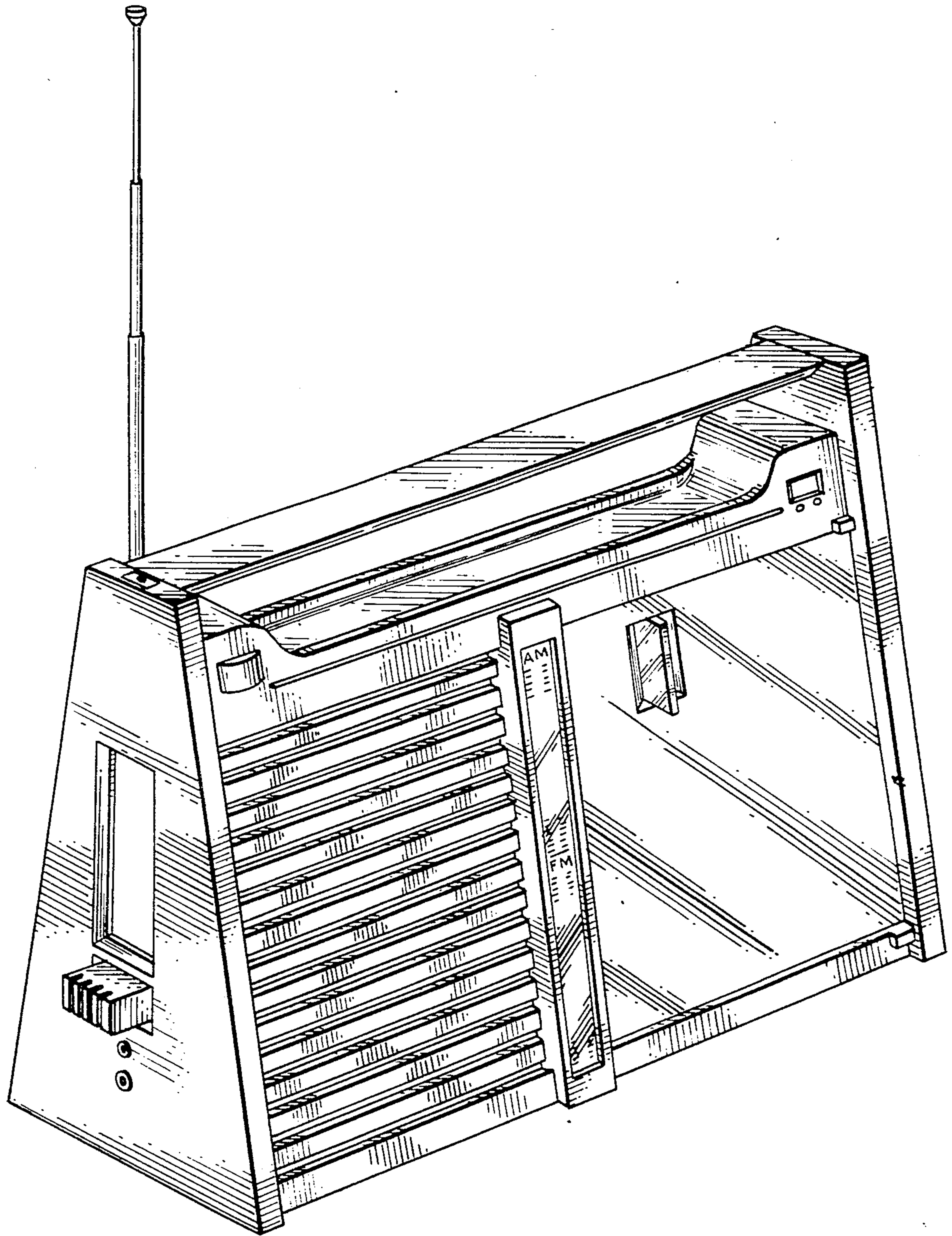


FIG. 1

FIG. 3

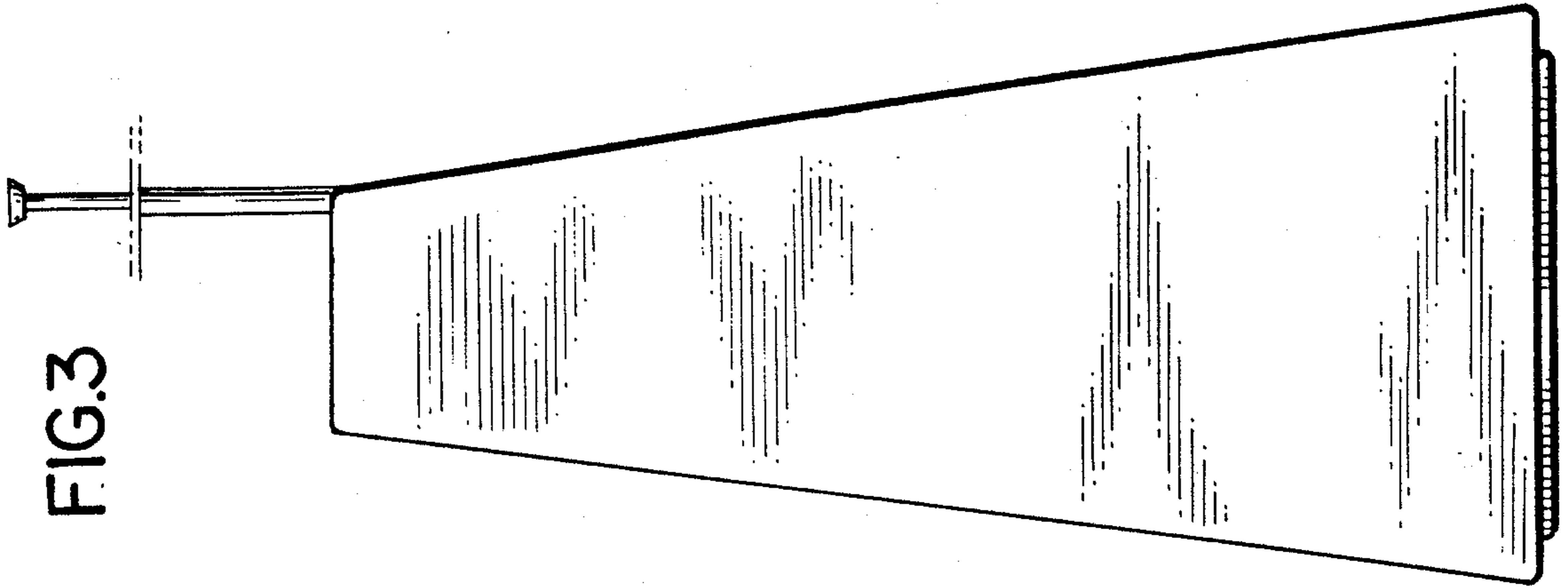
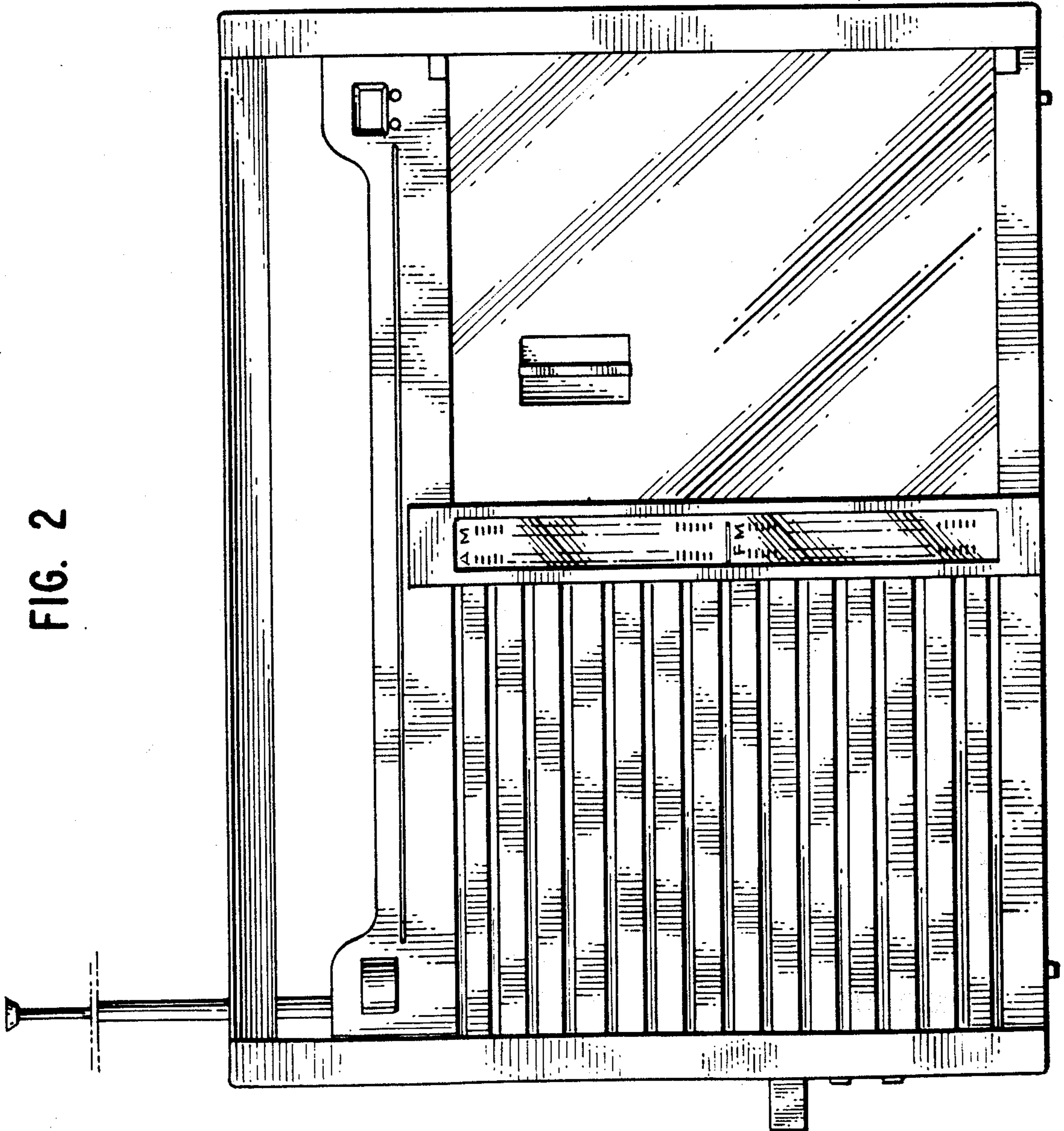


FIG. 2



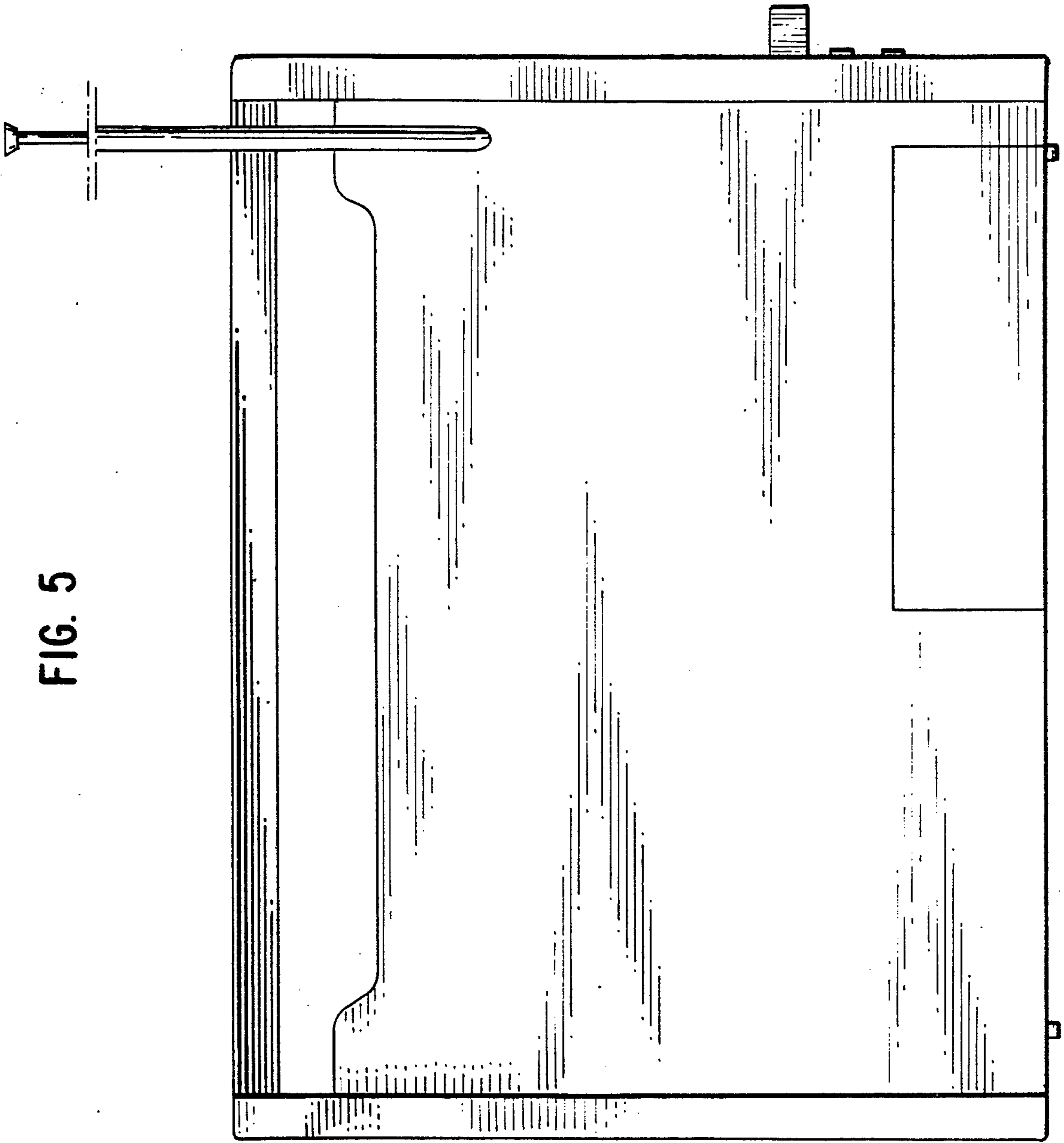


FIG. 5

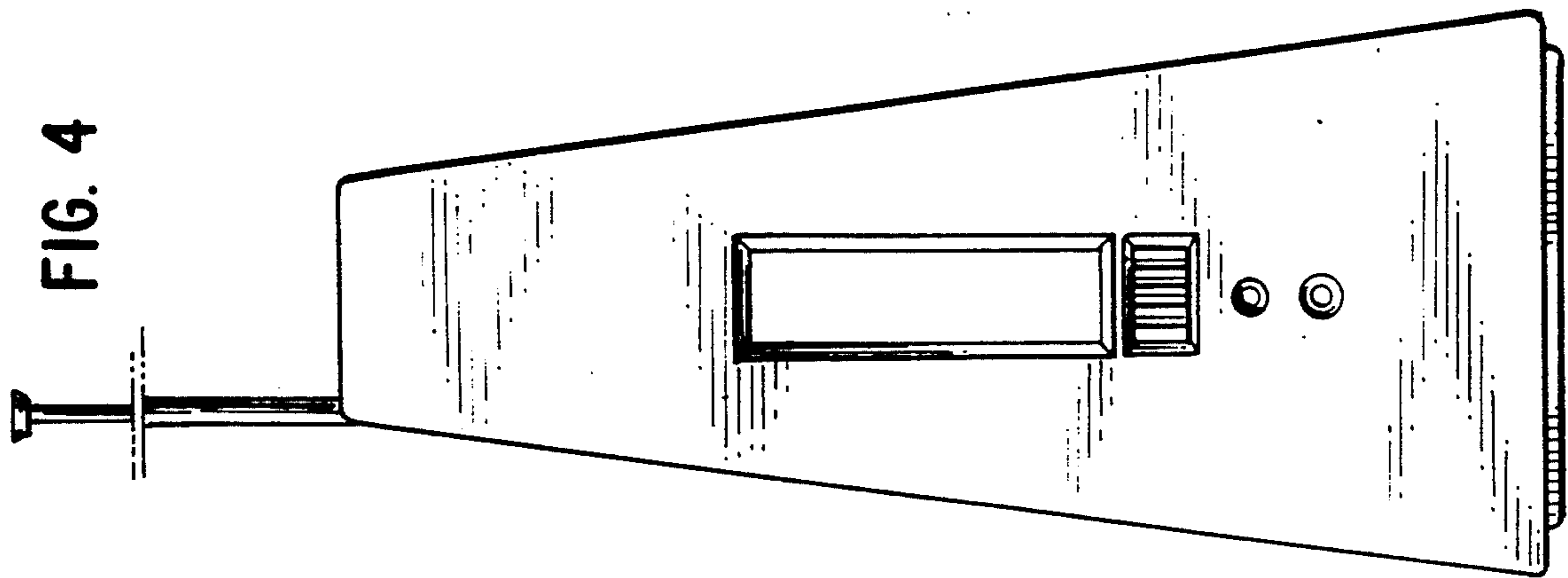


FIG. 4

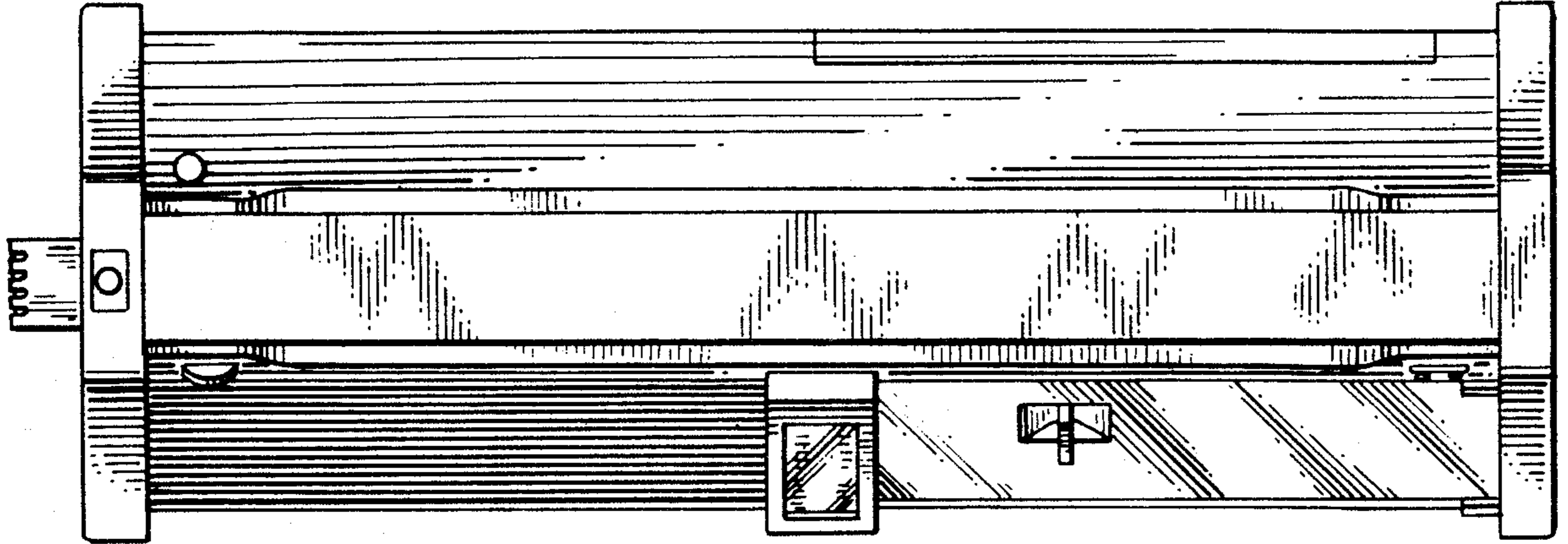


FIG. 7

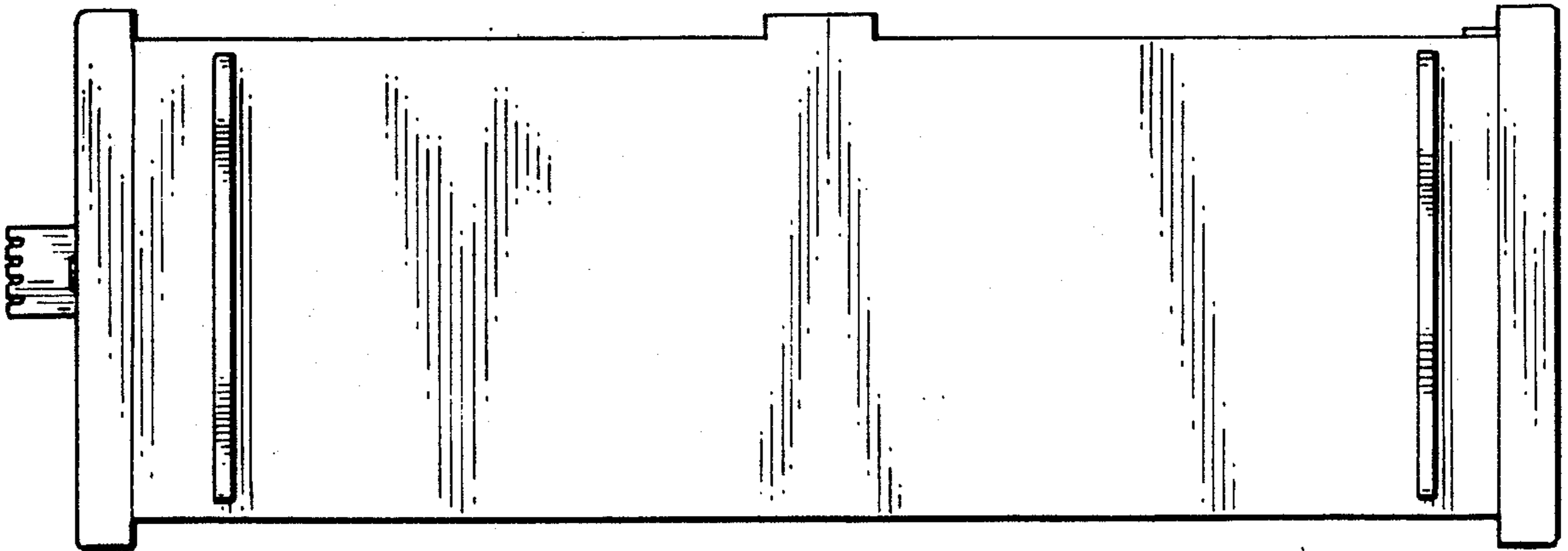


FIG. 6

FIG. 8

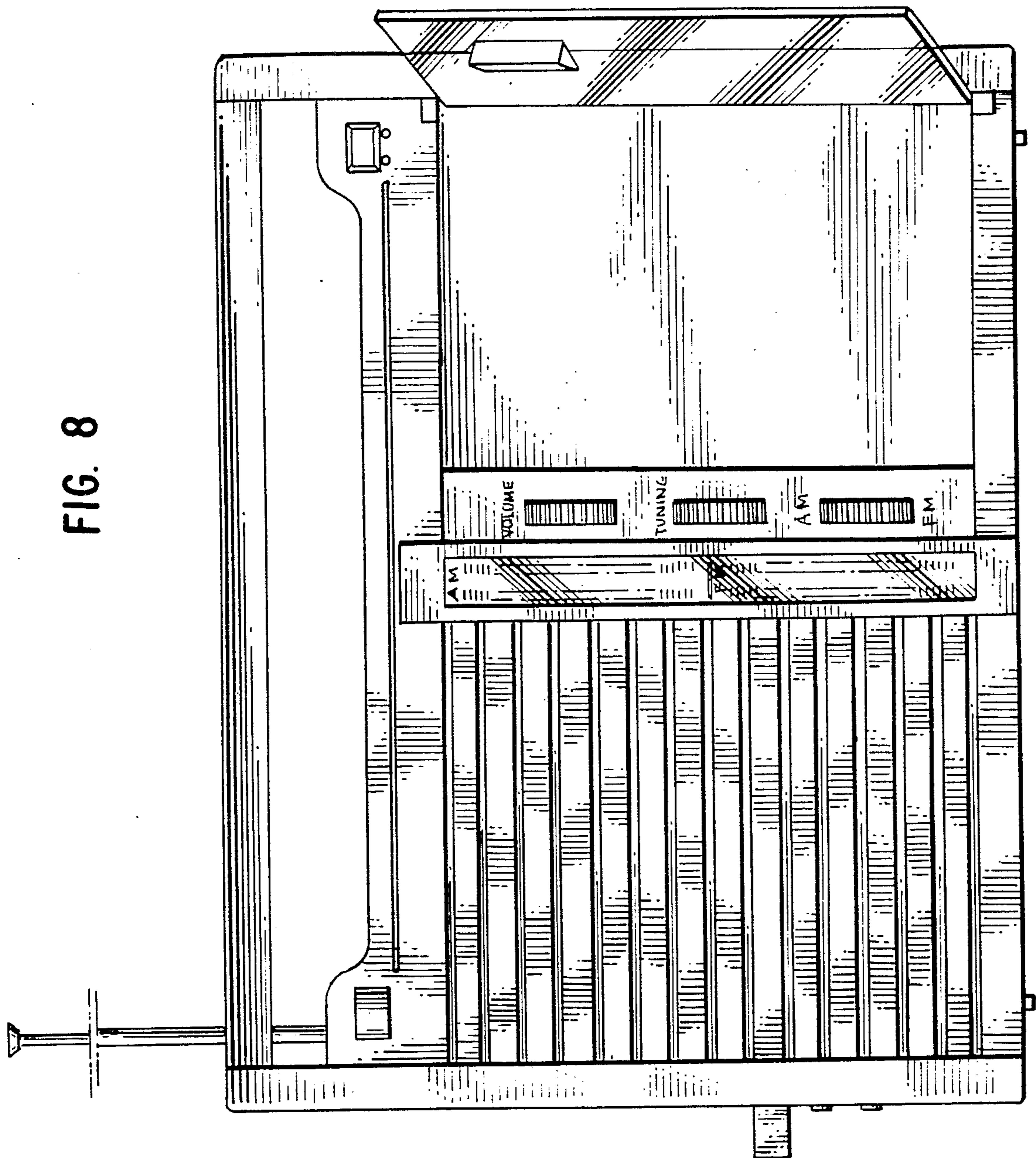


FIG. 9

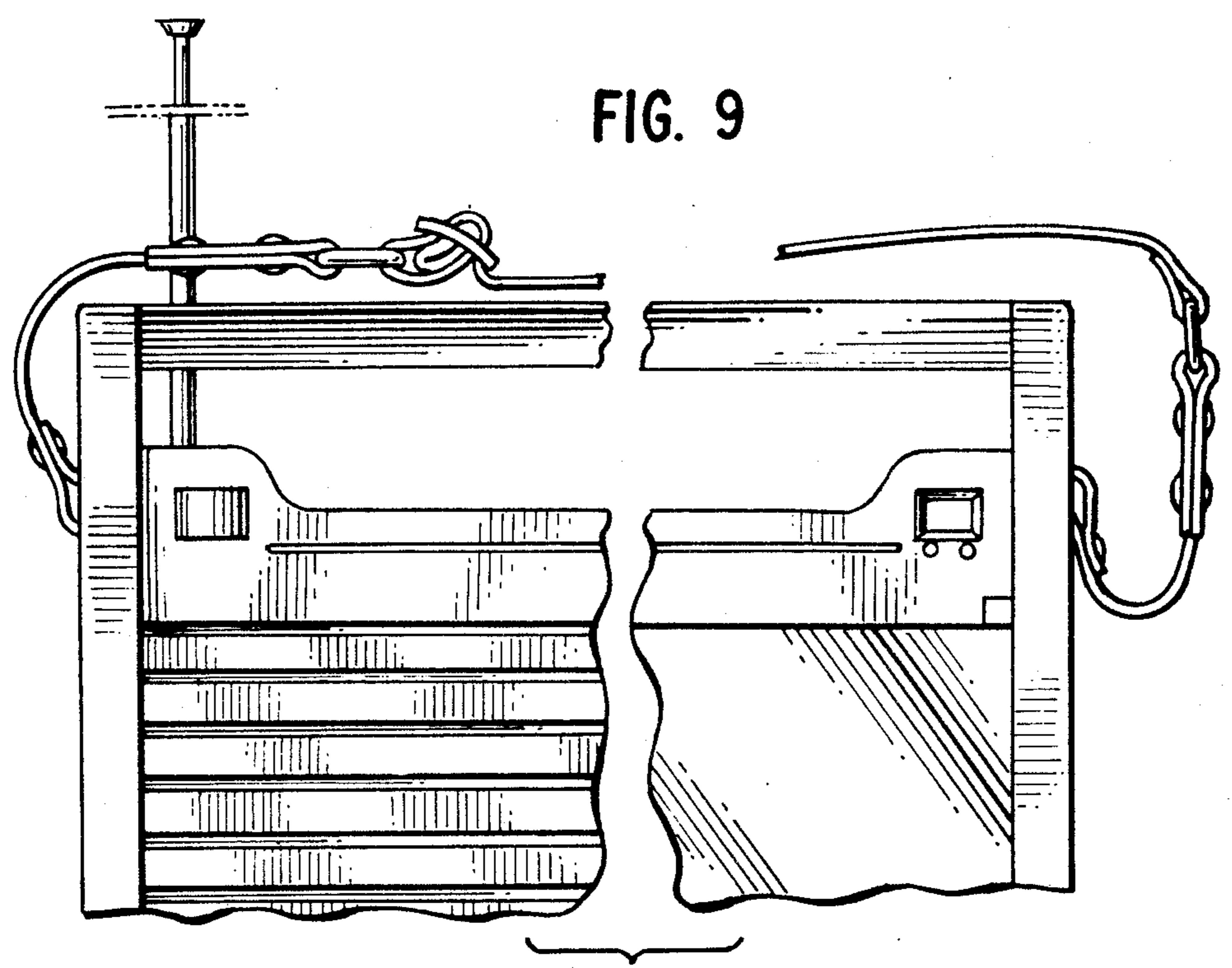


FIG. 10

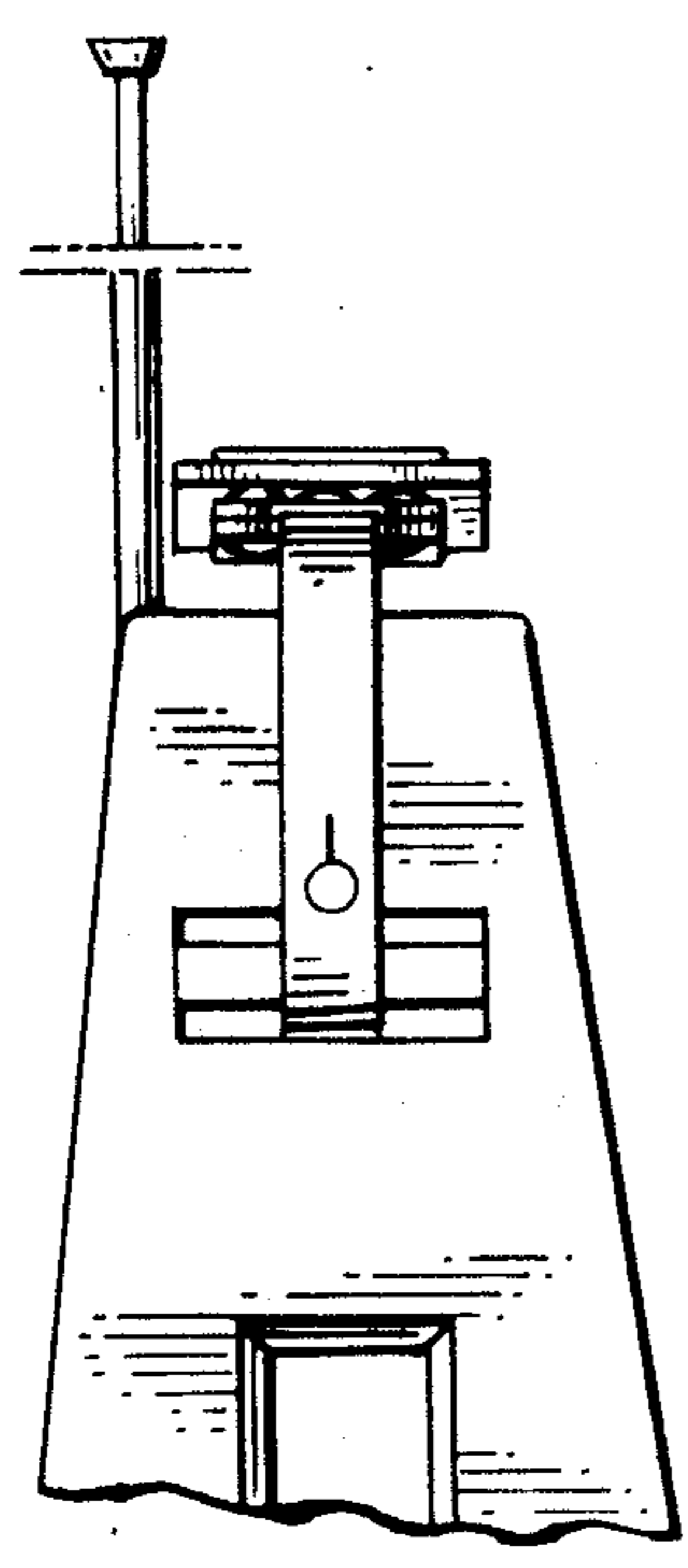


FIG. 11

