

[54] **ELECTRICAL PLUG FOR IV INSTRUMENT**

- [75] Inventor: **Stephen H. O'Leary**, Encinitas, Calif.
[73] Assignee: **Ivac Corporation**, San Diego, Calif.
[**] Term: **14 Years**
[21] Appl. No.: **680,895**
[22] Filed: **Dec. 12, 1984**
[52] U.S. Cl. **D13/28**
[58] **Field of Search** **D13/11, 24-31;**
337/197, 198; 339/186 R, 186 T, 186 M, 108 R,
196 M, 196 R, 196 A, 113 R; D24/25, 29, 52,
53, 61

[56] **References Cited**

U.S. PATENT DOCUMENTS

- D. 188,419 7/1960 Danesi D13/24
3,274,531 9/1966 Bourhenne 339/186 R
3,611,261 10/1971 Gregory 339/113 R
3,794,961 2/1974 Bailey et al. 339/108 R

FOREIGN PATENT DOCUMENTS

- 179272 5/1962 Sweden 339/196 A

OTHER PUBLICATIONS

NKT of Copenhagen Denmark, Advertising Brochure, Female Plug #3, Model NKT006.

Primary Examiner—Susan J. Lucas
Assistant Examiner—C. E. Heflin
Attorney, Agent, or Firm—Fulwider Patton Rieber Lee & Utecht

[57] **CLAIM**

The ornamental design for an electrical plug for IV instrument, as shown and described.

DESCRIPTION

FIG. 1 is a right side perspective view of the electrical plug for IV instrument showing my new design; FIG. 2 is a front elevational view thereof; FIG. 3 is a top plan view thereof; FIG. 4 is a left side elevational view thereof; FIG. 5 is a bottom plan view thereof; and FIG. 6 is a rear elevational view thereof. The broken line showing of the electrical cord in FIGS. 1, 3, 4 and 5 and the electrical contacts in FIGS. 1 and 2 is for illustrative purposes only and forms no part of the claimed design.

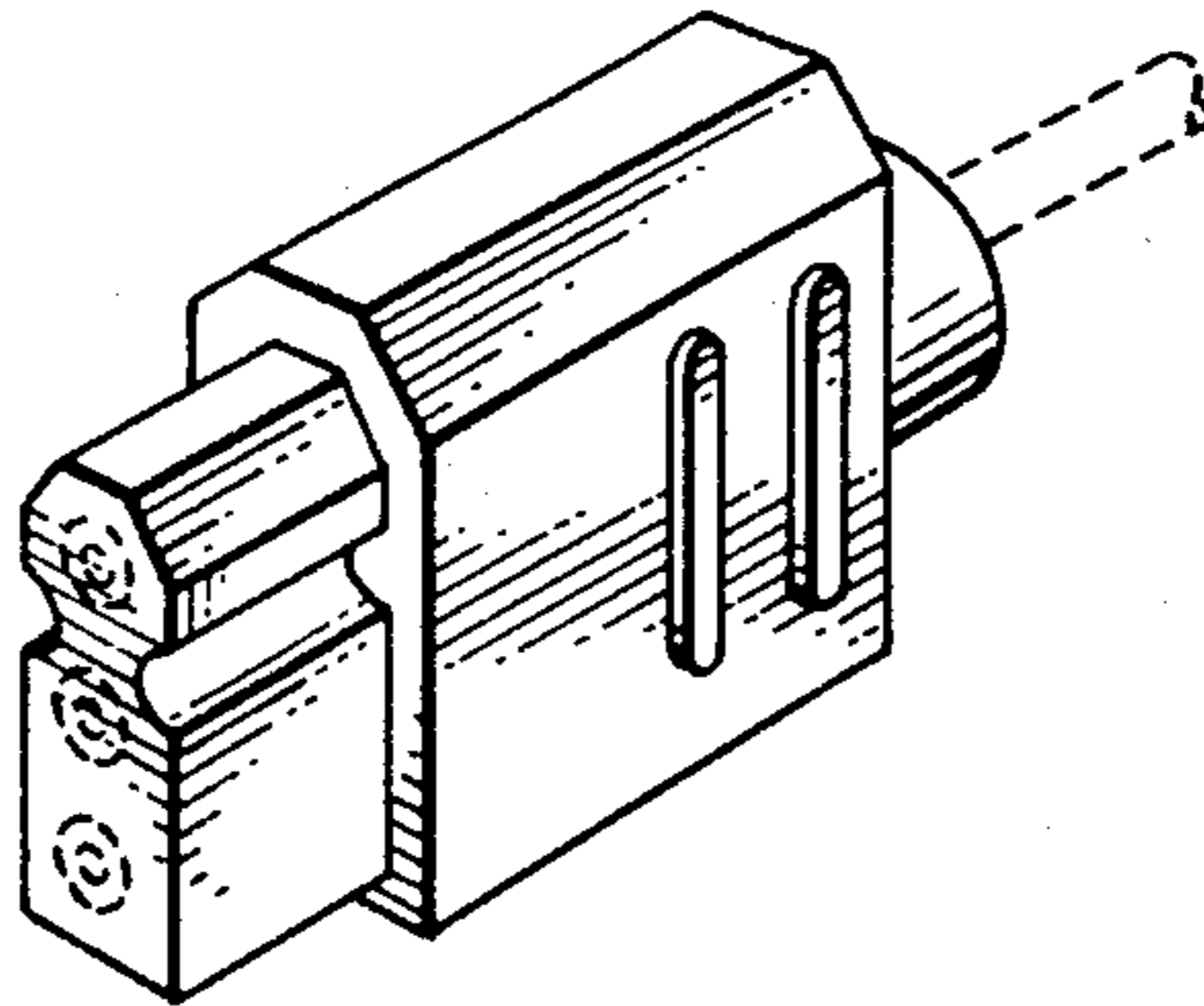


Fig. 1

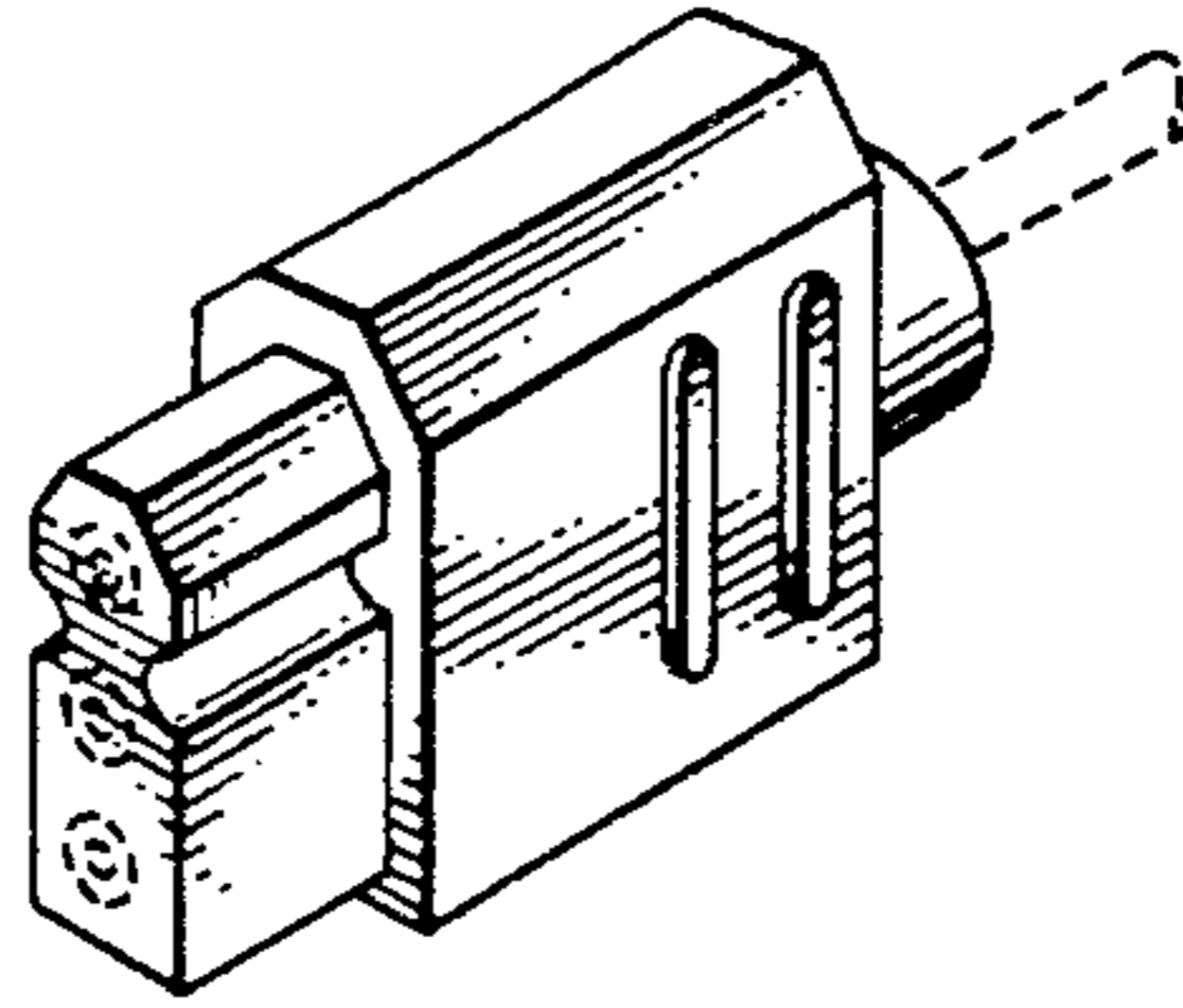


Fig. 3



Fig. 2

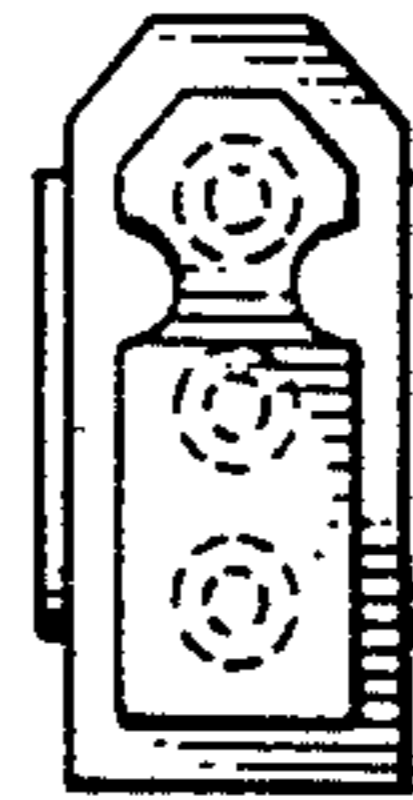


Fig. 4

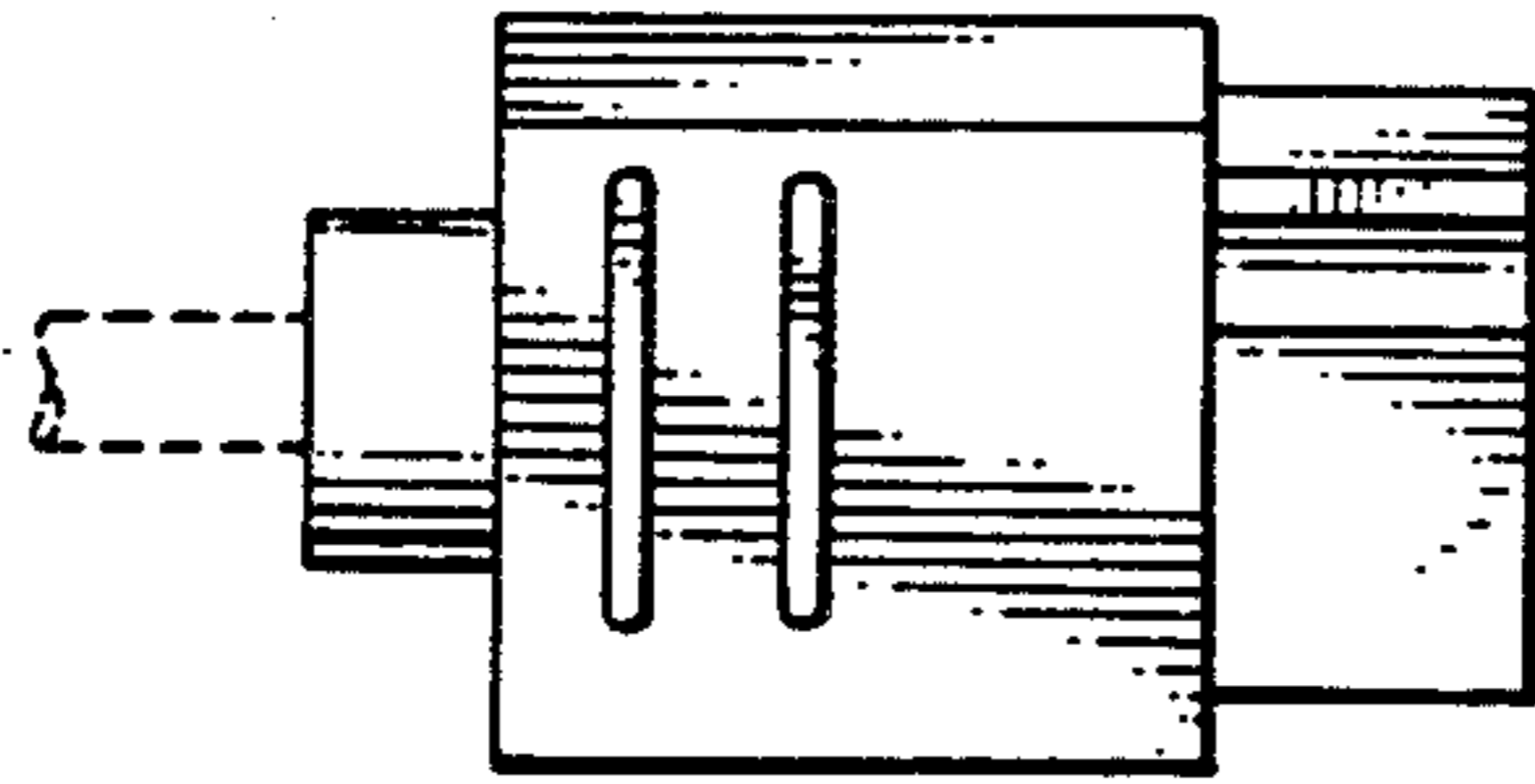


Fig. 6



Fig. 5

