

[54] TRANSFORMER

[75] Inventors: Peter Burgher, Utica; John Boomer, Howell, both of Mich.

[73] Assignee: Marelco Power Systems, Inc., Howell, Mich.

[**] Term: 14 Years

[21] Appl. No.: 656,878

[22] Filed: Oct. 2, 1984

Related U.S. Application Data

[63] Continuation-in-part of Ser. No. 565,597, Dec. 27, 1983, abandoned.

[52] U.S. Cl. D13/4

[58] Field of Search D13/4-6, D13/8-10, 12-13, 24; 336/133-134, 178, 210, 65-67, 83, 90-92, 98

References Cited

U.S. PATENT DOCUMENTS

D. 202,045 8/1965 Oberlin D13/4
3,355,689 11/1967 Paddison et al. 336/134

3,535,665 10/1970 Belanger 336/178
4,009,460 2/1977 Fukui et al. 336/178

OTHER PUBLICATIONS

Allied Electronics, 1975 Engineering Manual & Purchasing Guide, No. 750, p. 242, Transformers (top right).

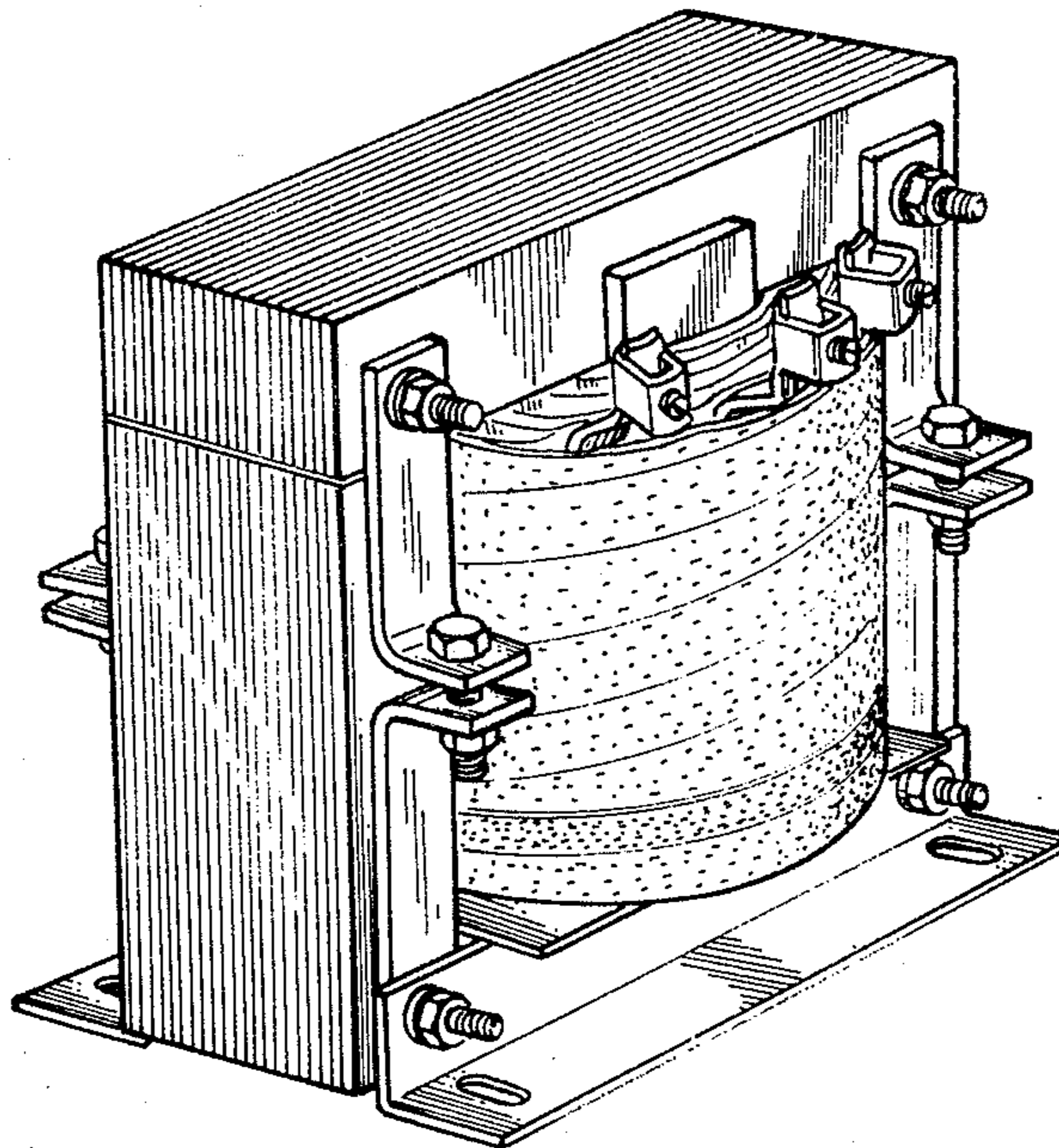
Primary Examiner—Wallace R. Burke
Assistant Examiner—Ruth E. Takemoto
Attorney, Agent, or Firm—Gifford, Groh, VanOphem, Sheridan, Sprinkle and Dolgorukov

[57] CLAIM

The ornamental design for transformer, substantially as shown.

DESCRIPTION

FIG. 1 is a perspective view of a transformer showing our new design;
FIG. 2 is a top plan view thereof;
FIG. 3 is a left side elevational view thereof;
FIG. 4 is a right side elevational view thereof;
FIG. 5 is a front elevational view thereof;
FIG. 6 is a rear elevational view thereof; and
FIG. 7 is a bottom plan view thereof.



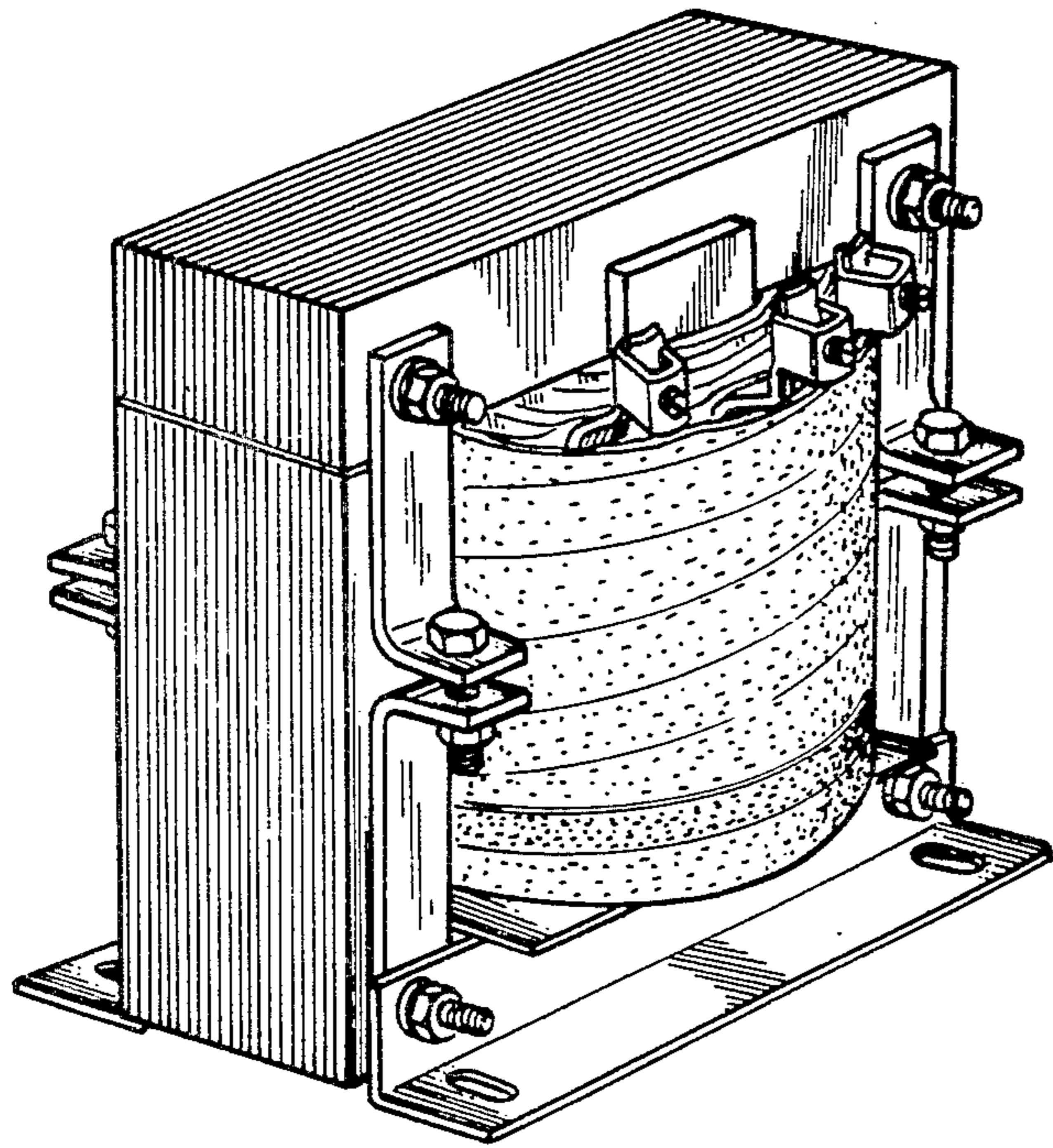


Fig-1

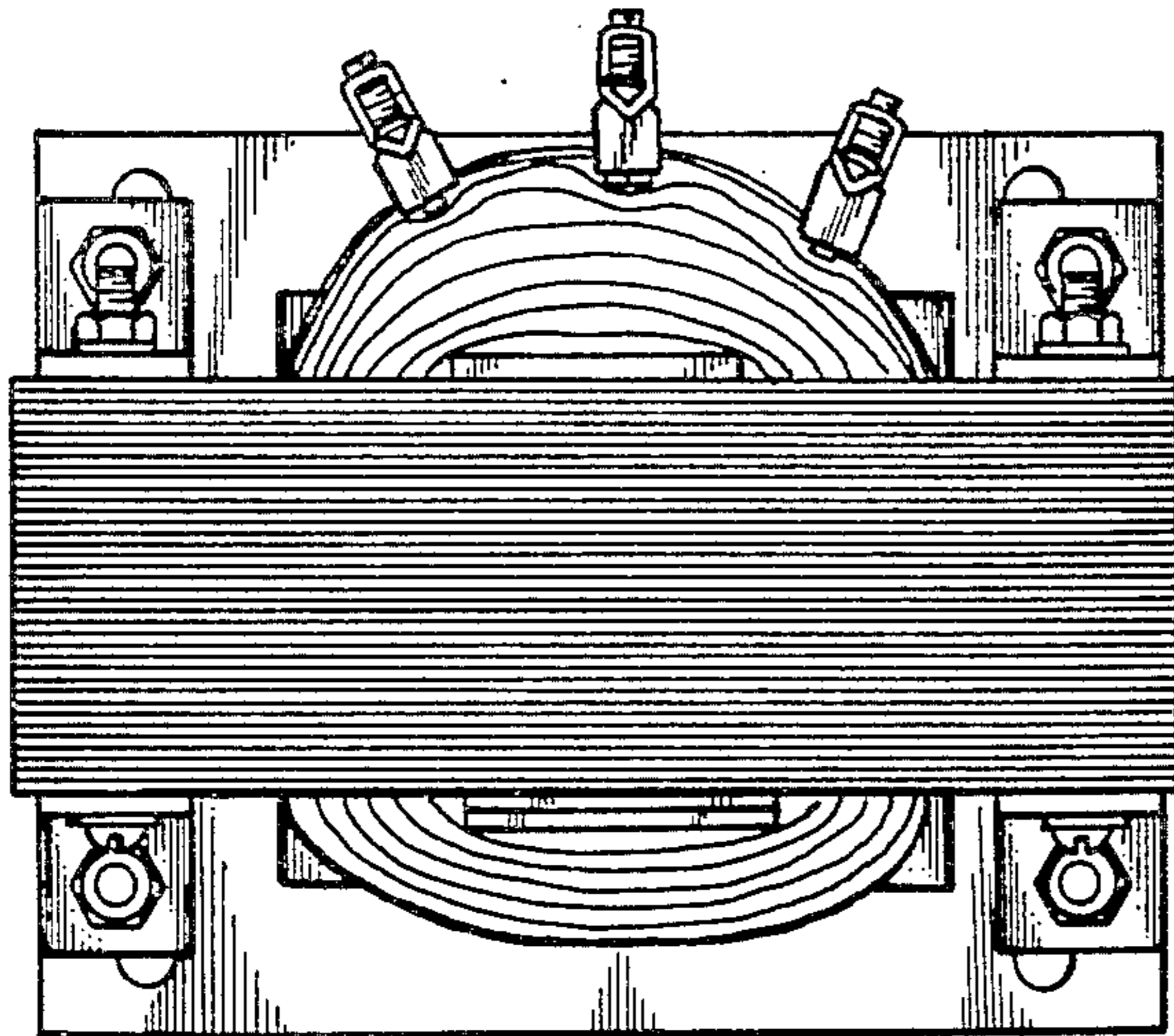


Fig-2

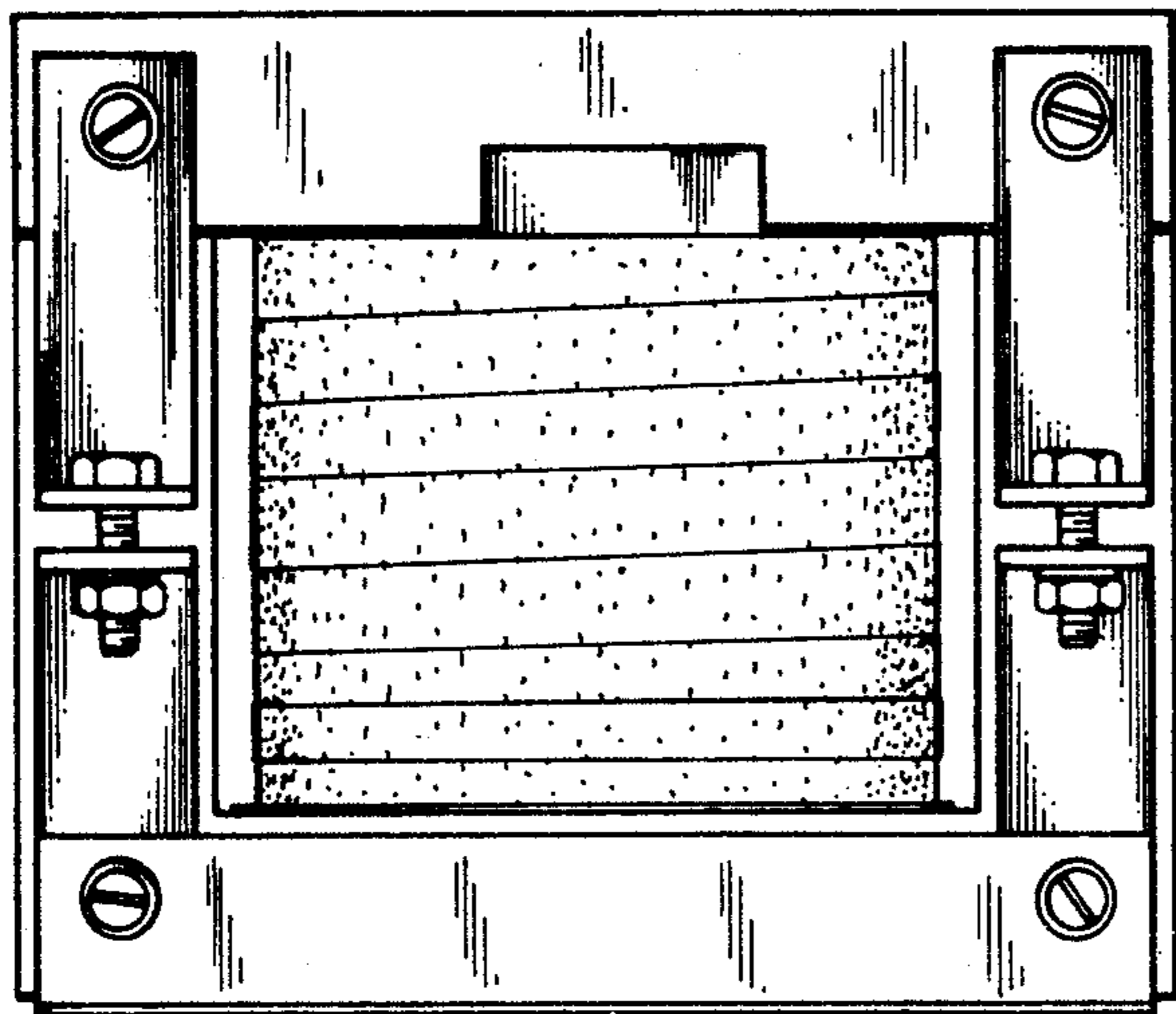


Fig-3

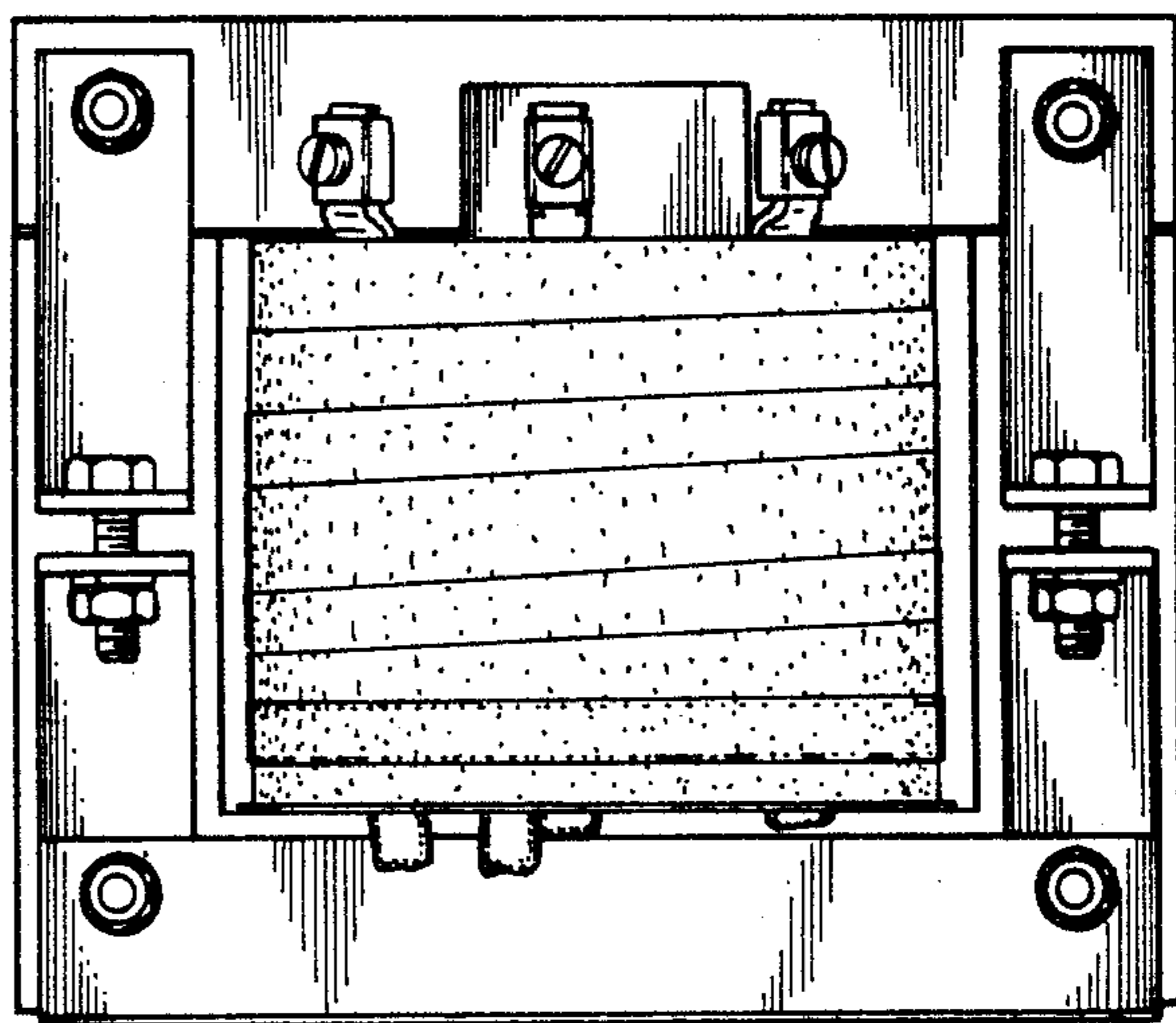


Fig-4

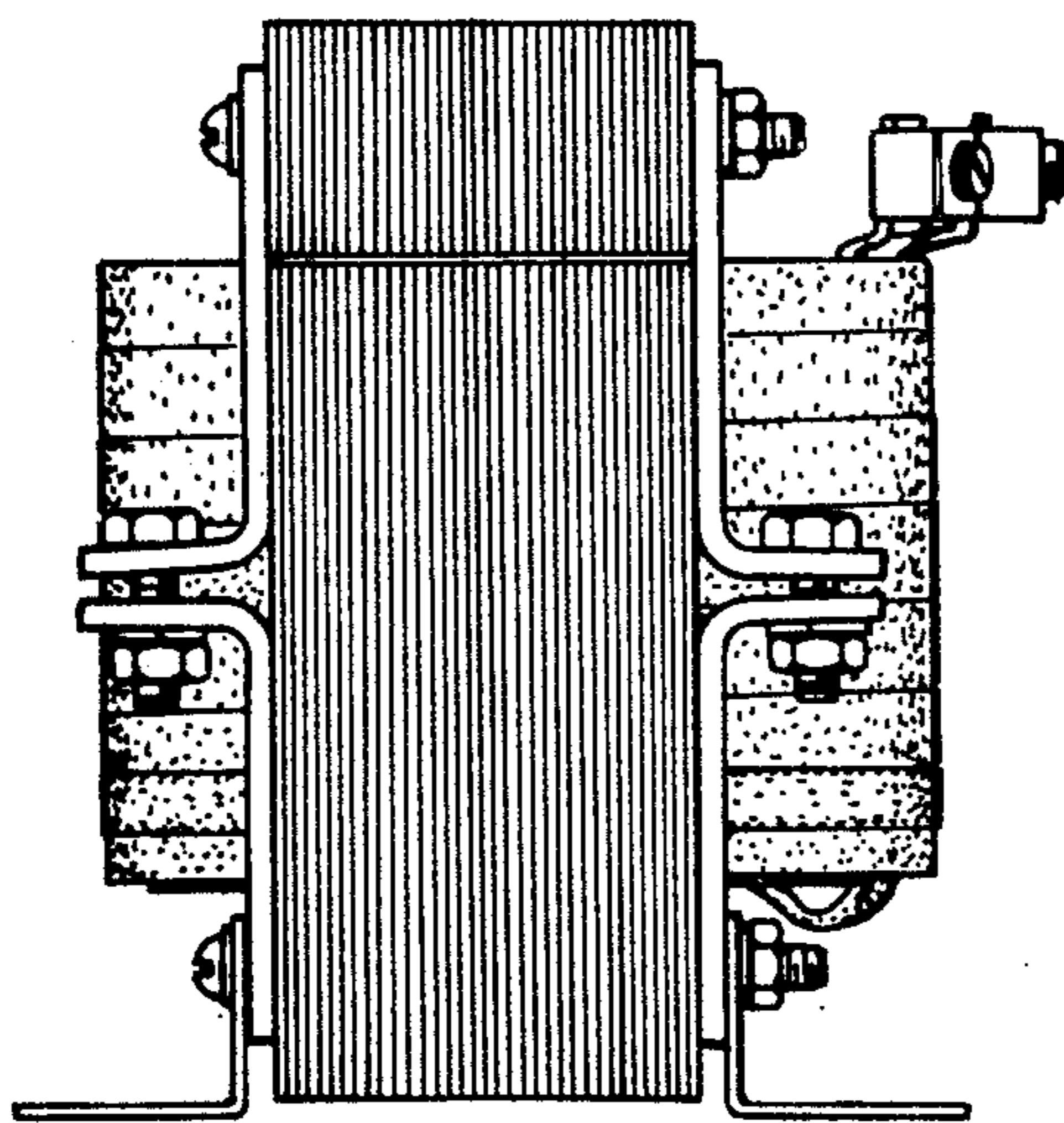


Fig-5

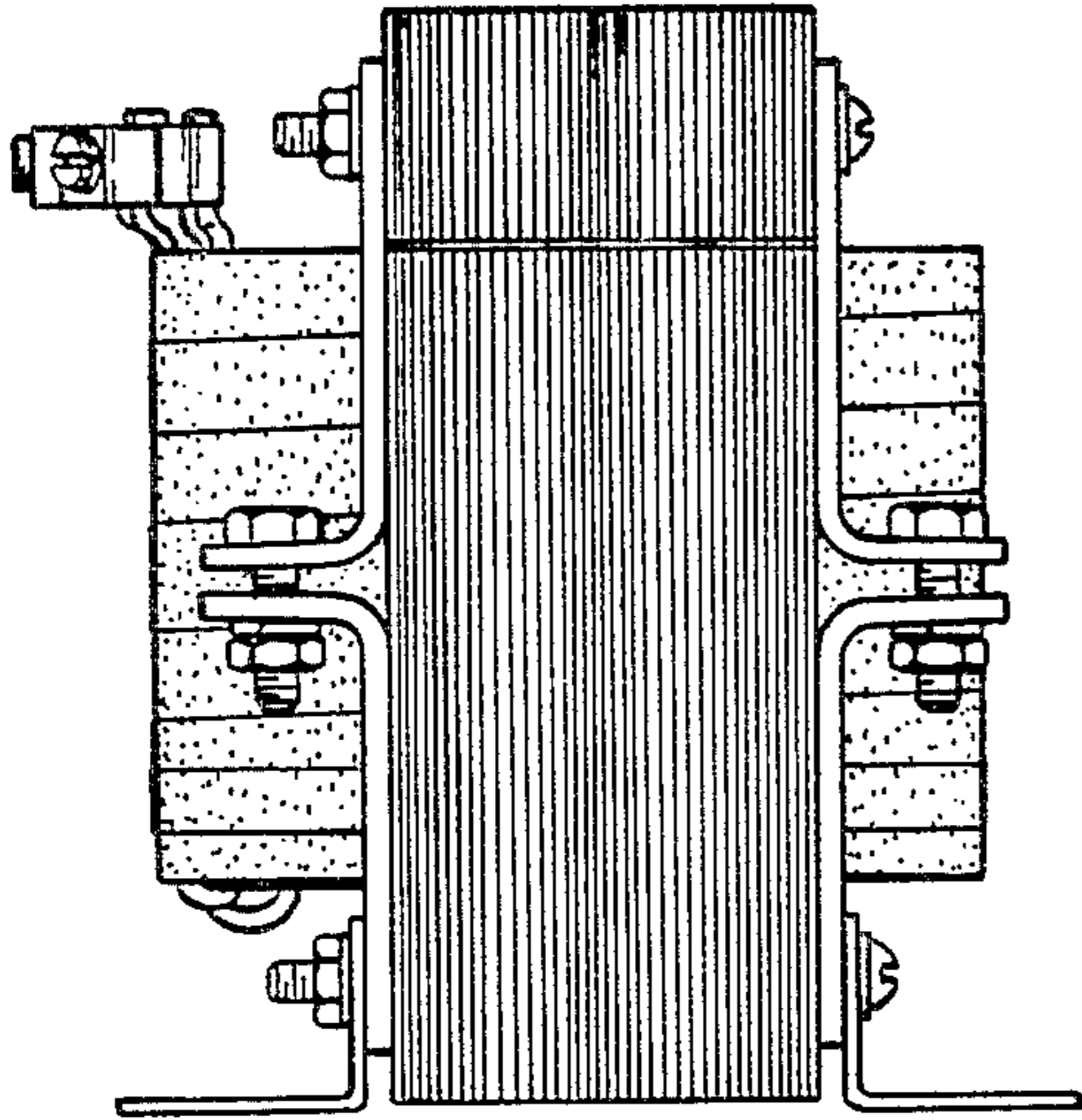


Fig-6

Fig-7

