

[54] COMBINED SPOILER AND STOP LAMP

[75] Inventors: Daniel T. Konen, East Detroit; John R. Schinella, Birmingham, both of Mich.

[73] Assignee: General Motors Corporation, Detroit, Mich.

[**] Term: 14 Years

[21] Appl. No.: 792,109

[22] Filed: Oct. 28, 1985

[52] U.S. Cl. D12/181; D26/34

[58] Field of Search D26/28-36; 362/61, 80-83; D12/181; 296/1.5, 91

[56] References Cited

U.S. PATENT DOCUMENTS

1,507,702 9/1924 Harris 362/82

OTHER PUBLICATIONS

Road & Track, 2/84, p. 32, Rear Spoiler of Mercedes Benz 500, Sec. 5.6, center left side of page.

Primary Examiner—James M. Gandy

Attorney, Agent, or Firm—Herbert Furman

[57] CLAIM

The ornamental design for a combined spoiler and stop lamp, as shown and described.

DESCRIPTION

FIG. 1 is a perspective view of a combined spoiler and stop lamp showing our new design.

FIG. 2 is a top plan view.

FIG. 3 is an rear elevational view.

FIG. 4 is an enlarged side elevational view.

FIG. 5 is an enlarged sectional view taken along line 5—5 of FIG. 3, and

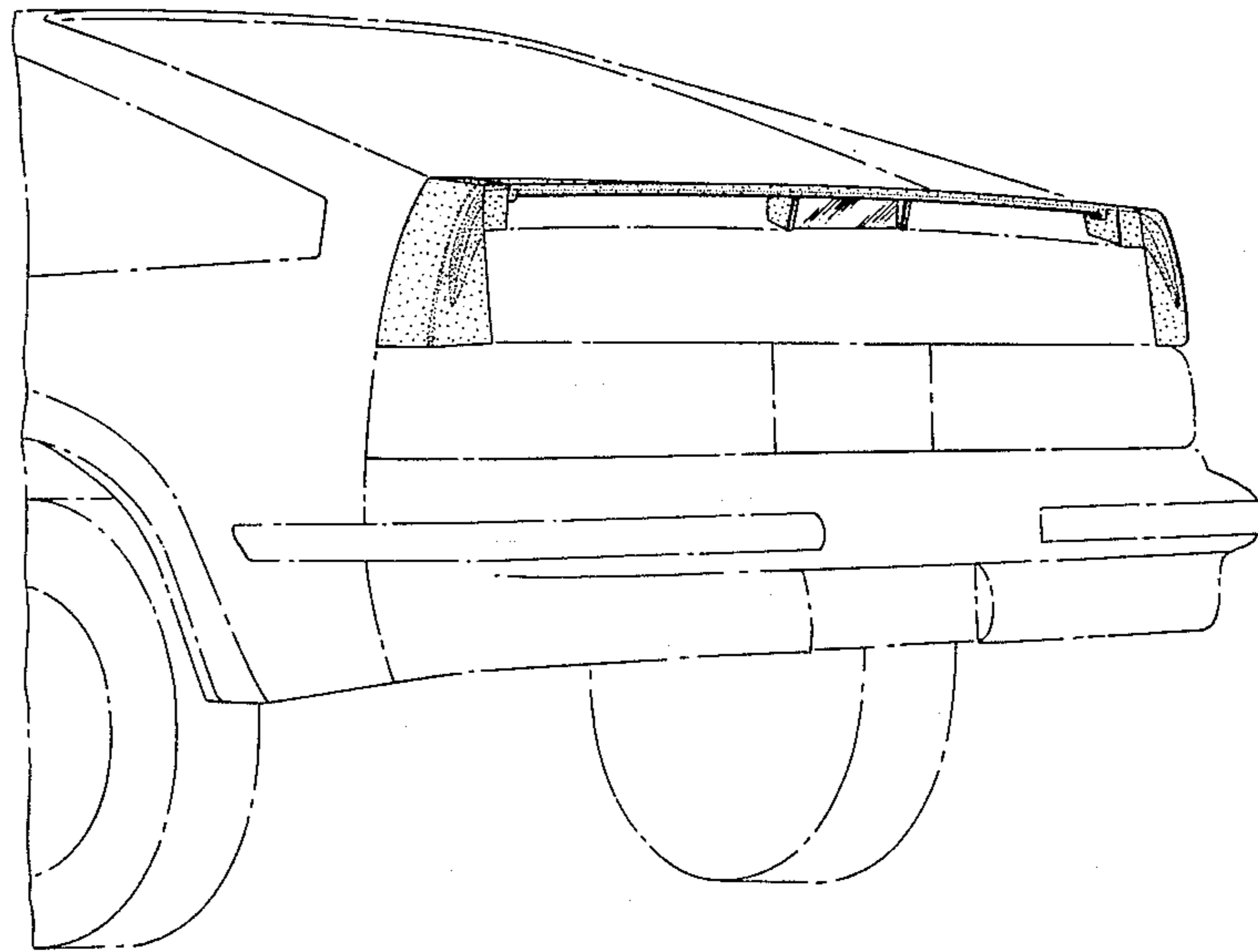
FIG. 6 is an enlarged sectional view taken along line 6—6 of FIG. 3.

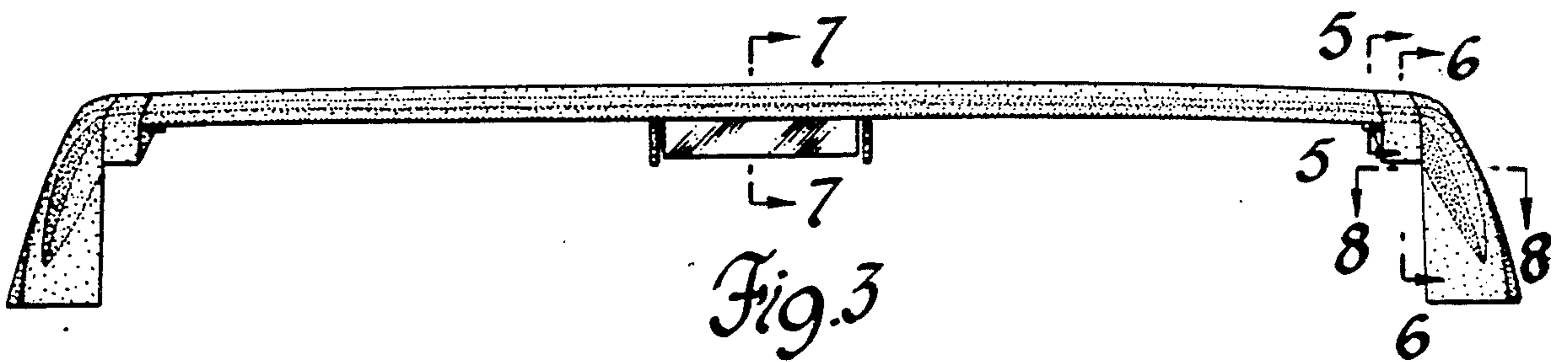
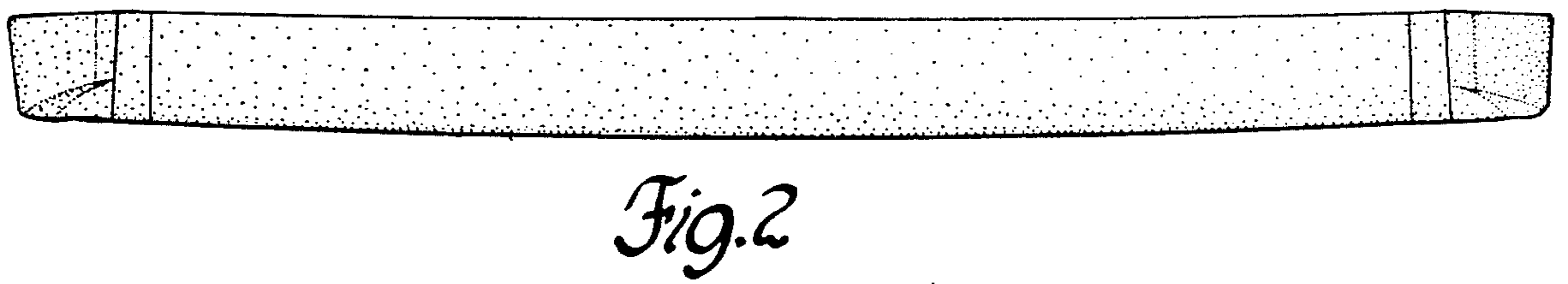
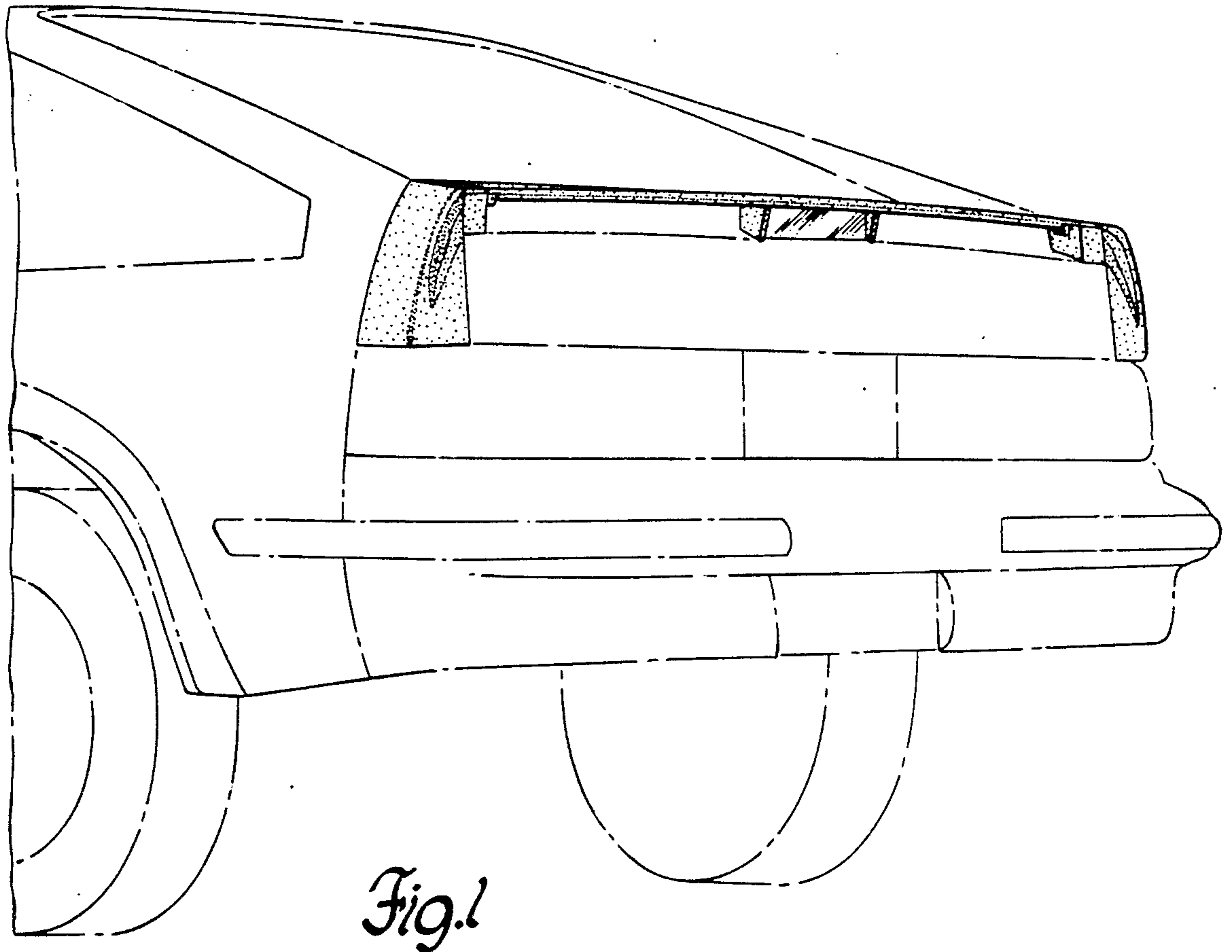
FIG. 7 is an enlarged sectional view taken along line 7—7 of FIG. 3.

FIG. 8 is an enlarged sectional view taken along line 8—8 of FIG. 3, and

FIG. 9 is an enlarged fragmentary rear elevational view of the right end portion of FIG. 3.

The portions of the automobile shown in FIG. 1 in dash lines are for illustrative purposes only and form no part of the claimed design.





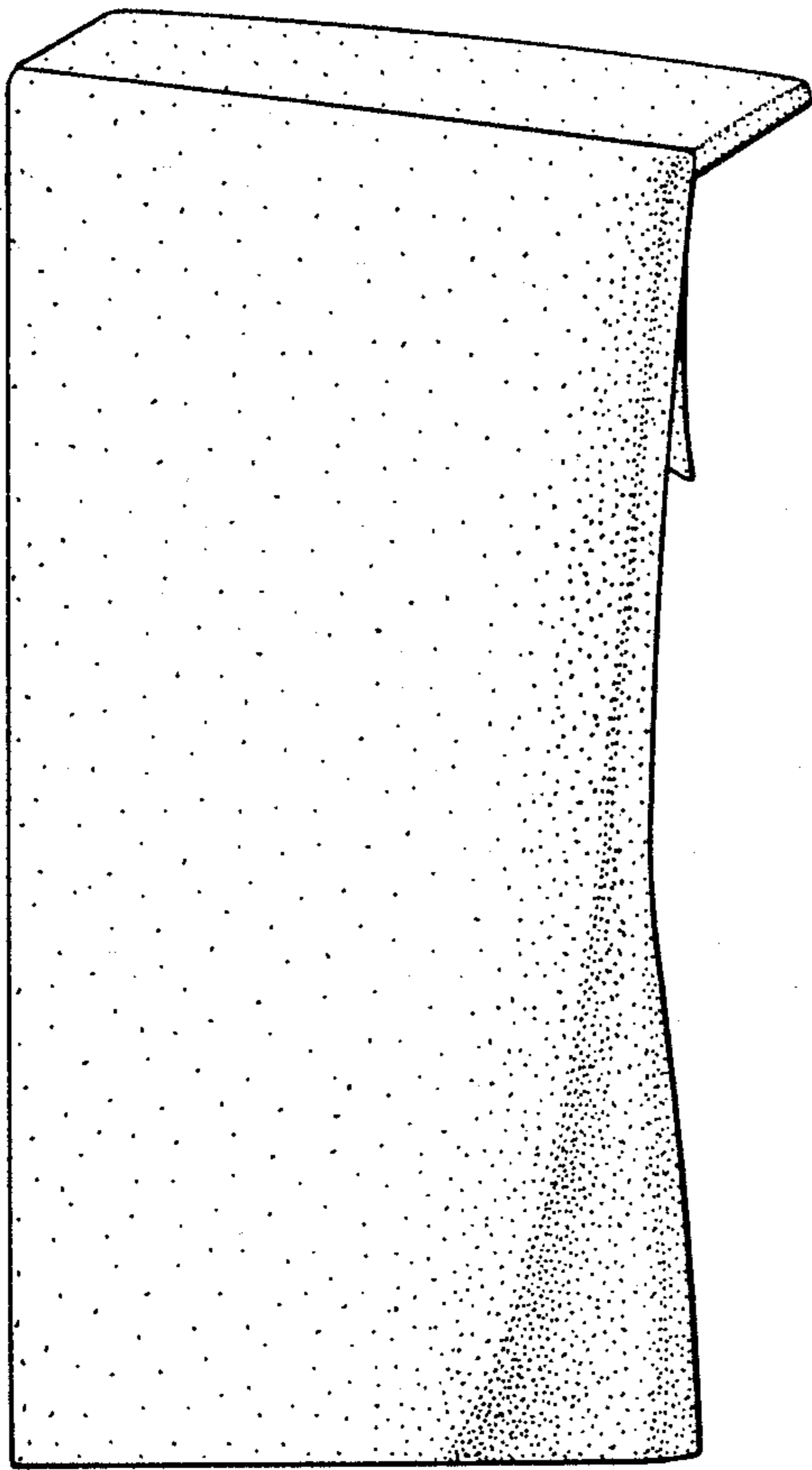


Fig. 4

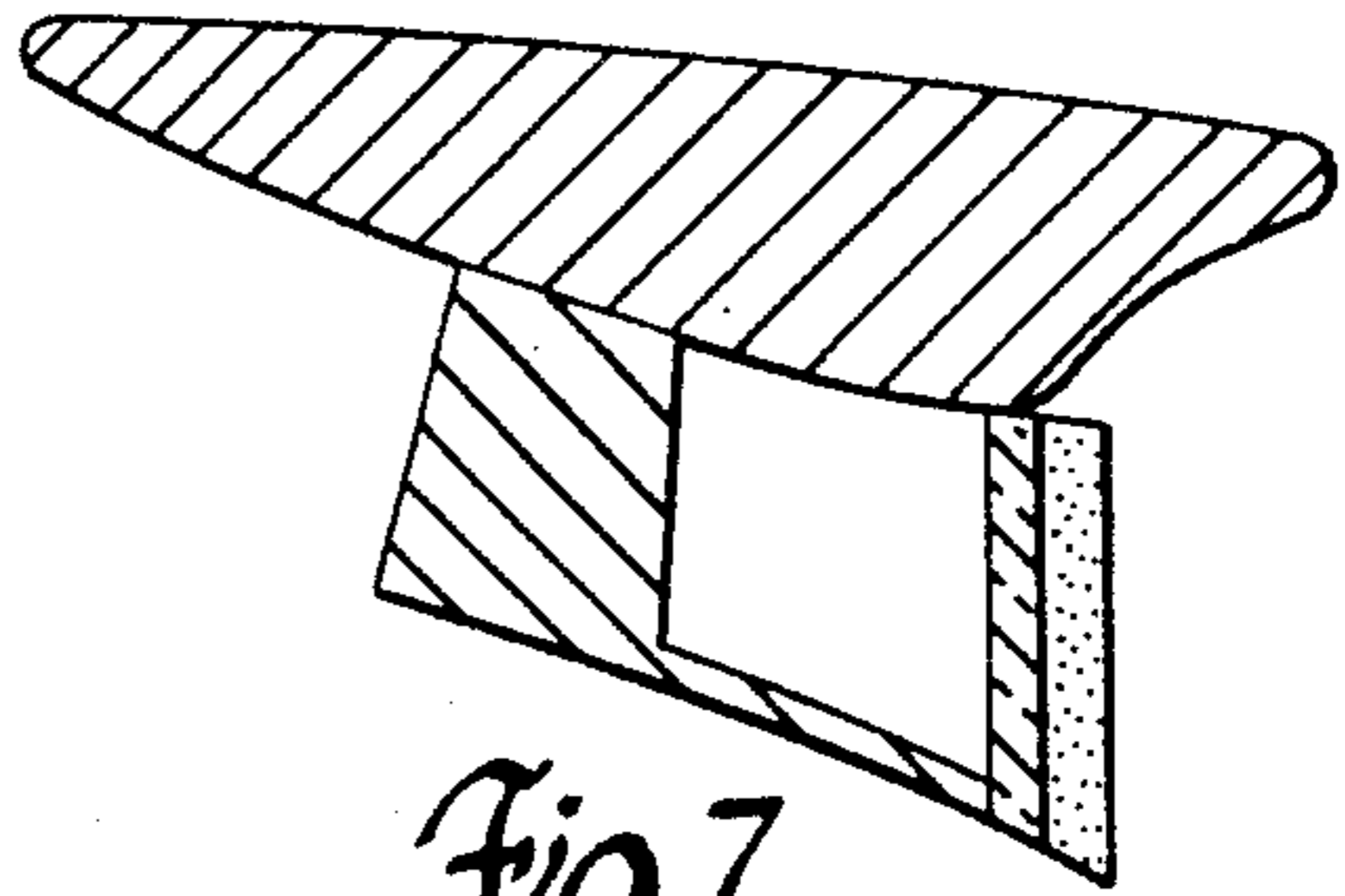


Fig. 7

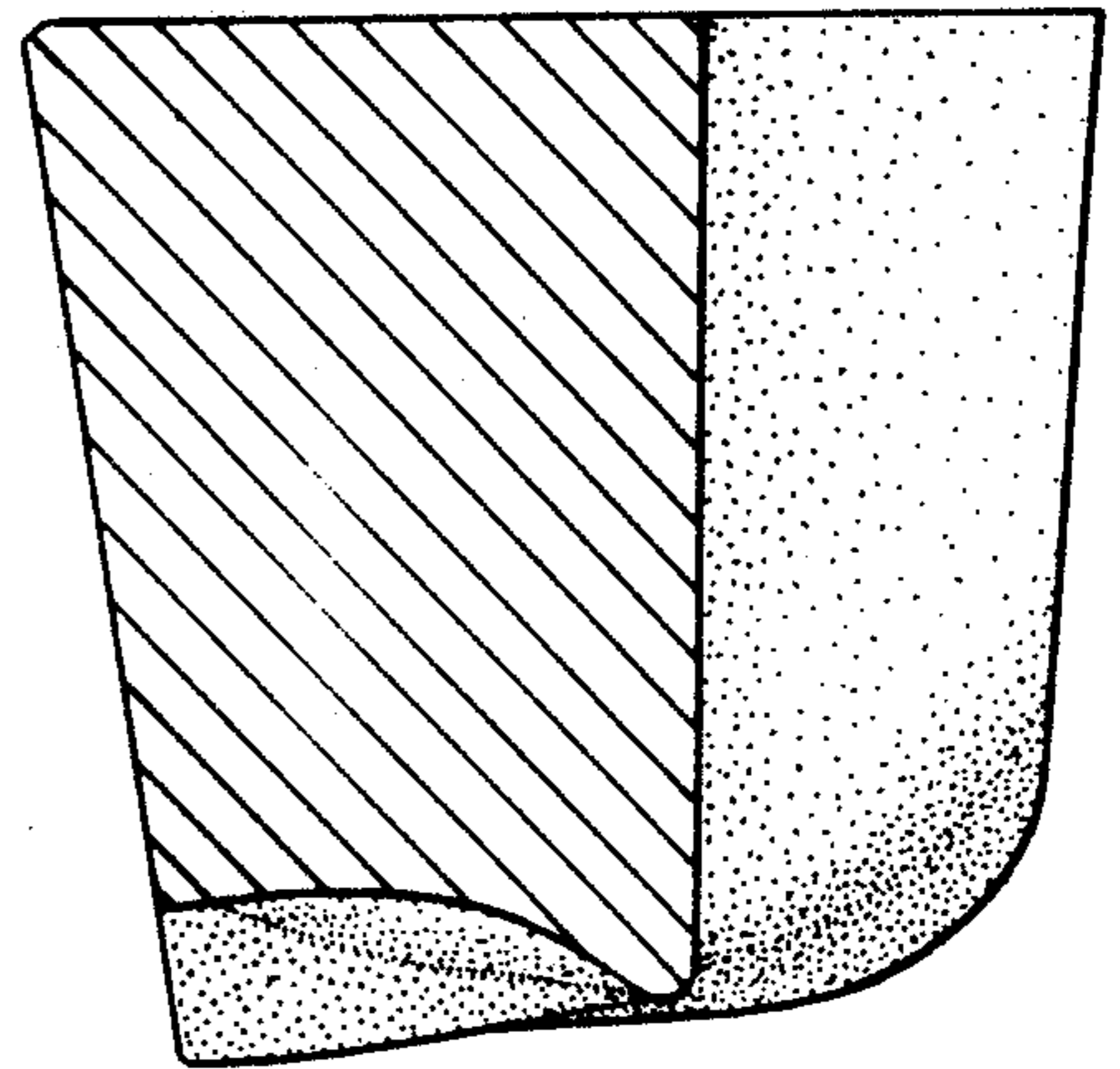


Fig. 8

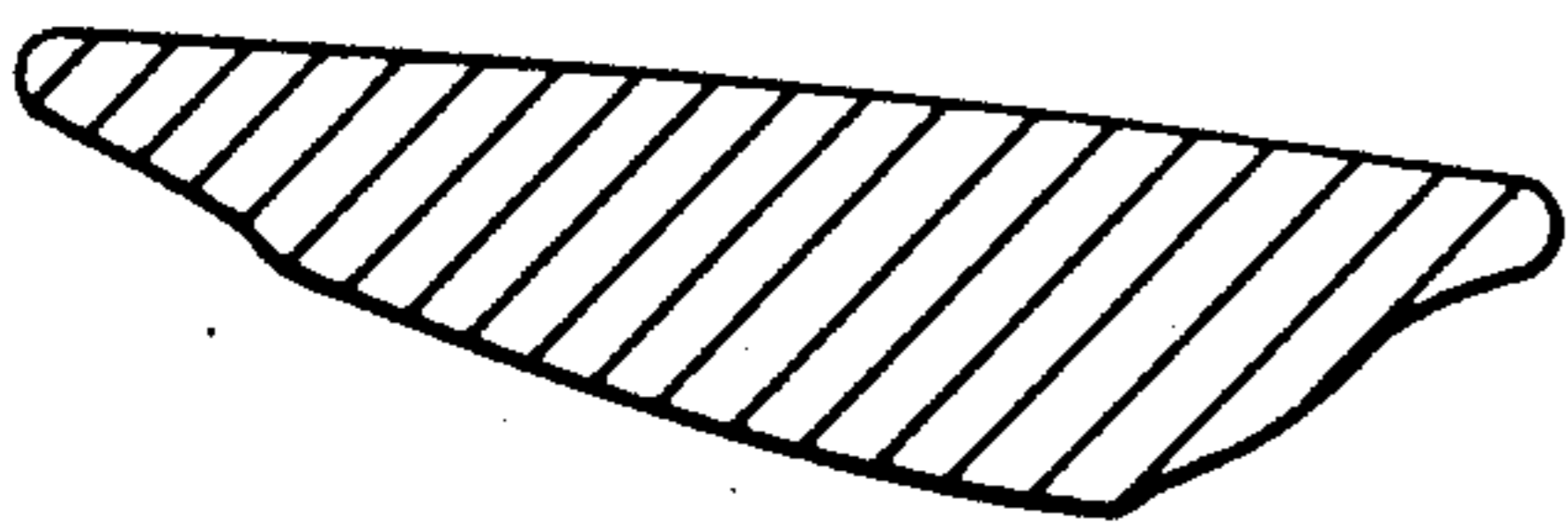


Fig. 5

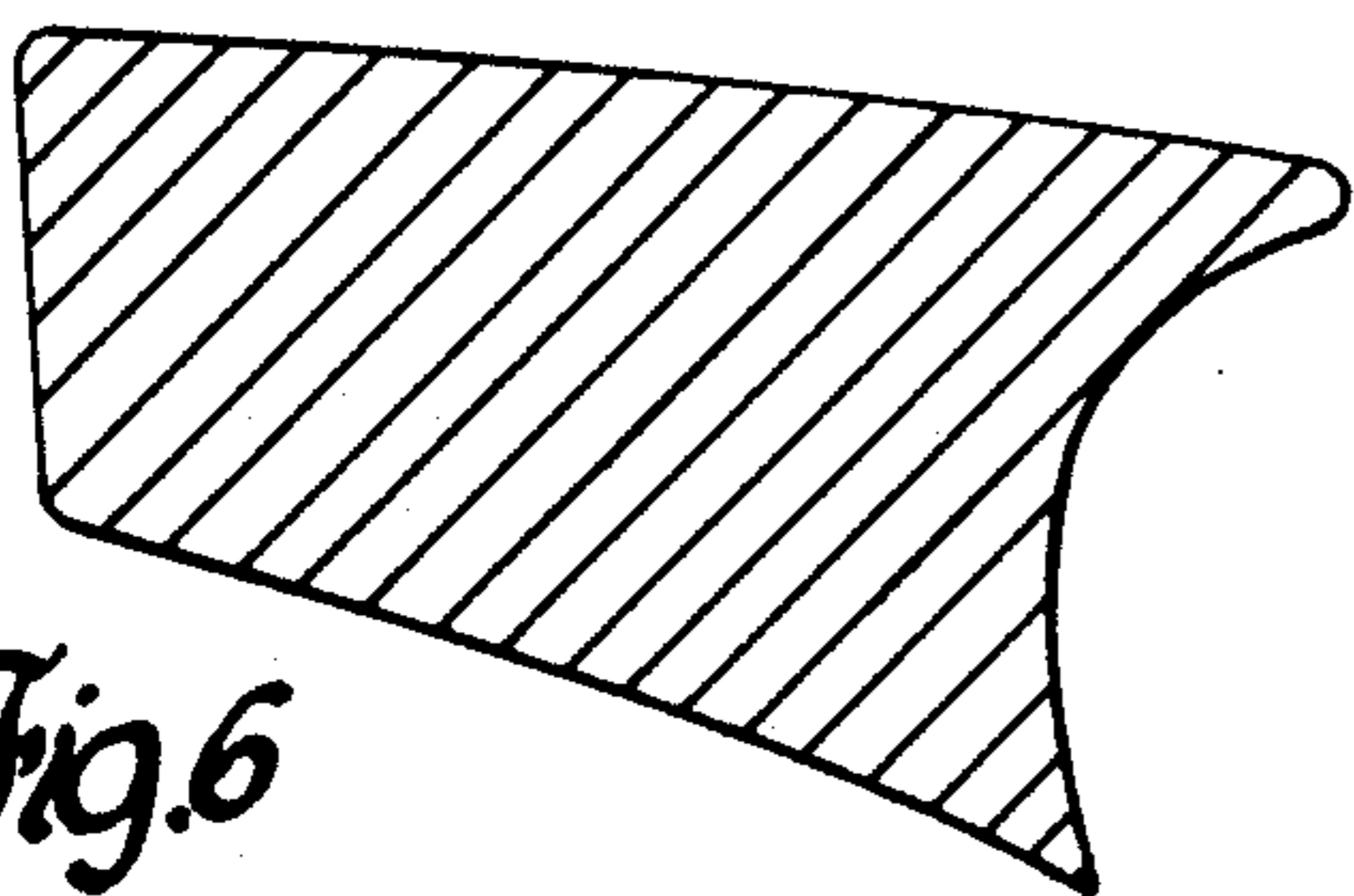


Fig. 6

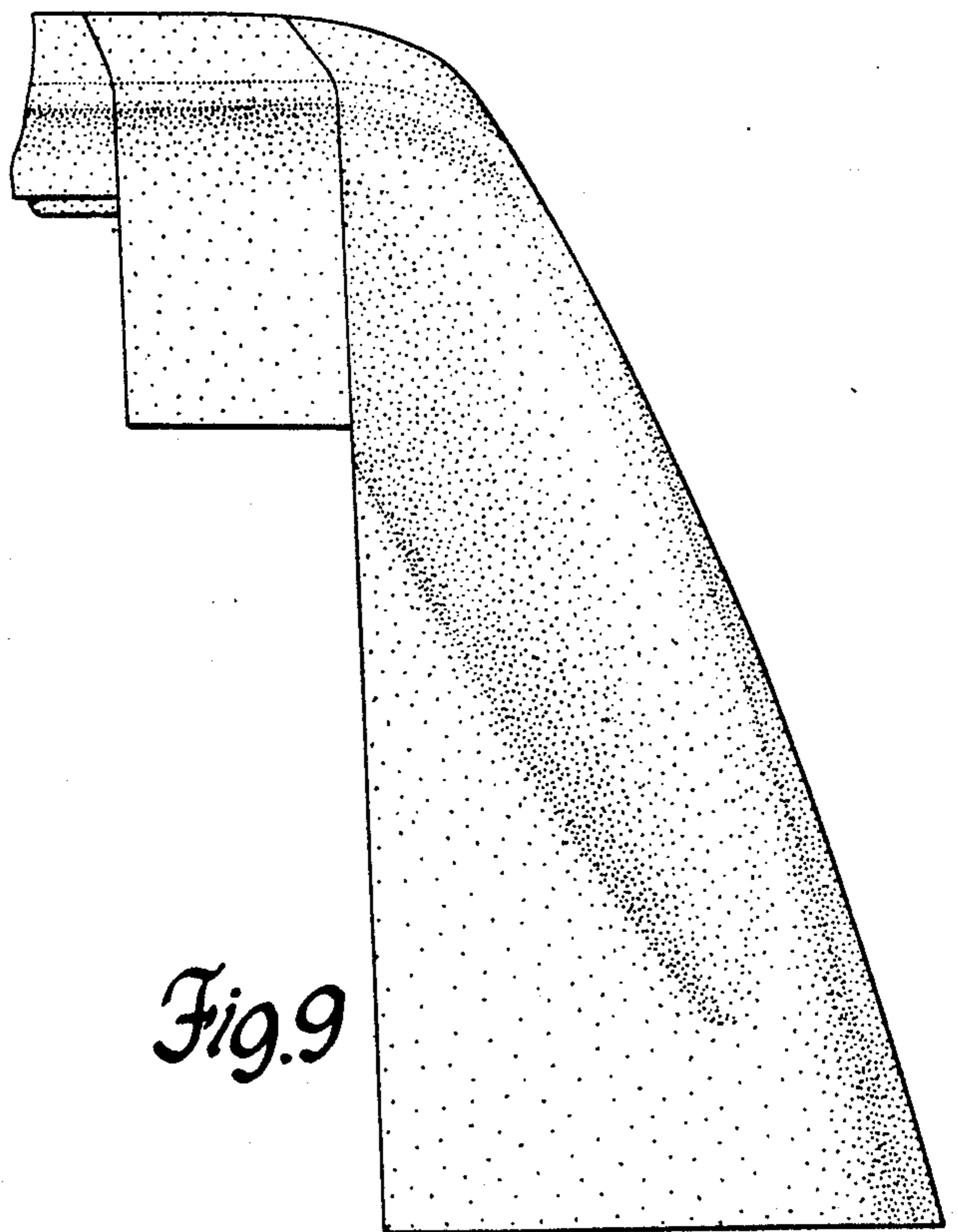


Fig. 9