

[54] AUXILIARY VEHICLE GAS TANK

[76] Inventor: Lynn A. Balek, 1627 8th St. SW.,
Mason City, Iowa 50401

[**] Term: 14 Years

[21] Appl. No.: 671,125

[22] Filed: Nov. 13, 1984

[52] U.S. Cl. D12/155

[58] Field of Search D12/155; 280/5 A;
220/1 V

[56] References Cited

U.S. PATENT DOCUMENTS

D. 235,861 7/1975 Waters D12/155

OTHER PUBLICATIONS

J. C. Whitney catalog, No. 392B, ©1979, p. 43, Auxil-
iary Gas Tanks for Vans, second box in from center
right side of page.

Primary Examiner—James M. Gandy

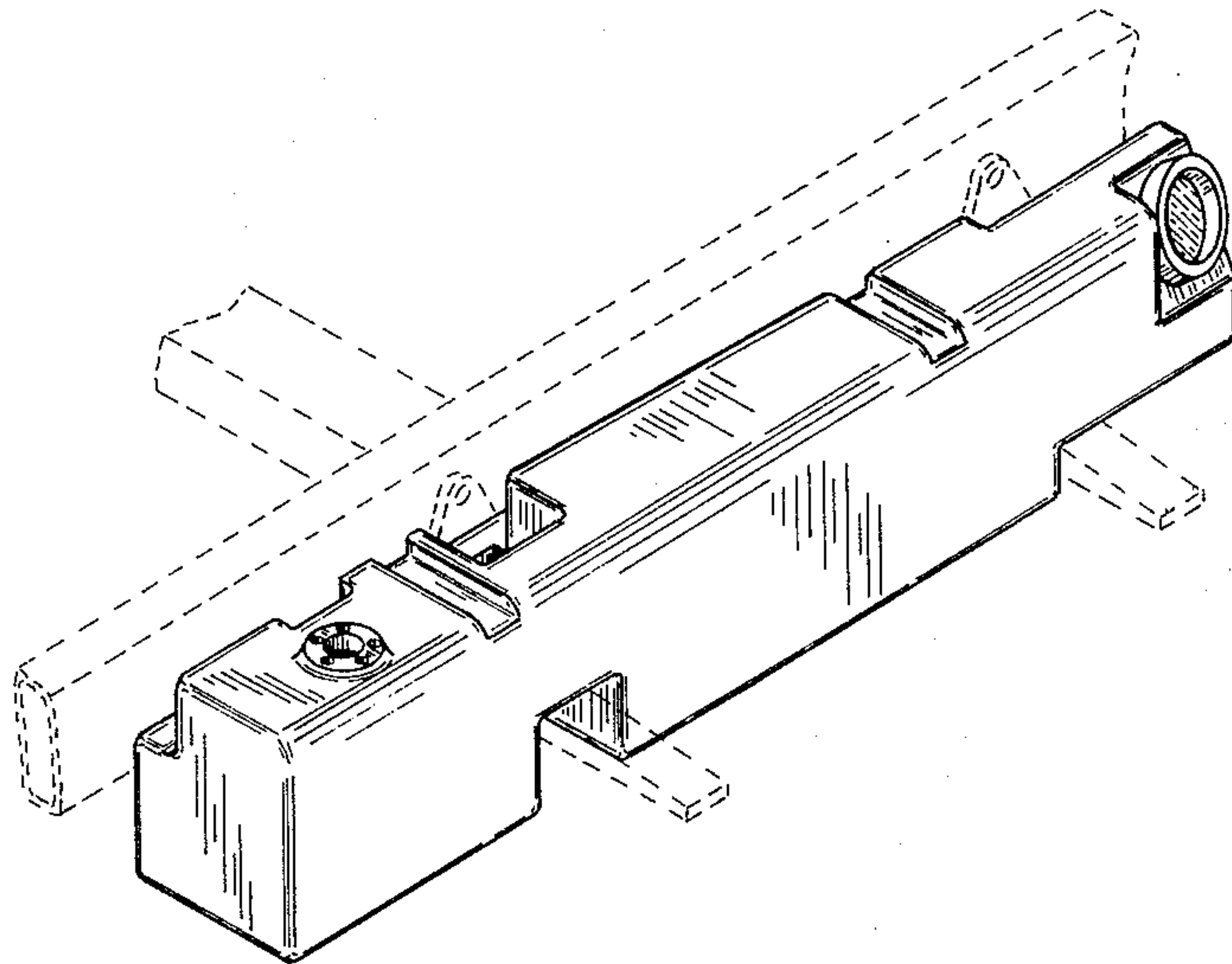
Attorney, Agent, or Firm—G. Brian Pingel; Kent A.
Herink

[57] CLAIM

The ornamental design for an auxiliary vehicle gas tank,
as shown and described.

DESCRIPTION

FIG. 1 is a side perspective view of an auxiliary vehicle
gas tank showing my new design in assembly relation
with a portion of a vehicle frame which is shown in
broken line for illustrative purposes only;
FIG. 2 is a side perspective view thereof of the side
opposite to that shown in FIG. 1;
FIG. 3 is a top plan view thereof;
FIG. 4 is a side elevational view thereof showing the
same side as depicted in FIG. 2;
FIG. 5 is a bottom plan view thereof;
FIG. 6 is a side elevational view thereof showing the
same side as depicted in FIG. 1;
FIG. 7 is a rear elevational view thereof; and
FIG. 8 is a front elevational view thereof.



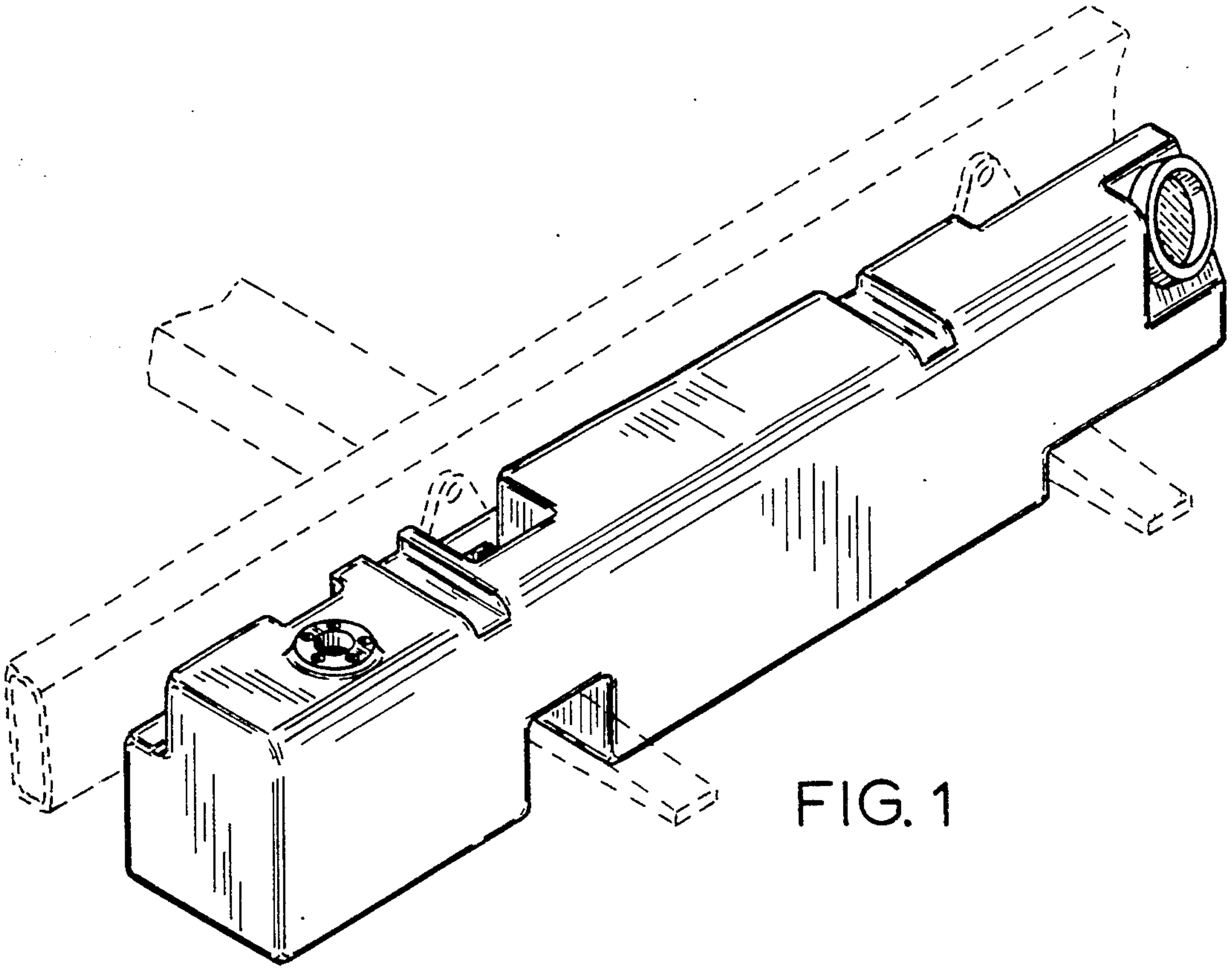


FIG. 1

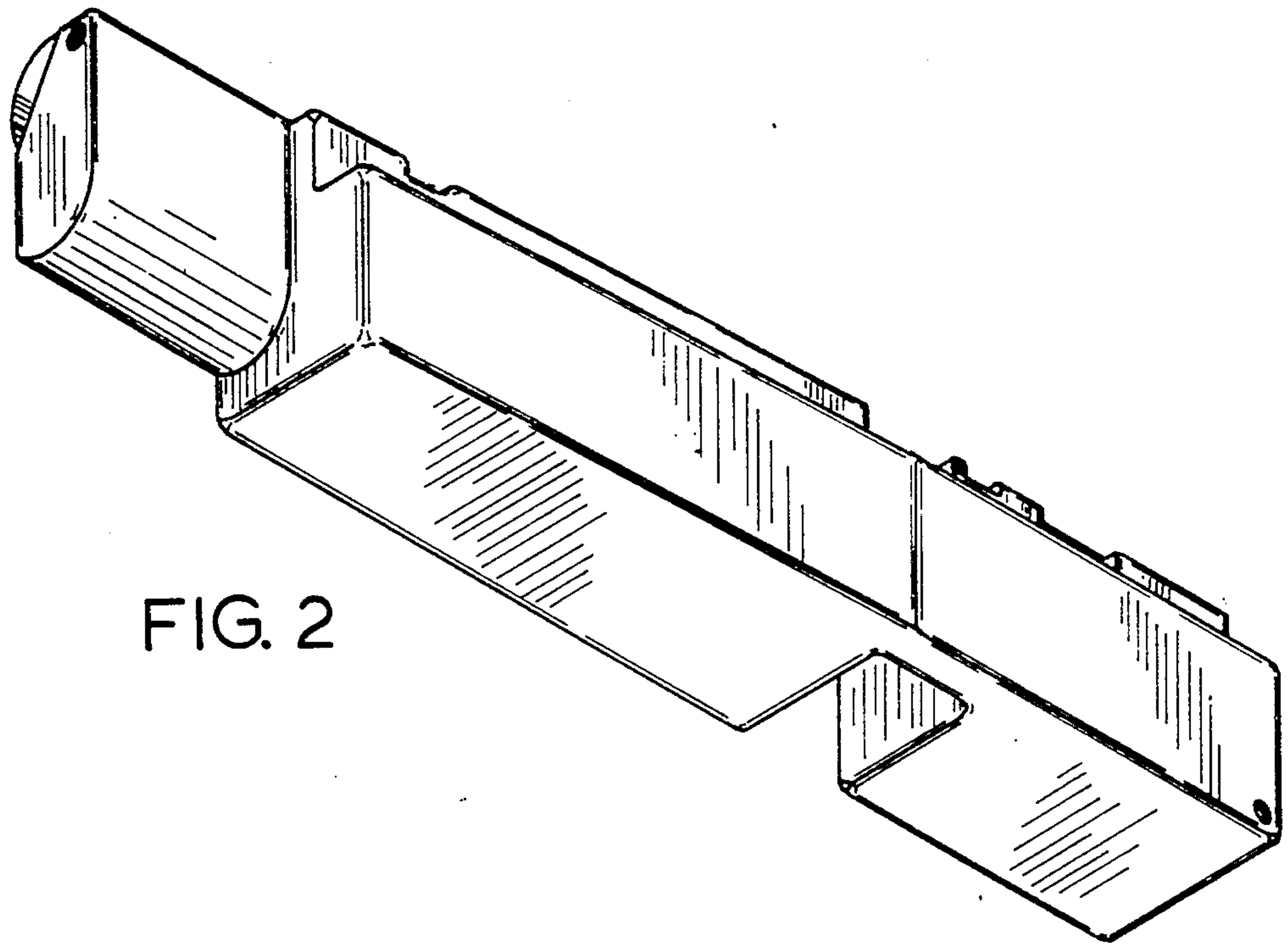


FIG. 2



FIG. 3

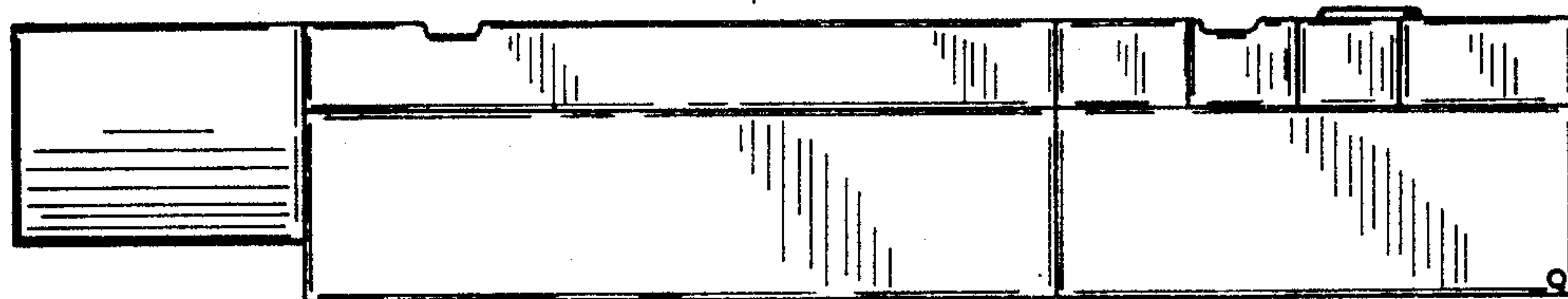


FIG. 4

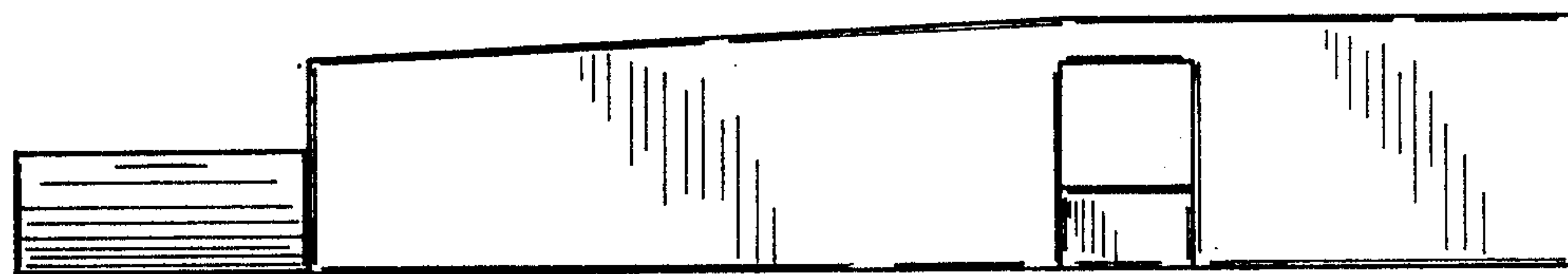


FIG. 5

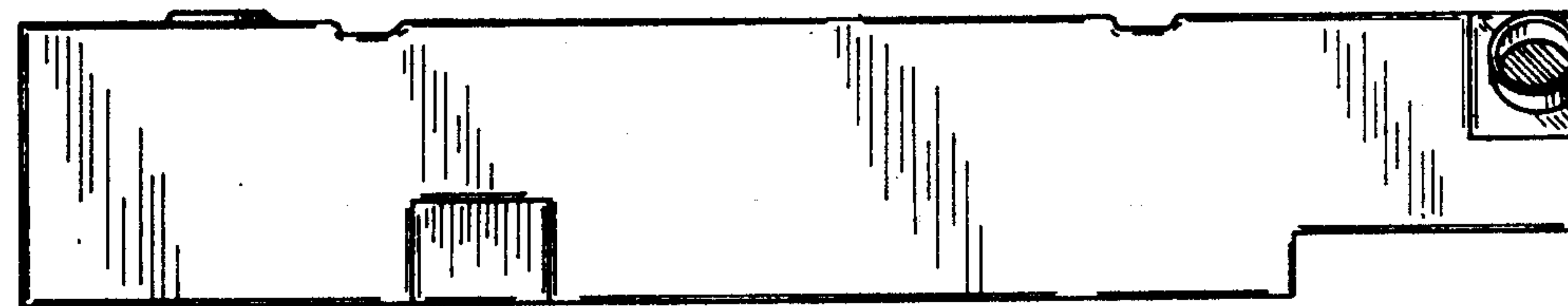


FIG. 6

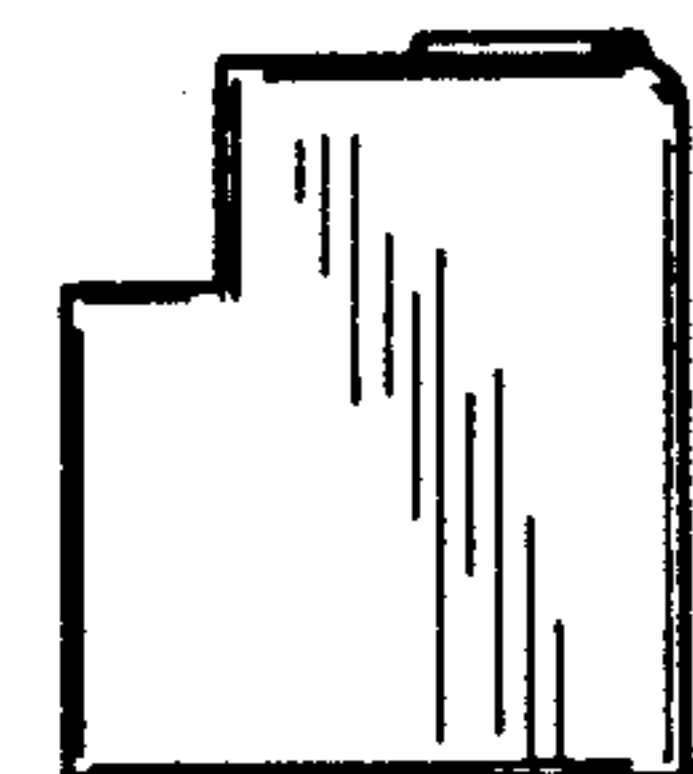


FIG. 7

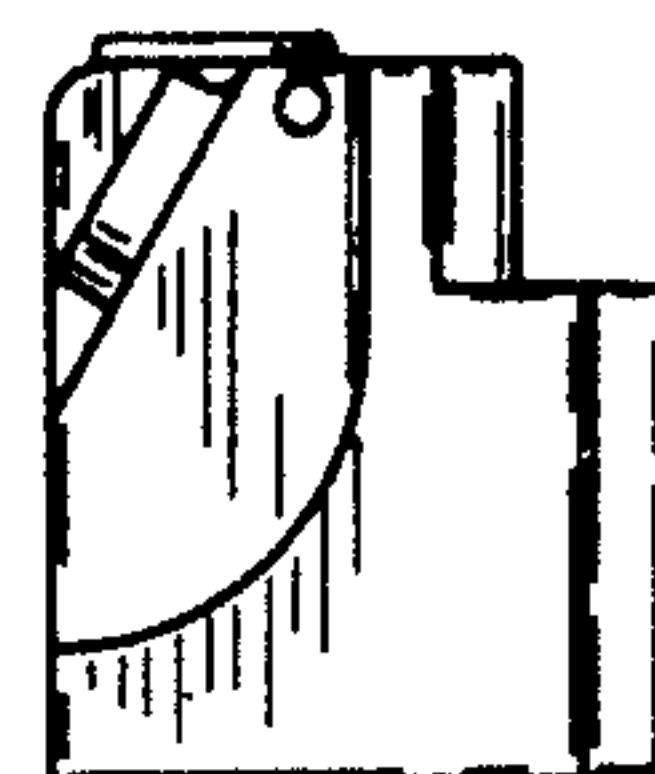


FIG. 8