

[54] ORNAMENTAL DESIGN FOR A TRICYCLE

[75] Inventor: Kenneth L. Engum, Wallace, Mich.

[73] Assignee: Skeeter Trike, Inc., Menomonee, Mich.

[**] Term: 14 Years

[21] Appl. No.: 614,955

[22] Filed: May 29, 1984

[52] U.S. Cl. D12/112

[58] Field of Search D12/112; 280/259, 261, 280/267, 269, 281 LP, 281 W, 282

[56] References Cited

U.S. PATENT DOCUMENTS

D. 239,644	4/1976	Matsuura	D21/01
3,429,584	2/1969	Hendricks	280/261
3,561,778	2/1971	La Brie	280/7.14
3,913,929	10/1975	Matsuura	280/7.14
3,920,263	11/1975	Bundschuh	280/106
3,921,467	11/1975	Matsuura	74/219
3,960,392	6/1976	Read	280/282
4,198,072	4/1980	Hopkins	280/267
4,277,078	7/1981	Root	280/269

4,279,429	7/1981	Hopkins et al.	280/267
4,283,070	8/1981	Forrestall et al.	280/274
4,303,256	12/1981	Mortensen	280/261
4,333,664	6/1982	Turner et al.	280/261
4,359,231	11/1982	Mulcahy	280/87.01
4,373,740	2/1983	Hendrix	280/269
4,410,198	10/1983	Fernandes et al.	280/281
4,460,190	7/1984	Spiess	280/269

FOREIGN PATENT DOCUMENTS

2117719	10/1983	United Kingdom	280/281 LP
---------	---------	----------------	-------	------------

Primary Examiner—James M. Gandy
Attorney, Agent, or Firm—William Brinks Olds Hofer Gilson & Lione Ltd.

[57] CLAIM

The ornamental design for a tricycle, as shown.

DESCRIPTION

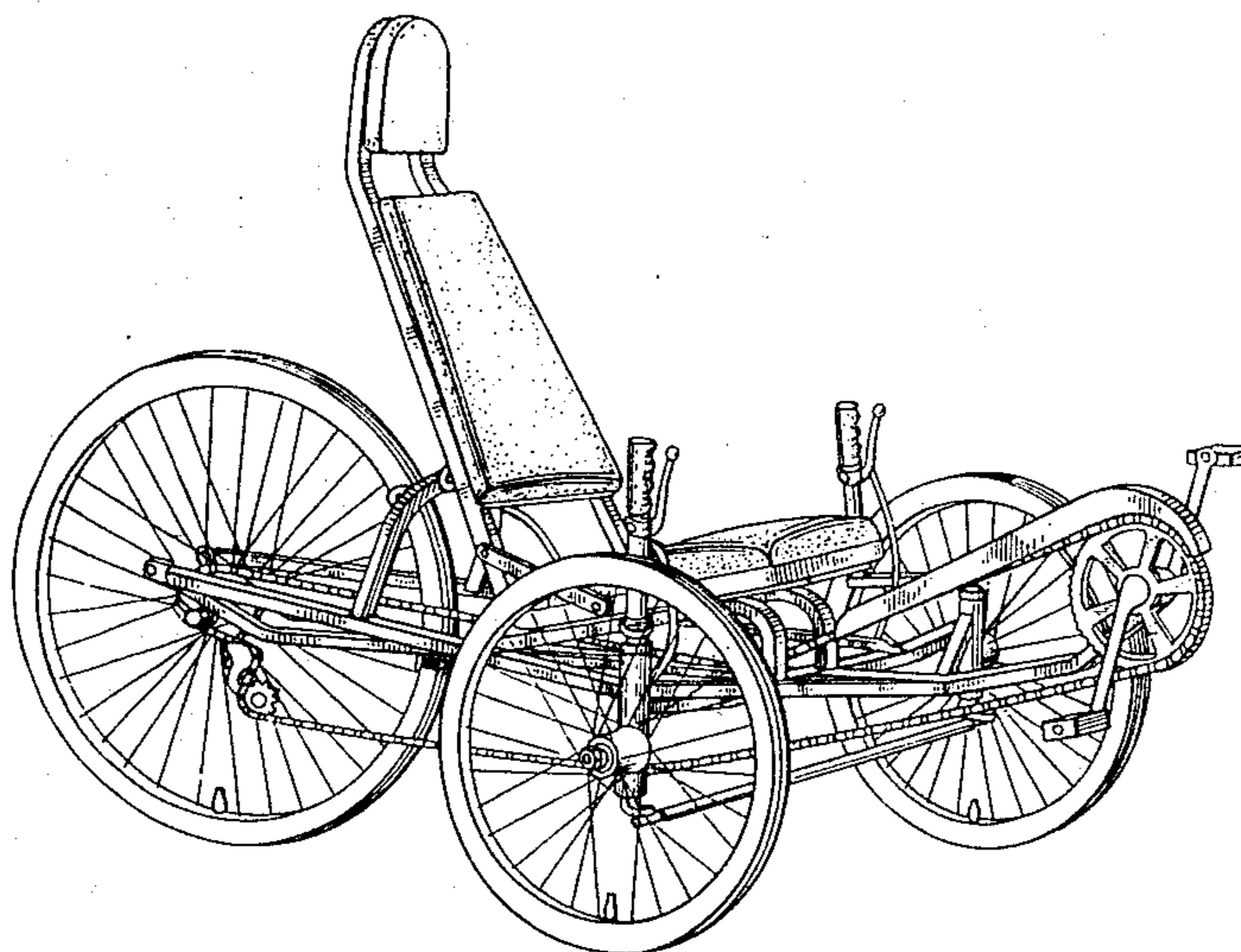
FIG. 1 is a right side perspective view of a tricycle showing my new design.

FIG. 2 is a left side elevational view thereof.

FIG. 3 is a top plan view thereof.

FIG. 4 is a front elevational view thereof.

FIG. 5 is a rear elevational view thereof.



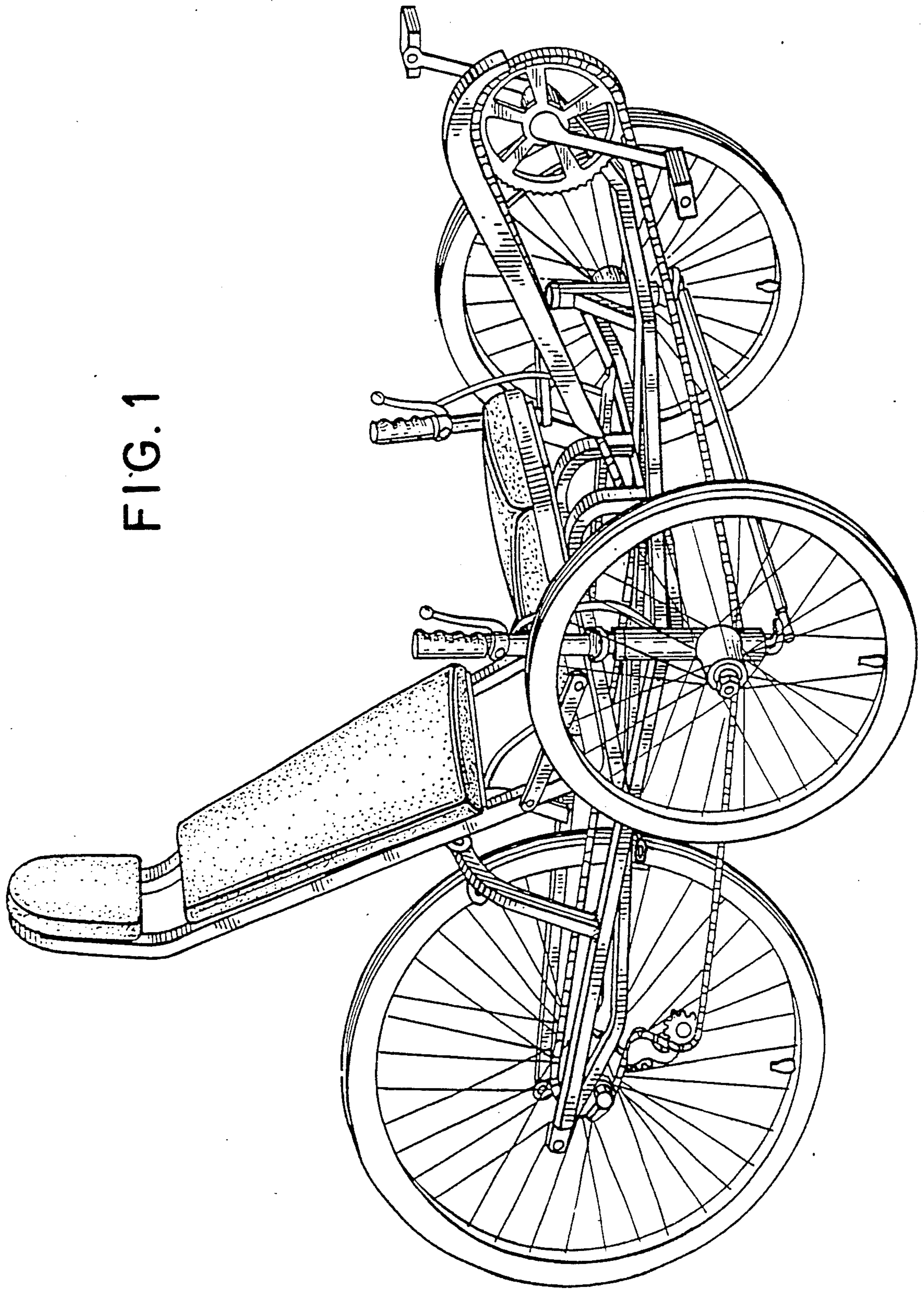


FIG. 1

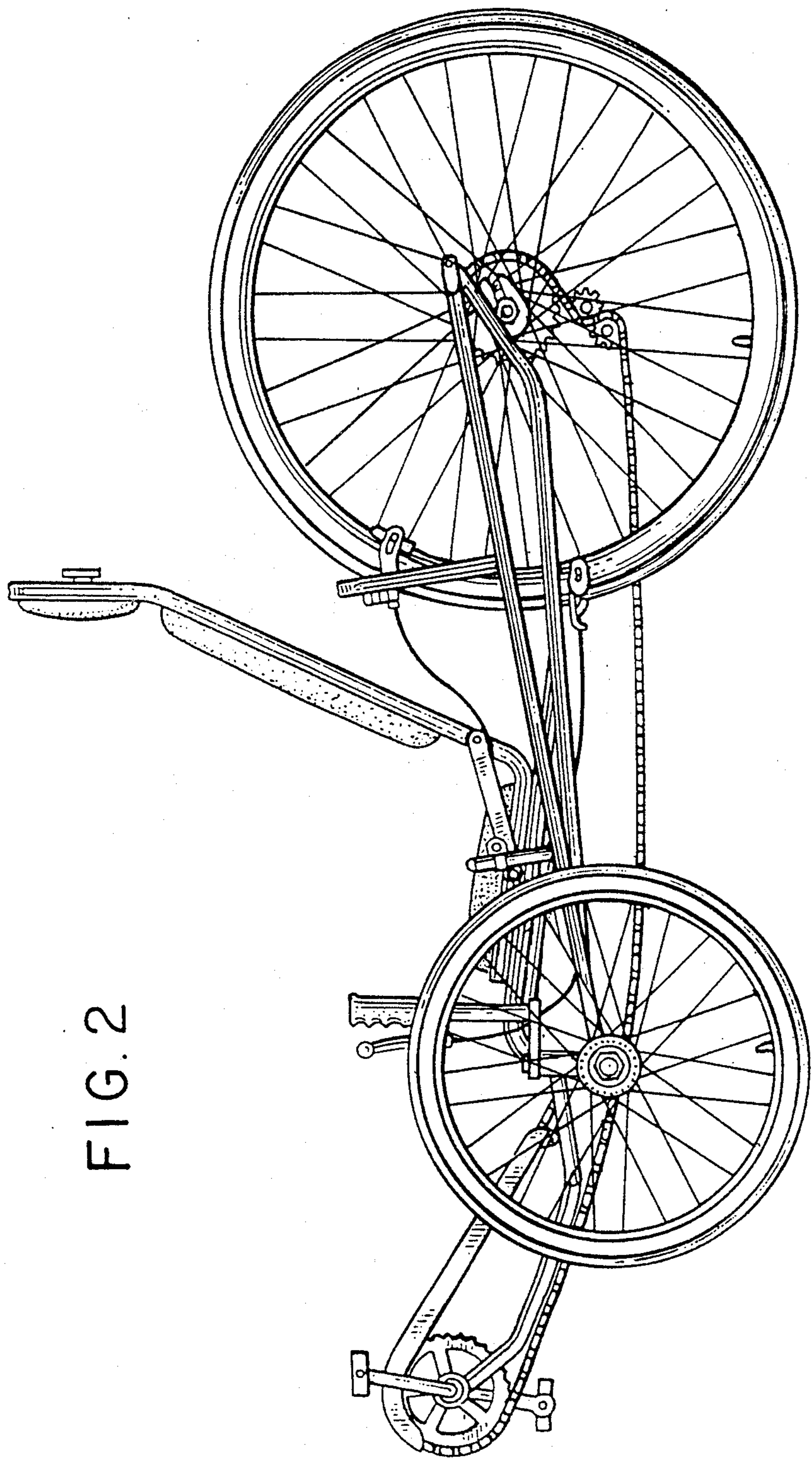


FIG. 2

FIG. 3

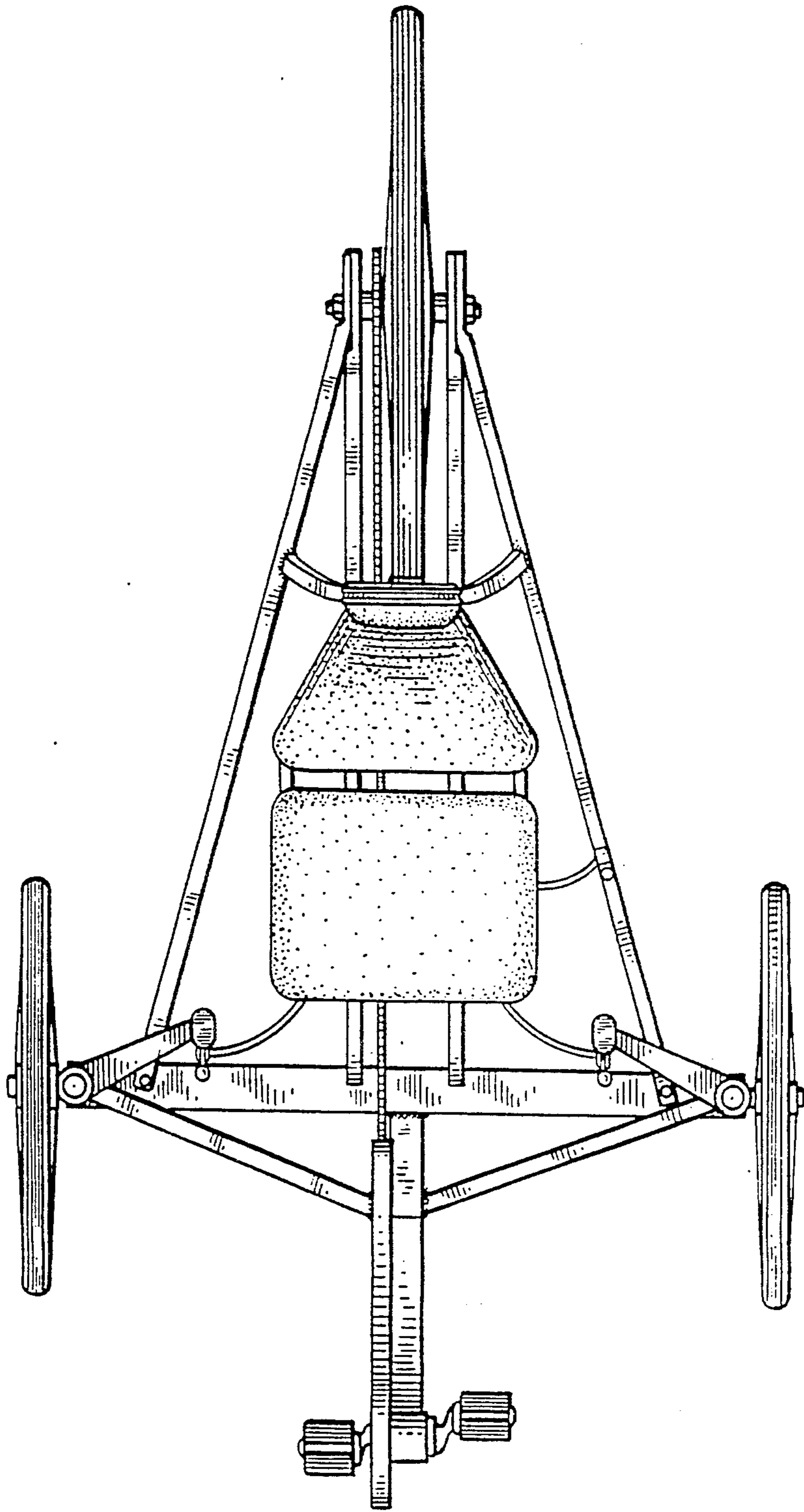


FIG. 4

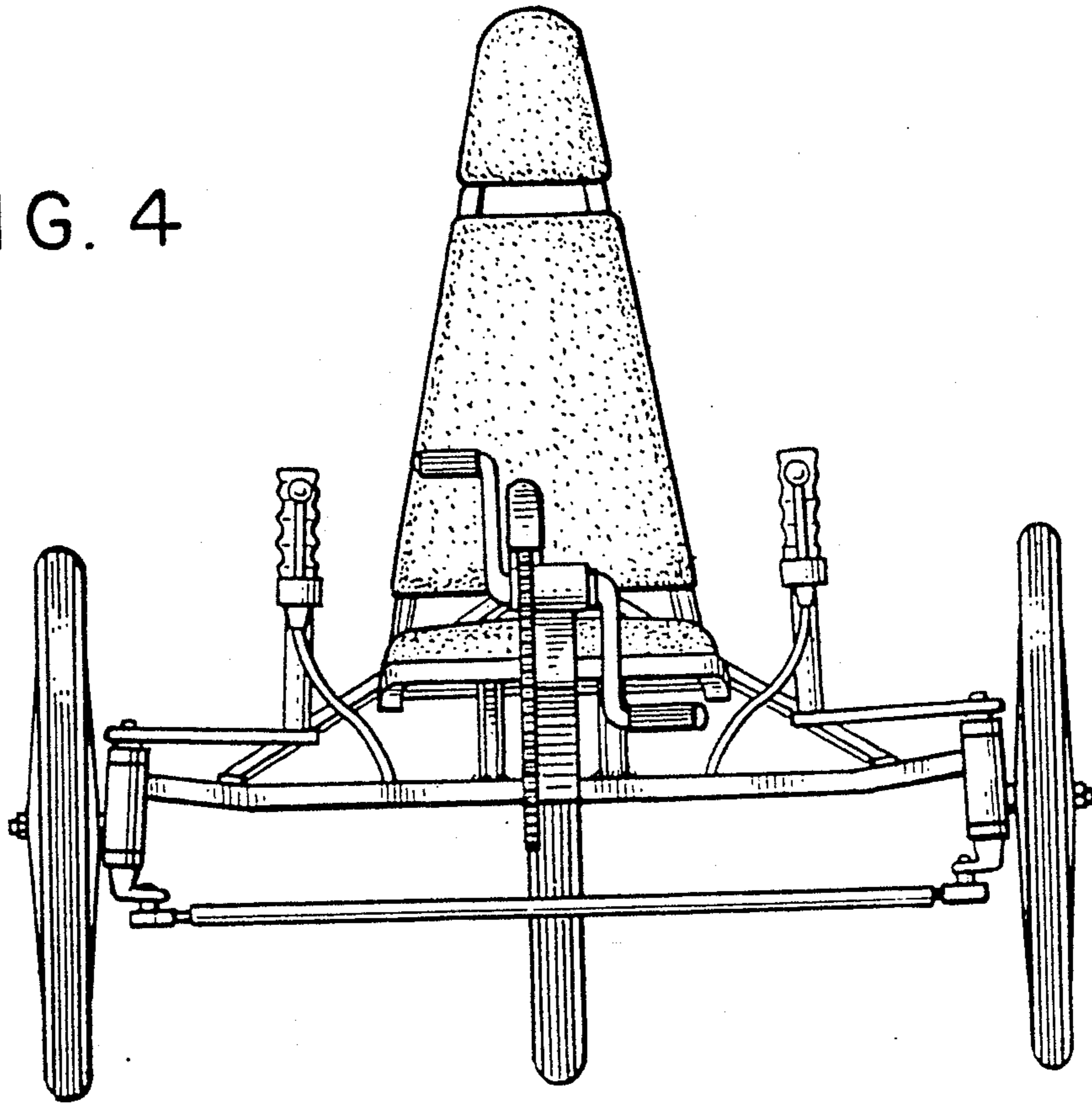
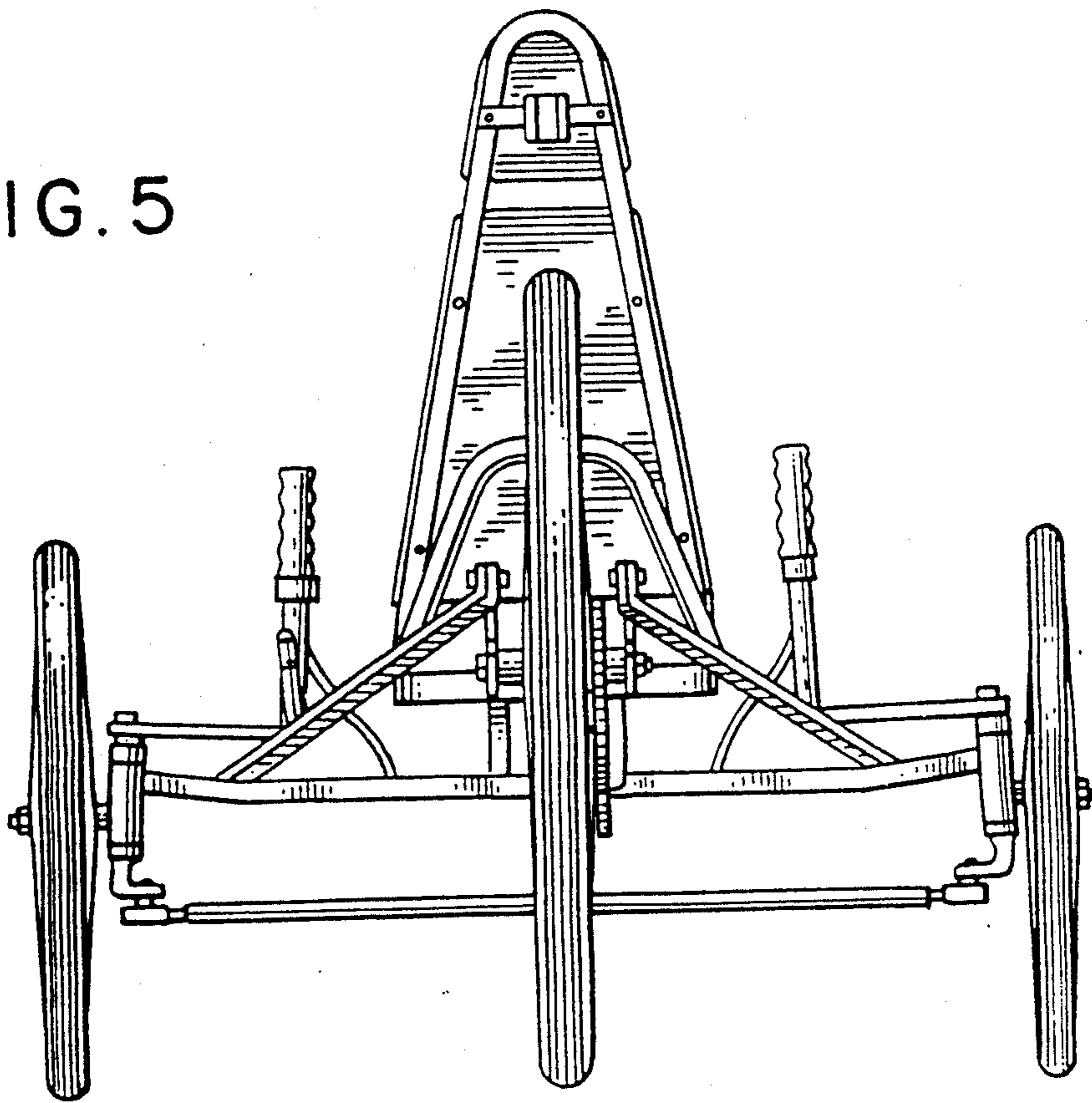


FIG. 5



UNITED STATES PATENT AND TRADEMARK OFFICE
CERTIFICATE OF CORRECTION

PATENT NO. : Des. 290,451
DATED : June 23, 1987
INVENTOR(S) : Kenneth L. Engum

It is certified that error appears in the above-identified patent and that said Letters Patent is hereby corrected as shown below:

On the title page

IN THE SECTION ENTITLED "[73] ASSIGNEE"

Please correct the spelling from "Menomonee"
to --Menominee--.

IN THE CLAIM

Please delete the comma immediately after the
word "tricycle".

**Signed and Sealed this
Tenth Day of May, 1988**

Attest:

Attesting Officer

DONALD J. QUIGG

Commissioner of Patents and Trademarks