

[54] BELT BUCKLE

1,947,690 2/1934 Alterson D11/237 X
4,318,207 3/1982 Stroud D11/238

[76] Inventor: Jack C. Seehase, 1200 Osceola Ave.,
Winter Park, Fla. 32789

OTHER PUBLICATIONS

Cartridges of the World, 3rd Edition, 1976, p. 14-223,
Remington Cartridge at top.

[**] Term: 14 Years

Primary Examiner—Louis S. Zarfes
Attorney, Agent, or Firm—Julian C. Renfro

[21] Appl. No.: 920,874

[22] Filed: Oct. 20, 1986

[52] U.S. Cl. D11/232

[58] Field of Search D11/230-238,
D11/160; D22/116; 24/163 K

[57] CLAIM

The ornamental design for a belt buckle, as shown.

[56] References Cited

U.S. PATENT DOCUMENTS

D. 212,333 10/1968 Del Porto D11/160
D. 253,136 10/1979 Lynch D11/232

DESCRIPTION

FIG. 1 is a front elevational view of a belt buckle showing my new design;
FIG. 2 is a front isometric view thereof; and
FIG. 3 is rear isometric view thereof.

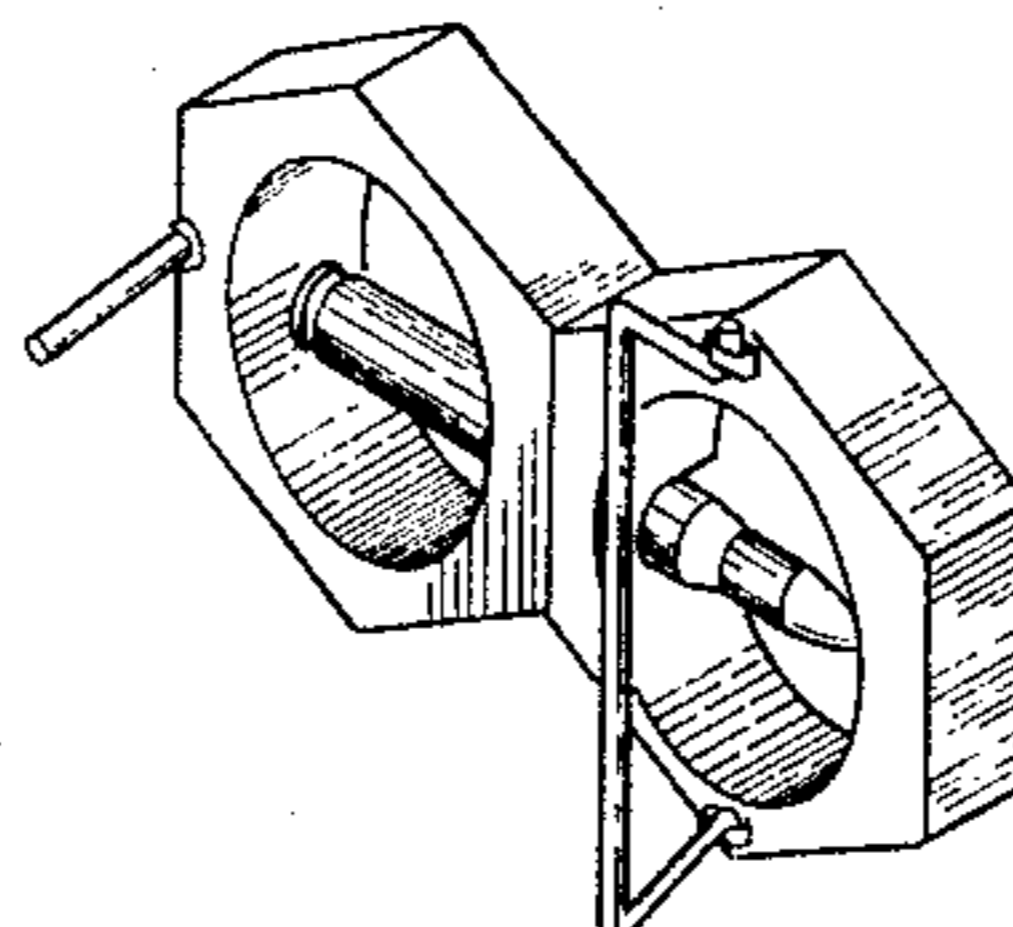
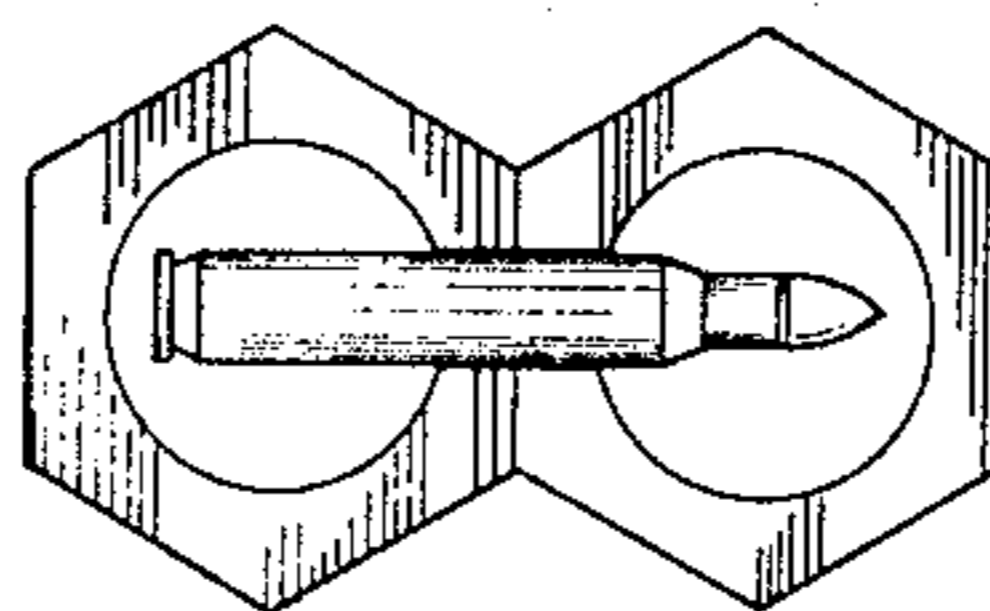


FIG. 1

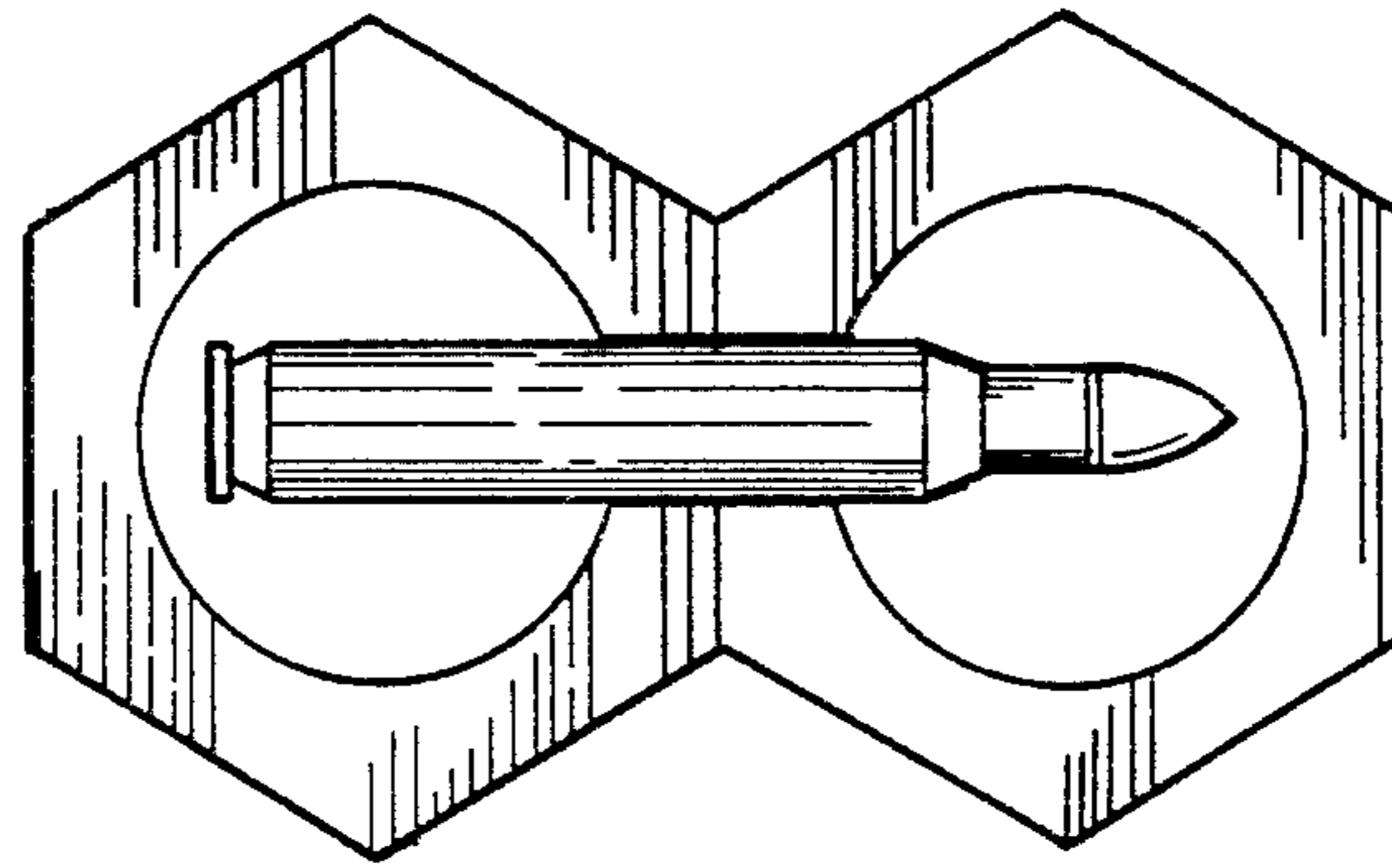


FIG. 2

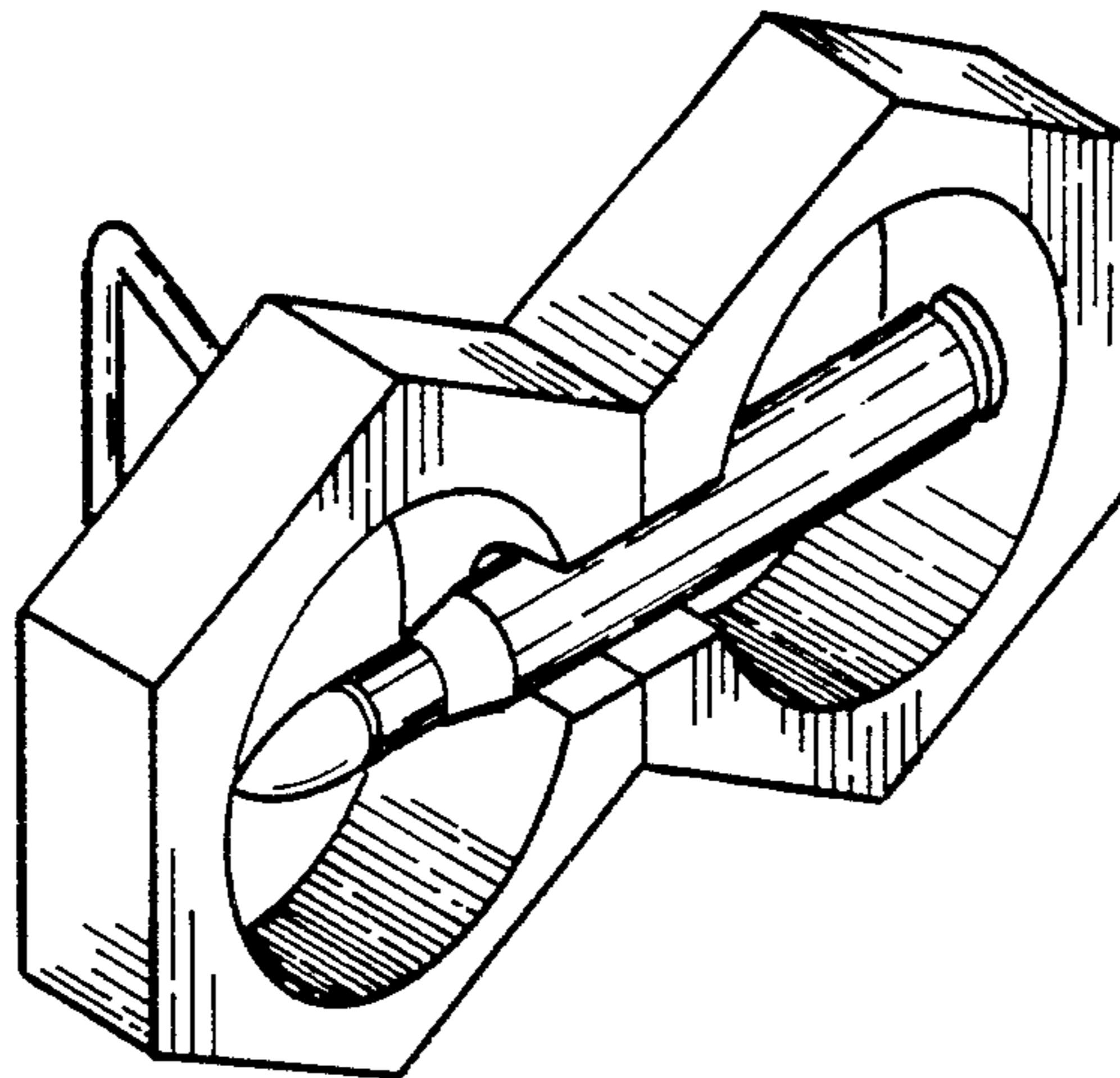


FIG. 3

