

[54] **PIVOTING HORIZONTAL LEVEL**

[76] **Inventor: Bradley Steckhahn, Box 314,
Evansburg, Alberta, Canada, T0E
0T0**

[**] **Term: 14 Years**

[21] **Appl. No.: 711,689**

[22] **Filed: Mar. 14, 1985**

[52] **U.S. Cl. D10/69**

[58] **Field of Search D10/69; 33/373, 379,
33/381, 382, 383**

[56] **References Cited**

U.S. PATENT DOCUMENTS

D. 59,943 12/1921 Watson D10/69
D. 238,153 12/1975 Johnson D10/69
1,454,693 5/1923 Schlattau 33/383 X

2,633,640 4/1953 Bucsko 33/382 X
2,752,692 7/1956 Smith 33/382 X

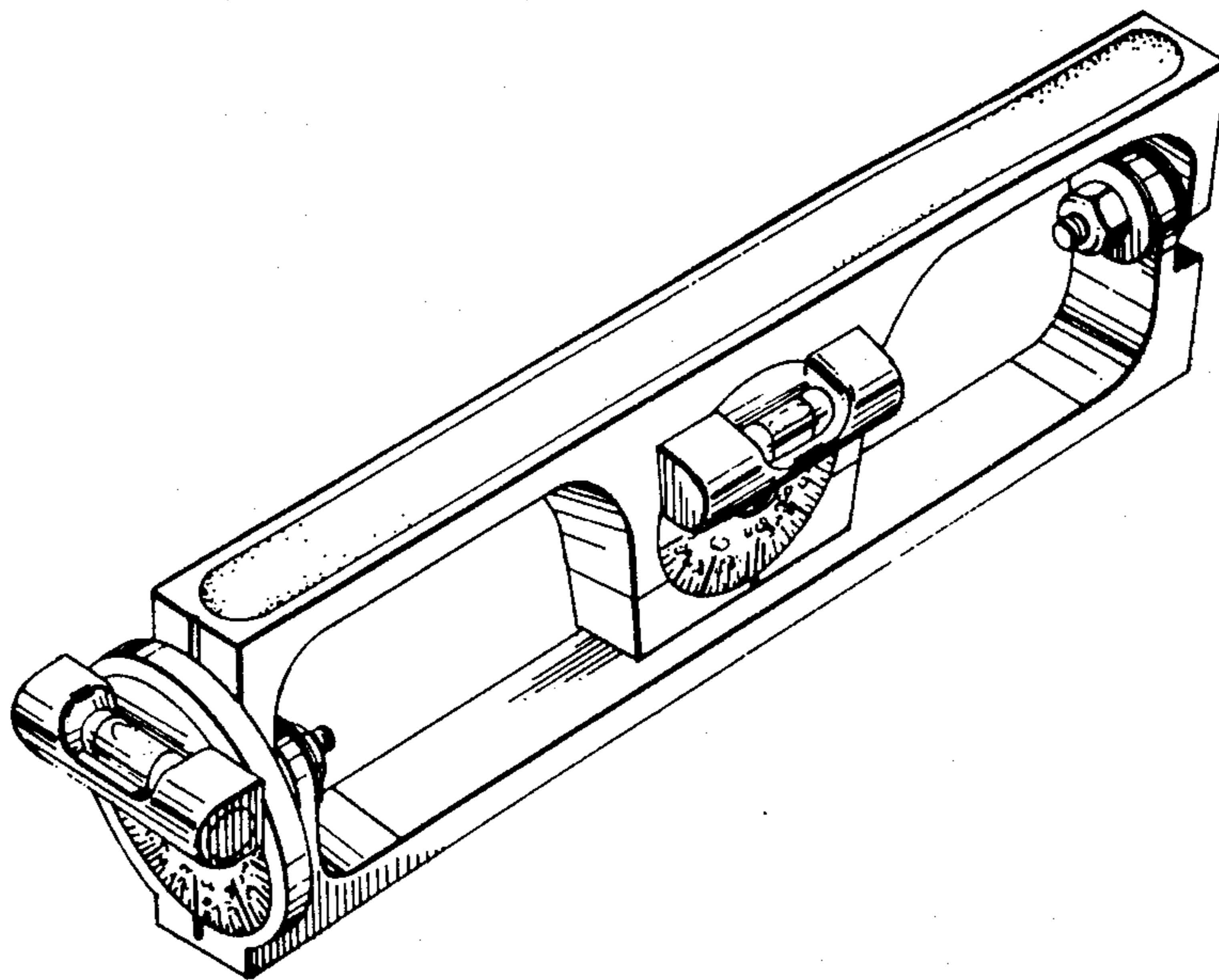
Primary Examiner—Nelson C. Holtje
Attorney, Agent, or Firm—George H. Dunsmuir; Harold
H. Dutton, Jr.

[57] **CLAIM**

The ornamental design for a pivoting horizontal level,
as shown and described.

DESCRIPTION

FIG. 1 is a top and left front perspective view of a
pivoting horizontal level showing my new design;
FIG. 2 is a top plan view thereof;
FIG. 3 is a right end elevational view thereof;
FIG. 4 is a left end elevational view thereof;
FIG. 5 is a front elevational view thereof;
FIG. 6 is a rear elevational view thereof;
FIG. 7 is a bottom plan view thereof.



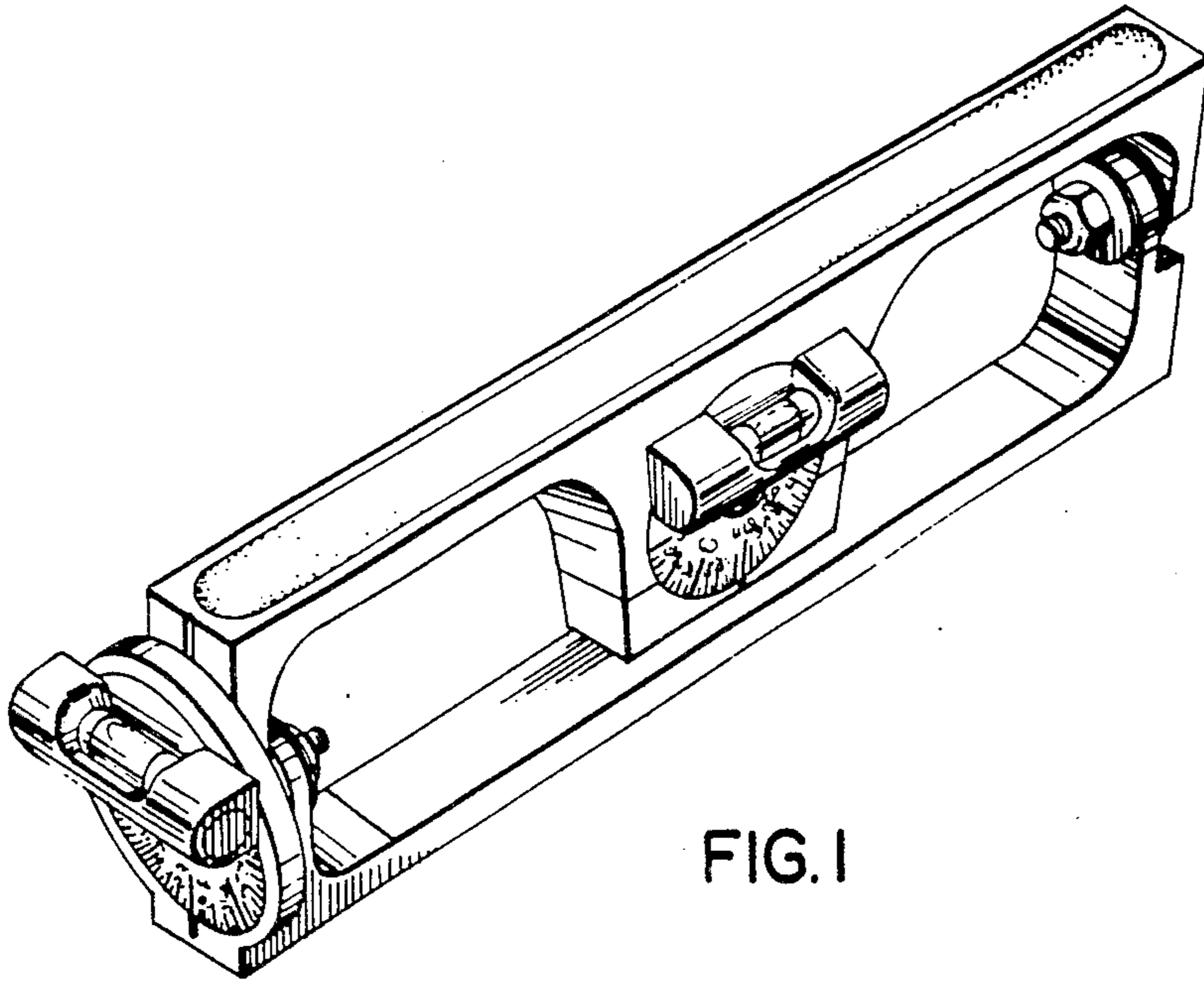


FIG. 1

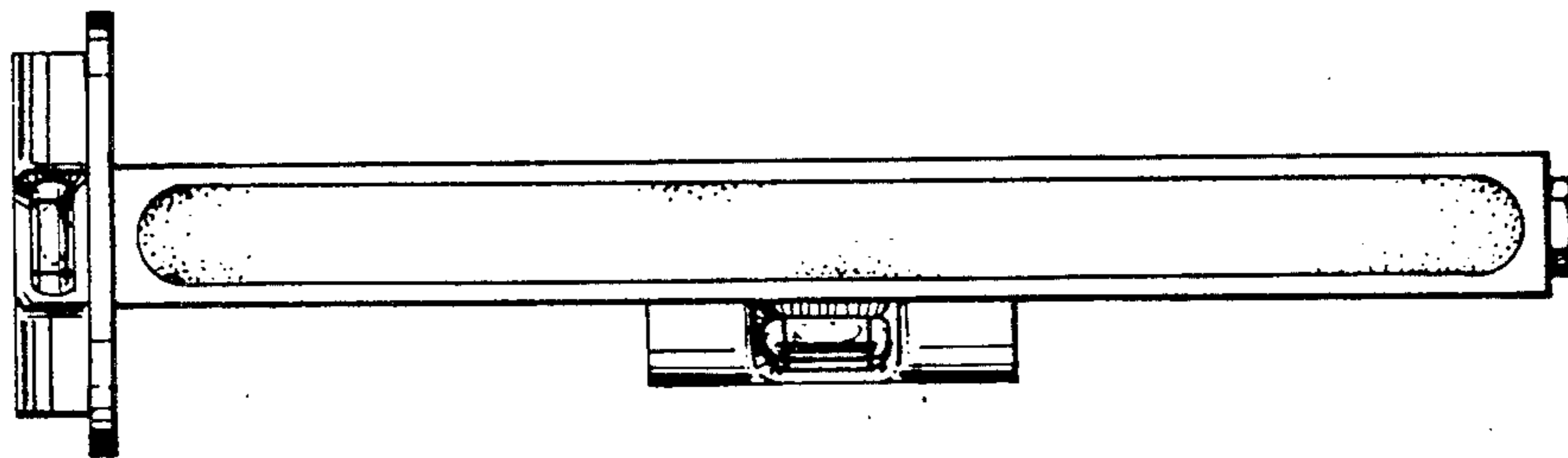


FIG. 2

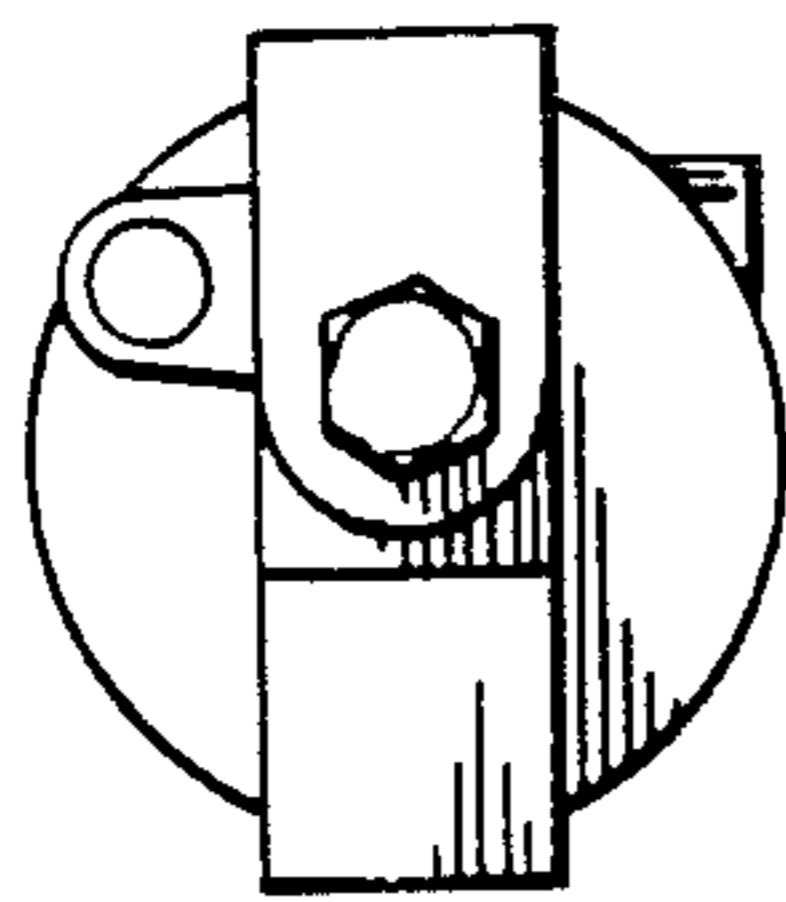


FIG. 3

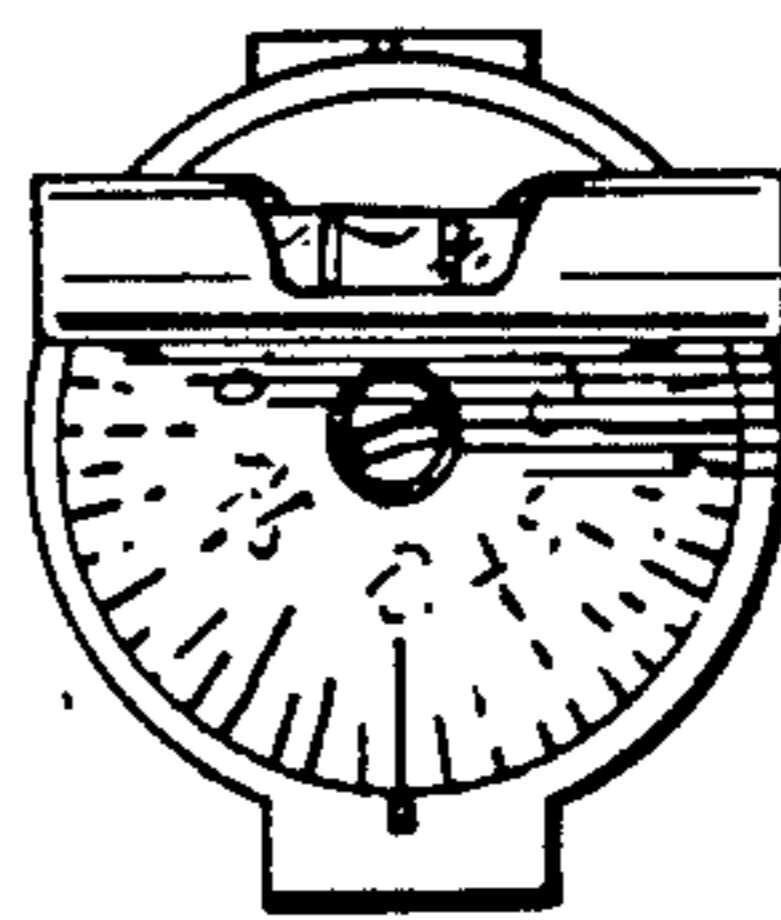


FIG. 4

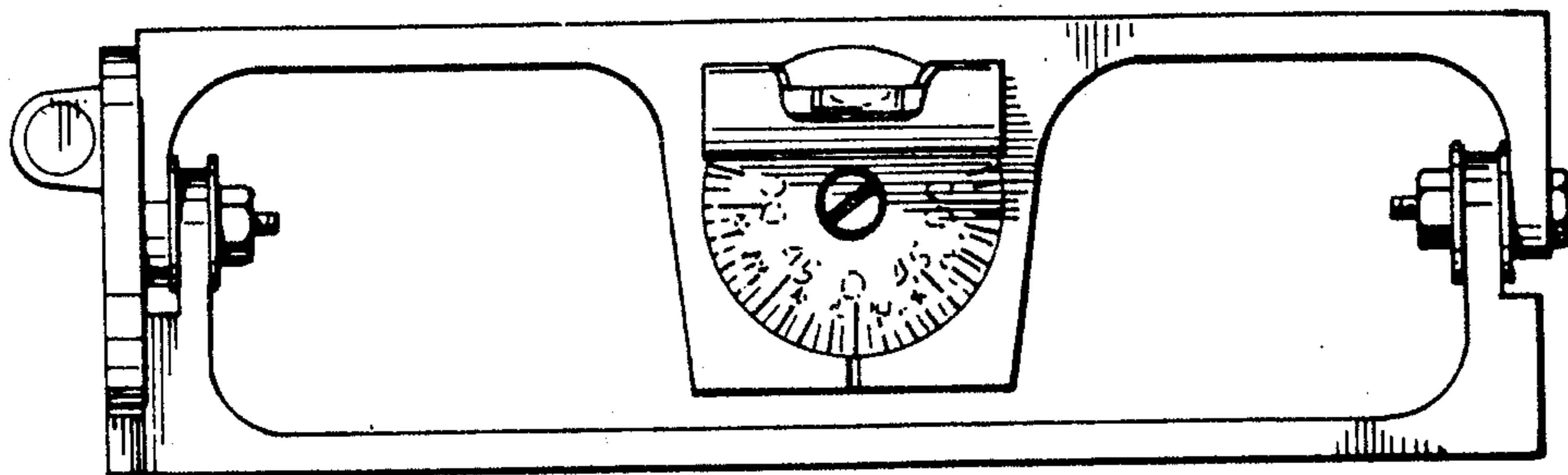


FIG. 5

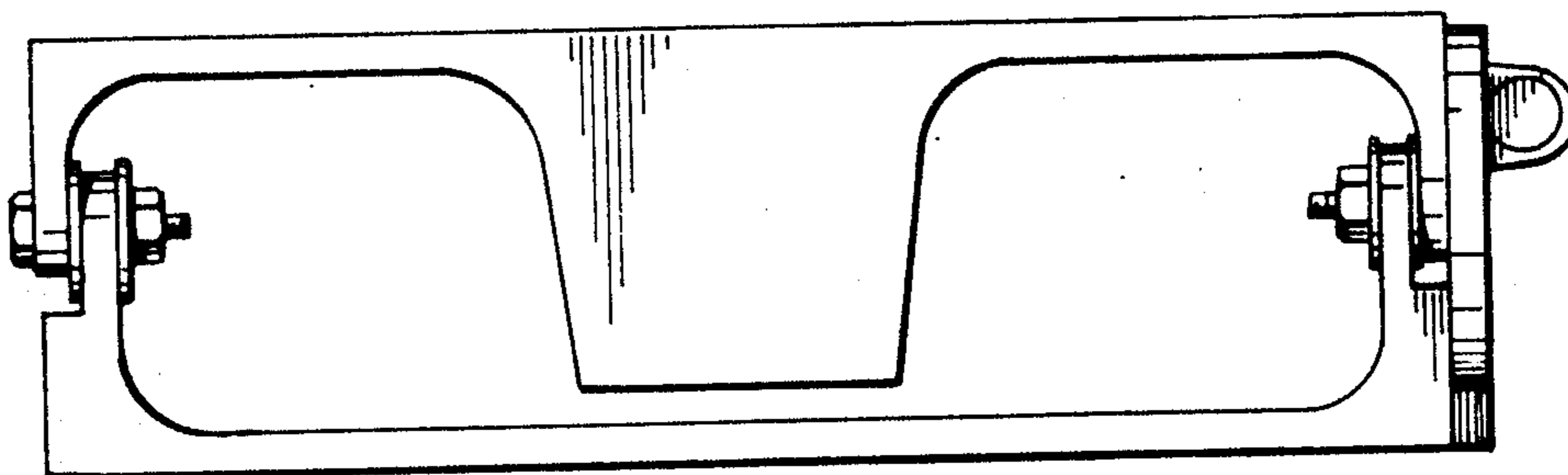


FIG. 6

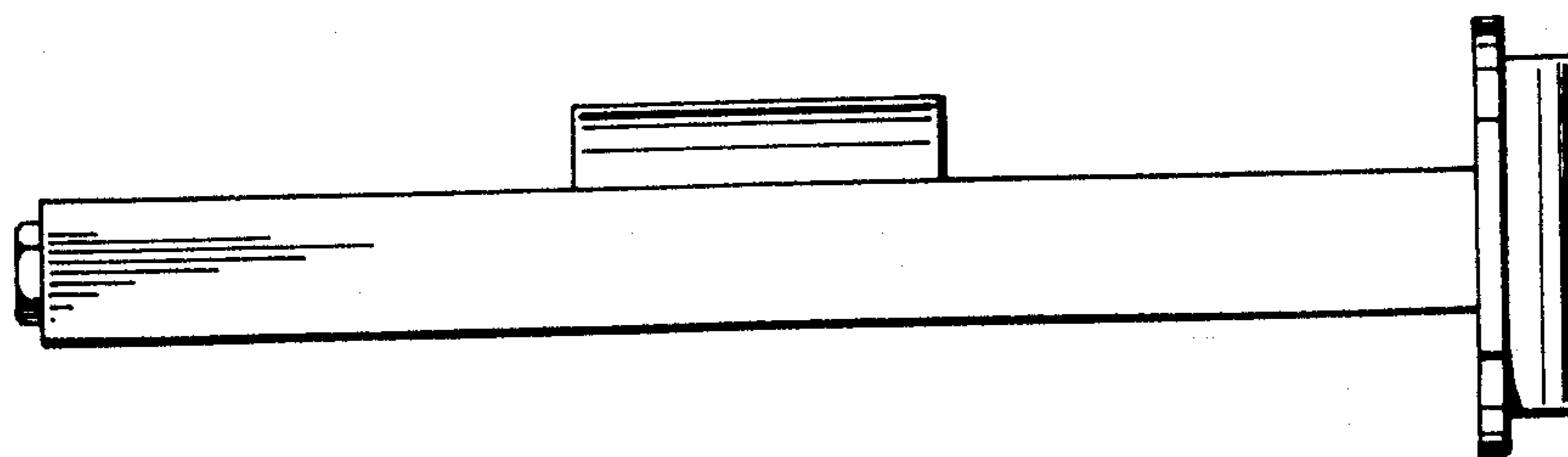


FIG. 7