

[54] COMBINED HANDLE BASE AND CLASP

[76] Inventor: Herold Kunzler, 39 Shelter Rock Rd., Danbury, Conn. 06810

[\*\*] Term: 14 Years

[21] Appl. No.: 781,671

[22] Filed: Sep. 30, 1985

[52] U.S. Cl. .... D8/321; D8/341

[58] Field of Search ..... D8/321, 339, 341, 342; 190/101, 114, 115, 118, 121; 292/137, 156, 157, 163, 170, 169, 175, DIG. 72; 70/67, 71, 69

[56] References Cited

U.S. PATENT DOCUMENTS

D. 183,052	6/1958	Levine	.....	D8/342
D. 193,825	10/1962	Gehrie	.....	D8/321
D. 194,552	2/1963	Gehrie	.....	D8/342
D. 211,400	6/1968	Gehrie	.....	D8/341
1,209,791	12/1916	Wootten	.....	190/115
2,947,161	8/1960	Höffgen	.....	70/67
3,963,104	6/1976	Lautin	.....	190/115

Primary Examiner—B. J. Bullock

Attorney, Agent, or Firm—Bauer & Amer

[57] CLAIM

The ornamental design for a combined handle base and clasp, as shown and described.

DESCRIPTION

FIG. 1 is a perspective view of a combined handle base and clasp showing my new design, the portion of a suitcase being shown in broken lines for illustrative purposes only;

FIG. 2 is an exploded enlarged top plan view thereof;

FIG. 3 is an end elevational view taken from the bottom of FIG. 2, the side opposite being a mirror image;

FIG. 4 is a bottom plan view of FIG. 2;

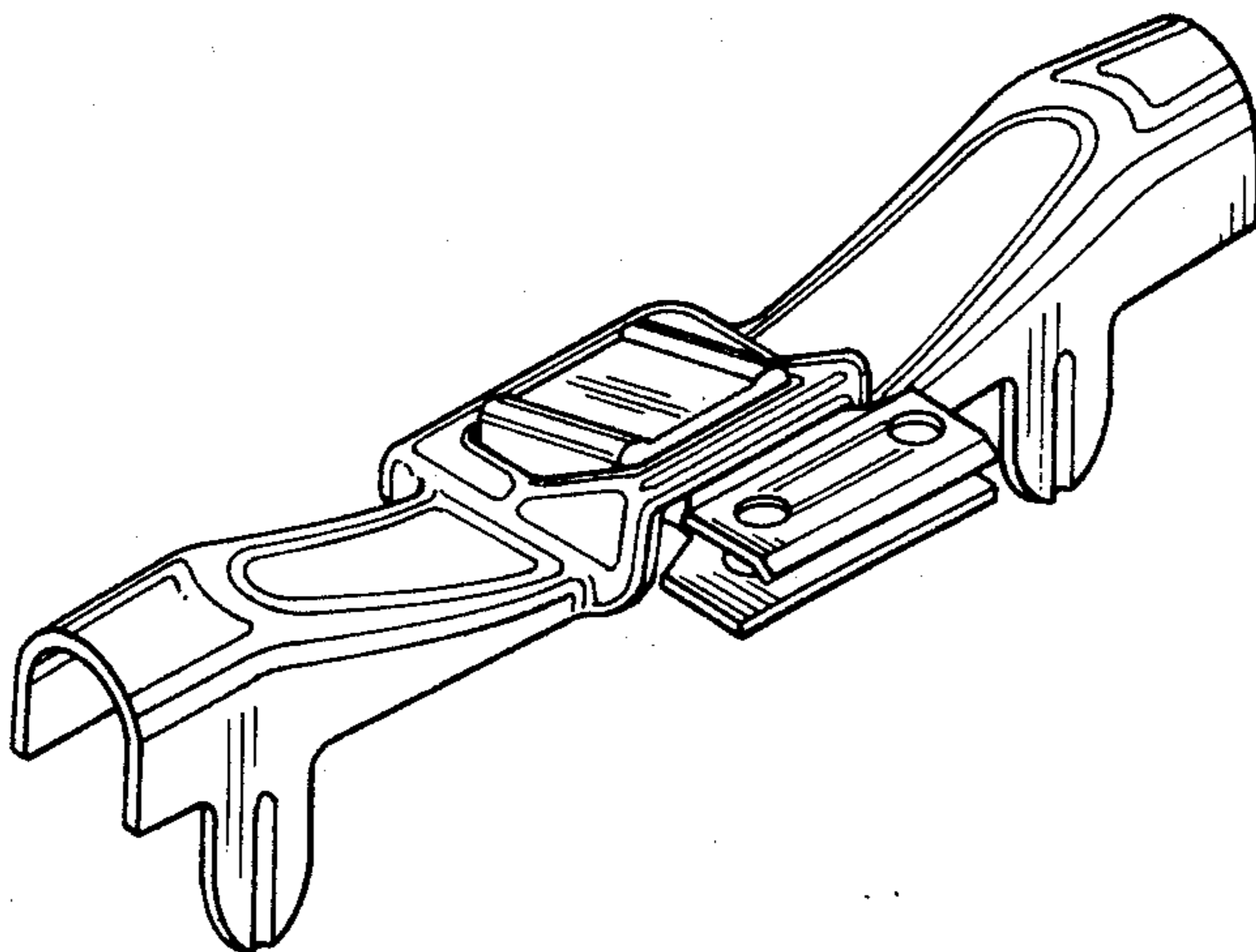
FIG. 5 is an elevational view taken in the direction of the arrows on line 5—5 of FIG. 2;

FIG. 6 is an elevational view taken in the direction of the arrows on line 6—6 of FIG. 2;

FIG. 7 is an elevational view taken in the direction of the arrows on line 7—7 of FIG. 2;

FIG. 8 is an elevational view taken in the direction of the arrows on line 8—8 of FIG. 2; and

FIG. 9 is an enlarged perspective view thereof.



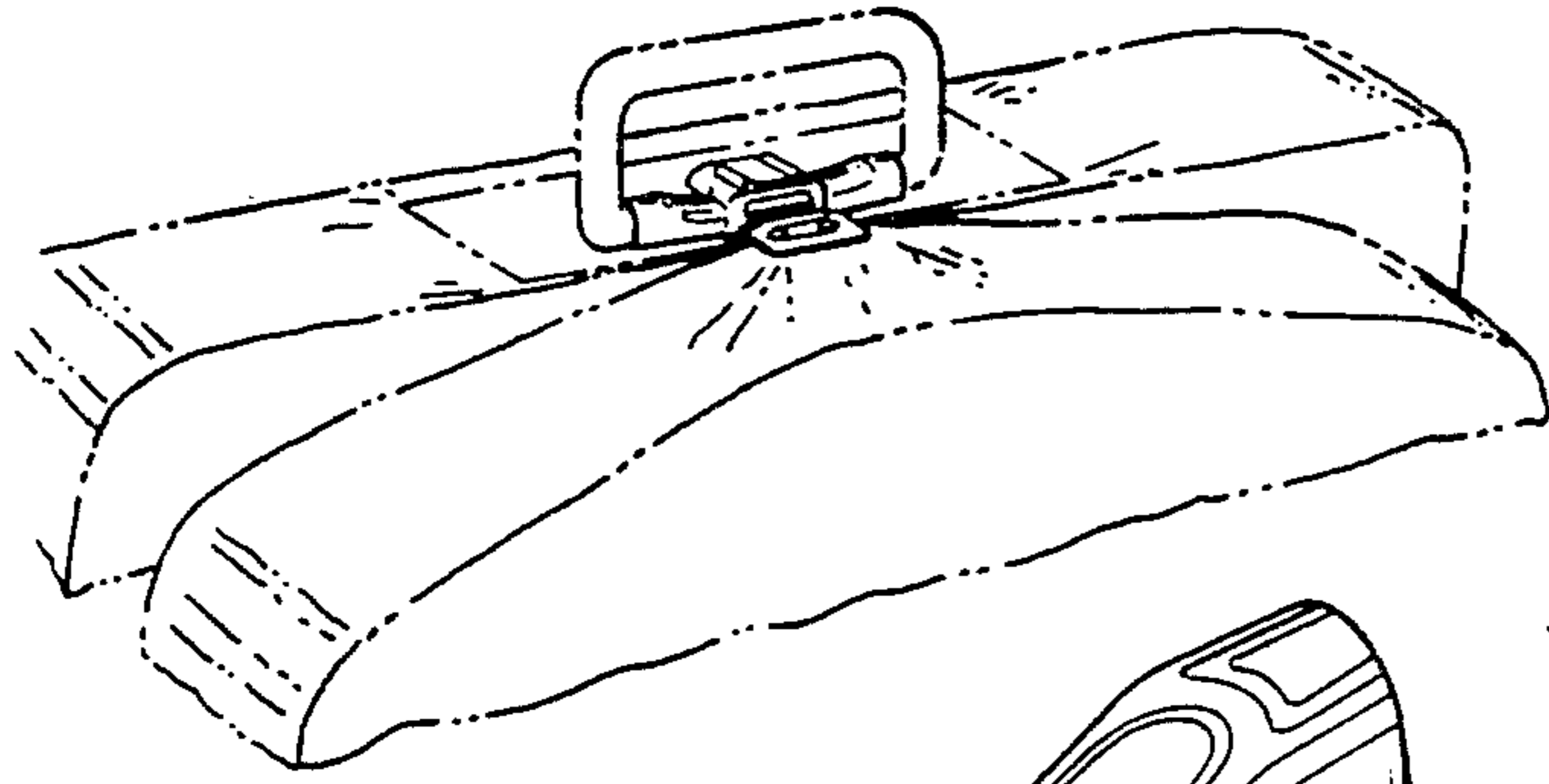


FIG. 1

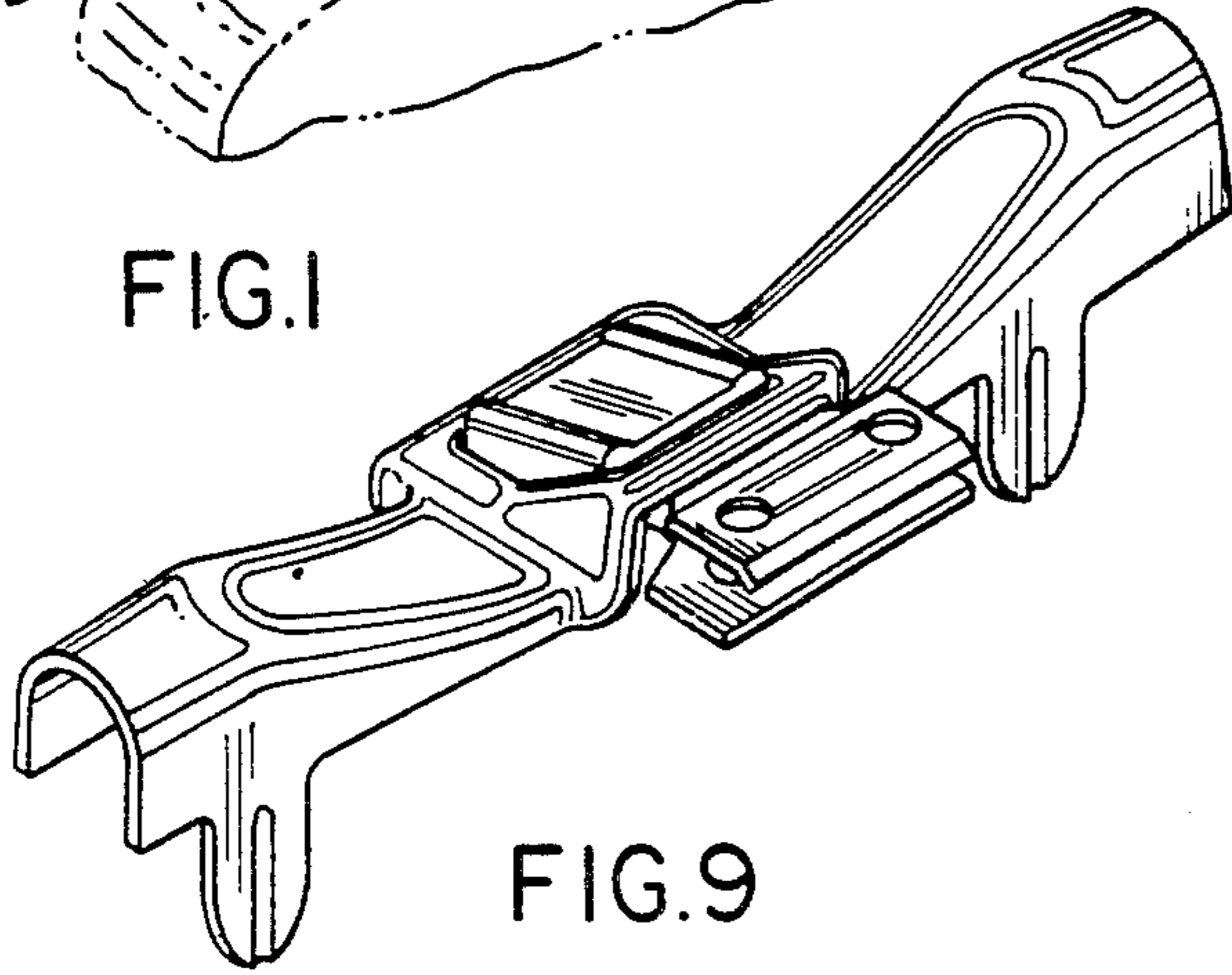


FIG. 9

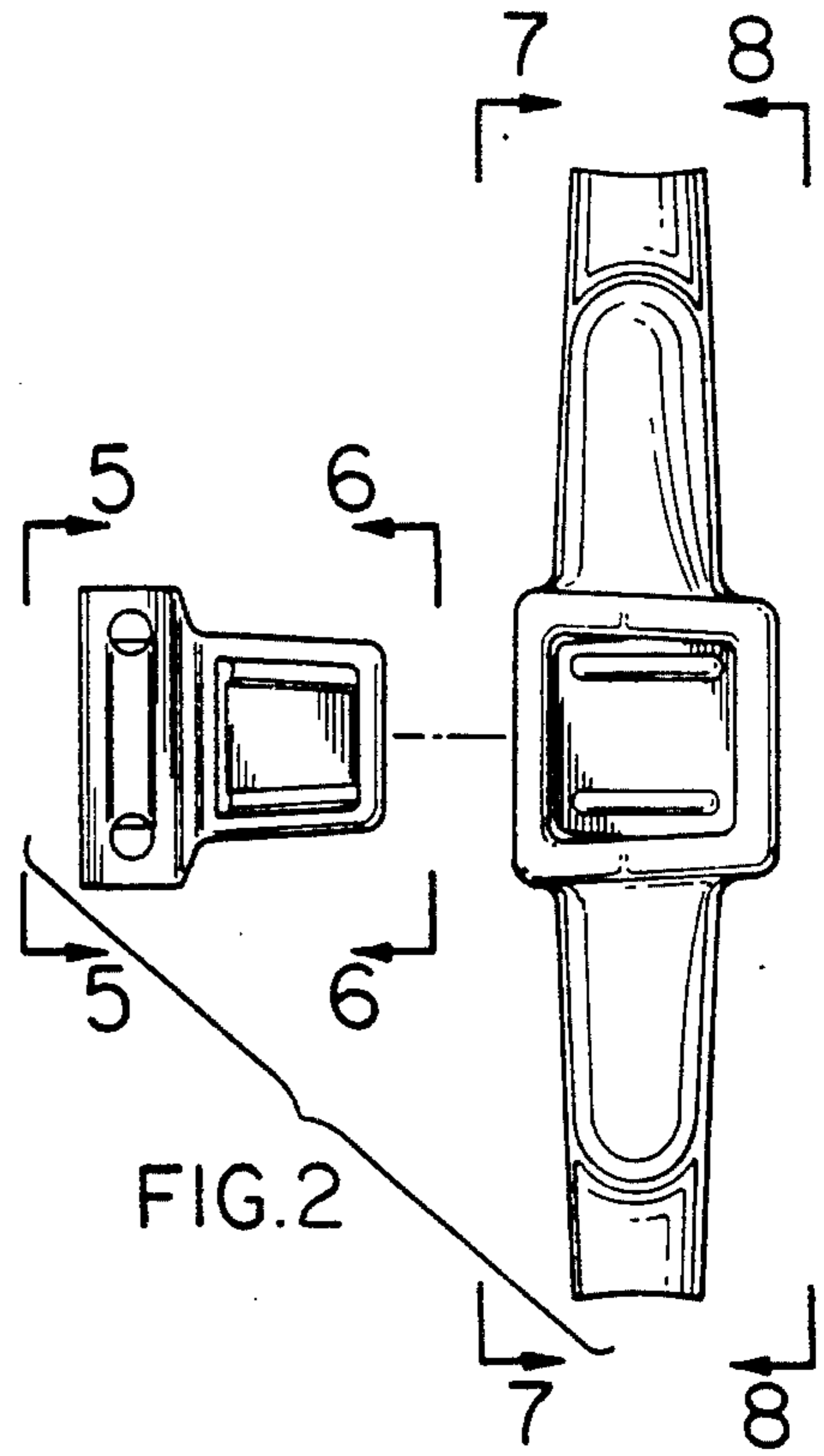


FIG. 2



FIG. 5



FIG. 6

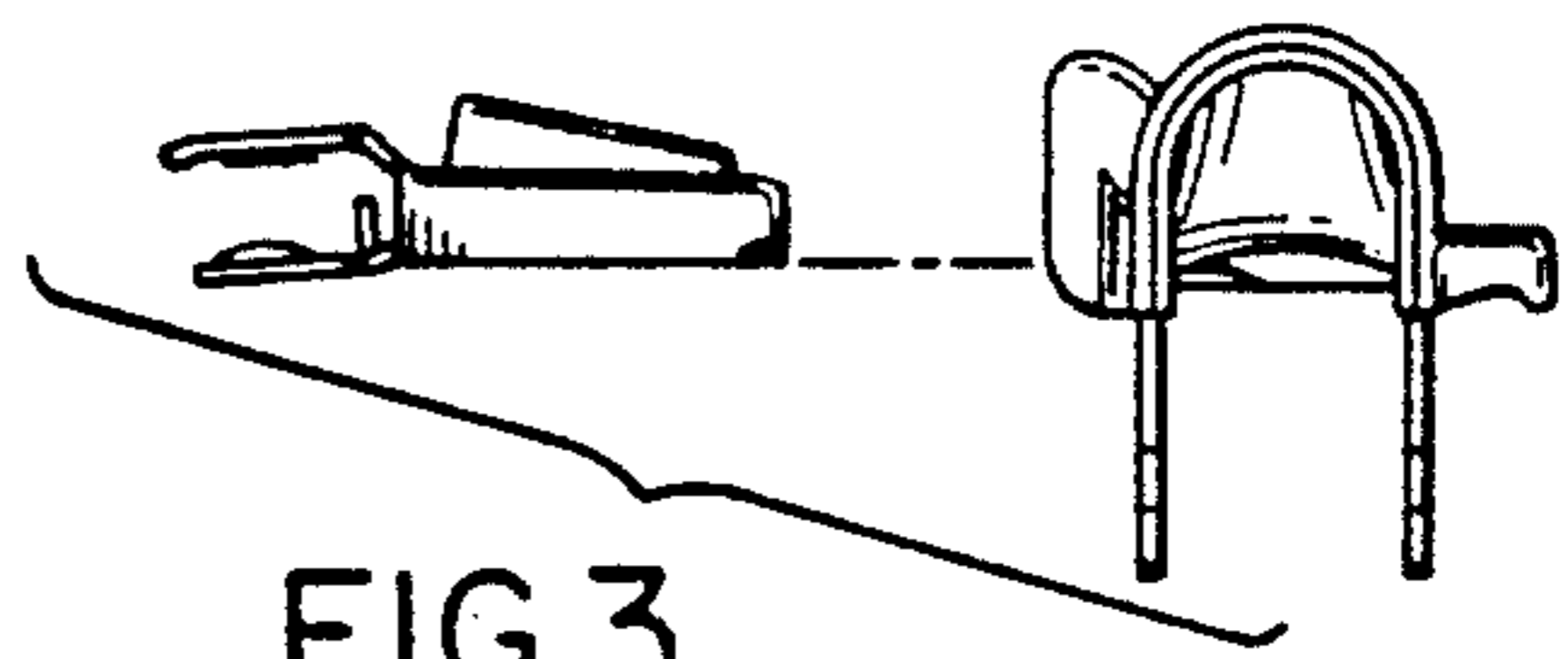


FIG. 3

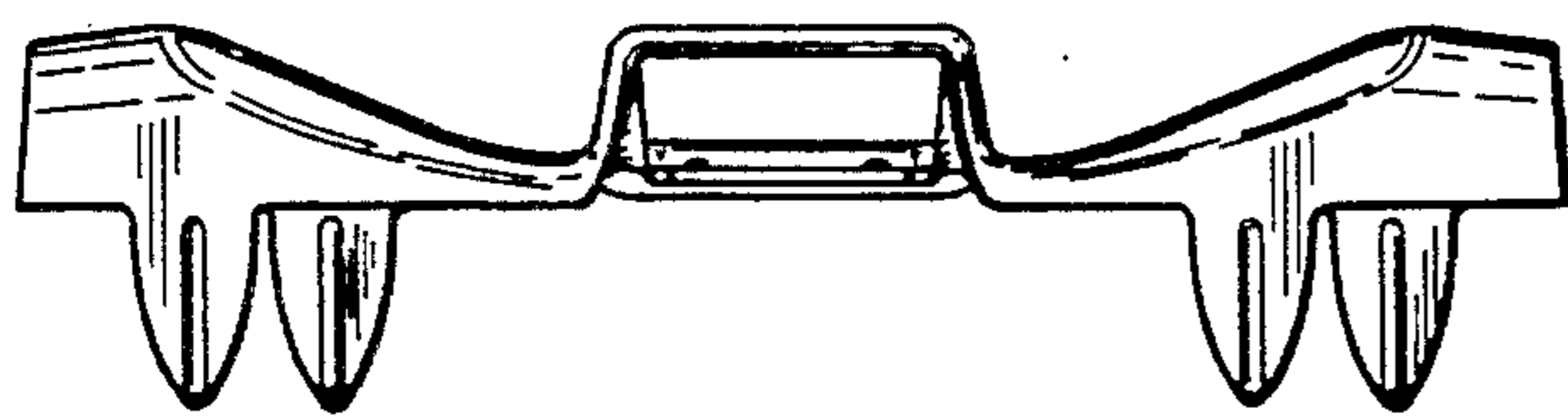


FIG. 7

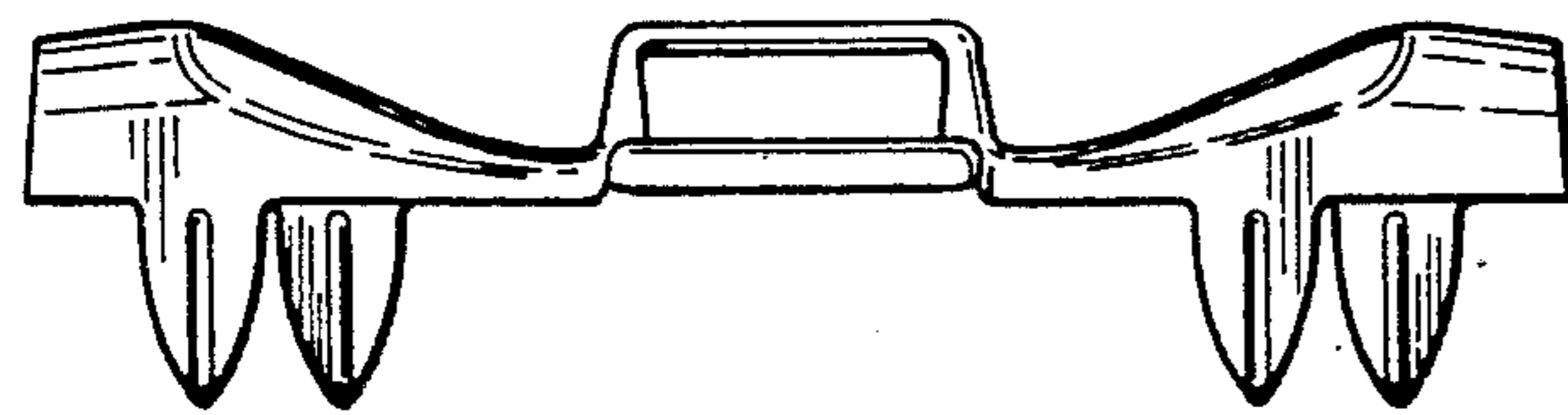


FIG. 8

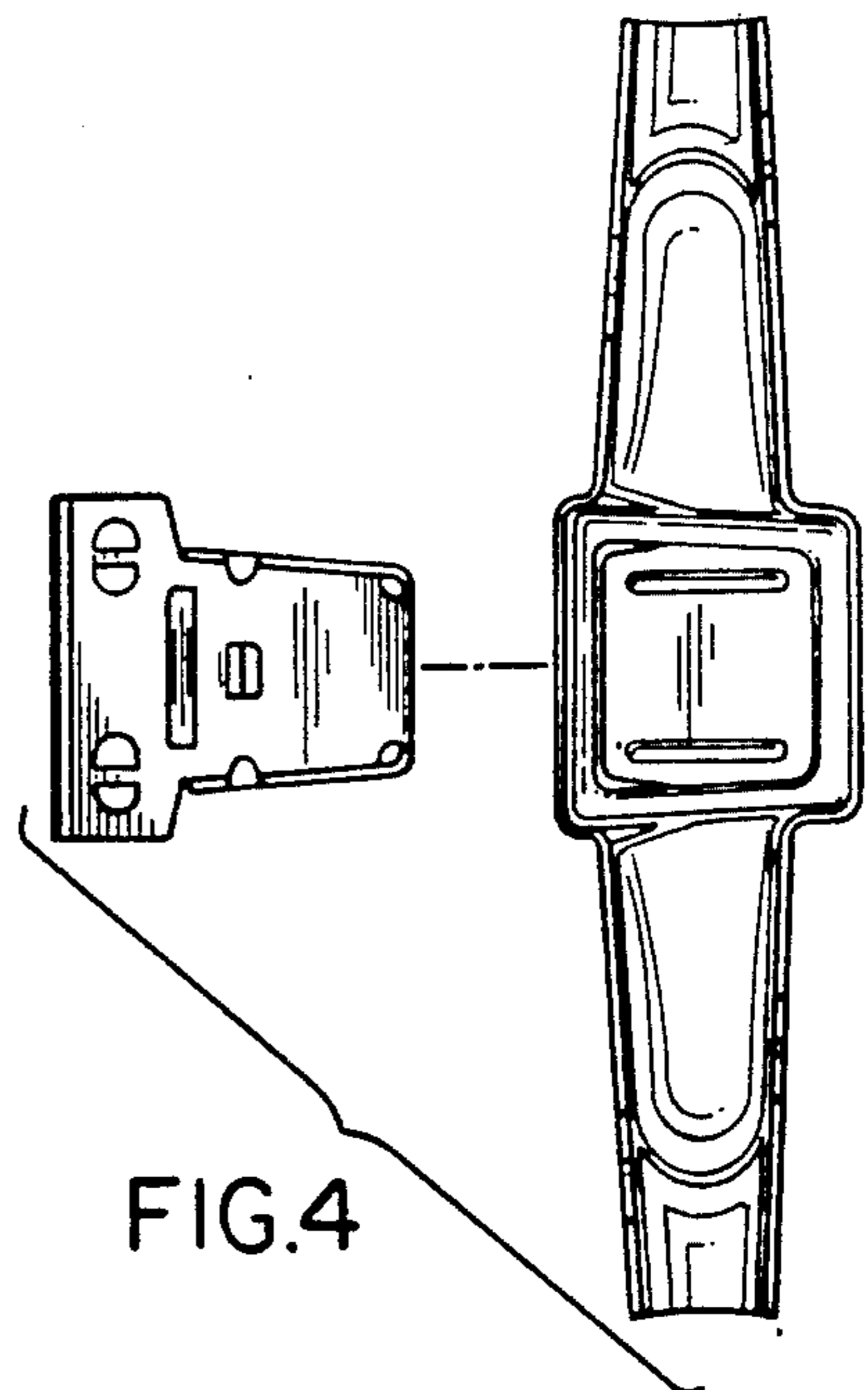


FIG. 4