

[54] DISPLAY SUPPORT FOR VEHICLES

[76] Inventor: Bengt-Olle Bengtsson, Frostavägen 1, 232 02 ÅKarp, Sweden

[\*\*] Term: 14 Years

[21] Appl. No.: 664,216

[22] Filed: Oct. 24, 1984

[30] Foreign Application Priority Data

May 9, 1984 [SE] Sweden ..... 84-1454

[52] U.S. Cl. .... D6/462; D21/143

[58] Field of Search ..... D6/462, 449, 464; 211/13, 181; D21/143; D12/50

[56] References Cited

U.S. PATENT DOCUMENTS

- D. 207,911 6/1967 Weiss et al. .... D21/143 X
- D. 235,795 7/1975 Matsumoto ..... D21/143

- D. 242,159 11/1976 Sugihara ..... D21/143
- 2,399,876 5/1946 Martin ..... D2/143 X

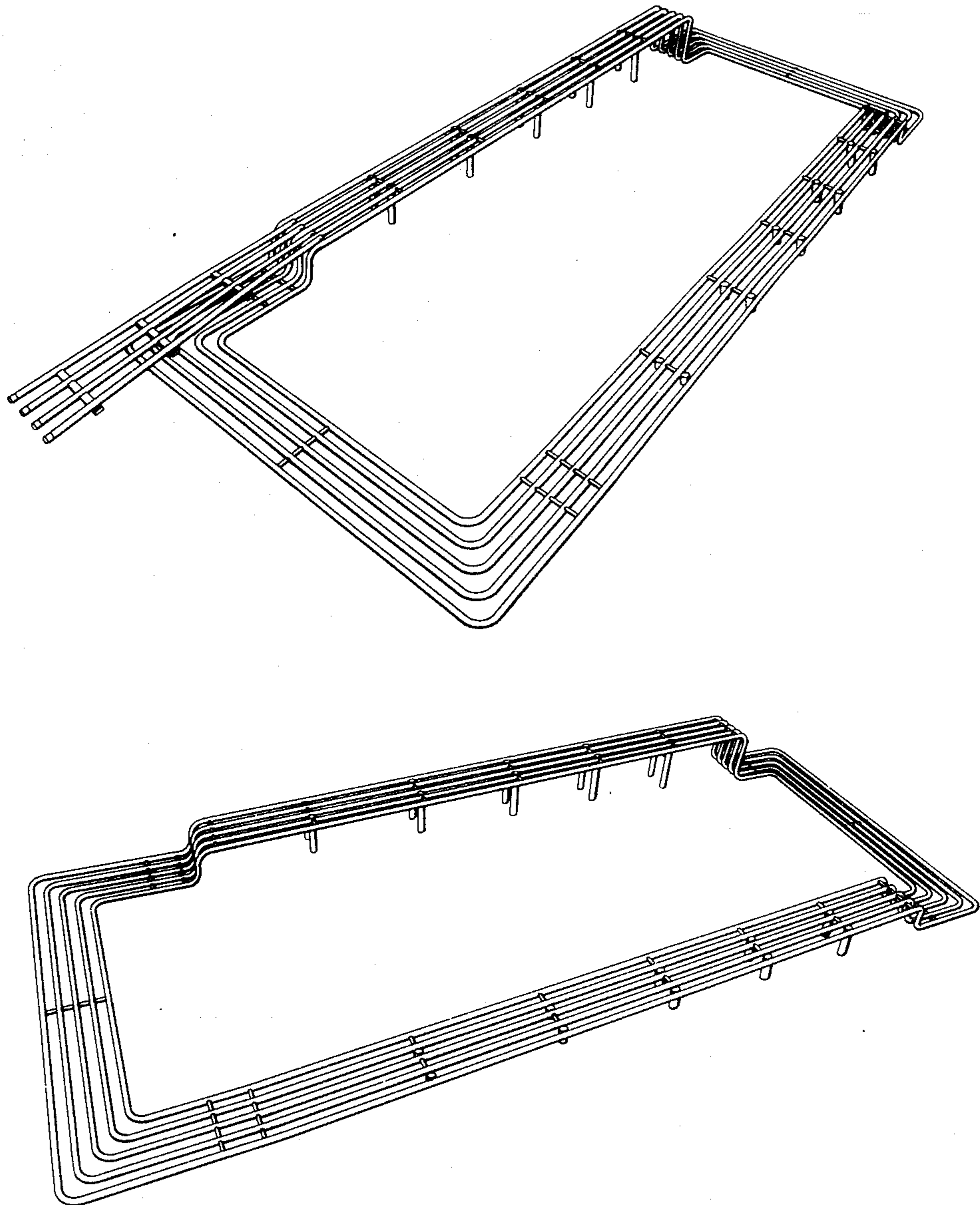
Primary Examiner—Carmen H. Vales  
Attorney, Agent, or Firm—Schwartz, Jeffery, Schwaab, Mack, Blumenthal & Evans

[57] CLAIM

The ornamental design for a display support for vehicles, as shown and described.

DESCRIPTION

FIG. 1 is a perspective view of a display support for vehicles showing my new design;  
 FIG. 2 is a perspective view with the ramp removed;  
 FIG. 3 is a bottom plan view thereof;  
 FIG. 4 is a top plan view thereof;  
 FIG. 5 is a front elevational view thereof;  
 FIG. 6 is a rear elevational view thereof;  
 FIG. 7 is a right side elevational view thereof; and  
 FIG. 8 is a left side elevational view thereof.



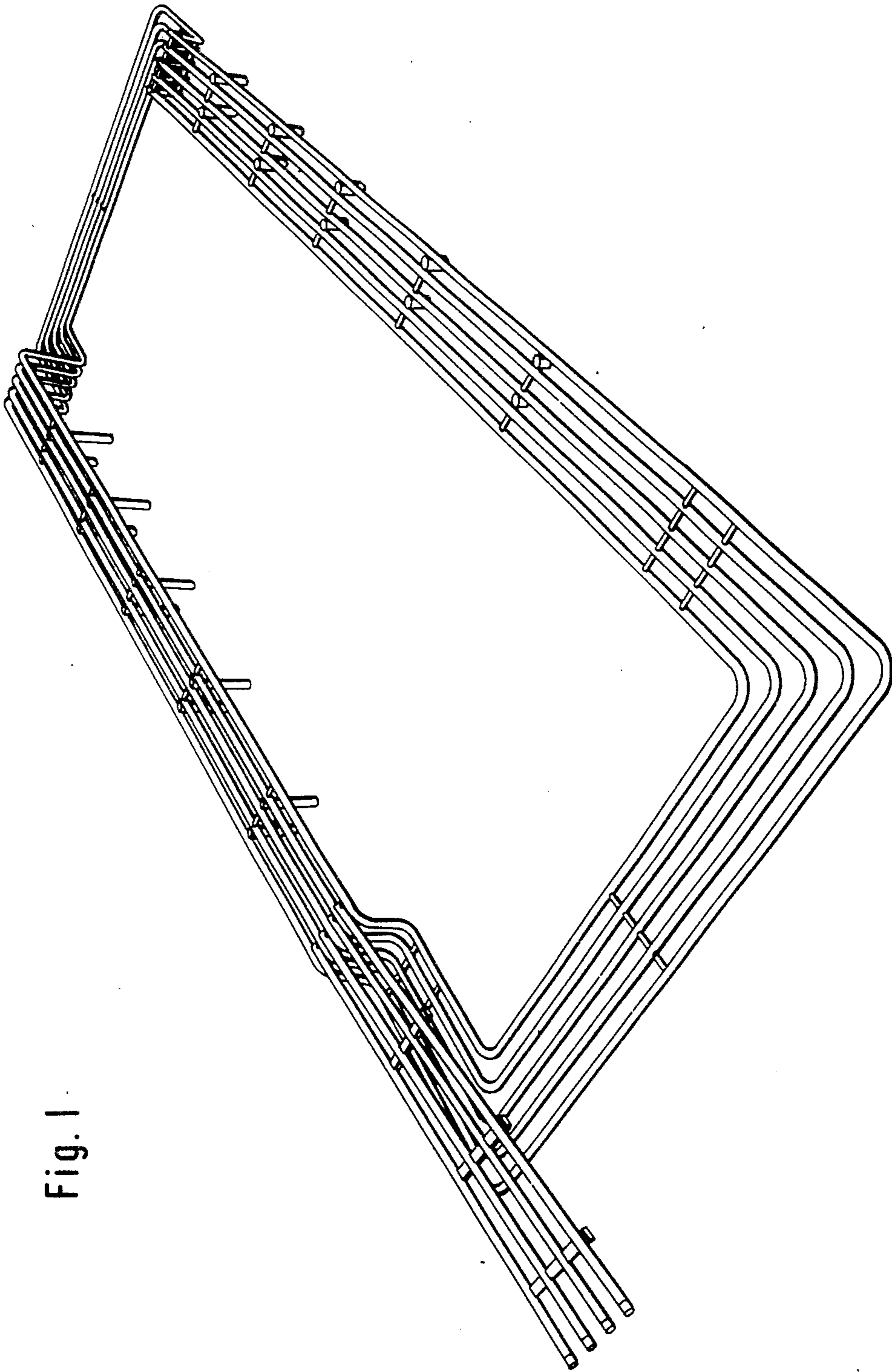
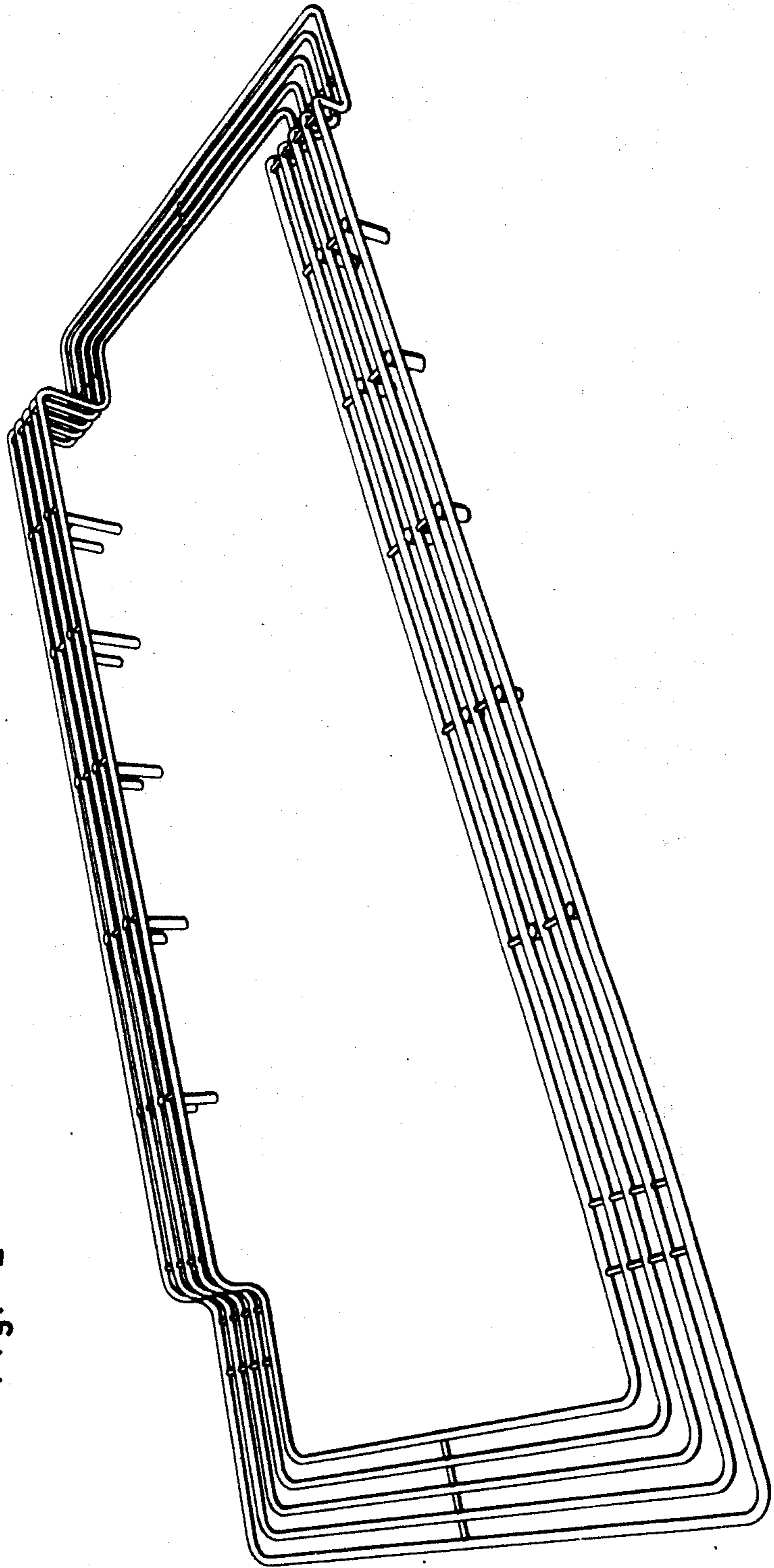


Fig. 1

Fig. 2



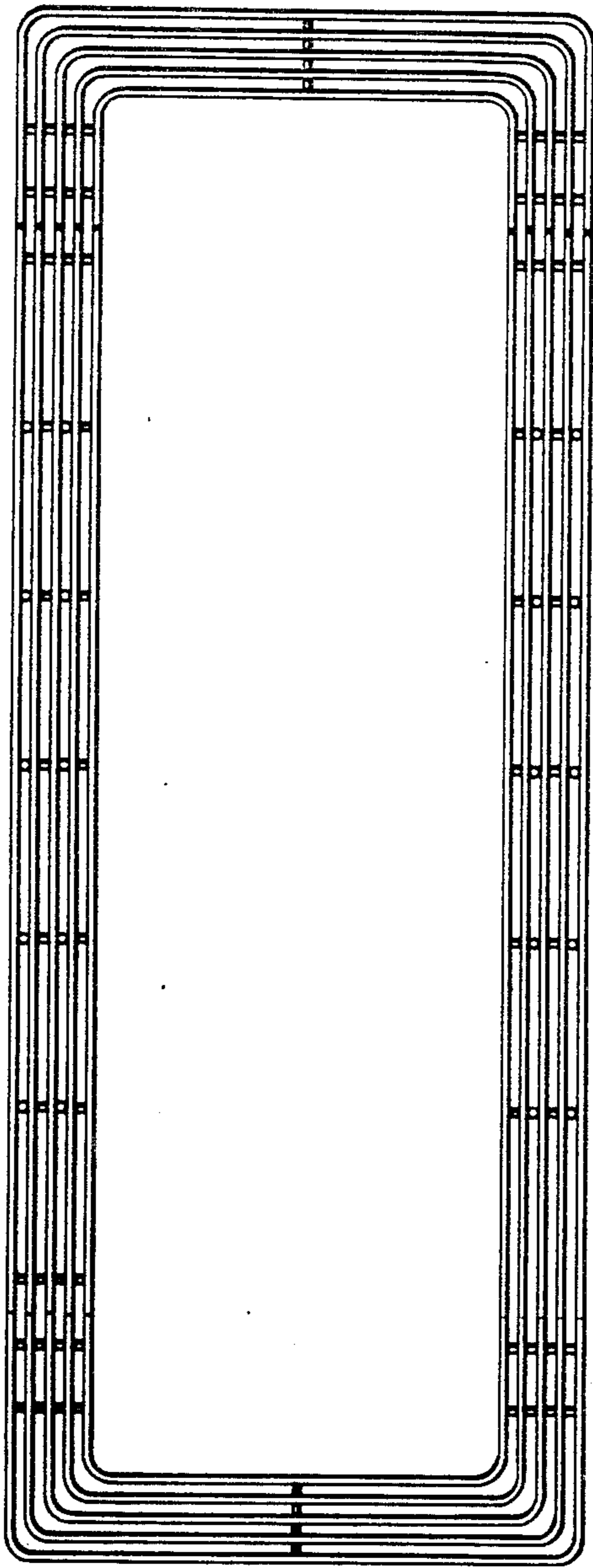


Fig. 4

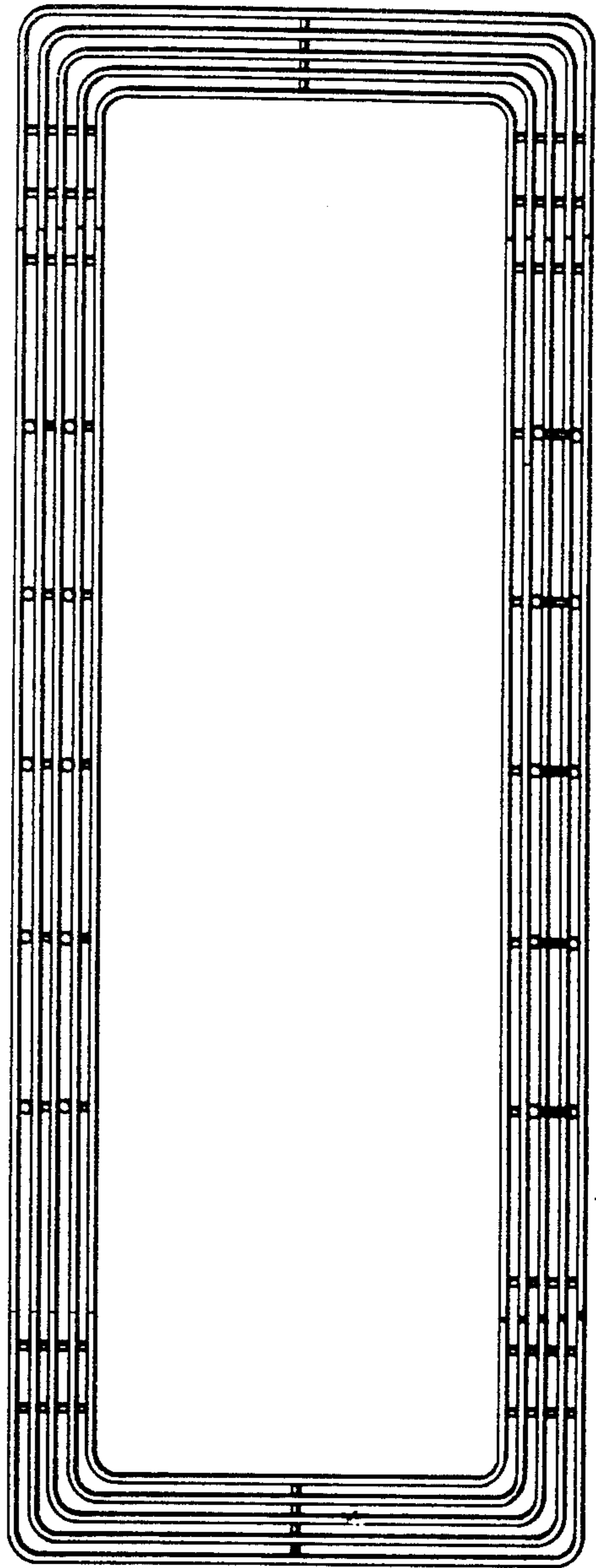


Fig. 3

Fig. 7

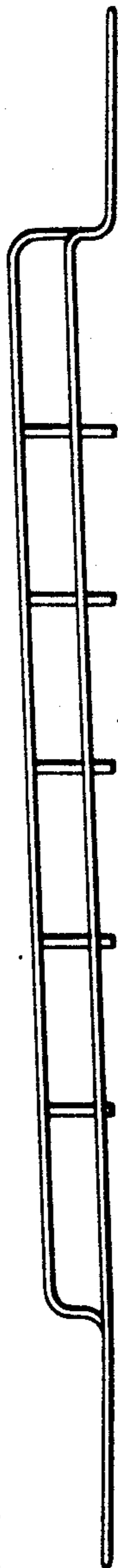


Fig. 8

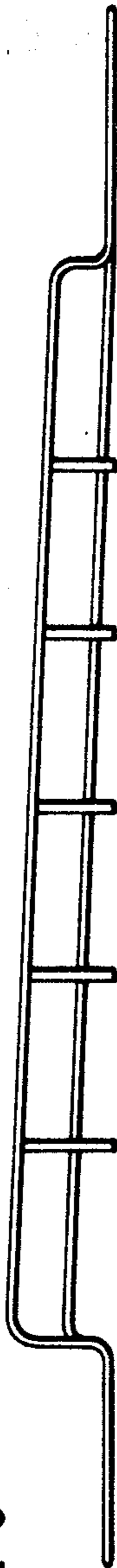


Fig. 5

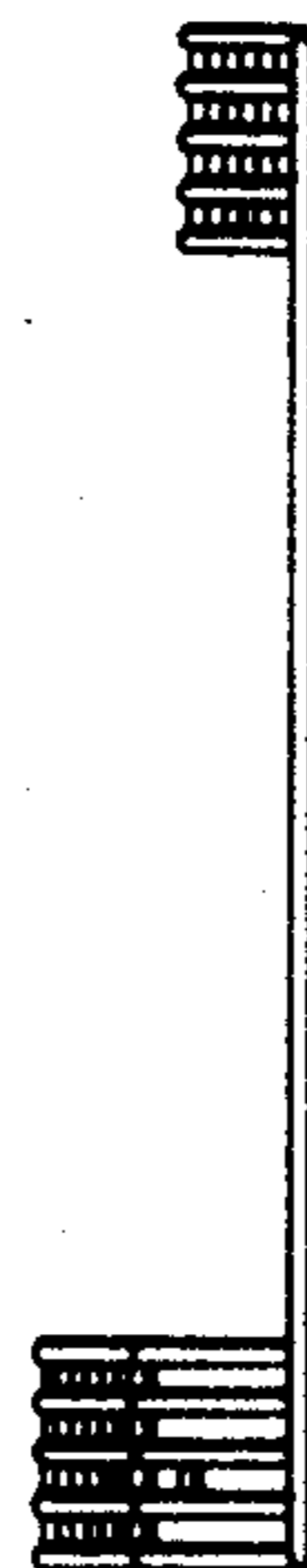


Fig. 6

