

[54] ANIMAL TOOTHBRUSH  
[76] Inventor: Norman Courney, Catherine & Wilson Sts., Middleton, Pa. 17057

3,798,698 3/1974 Conklin, Jr. .... 15/167 R  
4,134,172 1/1979 Arce ..... 15/227 X  
4,162,553 7/1979 Bruno ..... 15/167 R

[\*\*] Term: 14 Years

FOREIGN PATENT DOCUMENTS

822856 10/1937 France ..... 15/227  
544720 4/1942 United Kingdom ..... 15/227

[21] Appl. No.: 781,804

Primary Examiner—Catherine E. Kemper  
Attorney, Agent, or Firm—Norman B. Rainer

[22] Filed: Sep. 30, 1985

[52] U.S. Cl. .... D4/103

[58] Field of Search ..... D4/103-113;  
15/167 R, 227

[57] CLAIM

The ornamental design for an animal toothbrush, substantially as shown and described.

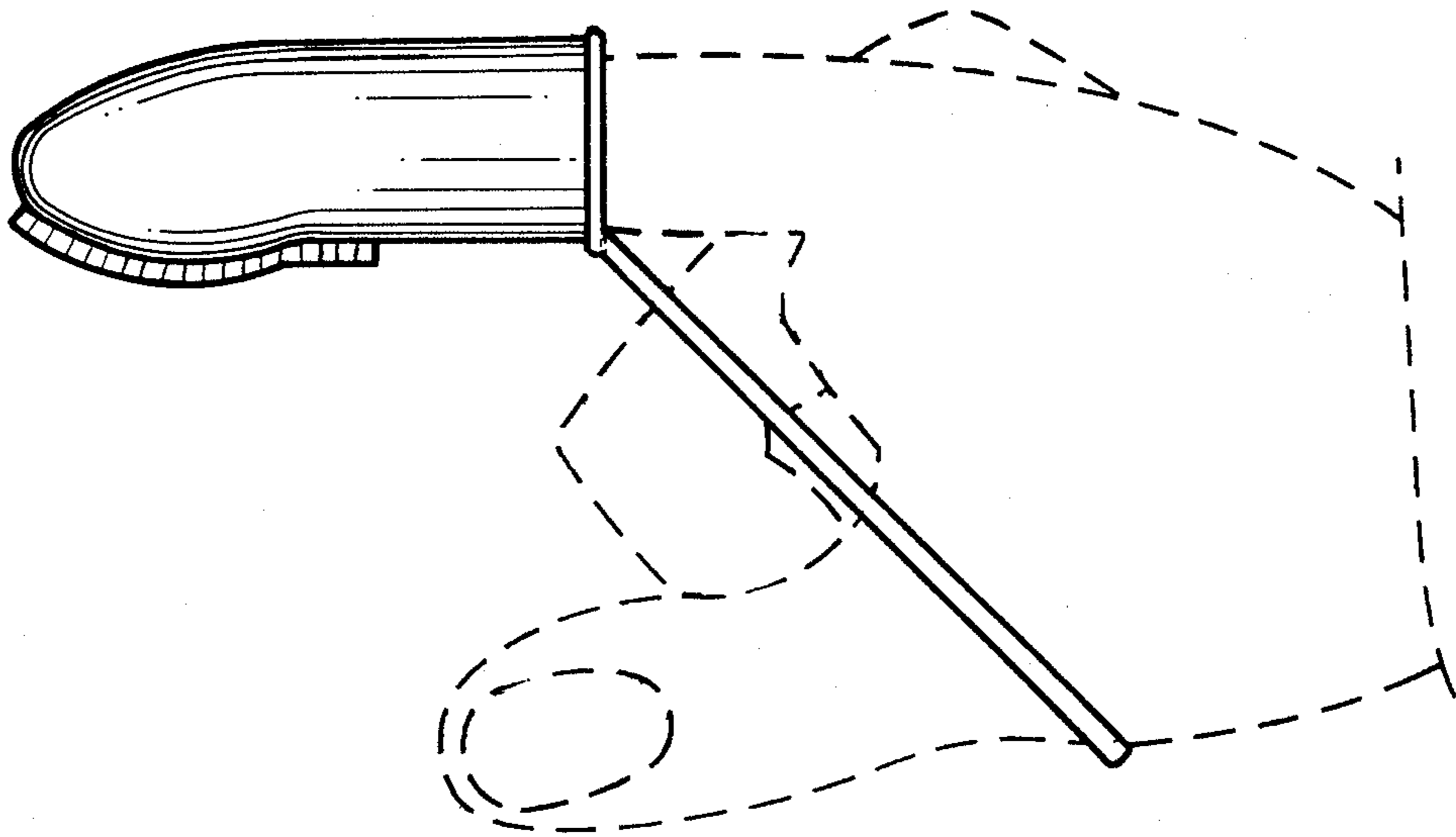
[56] References Cited

U.S. PATENT DOCUMENTS

D. 97,360	10/1935	Stevens	.....	D4/103
628,185	7/1899	Richards	.....	15/227
1,168,998	1/1916	Brandenburg	.....	15/167 R
1,200,596	10/1916	Daly	.....	15/227
2,068,400	1/1937	De Rome	.....	15/227
2,167,129	7/1939	Sleeper	.....	15/227
2,396,548	3/1946	Allen	.....	15/167 R
2,921,590	1/1960	Holton	.....	132/84
3,368,668	2/1968	Nucciche	.....	206/46
3,583,019	6/1971	Conklin, Jr.	.....	15/167 R

DESCRIPTION

FIG. 1 is a side elevational view of an animal toothbrush, showing my new design, the opposite side being a mirror image thereof;  
FIG. 2 is a right end elevational view thereof;  
FIG. 3 is a left end elevational view thereof;  
FIG. 4 is a top plan view thereof;  
FIG. 5 is a bottom plan view thereof.  
The broken line disclosure shown in FIG. 1 is for illustrative purposes only and forms no part of the claimed design.



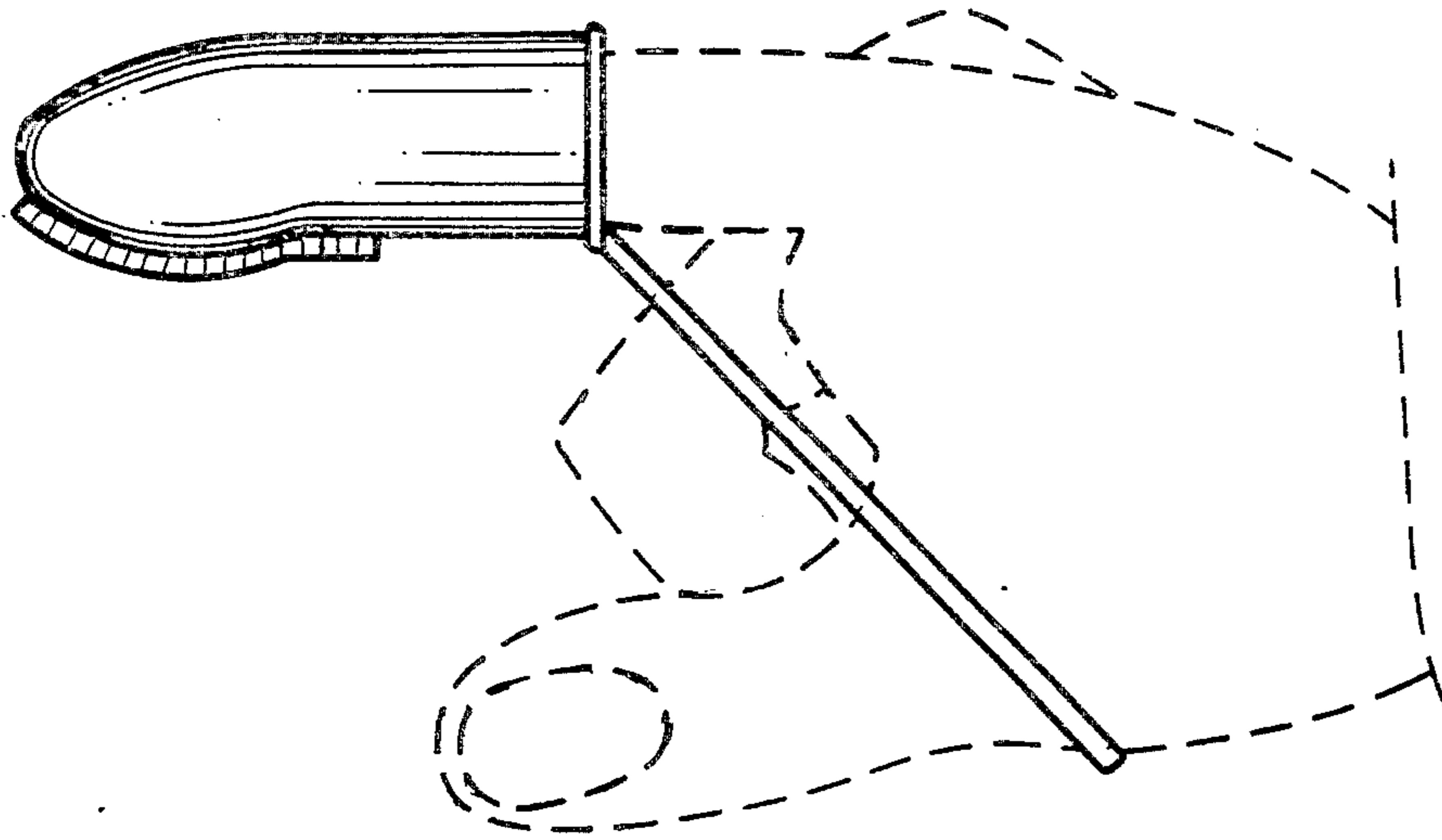


Fig.1

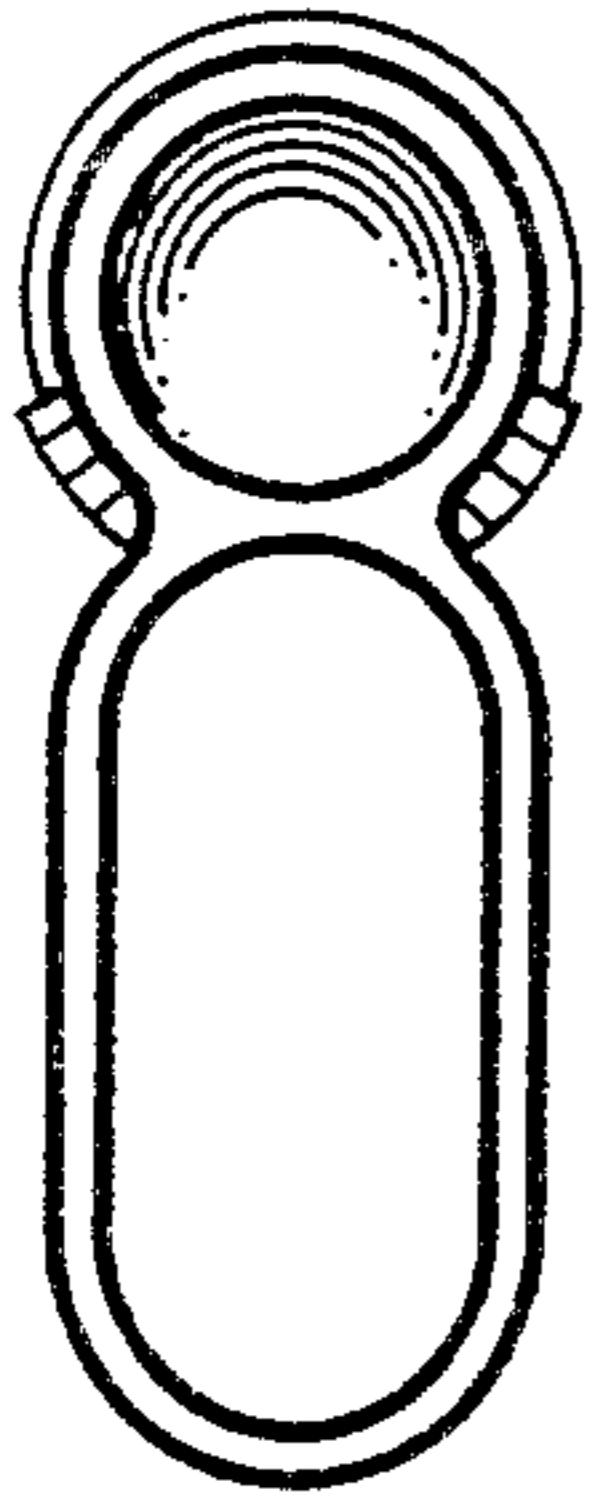


Fig.2

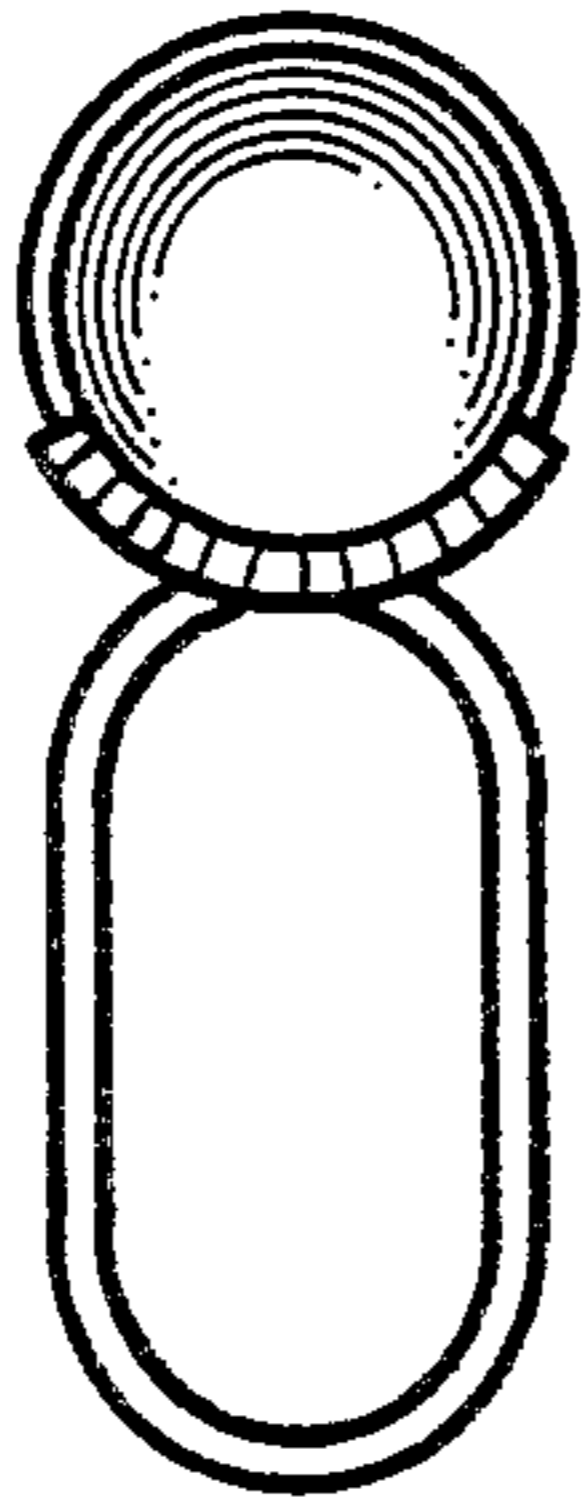


Fig.3

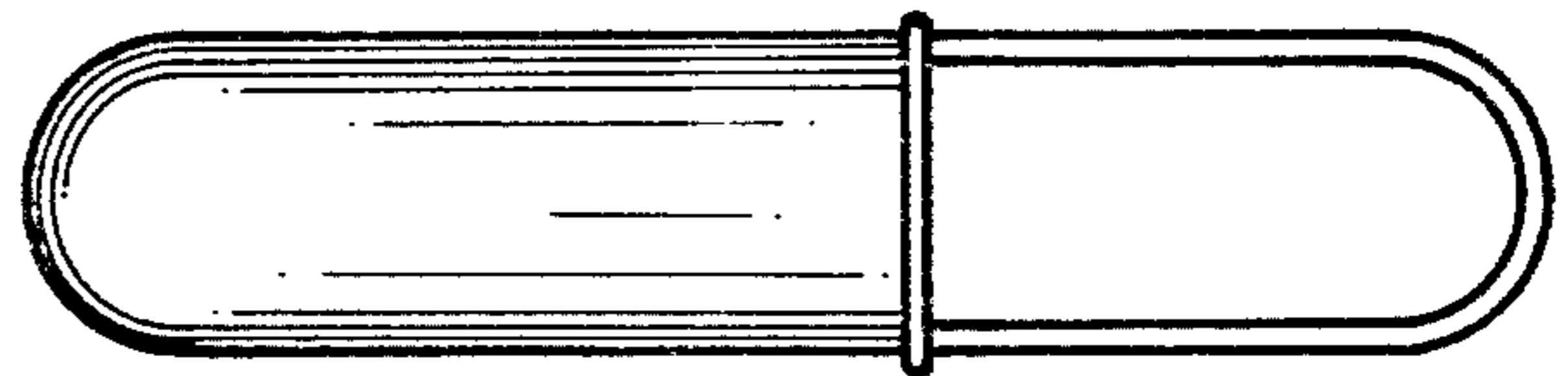


Fig.4

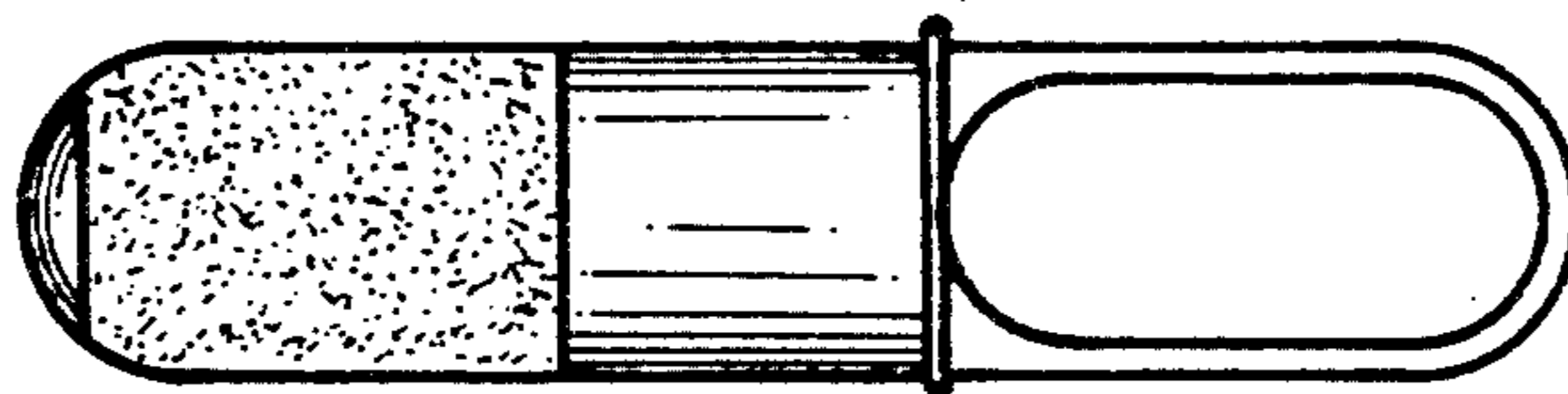


Fig.5