

[54] **CARPET BRUSH**

4,519,113 5/1985 Hipple 15/335

[75] **Inventor: Rolf Strohmeier, Wuppertal, Fed. Rep. of Germany**

[73] **Assignee: Vorwerk & Co. Elektrowerke KG., Wuppertal, Fed. Rep. of Germany**

[**] **Term: 14 Years**

[21] **Appl. No.: 683,706**

[22] **Filed: Dec. 19, 1984**

[52] **U.S. Cl. D32/32**

[58] **Field of Search D32/19-20, D32/21-22, 24-25, 31-33; 15/350, 321-322, 354, 366, 378-379, 400, 415 R, 415 A, 417-419, 420-421, 422, 256.5, 373, 398-399, 334-335**

[56] **References Cited**

U.S. PATENT DOCUMENTS

- D. 238,139 12/1975 Goodrich D32/31
- D. 269,558 6/1983 Essex D32/22

OTHER PUBLICATIONS

GE's Cleaner, May 1959, p. 5. Assembly.

Primary Examiner—Wallace R. Burke
Assistant Examiner—Ruth E. Takemoto
Attorney, Agent, or Firm—Walter Ottesen

[57] **CLAIM**

The ornamental design for a carpet brush, as shown and described.

DESCRIPTION

FIG. 1 is a perspective view of a carpet brush showing my new design;
FIG. 2 is a top plan view thereof;
FIG. 3 is a right side elevational view thereof;
FIG. 4 is a front elevational view thereof;
FIG. 5 is a left side elevational view thereof; and,
FIG. 6 is a rear elevational view thereof.
The undisclosed bottom is conventional and unornamented.

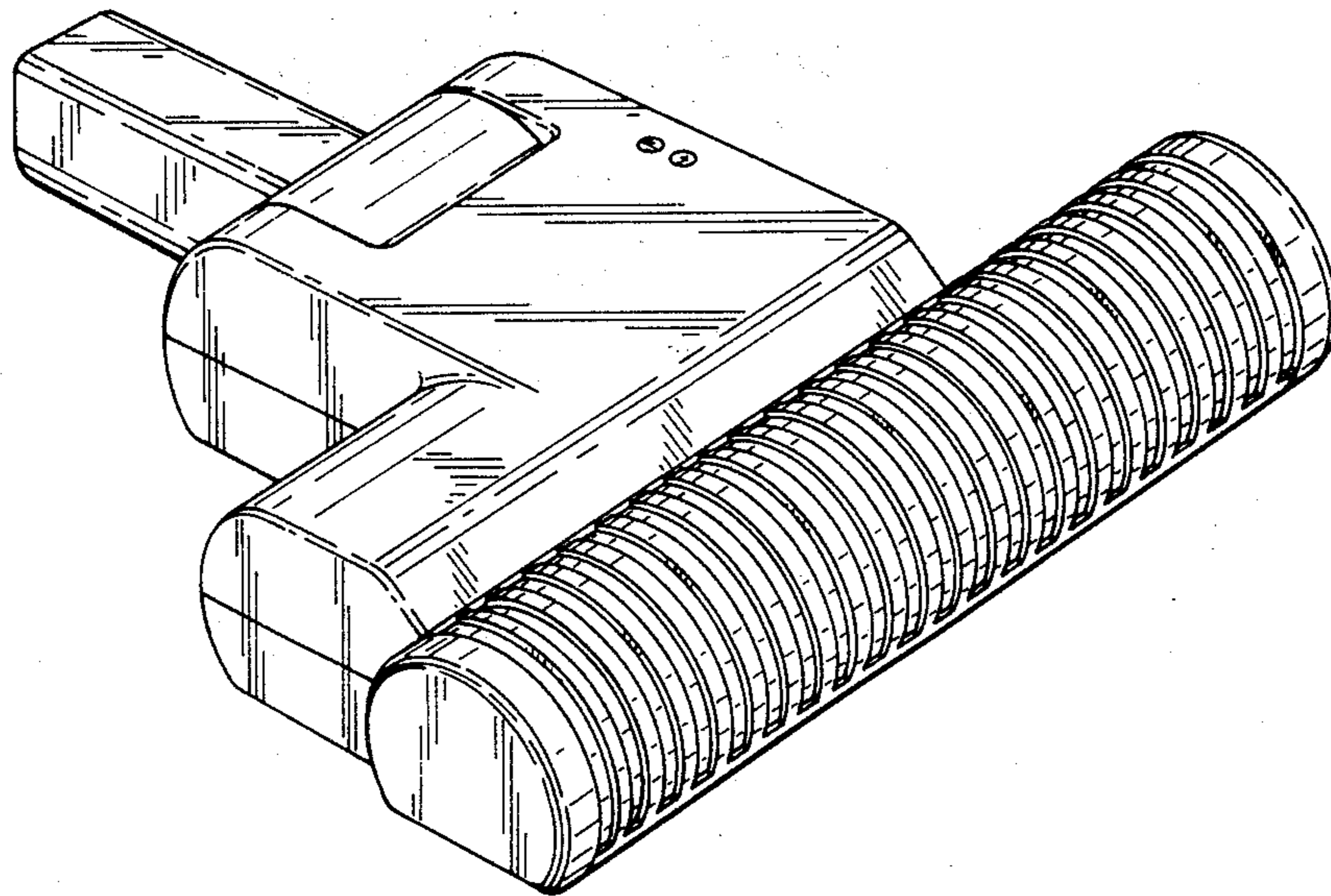
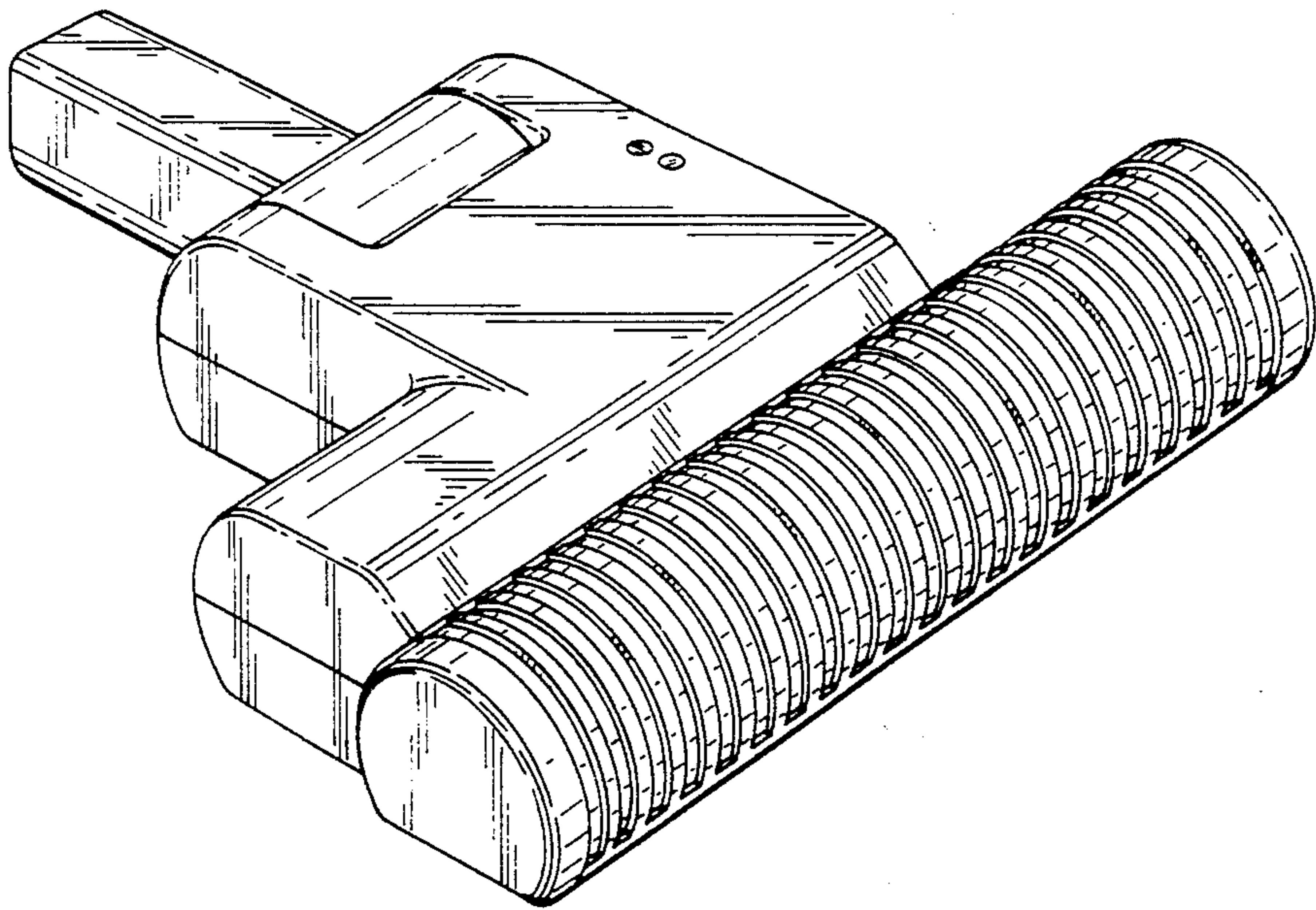


FIG. 1



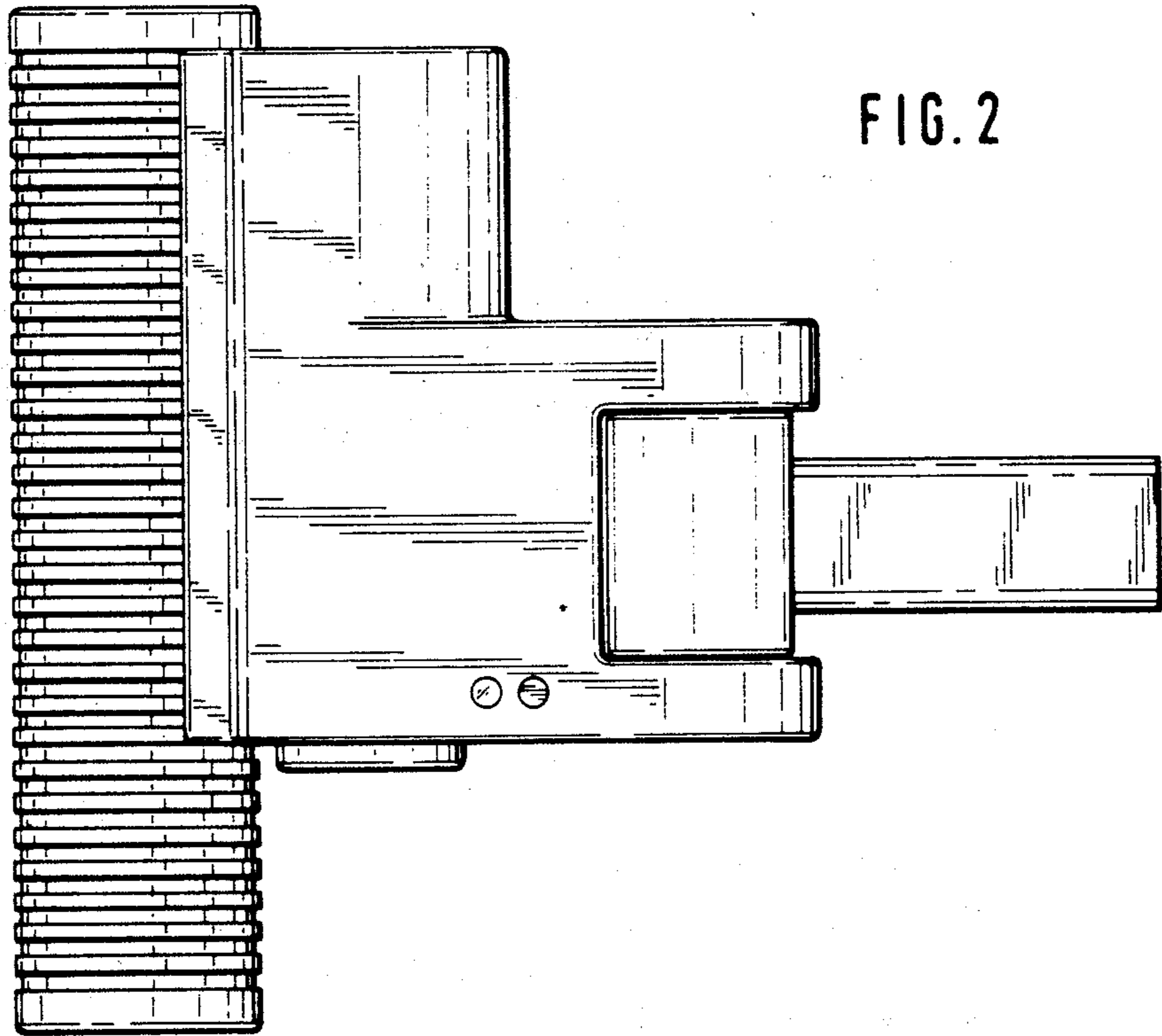


FIG. 3

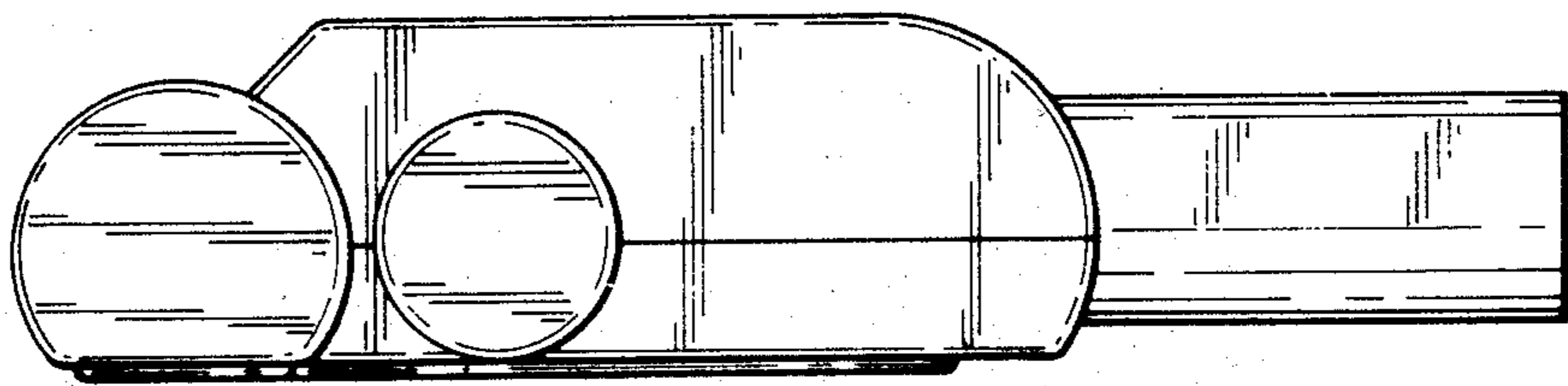


FIG. 4

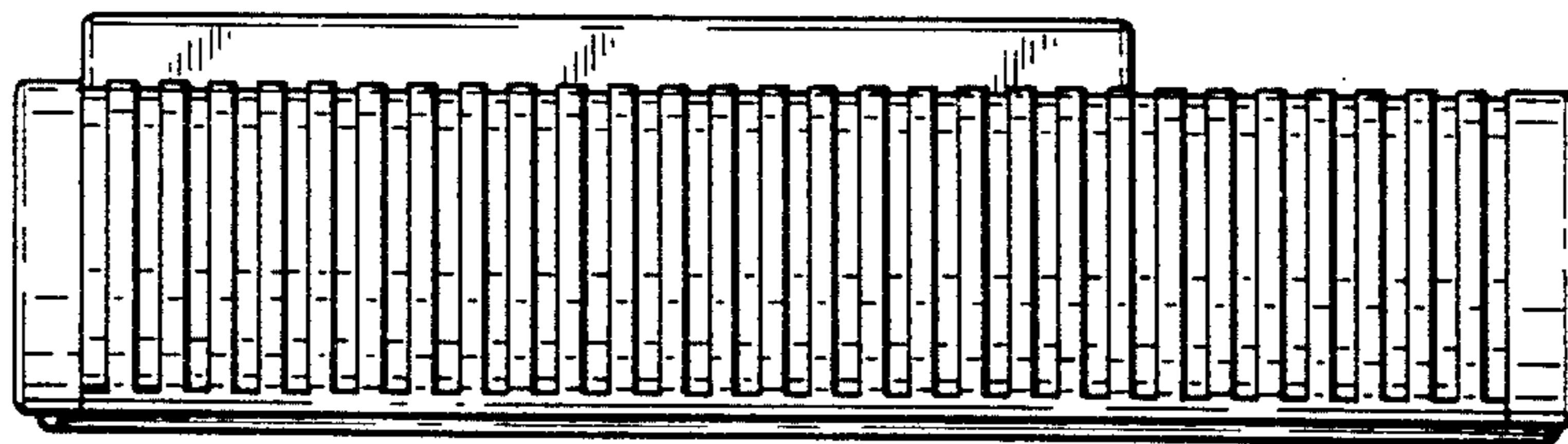


FIG. 5

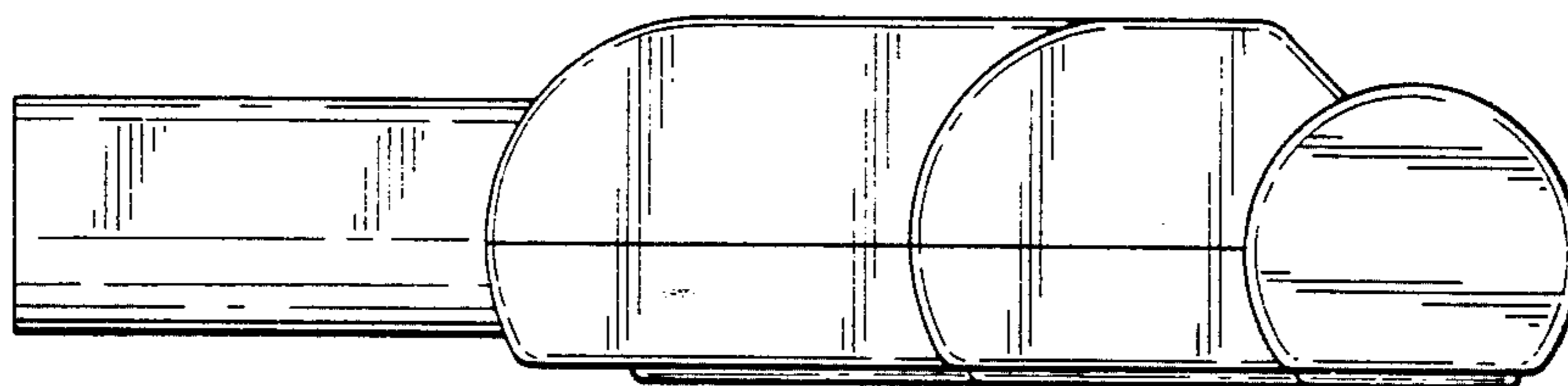


FIG. 6

