

[54] VACUUM CLEANER

[75] Inventor: Chung S. Leung, Tsuen Wan, Hong Kong

[73] Assignee: Foster Industries Company Limited, Tsuen Wan, Hong Kong

[\*\*] Term: 14 Years

[21] Appl. No.: 640,599

[22] Filed: Aug. 14, 1984

[30] Foreign Application Priority Data

Jun. 26, 1984 [GB] United Kingdom ..... 1 020 520

[52] U.S. Cl. .... D32/18

[58] Field of Search ..... D32/1, 17-18, D32/21, 24-25, 30-34; 15/146, 143 A, 323, 329, 344, 412, 300 R, 352, 354, 361, 363-364, 415 R, 415 A, 416, 419, 420-422

[56] References Cited

U.S. PATENT DOCUMENTS

D. 257,661 12/1980 Gantz ..... D32/18  
D. 274,381 6/1984 Chiu ..... D32/18

OTHER PUBLICATIONS

Hong Kong Enterprise, vol. 9, 1982, p. 232, Stylish Vacuum Cleaner with High Suction Power and p. 145. No. 9806-Design No. 996904.  
Evans 1980-81 Catalog, ©1980, p. 388, Item 3-Car-Vac.

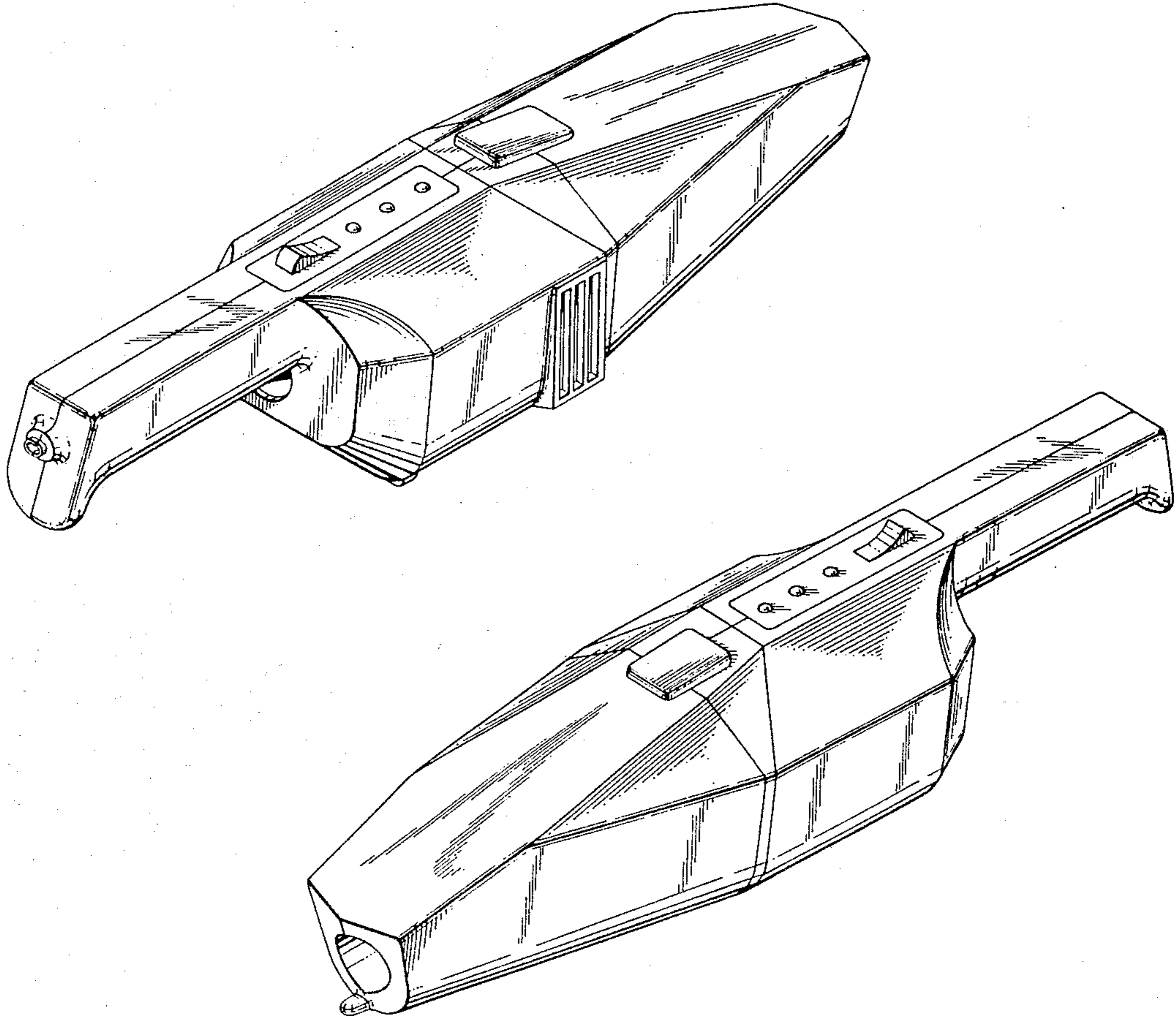
Primary Examiner—Wallace R. Burke  
Assistant Examiner—Ruth E. Takemoto  
Attorney, Agent, or Firm—Wenderoth, Lind & Ponack

[57] CLAIM

The ornamental design for vacuum cleaner, substantially as shown.

DESCRIPTION

FIG. 1 is a rear perspective view from above and the right side of a vacuum cleaner showing my new design; FIG. 2 is a front perspective view thereof from above and the left side; FIG. 3 is a left side elevational view thereof; FIG. 4 is a right side elevational view thereof; FIG. 5 is a top plan view thereof; FIG. 6 is a bottom plan view thereof; FIG. 7 is a front elevational view thereof; and FIG. 8 is a rear elevational view thereof.



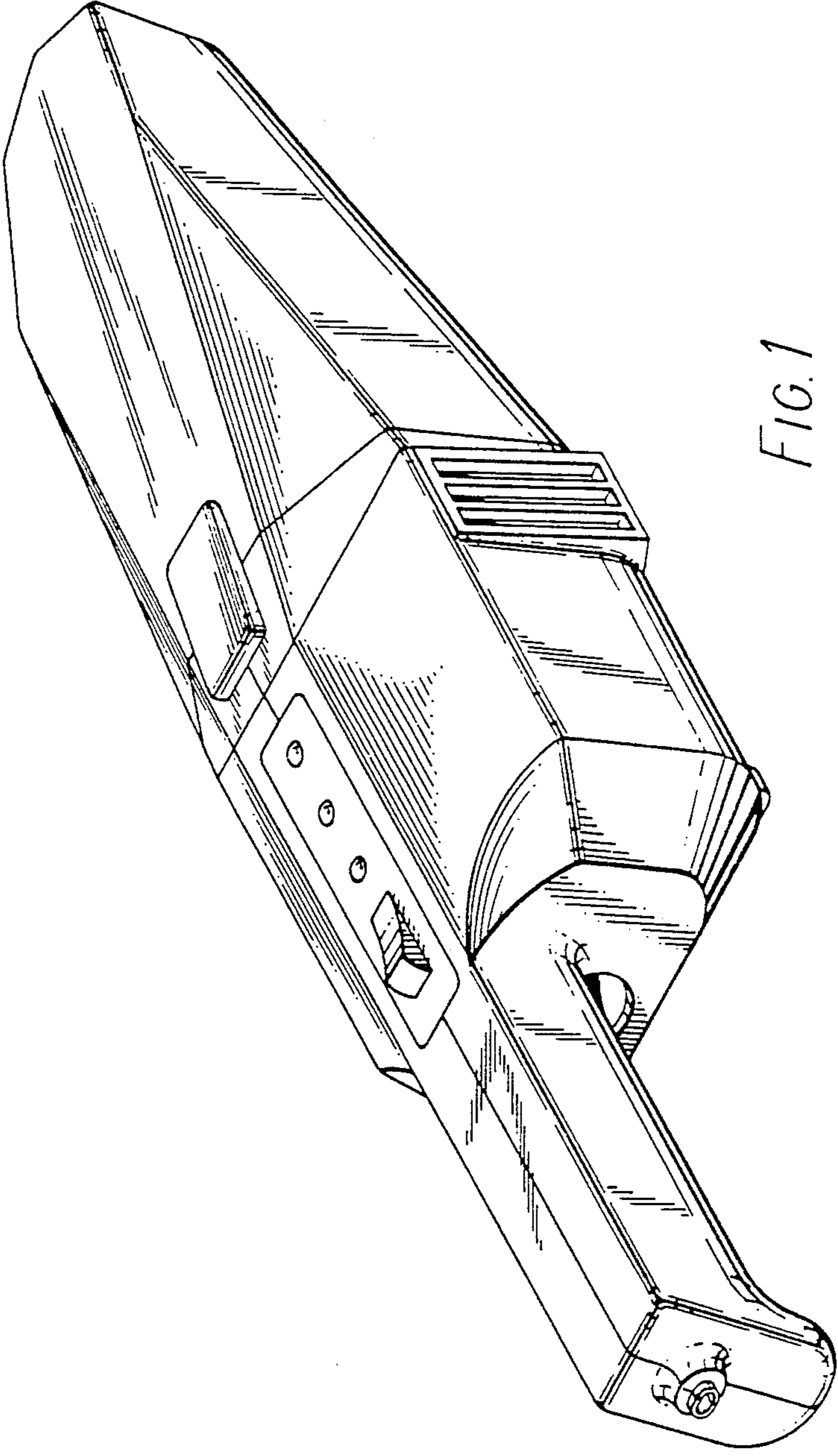


FIG. 1

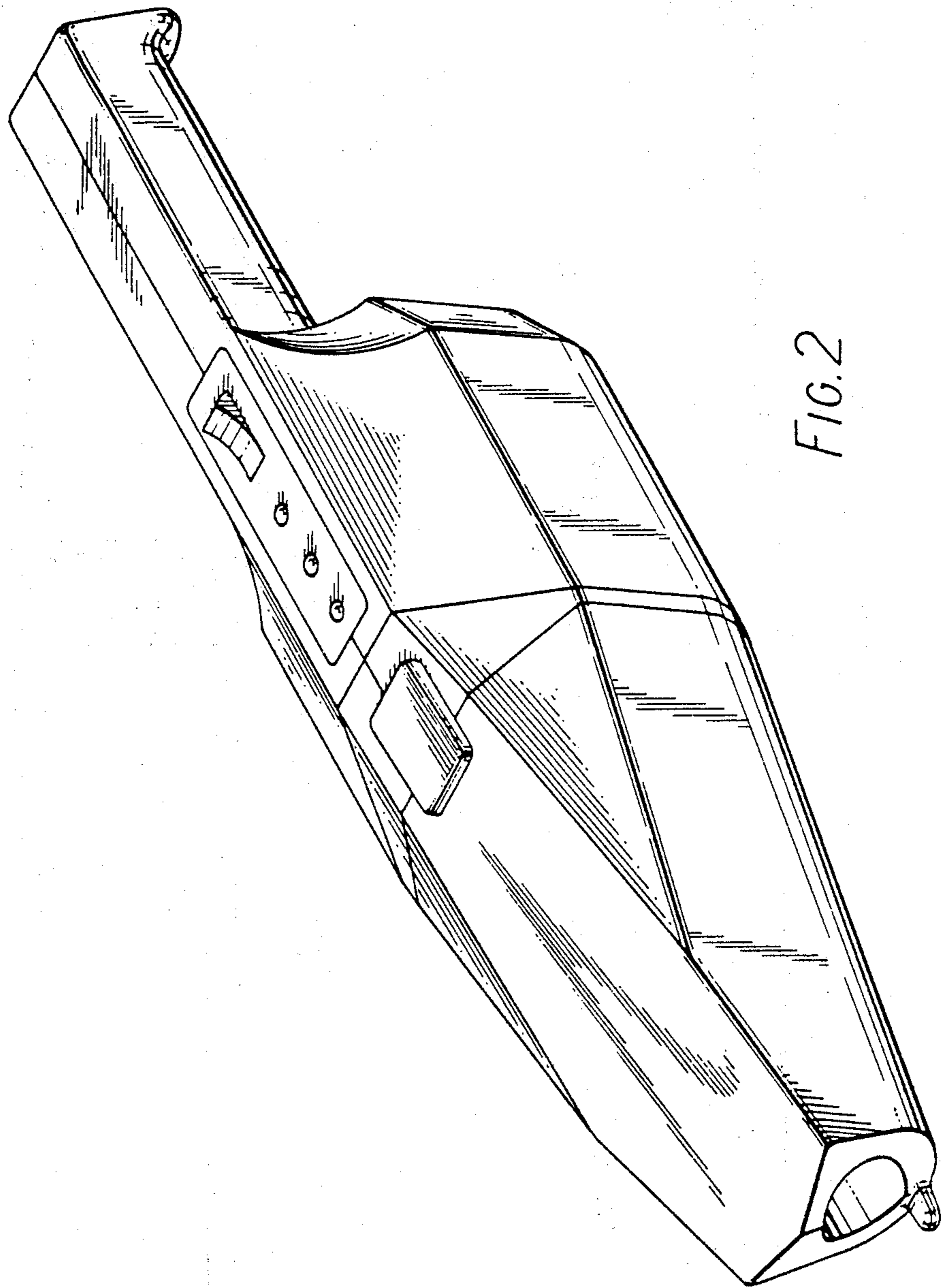
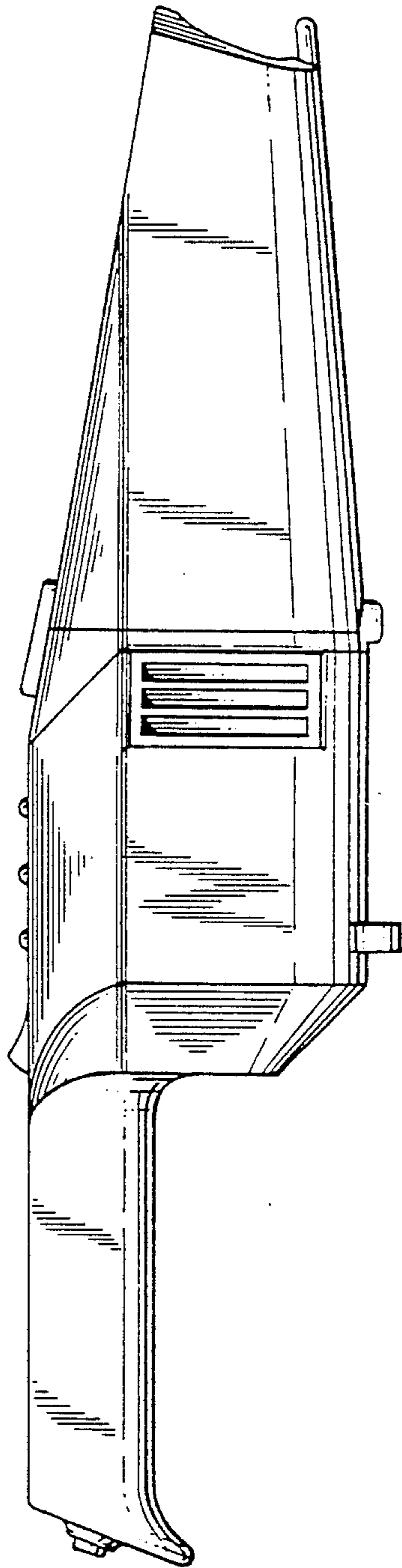
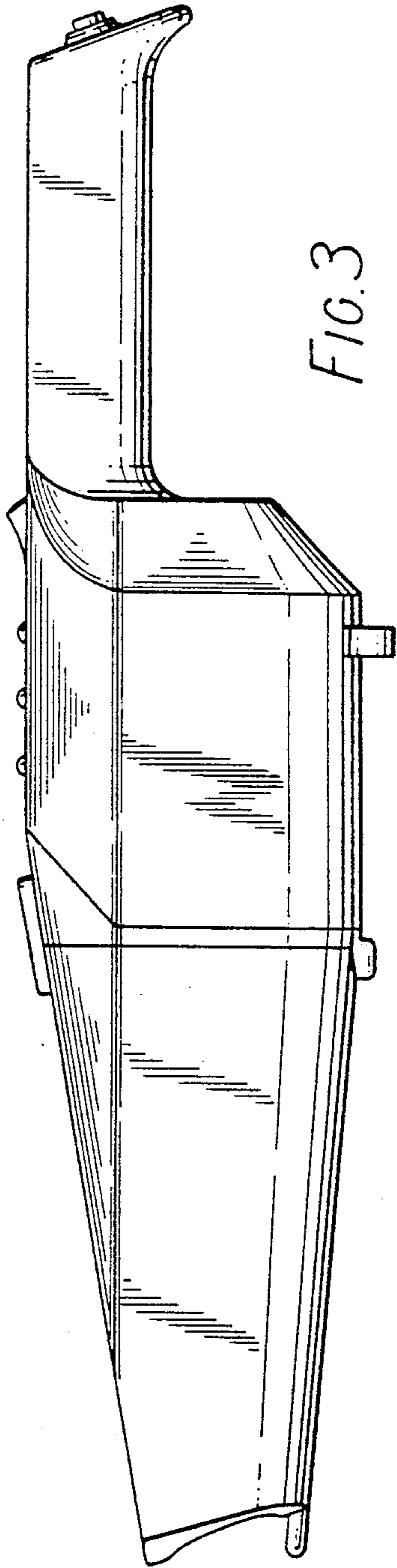


FIG. 2



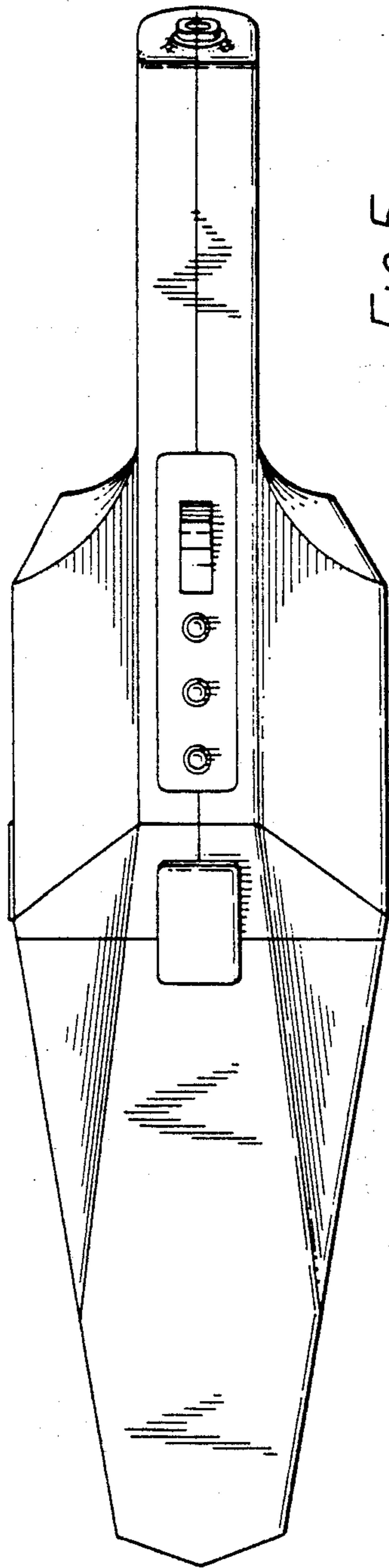


FIG. 5

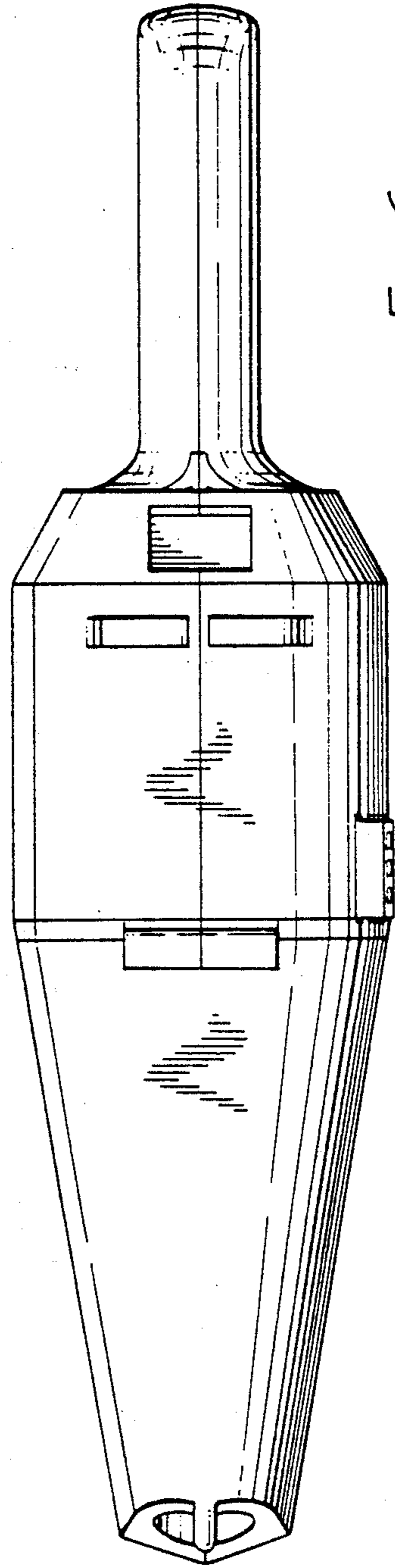


FIG. 6

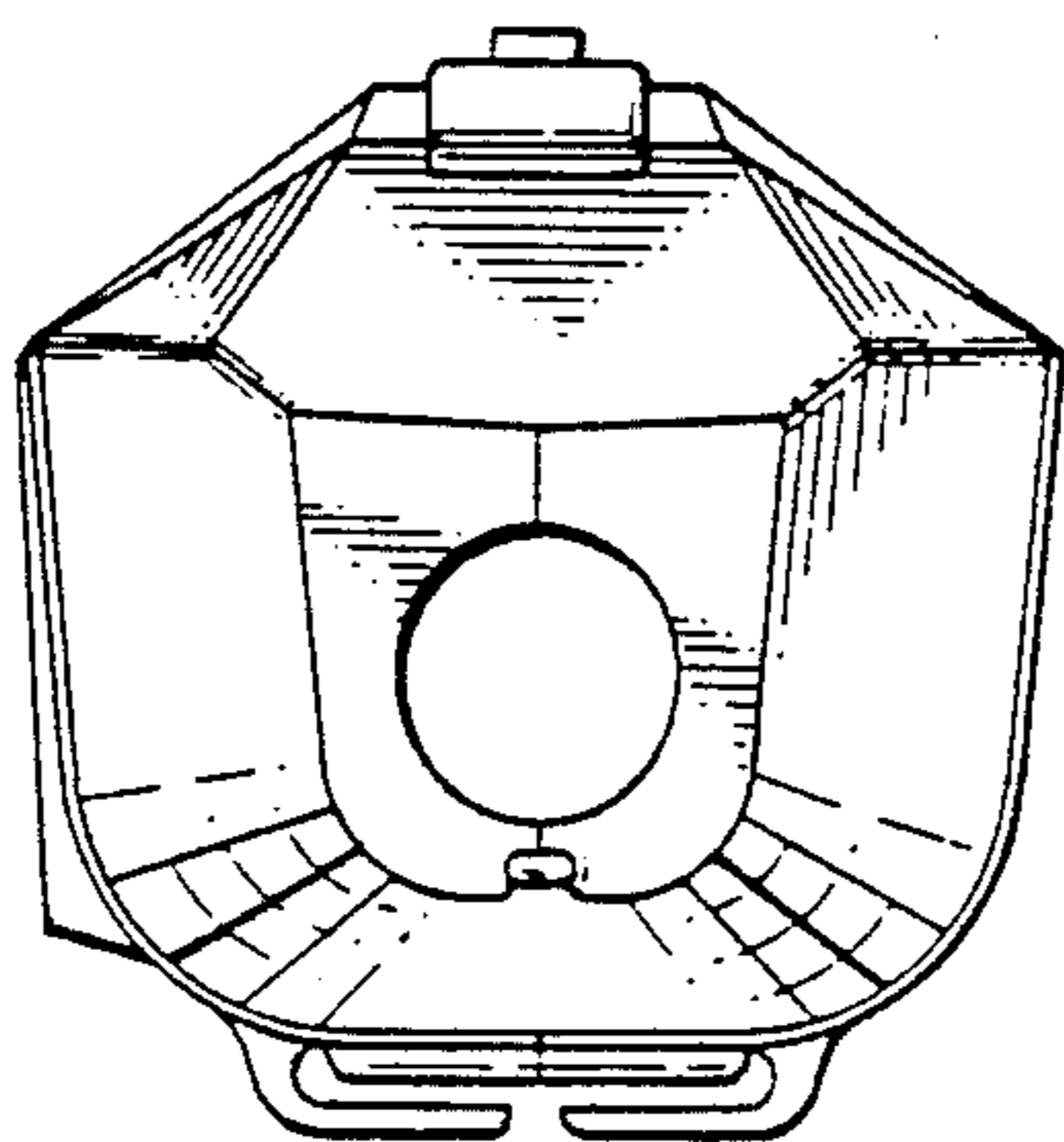


FIG. 7

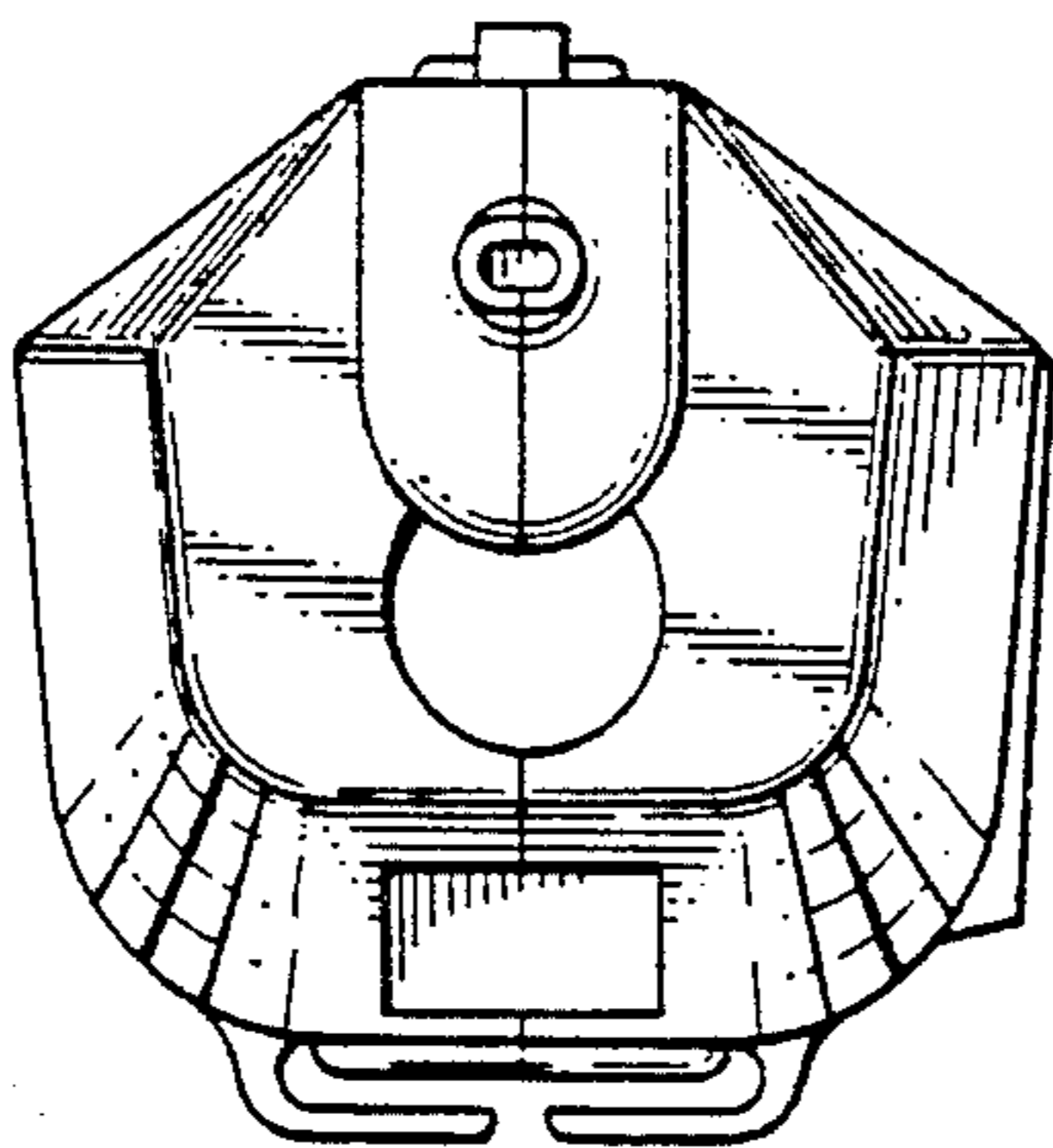


FIG. 8