

[54] WINDOW BIRD FEEDER

[75] Inventor: William C. Gerber, Wooster, Ohio

[73] Assignee: Rubbermaid Incorporated, Wooster, Ohio

[\*\*] Term: 14 Years

[21] Appl. No.: 655,600

[22] Filed: Sep. 28, 1984

[52] U.S. Cl. .... D30/18

[58] Field of Search ..... D30/1-5, D30/13-18; 119/51 R, 52 R, 51.12, 58, 63

[56] References Cited

U.S. PATENT DOCUMENTS

- D. 280,559 9/1985 Bentam ..... D30/14
- 3,960,112 6/1976 Tiller ..... D30/14 X

OTHER PUBLICATIONS

Sell sheet entitled "K-Window Wild Birdfeeder", published by K Feeder Enterprises Inc., Post Office Box 7824, Warwick, RI 02887 in 1984, no other date available.

Catalog sheet entitled "Window Silo" taken from a 1983 Christmas product catalog, p. 13, published by Audobon Workshop, 1500 Paddock Drive, North-

brook, IL 60062, no other date of publication is available.

Catalog page entitled "Window Feeders", taken from a catalog published by Audobon Workshop, 1501 Paddock Drive, Northbrook, IL 60062, no publication date on the catalog is available.

Pages 8, 9, and 16, taken from the 1984 product catalog entitled "Duncraft—for the Birds", published by Duncraft, Penacook, NH 03303, no other publication date is available.

Primary Examiner—Wallace R. Burke

Assistant Examiner—Brian N. Vinson

Attorney, Agent, or Firm—Richard B. O'Planick

[57] CLAIM

The ornamental design for a window bird feeder, as shown and described.

DESCRIPTION

FIG. 1 is a front perspective view of a window bird feeder showing my new design;

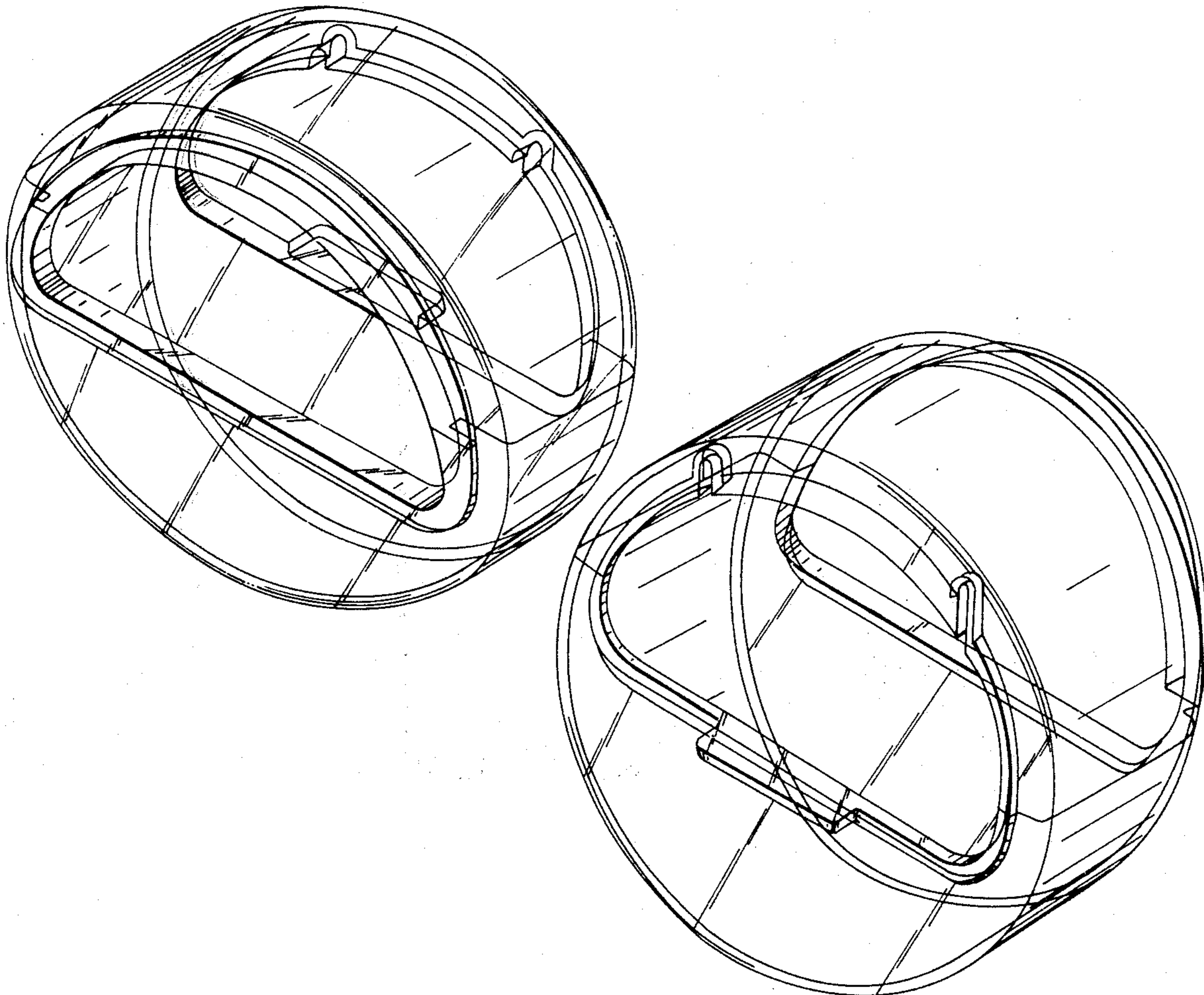
FIG. 2 is a right side elevational view thereof, the left side being a mirror image;

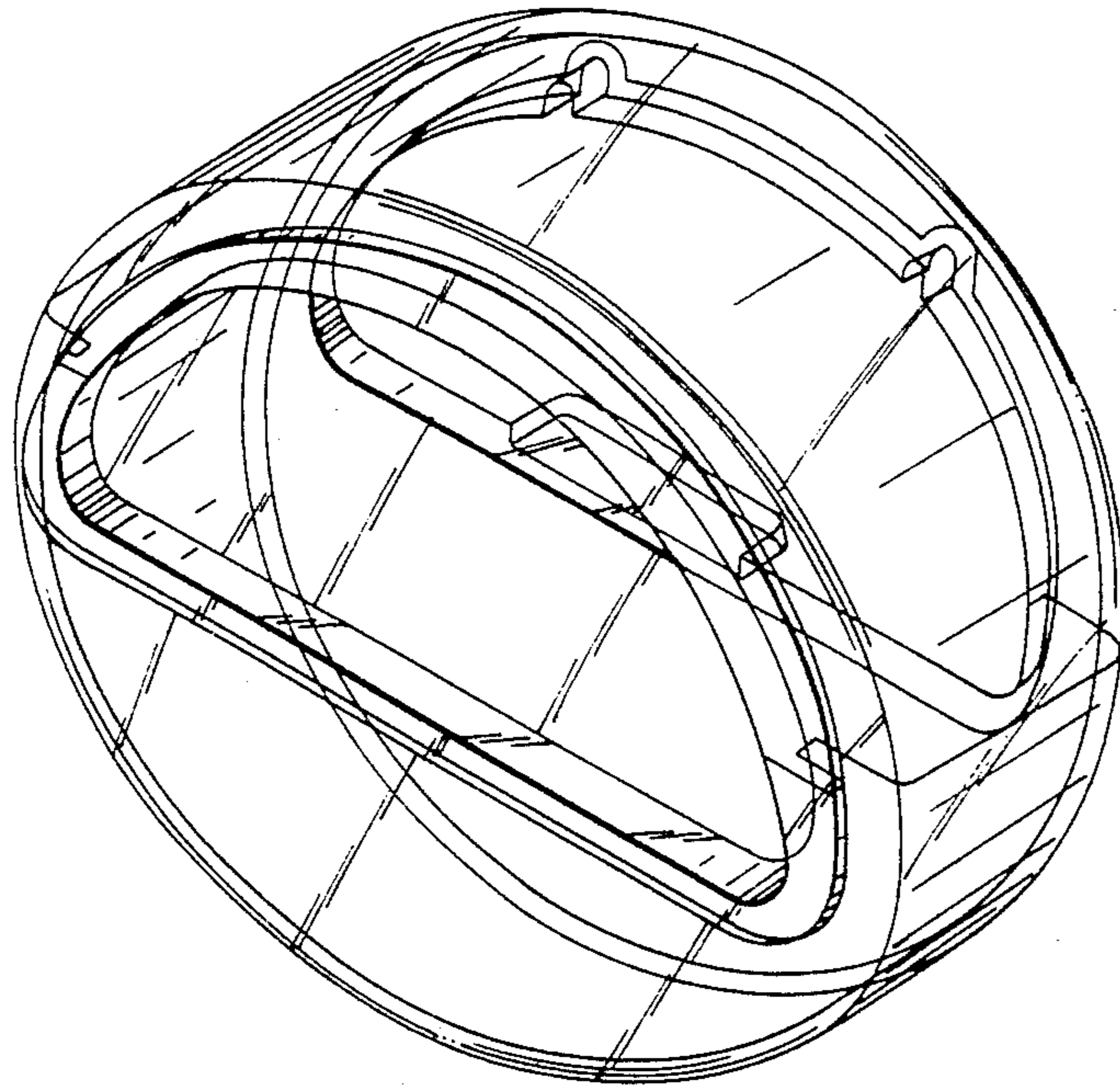
FIG. 3 is a front elevational view thereof;

FIG. 4 is a rear elevational view thereof;

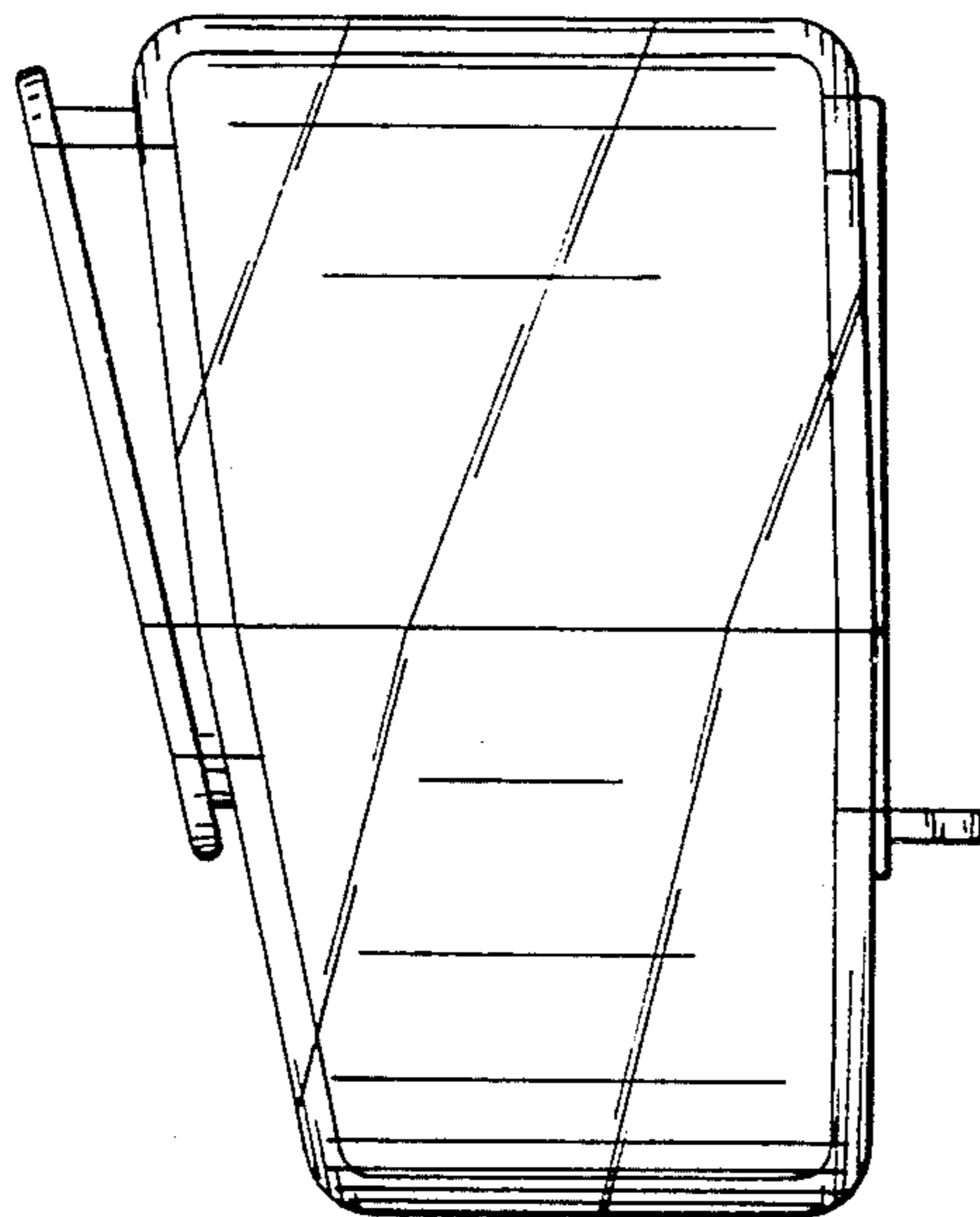
FIG. 5 is a top plan view thereof, the bottom being substantially similar in appearance; and

FIG. 6 is a rear perspective view thereof.

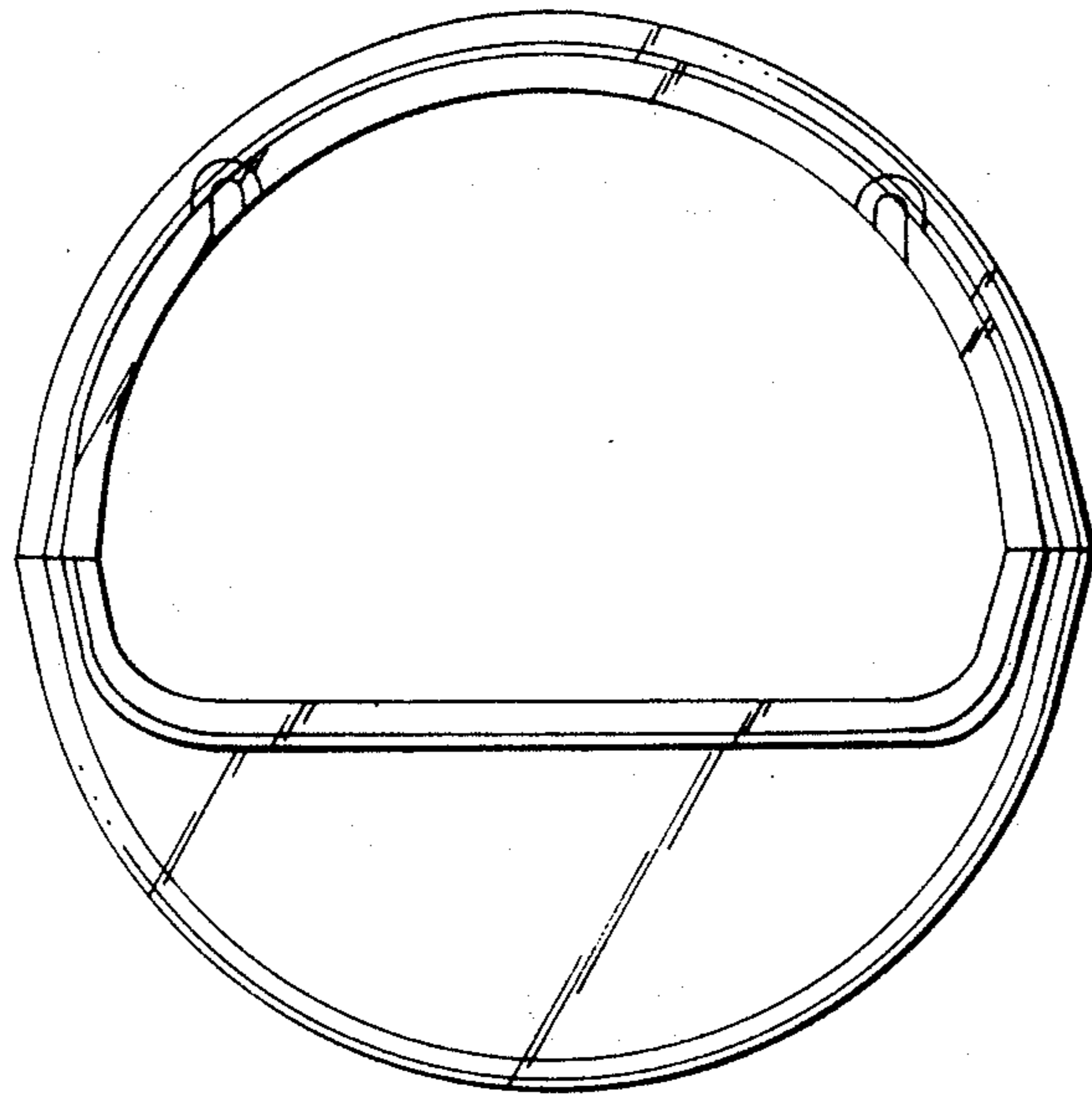




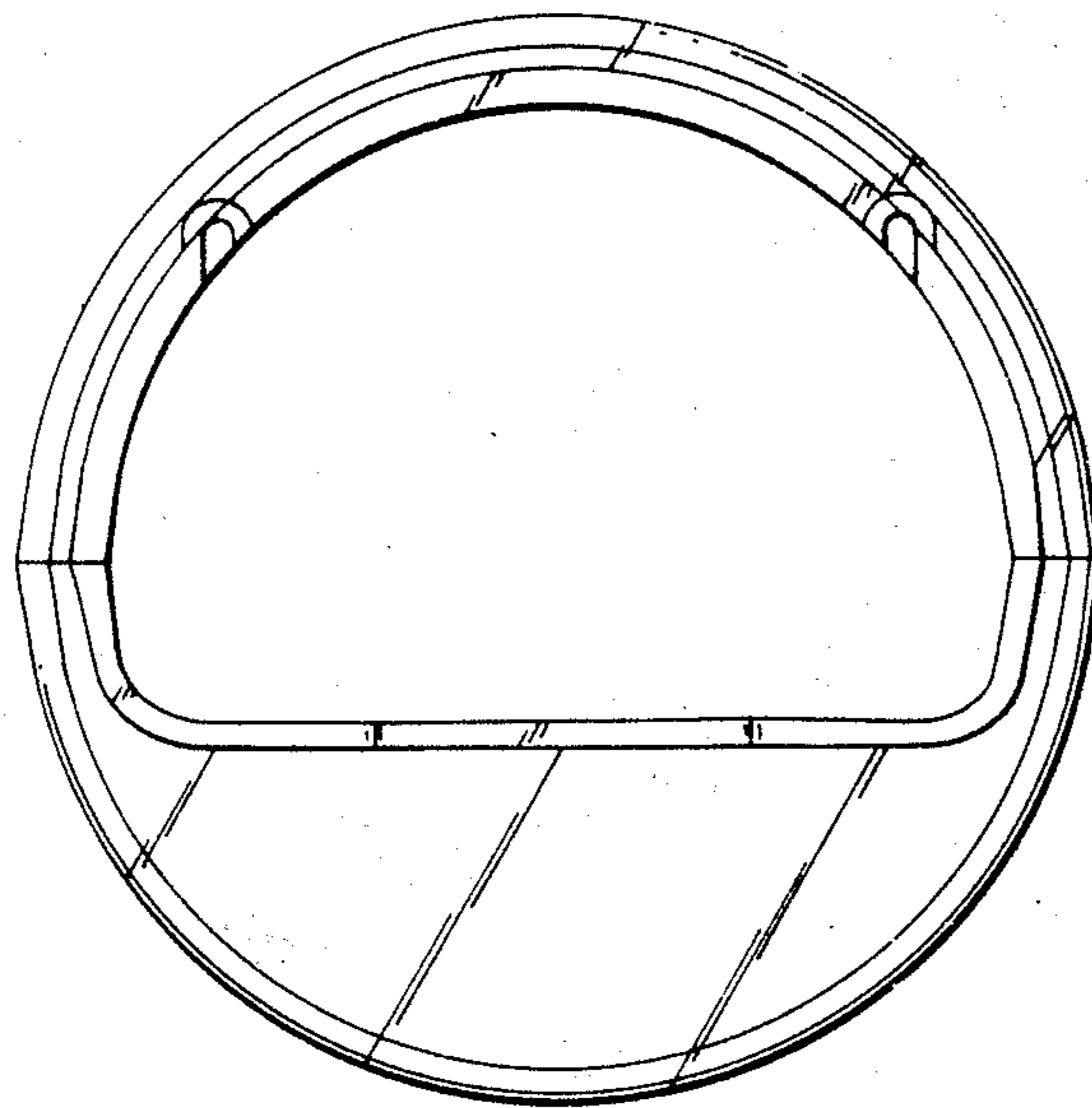
*Fig. 1*



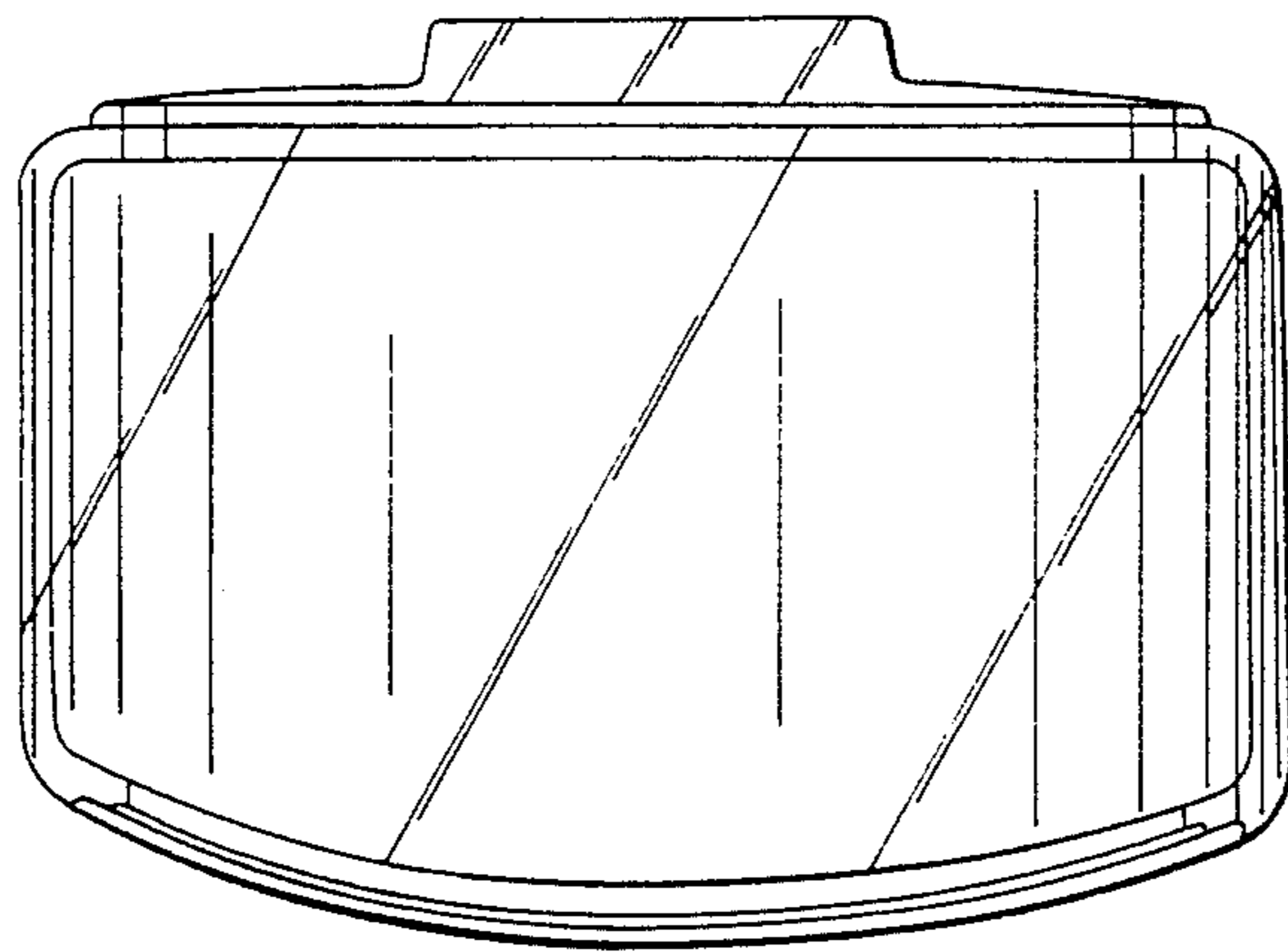
*Fig. 2*



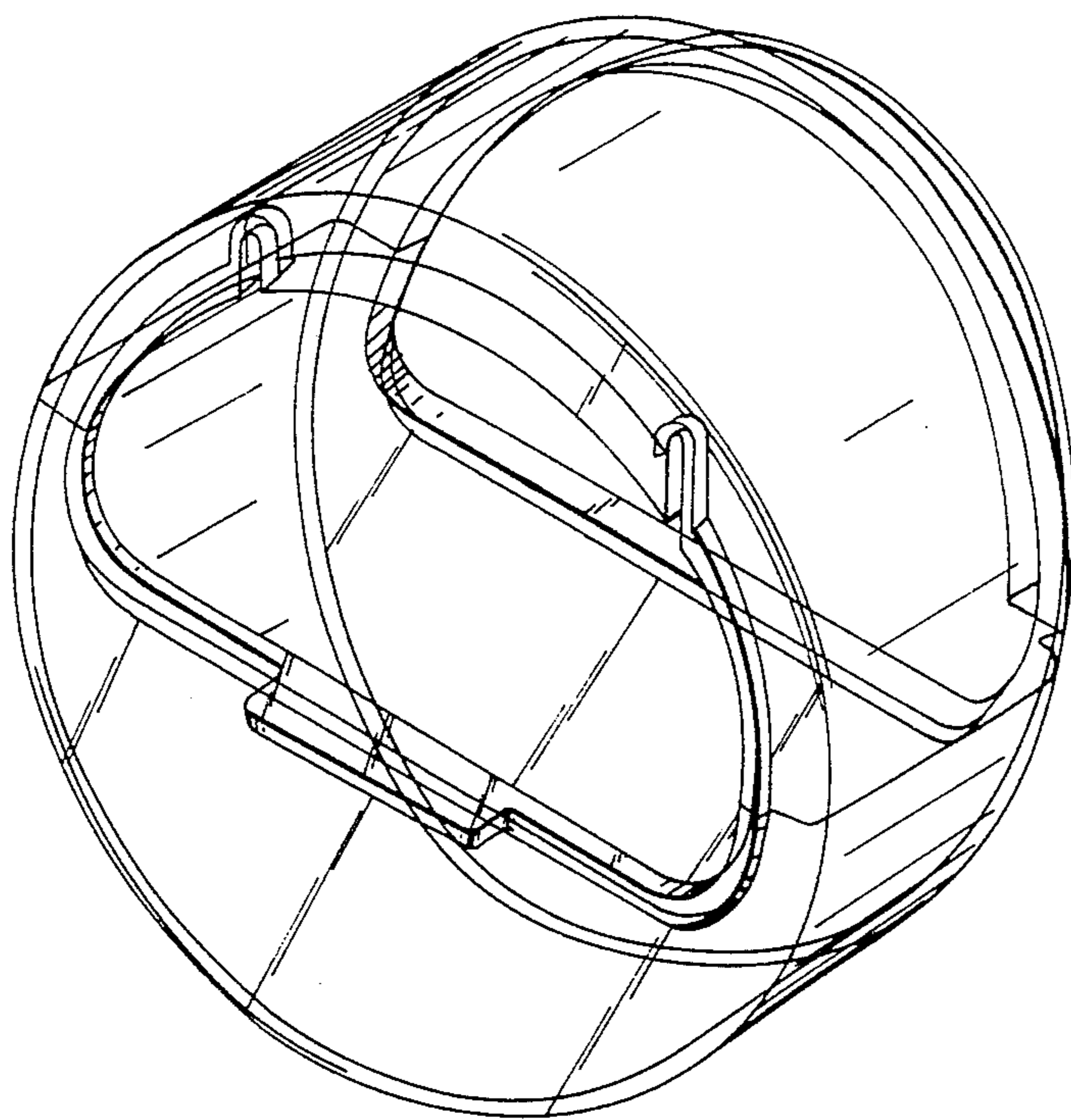
*Fig. 3*



*Fig. 4*



*Fig. 5*



*Fig. 6*