

[54] CAGE MOUNTED POULTRY WATERING UNIT

[75] Inventor: Eldon Hostetler, Middlebury, Ind.

[73] Assignee: Ziggity Systems, Inc., Middlebury, Ind.

[**] Term: 14 Years

[21] Appl. No.: 688,363

[22] Filed: Jan. 2, 1985

[52] U.S. Cl. D30/14

[58] Field of Search D30/13-18; 119/72.5, 75

- 2,848,013 8/1985 Kofford .
- 3,838,664 10/1974 Atchley .
- 3,964, 440 6/1976 Hart .
- 4,284,036 8/1981 Hostetler .
- 4,389,977 6/1983 Borak .
- 4,444,149 4/1984 Shomer .

Primary Examiner—James R. Largen
Attorney, Agent, or Firm—Barnes & Thornburg

[57] CLAIM

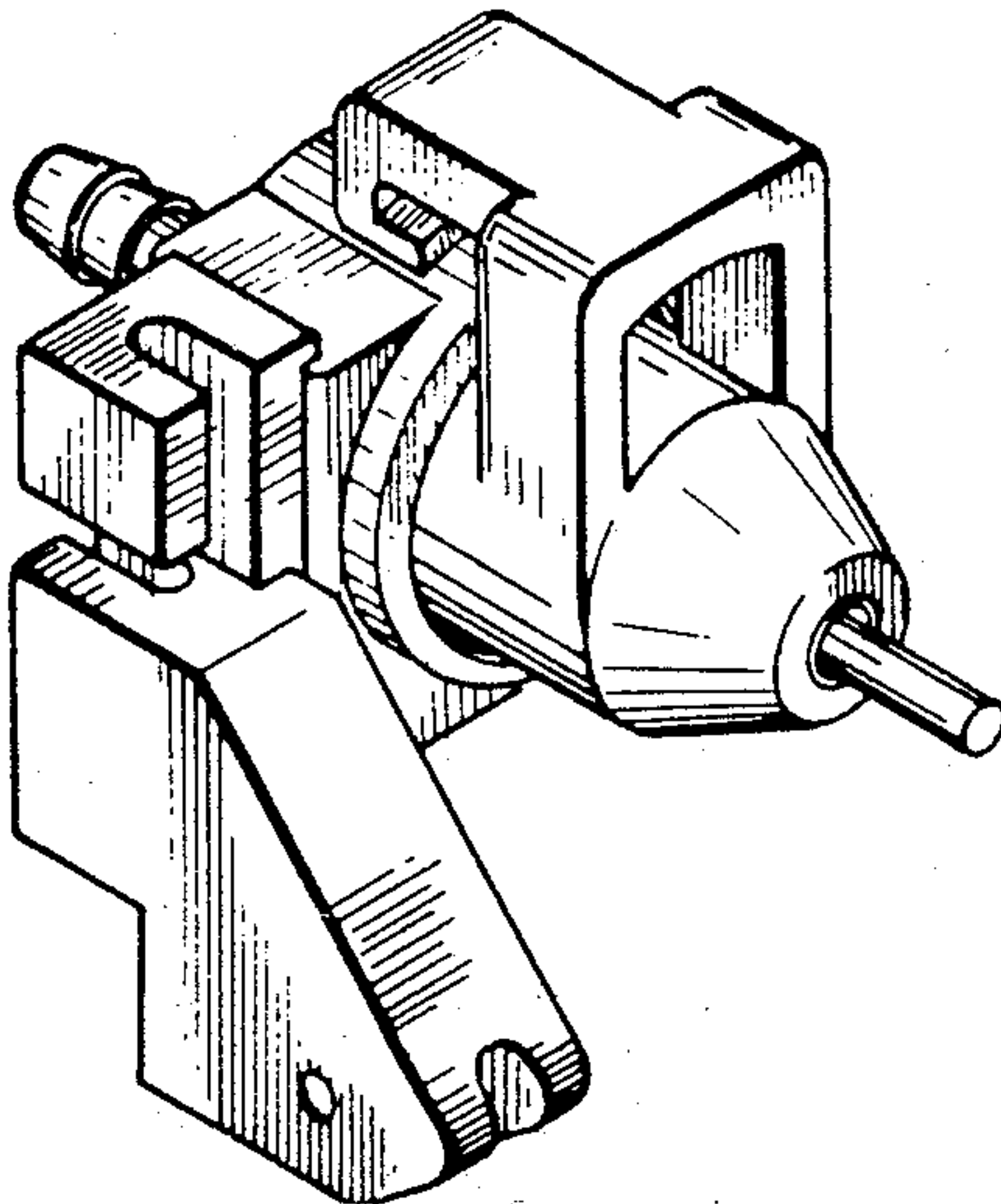
The ornamental design for a cage mounted poultry watering unit, as shown and described.

DESCRIPTION

FIG. 1 is a perspective view taken from the bottom, front and left side of a cage mounted poultry watering unit showing my new design;
 FIG. 2 is a left side elevational view thereof;
 FIG. 3 is a bottom plan view thereof;
 FIG. 4 is a right side elevational view thereof;
 FIG. 5 is a top plan view thereof;
 FIG. 6 is a front elevational view thereof; and
 FIG. 7 is a rear elevational view thereof.

[56] References Cited
U.S. PATENT DOCUMENTS

- D. 150,917 9/1948 Berg .
- D. 177,053 4/1956 Kofford D30/16
- D. 222,271 10/1971 Rader D30/13
- D. 234,145 1/1975 Pepler et al. D30/16
- D. 250,422 11/1978 Mallinson D30/13
- 1,446,740 2/1923 Eummelen .



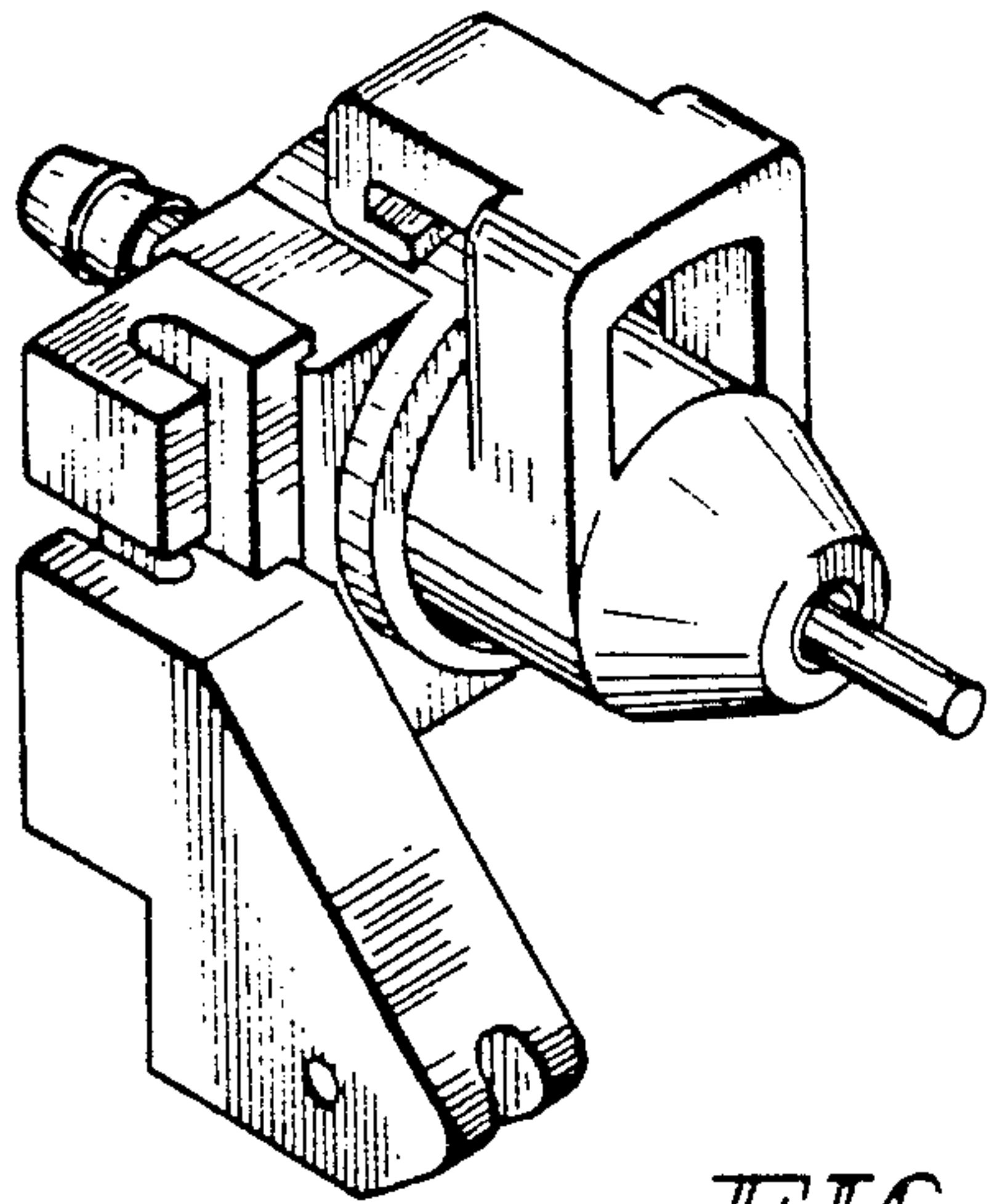


FIG. 1

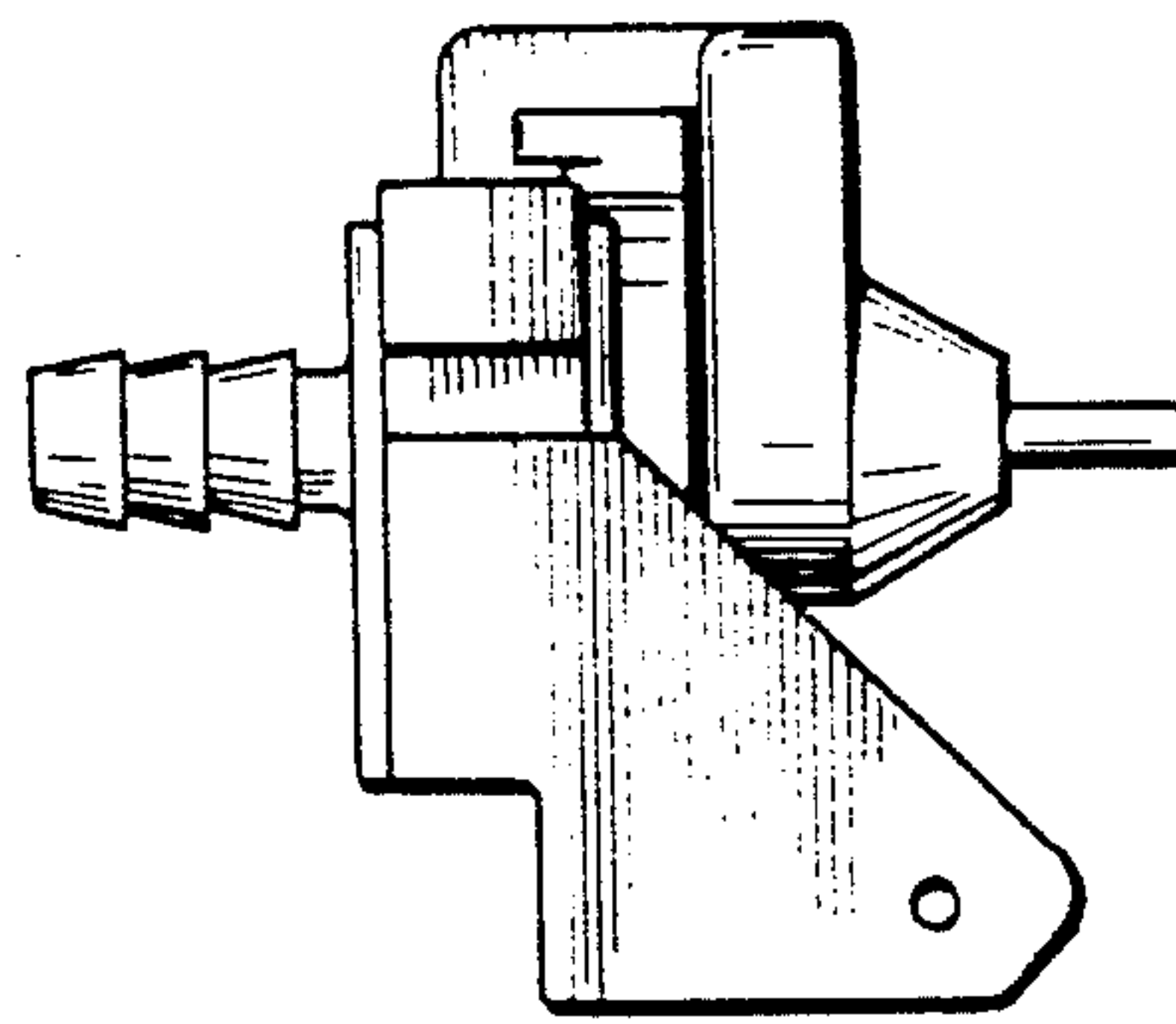


FIG. 2

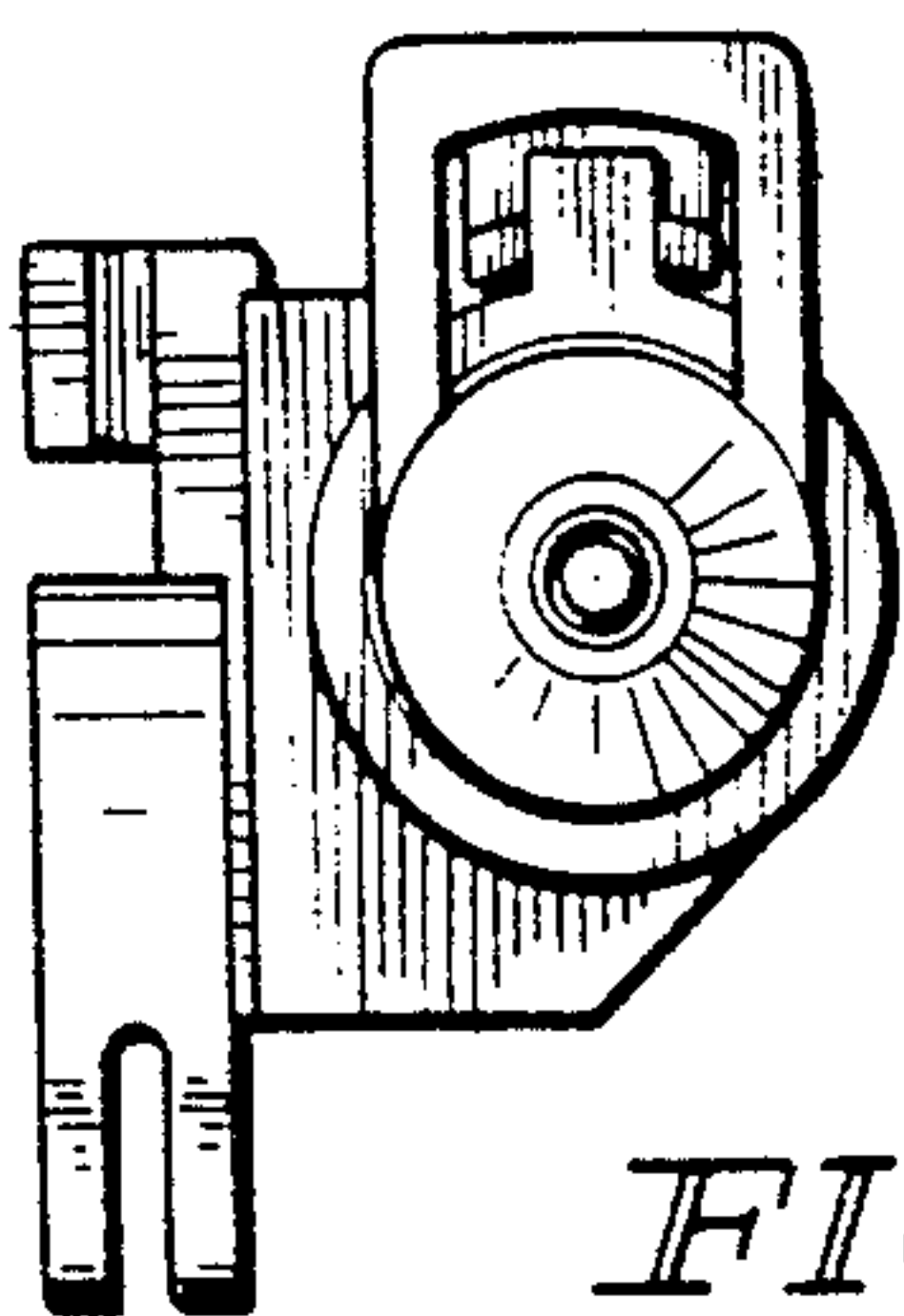


FIG. 3

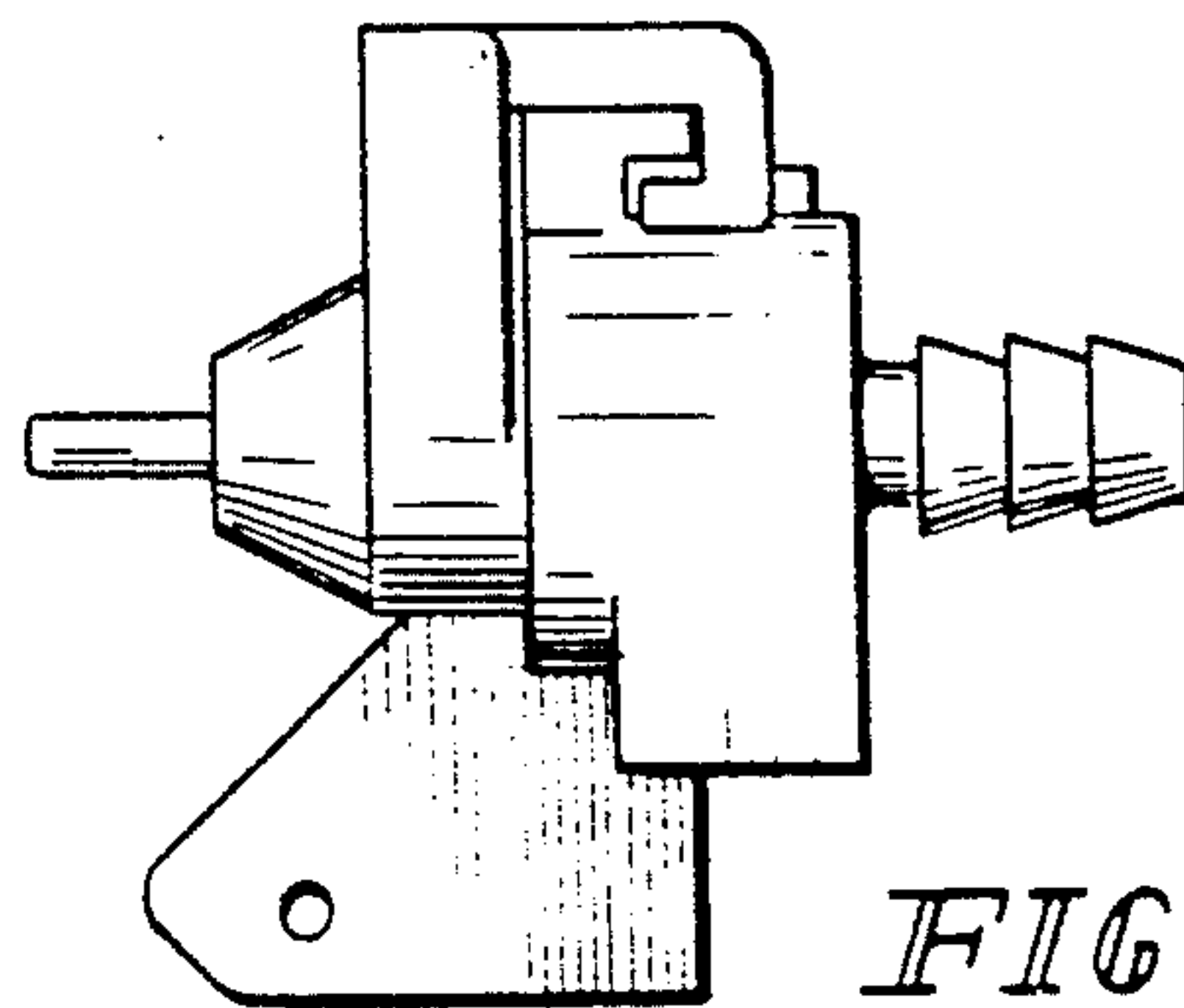


FIG. 4

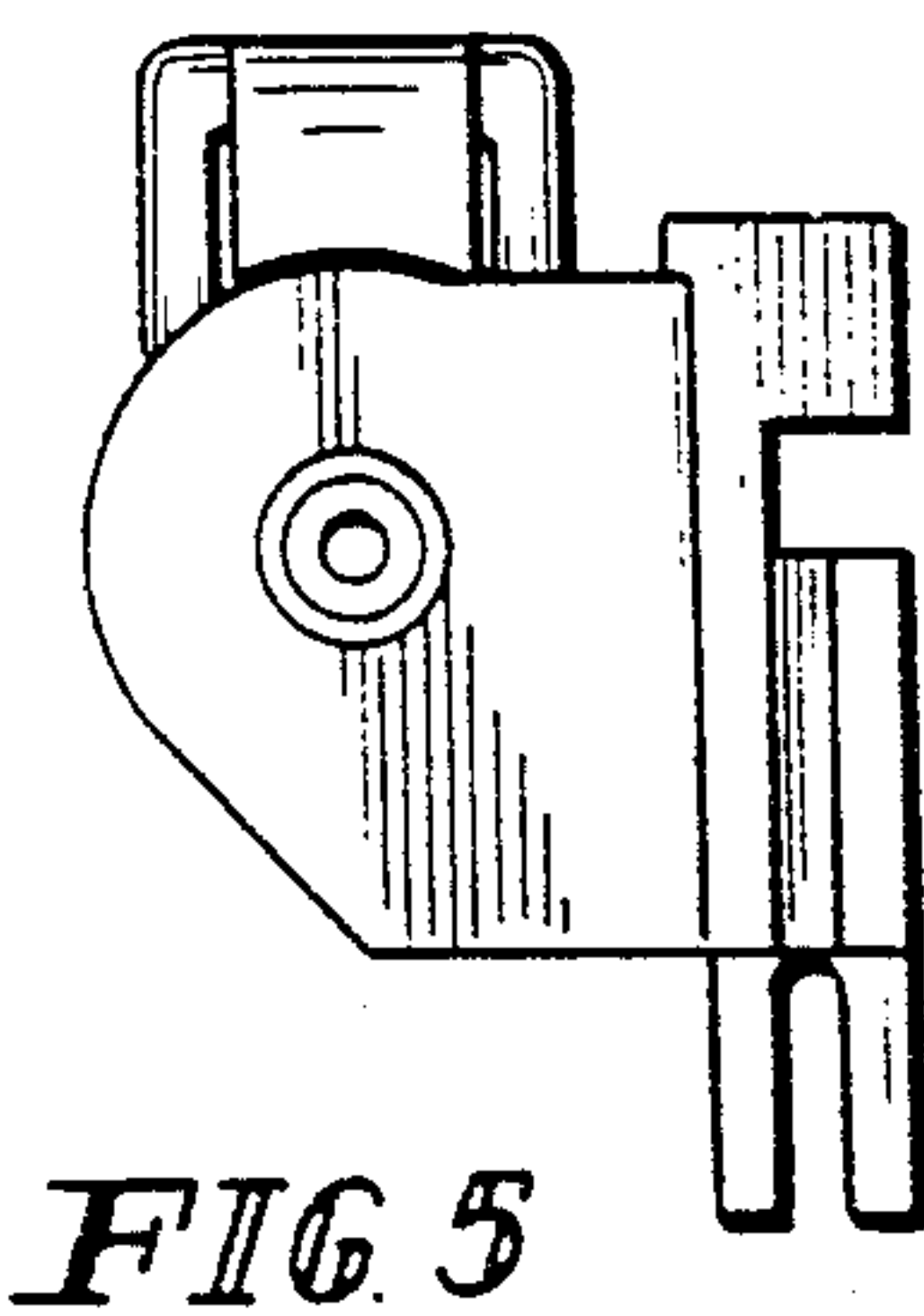


FIG. 5

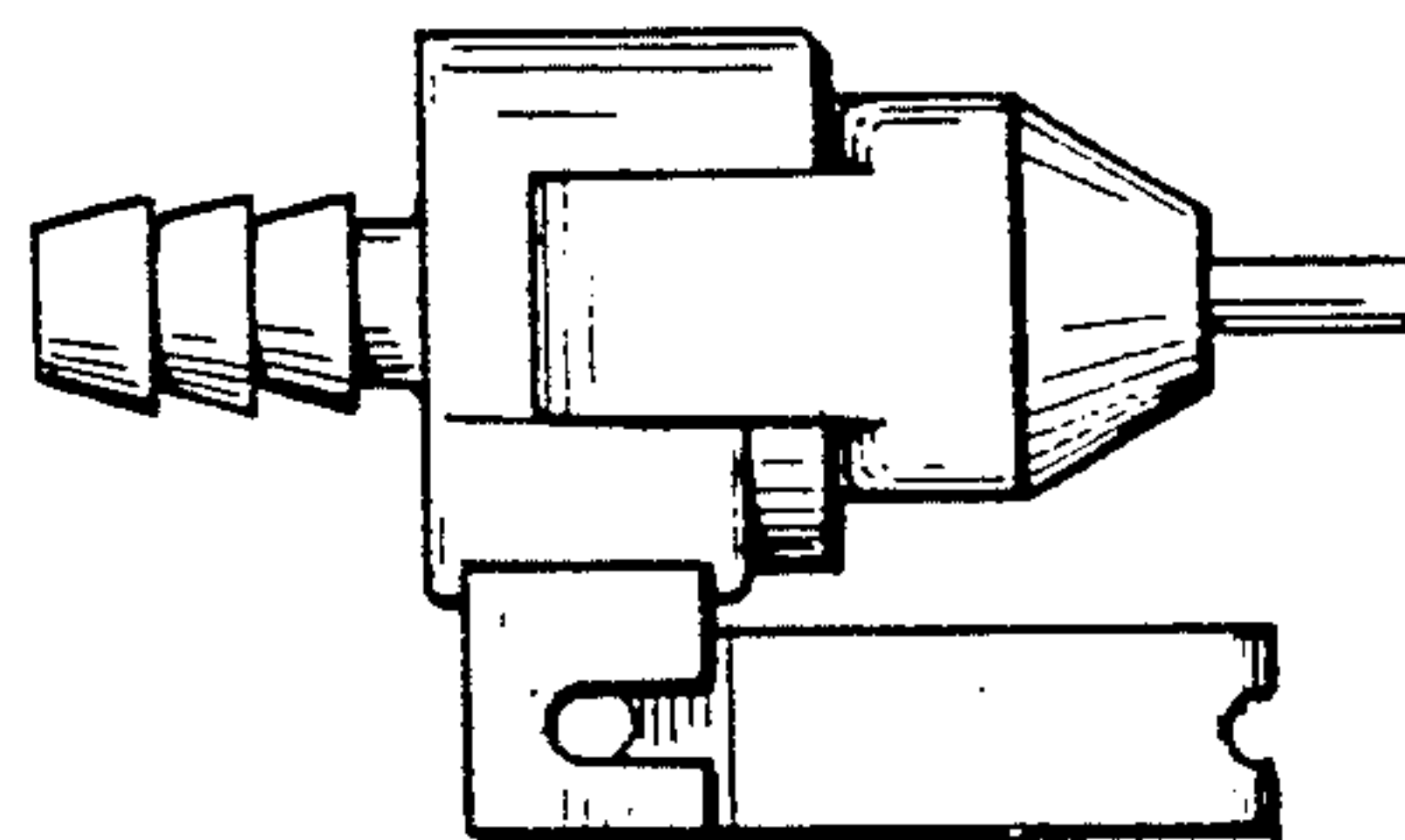


FIG. 6

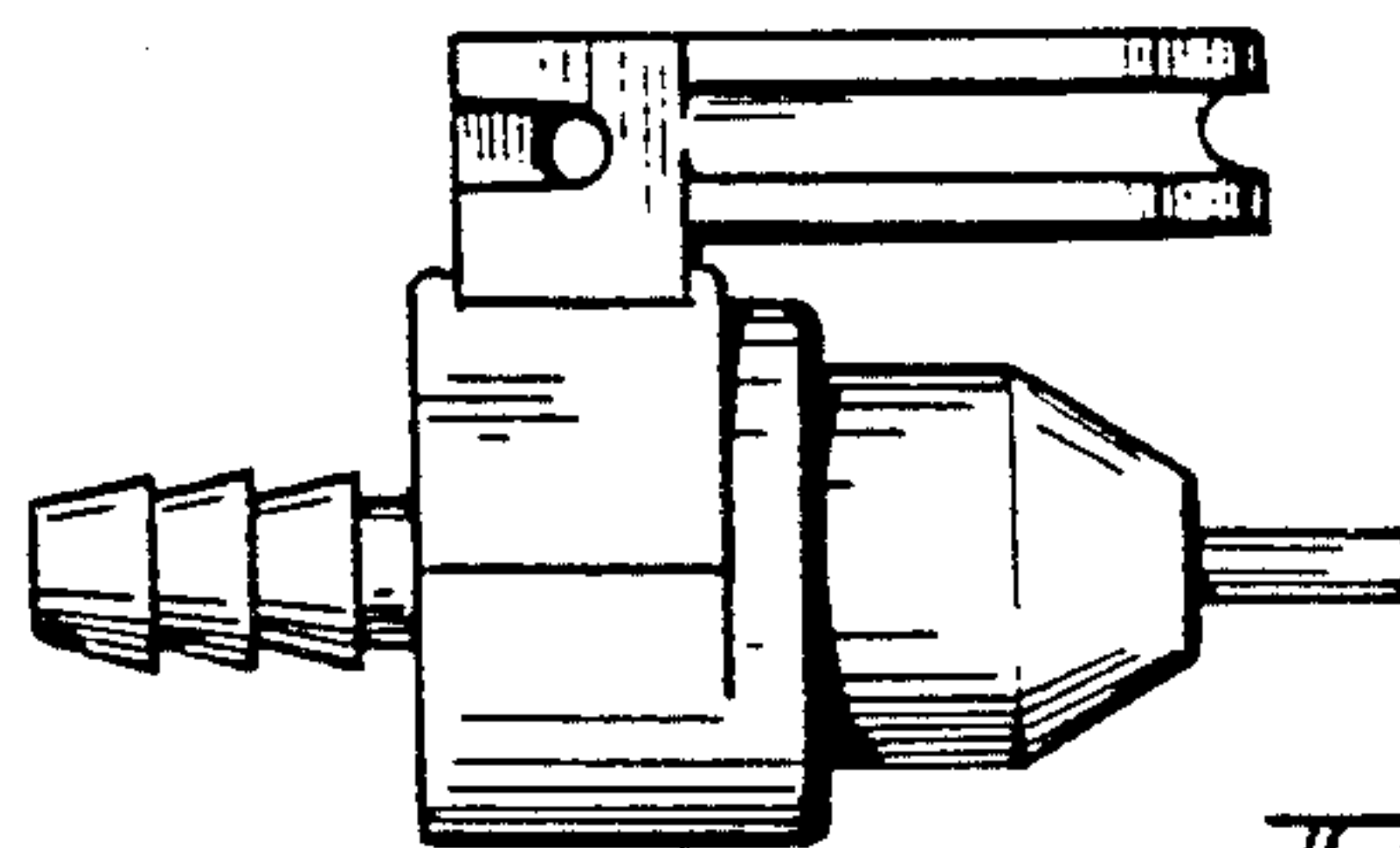


FIG. 7