

[54] LUMINAIRE

[75] Inventors: William T. Gendron, San Ramon; William J. Rapp, Hayward; Frederic L. Green, San Leandro; Katsuhiko Unoki, El Cerrito; Robert J. Gaskins, Pleasanton, all of Calif.

[73] Assignee: Gardco Manufacturing, Inc., San Leandro, Calif.

[**] Term: 14 Years

[21] Appl. No.: 662,457

[22] Filed: Oct. 15, 1984

[52] U.S. Cl. D26/67

[58] Field of Search 362/362, 310, 311, 297, 362/431; D26/67-71, 88, 85, 107

[56] References Cited

U.S. PATENT DOCUMENTS

- D. 47,997 10/1915 Guth et al. D26/67 X
- D. 199,999 1/1965 Simon D26/67
- D. 213,393 2/1969 Clark et al. D26/67

FOREIGN PATENT DOCUMENTS

635418 1/1962 Canada 362/431

OTHER PUBLICATIONS

General Electric Area Lighting Guide, 1962, p. 25, FIG. 19, 2-Arm Adapter.

McPhilben Woodscape Lighting Catalog, p. 11, Luminaire #16B-31.

Primary Examiner—Susan J. Lucas

Attorney, Agent, or Firm—Townsend and Townsend

[57] CLAIM

The ornamental design for a luminaire, as shown.

DESCRIPTION

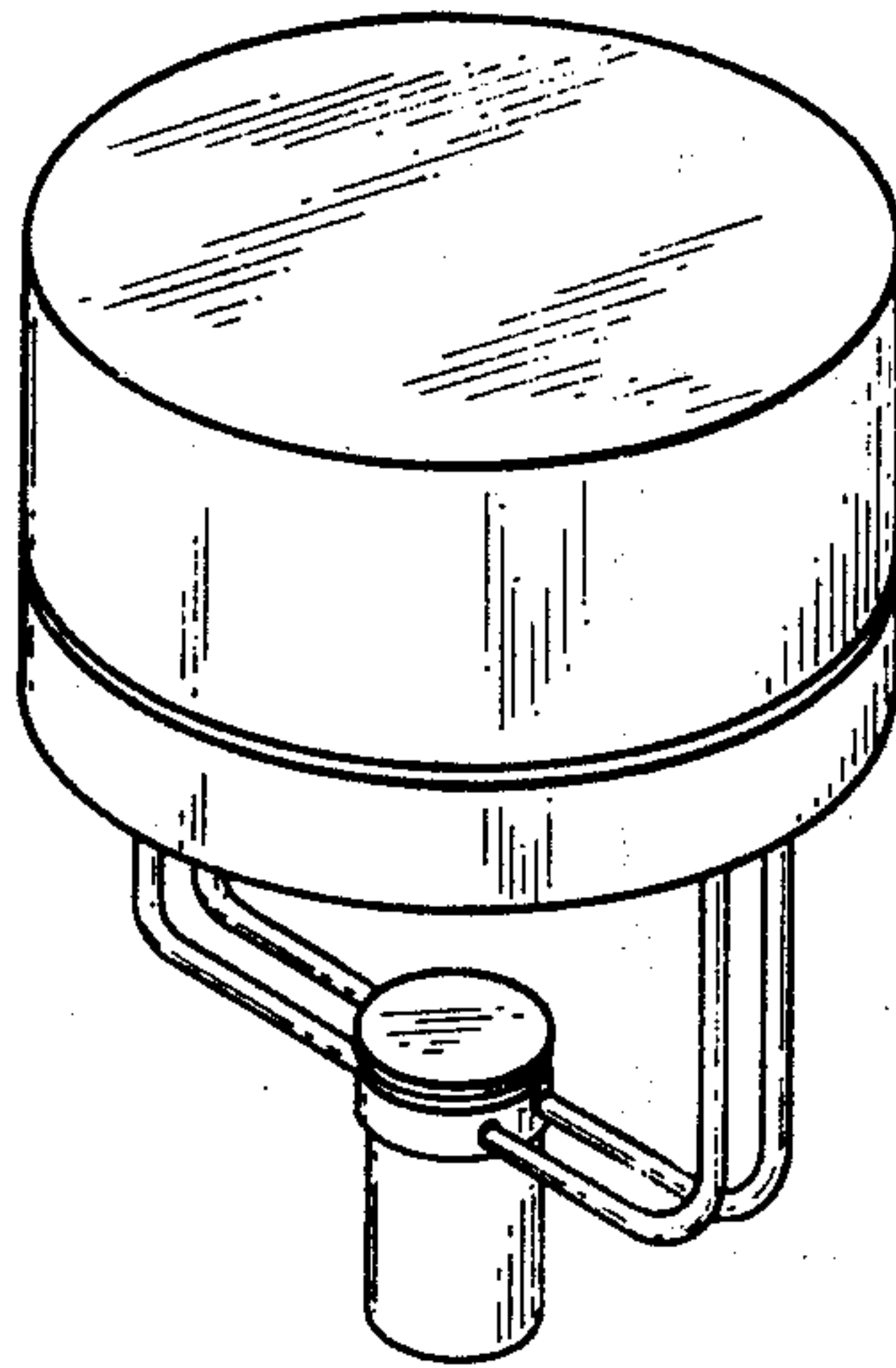
FIG. 1 is a top perspective view of the luminaire showing our new design;

FIG. 2 is a top plan view thereof;

FIG. 3 is an end elevational view thereof, the opposite end being a mirror image;

FIG. 4 is a side elevational view thereof, the opposite side being a mirror image; and

FIG. 5 is a bottom plan view thereof.



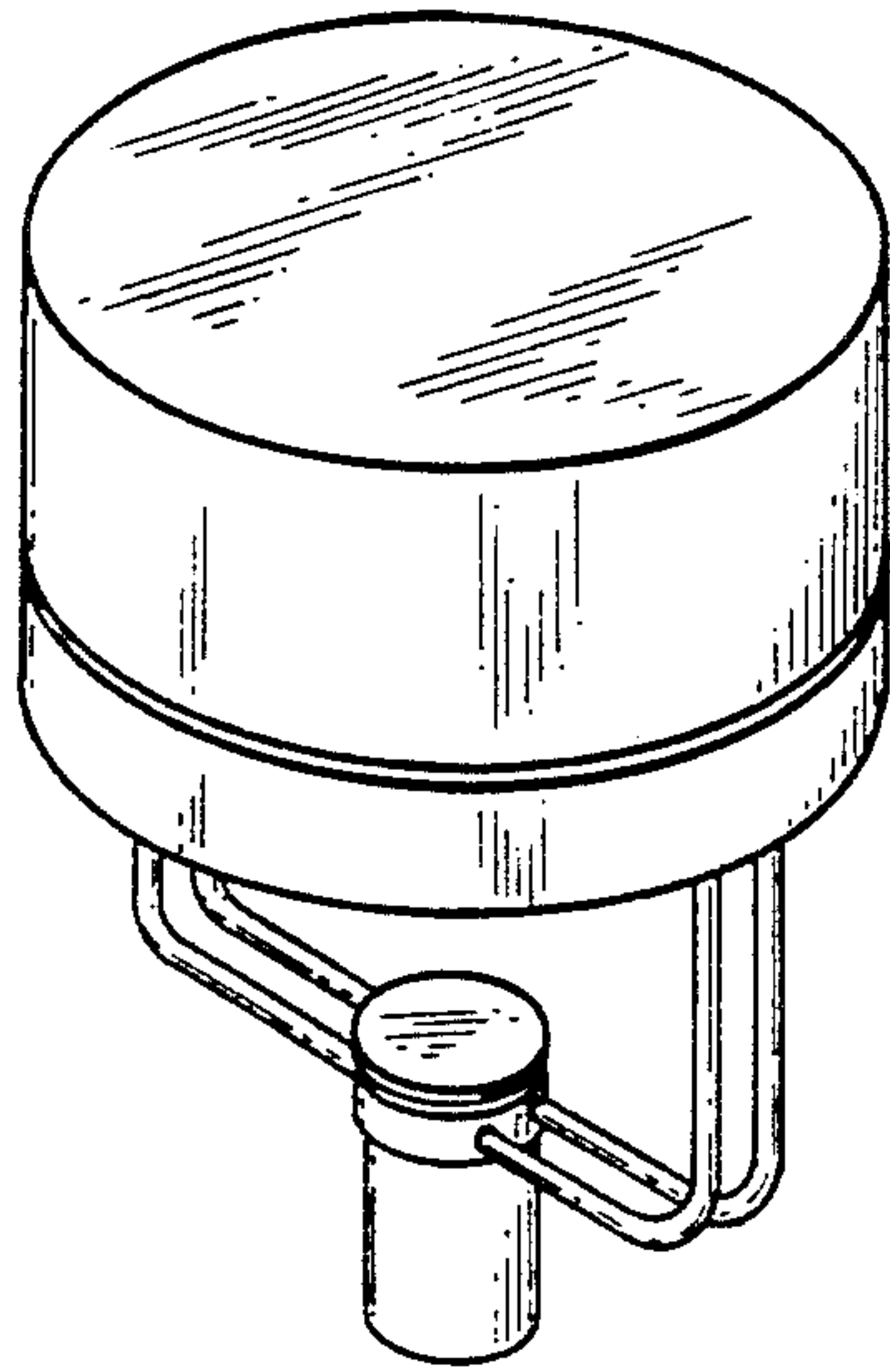


FIG _ 1

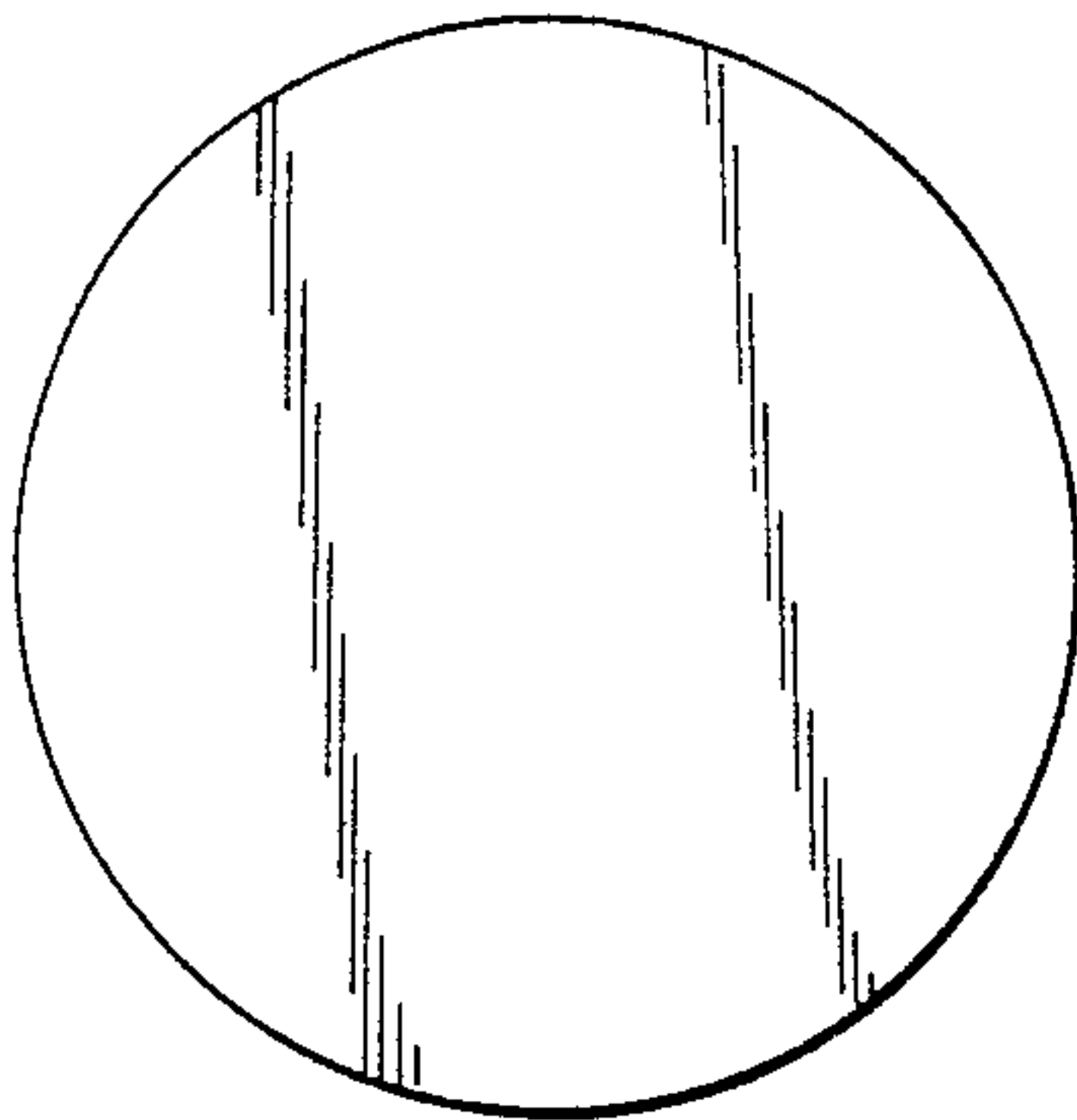


FIG _ 2

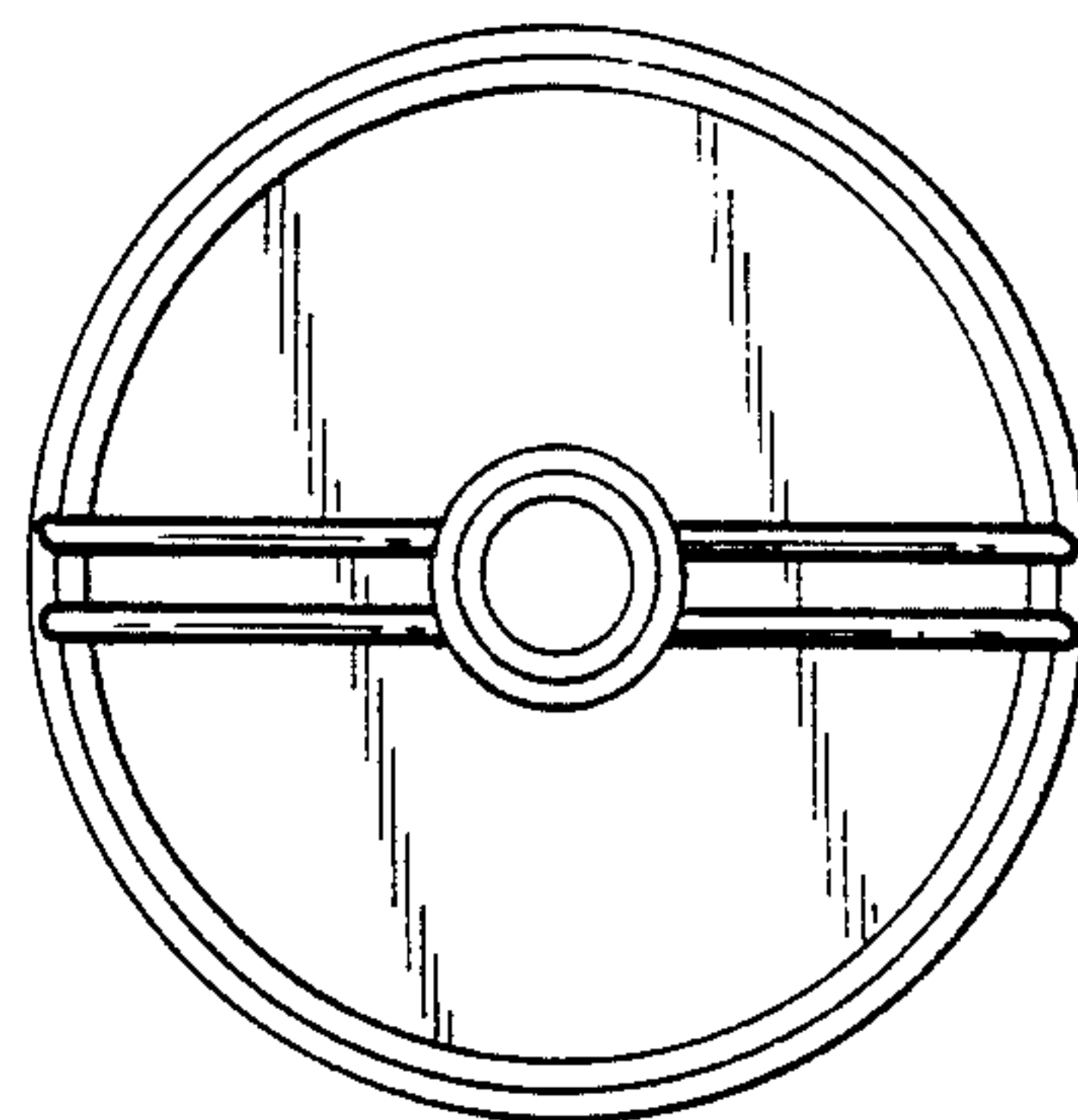


FIG _ 5

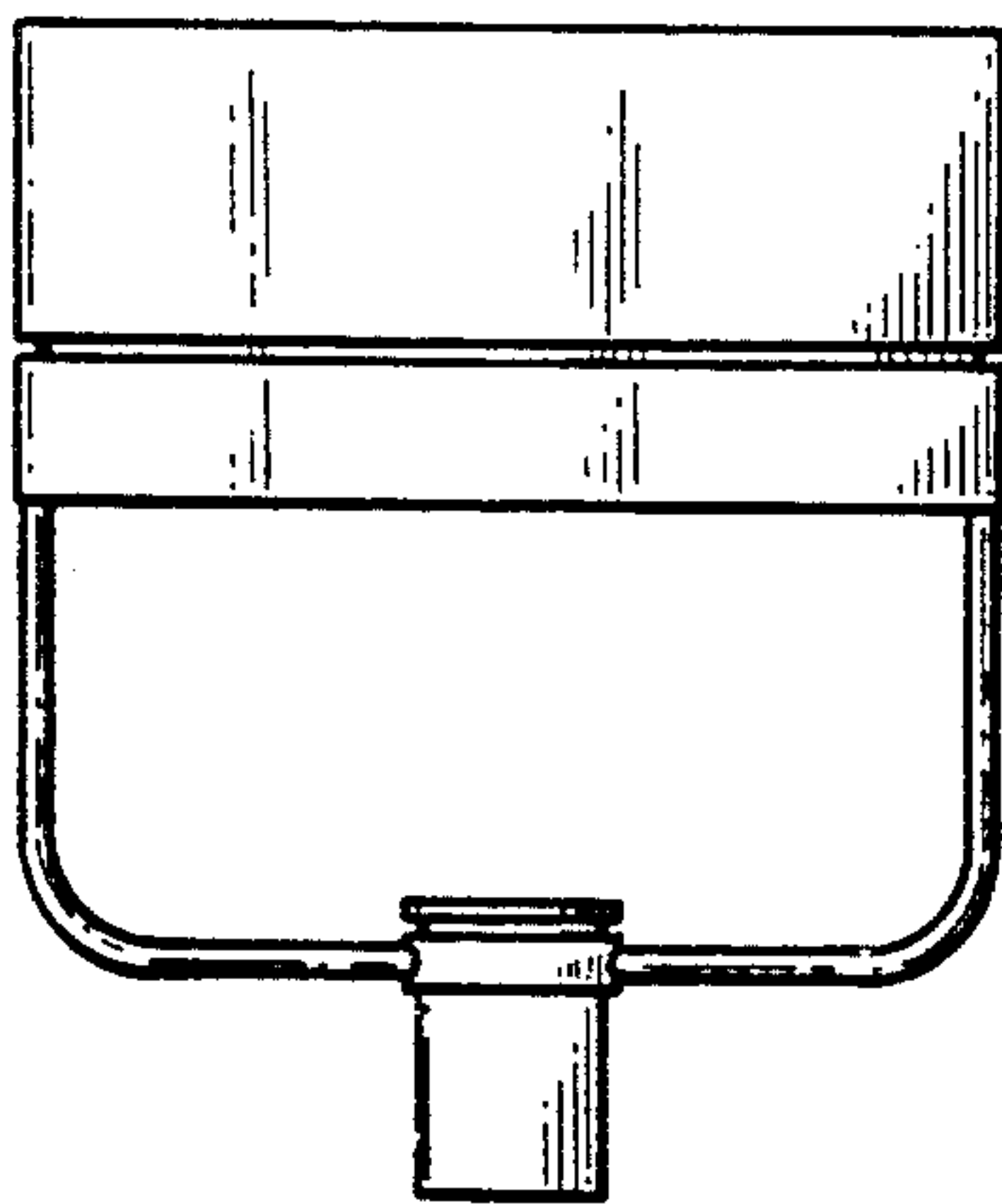


FIG _ 3

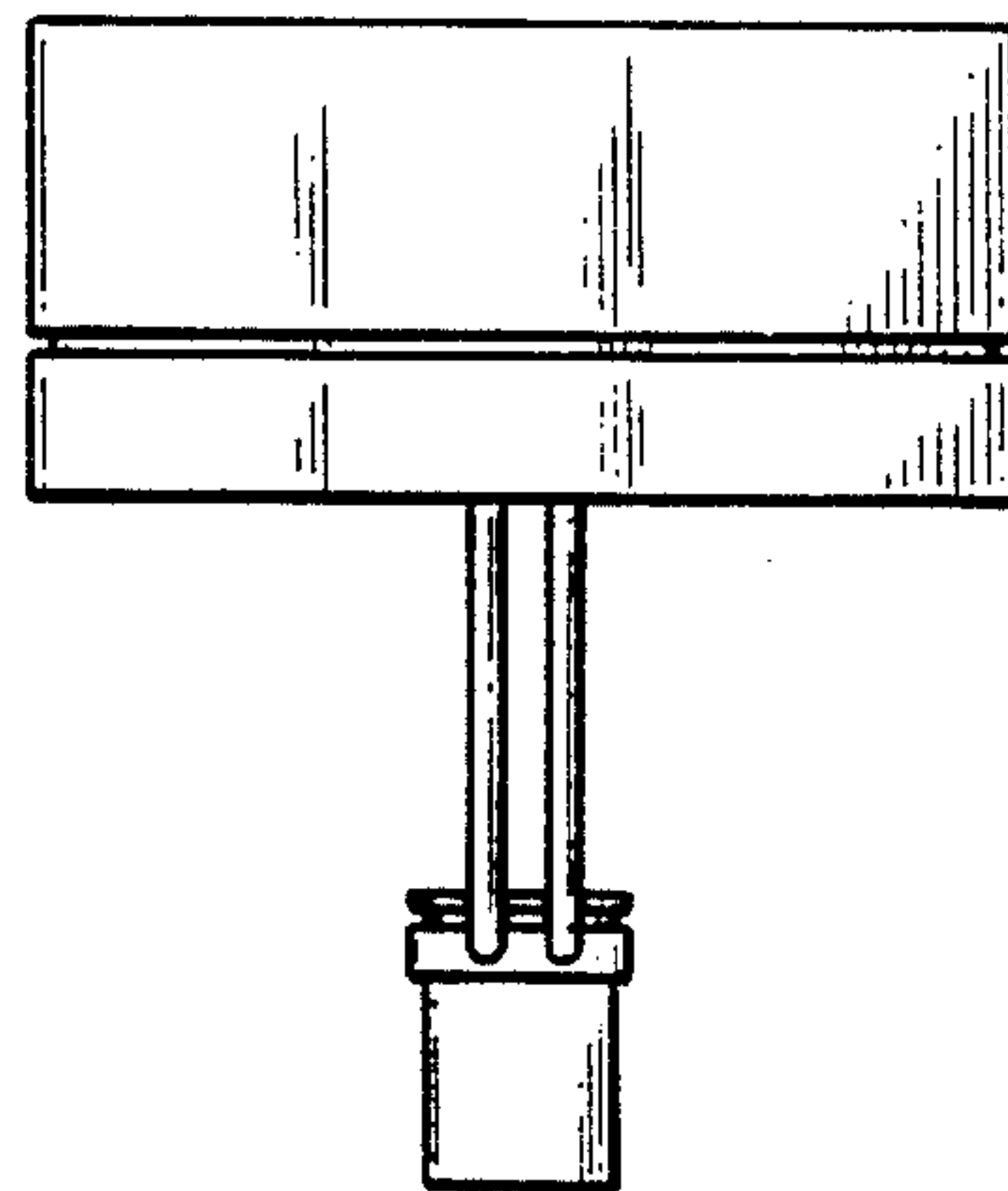


FIG _ 4