

[54] COMBINED MULTI-PURPOSE LANTERN AND ADJUSTABLE STAND THEREFOR

[75] Inventor: John S. Yuen, Kowloon, Hong Kong

[73] Assignee: John Manufacturing Limited, Kowloon, Hong Kong

[\*\*] Term: 14 Years

[21] Appl. No.: 666,639

[22] Filed: Oct. 31, 1984

[30] Foreign Application Priority Data

May 11, 1984 [GB] United Kingdom ..... 1 019 578

[52] U.S. Cl. .... D26/42

[58] Field of Search ..... D26/37-49; 362/157, 183-208

[56] References Cited

U.S. PATENT DOCUMENTS

- D. 266,957 11/1982 Lee ..... D26/48
- D. 267,514 1/1983 Leung ..... D26/37

OTHER PUBLICATIONS

Hong Kong Enterprise, vol. 8, 1981, p. 188, Multi-Lantern #312.

Hong Kong Enterprise, vol. 7, 1982, p. 190, top left, Fluorescent Lantern.

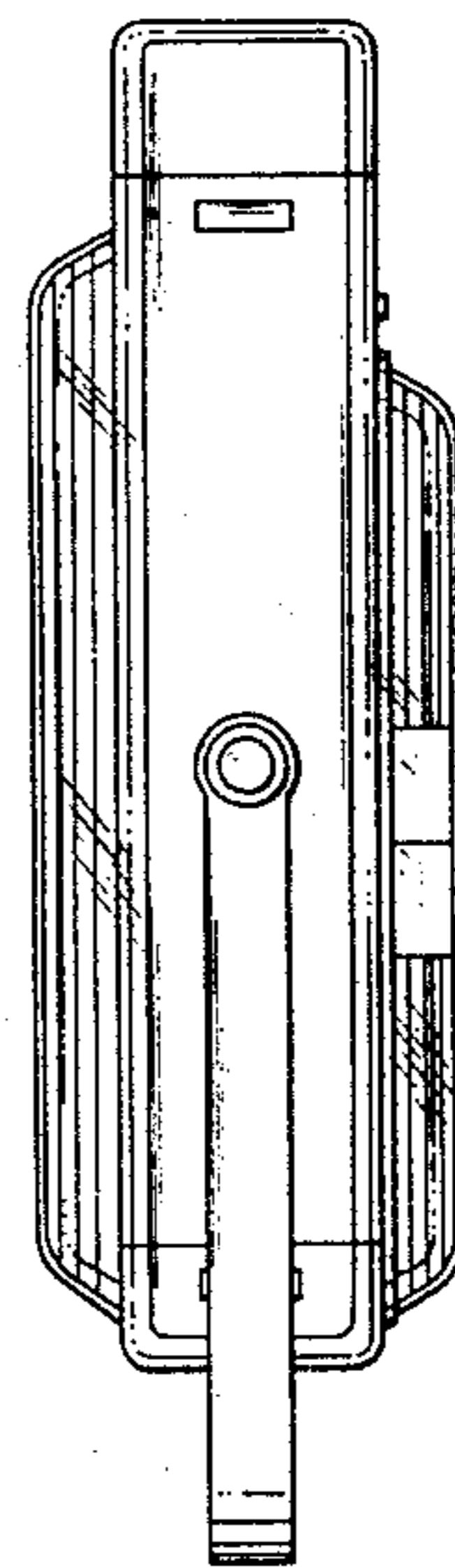
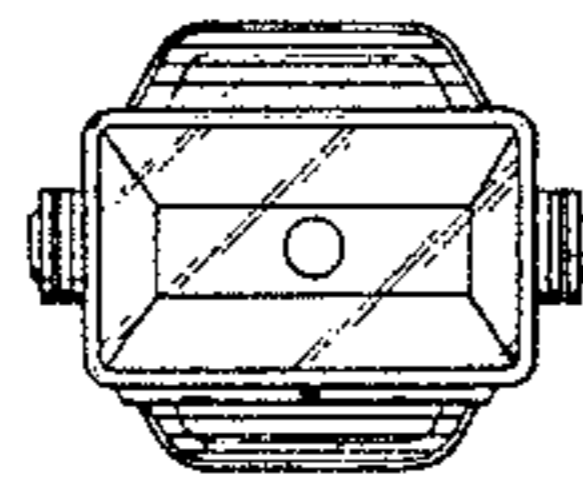
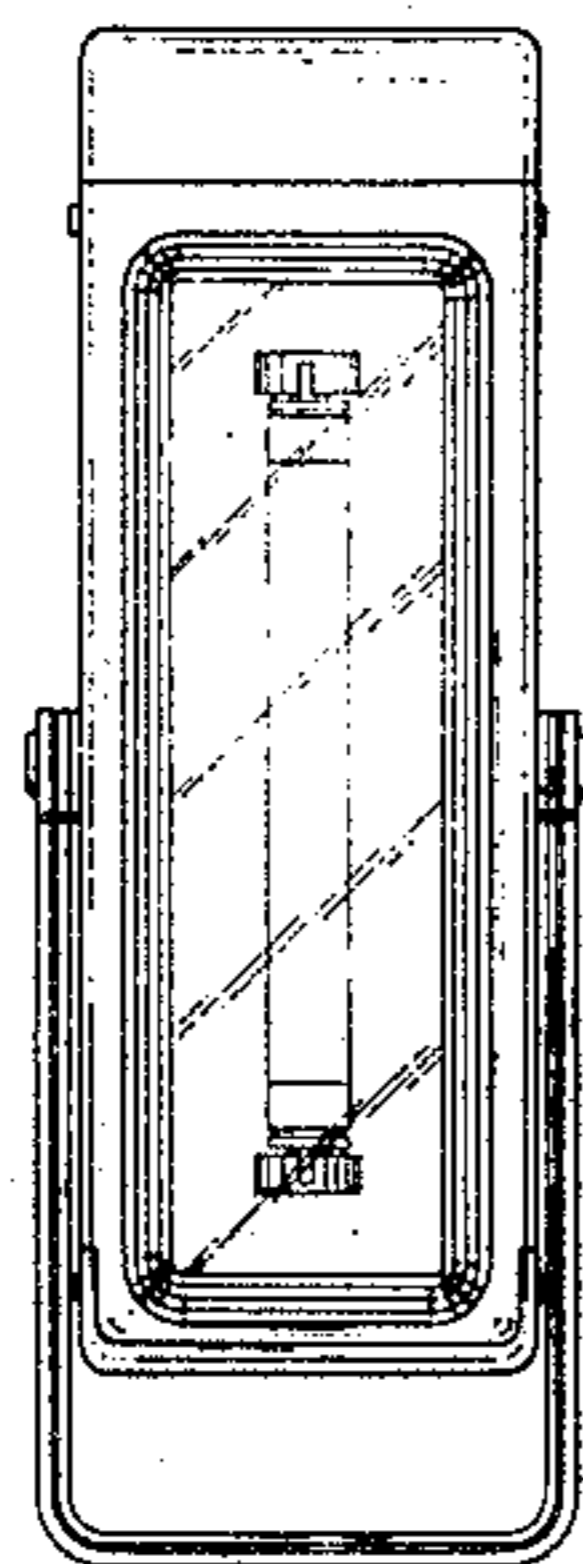
Primary Examiner—Susan J. Lucas  
Attorney, Agent, or Firm—Fay, Sharpe, Beall, Fagan, Minnich & McKee

[57] CLAIM

The ornamental design for a combined multi-purpose lantern and adjustable stand therefor, substantially as shown and described.

DESCRIPTION

FIG. 1 is a front elevational view of the combined multi-purpose lantern and adjustable stand therefor showing my new design;  
 FIG. 2 is a left side elevational view thereof, the right side being a mirror image;  
 FIG. 3 is a rear elevational view thereof;  
 FIG. 4 is a top plan view thereof;  
 FIG. 5 is a bottom plan view thereof;  
 FIG. 6 is a left side elevational view thereof with the adjustable stand in an alternate position.



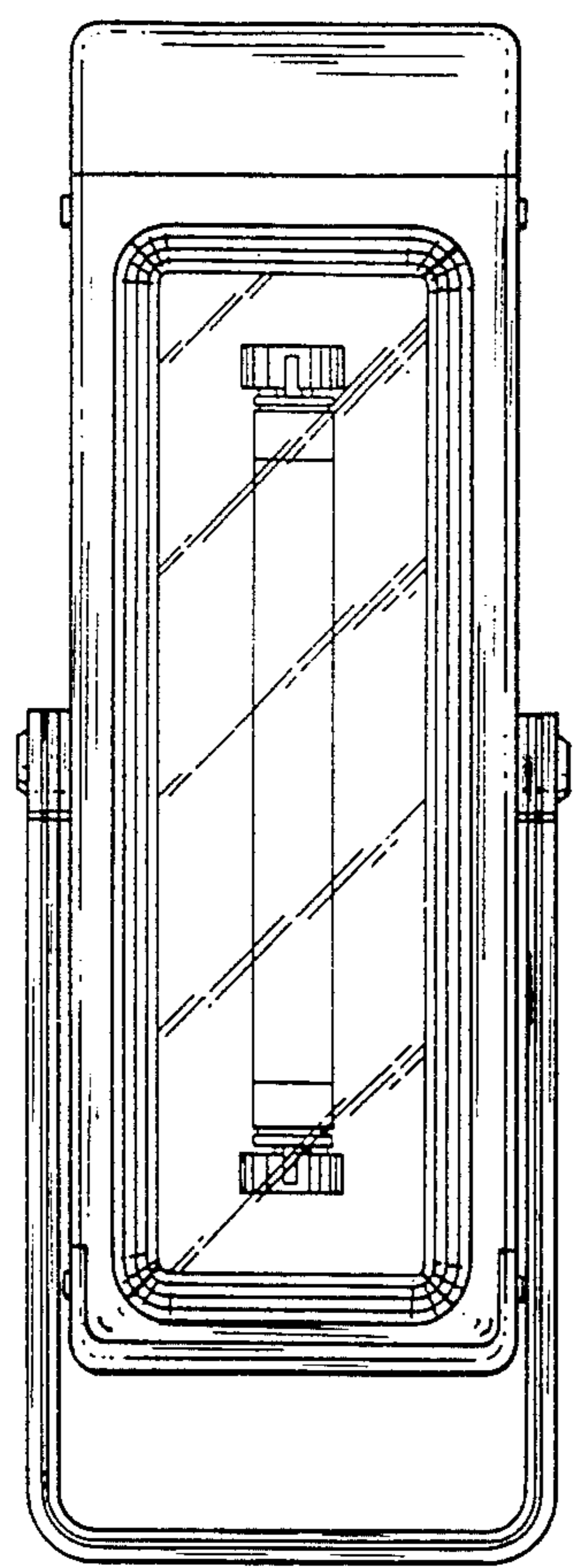


FIG. 1

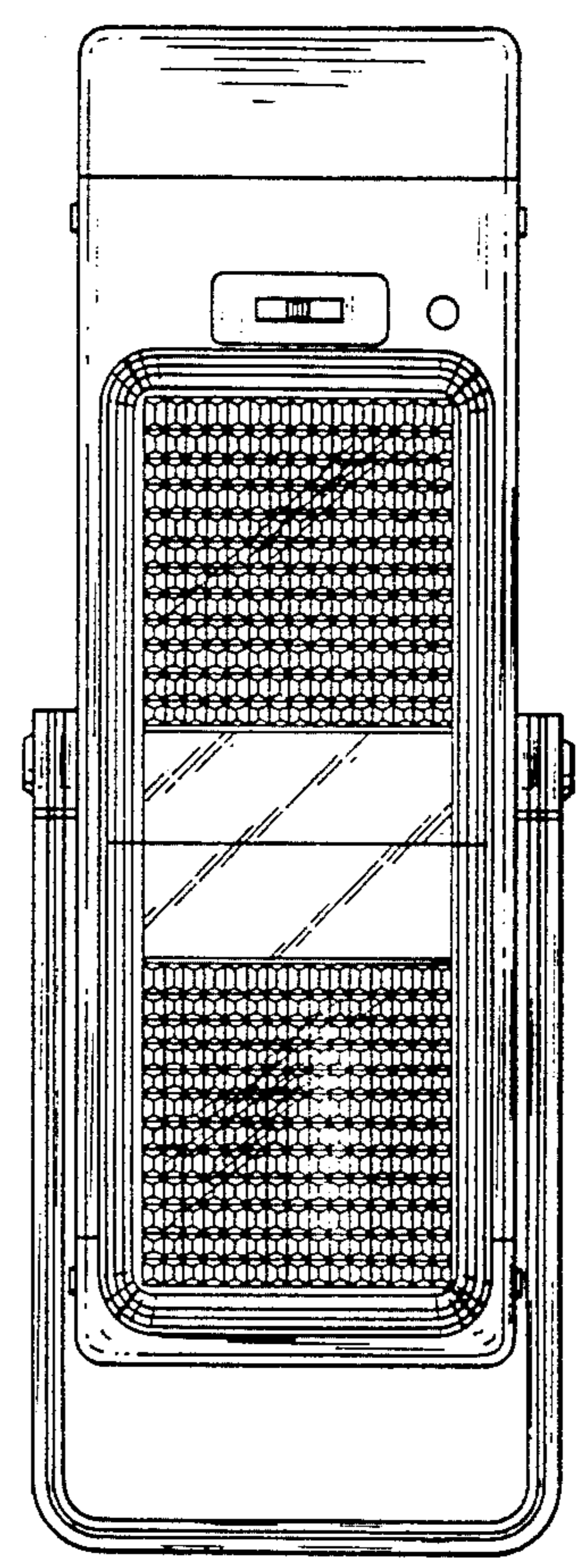


FIG. 3

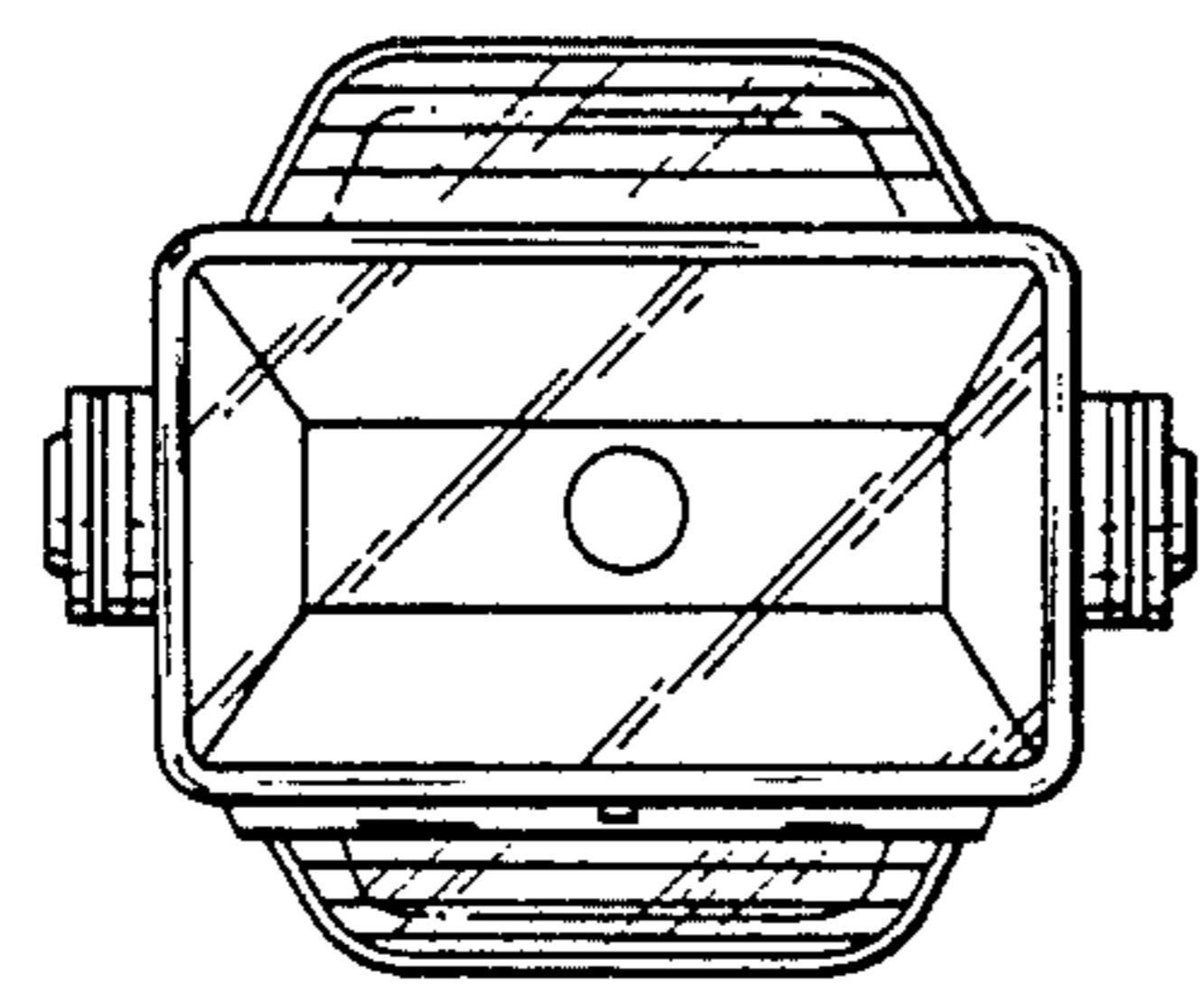


FIG. 4

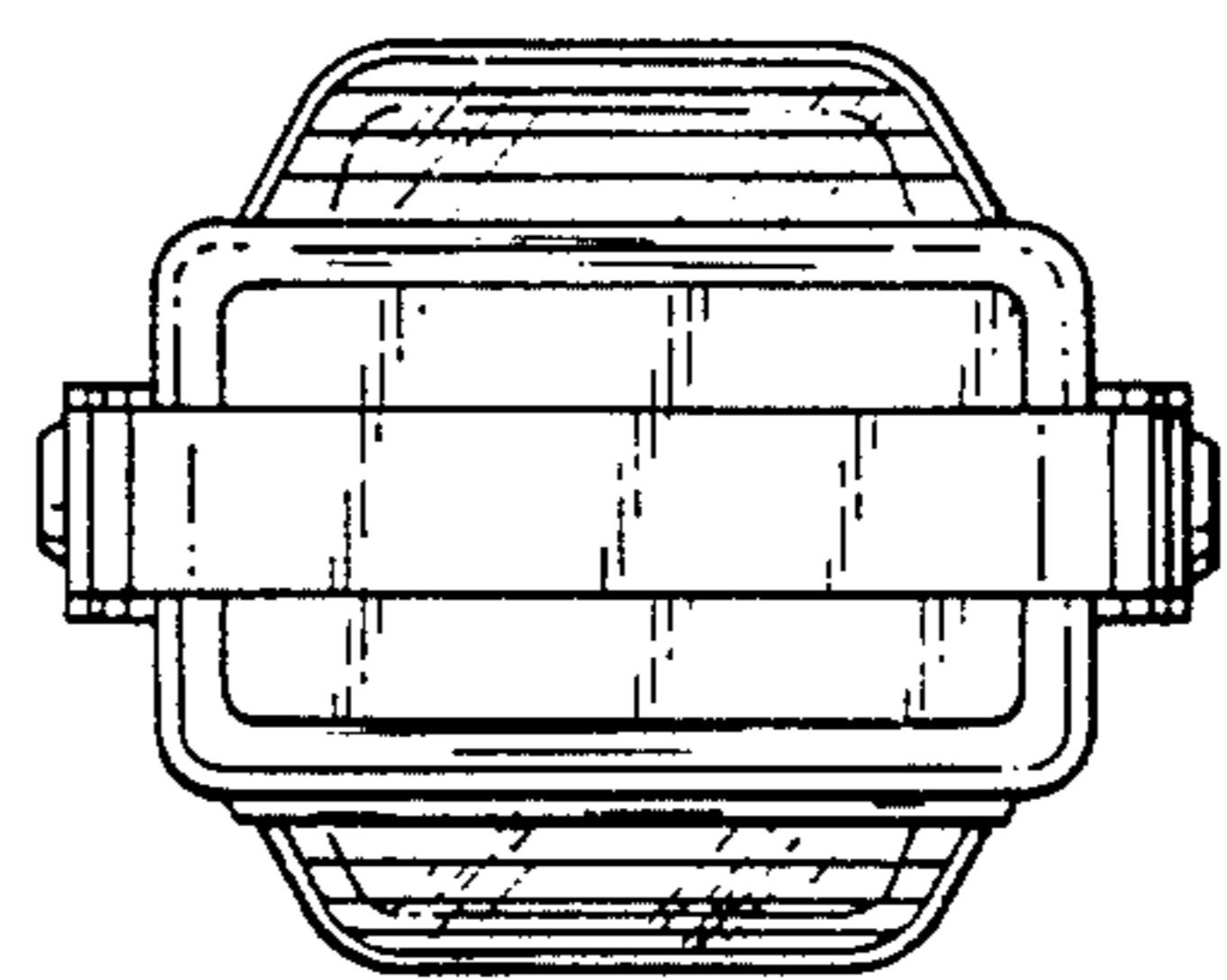


FIG. 5

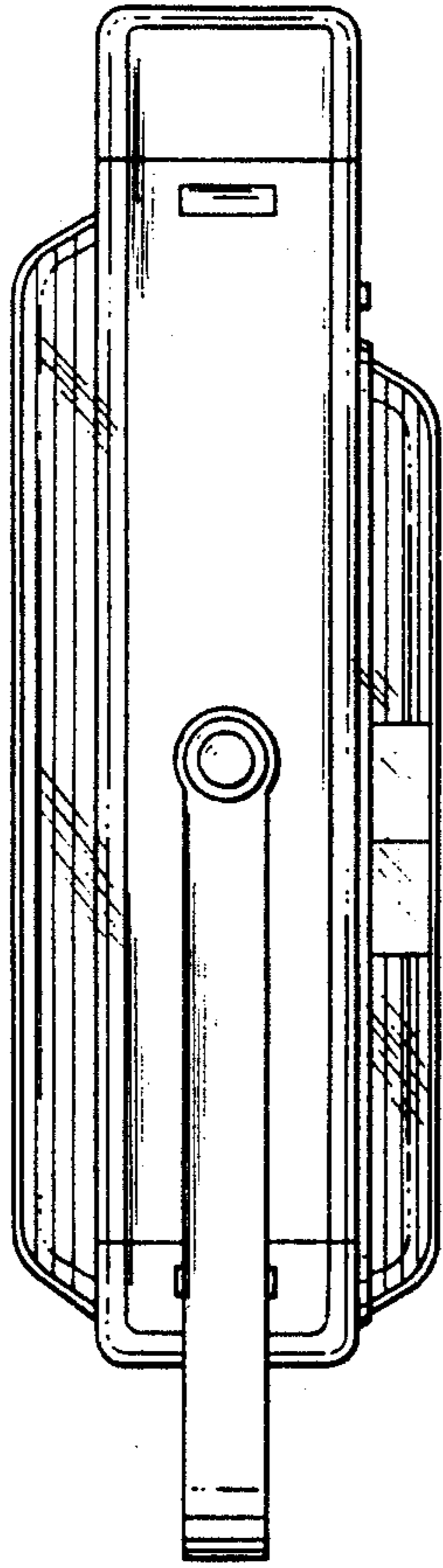


FIG. 2

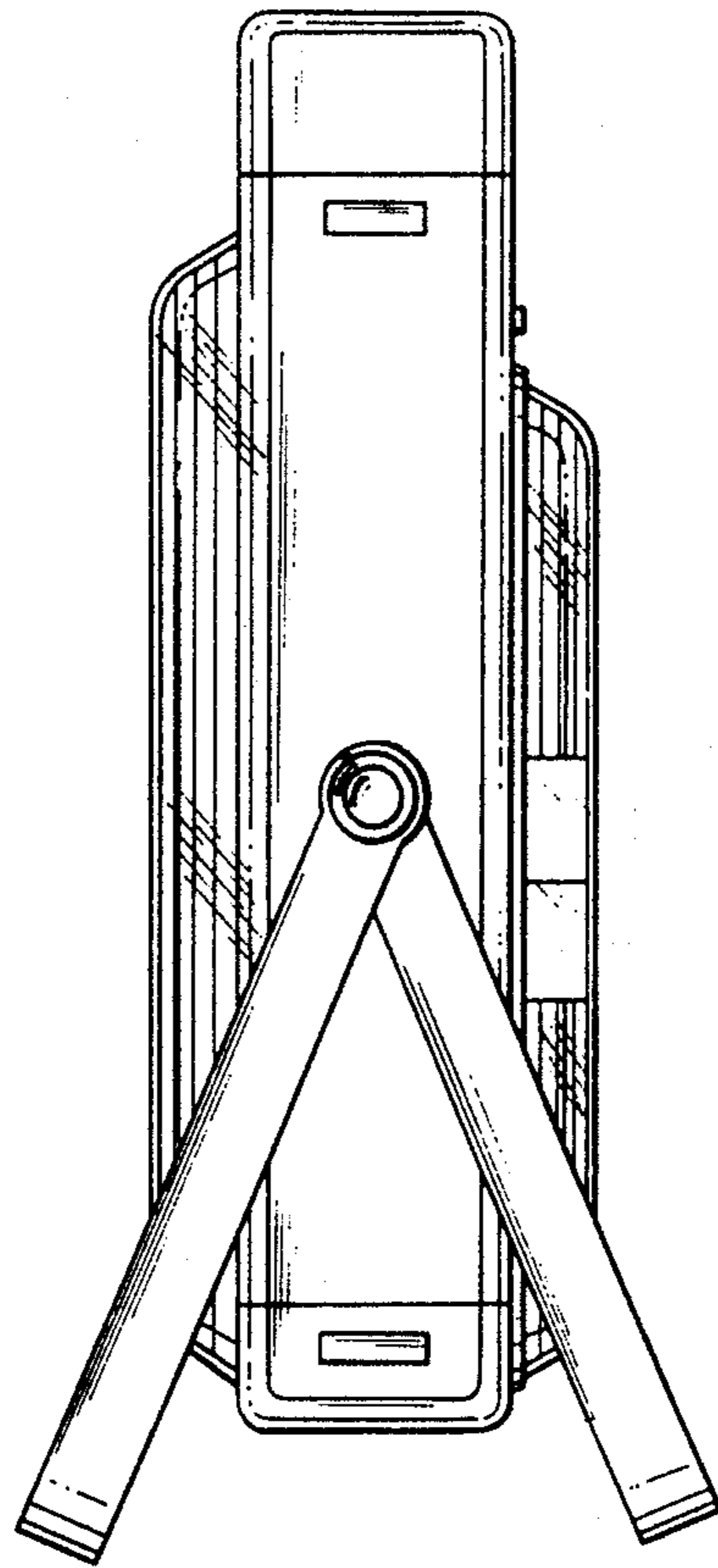


FIG. 6