

[54] COMBINED ELECTRIC KNEADER AND VIBRATORY MASSAGER

[75] Inventor: Mitsuyoshi Osawa, Gunma, Japan

[73] Assignee: Ichikawa Press Industry Co., Ltd., Japan

[\*\*] Term: 14 Years

[21] Appl. No.: 687,280

[22] Filed: Dec. 28, 1984

[30] Foreign Application Priority Data

Aug. 23, 1984 [JP] Japan ..... 59-035242

[52] U.S. Cl. .... D24/40; D24/36; D24/41

[58] Field of Search ..... D24/36, 40, 42; 128/60, 128/61, 67, 24.2, 24.3, 24.5, 44, 57, 62 R

[56] References Cited

U.S. PATENT DOCUMENTS

- 2,306,424 12/1942 Betz ..... 128/60
- 4,033,338 7/1977 Igwebike ..... 128/36
- 4,126,128 11/1978 Takahashi ..... 128/24.3

FOREIGN PATENT DOCUMENTS

- 2914717 10/1980 Fed. Rep. of Germany ..... 128/60

Primary Examiner—A. Hugo Word  
 Assistant Examiner—Stella M. Reid  
 Attorney, Agent, or Firm—Lowe, Price, LeBlanc,  
 Becker & Shur

[57] CLAIM

The ornamental design for a combined electric kneader and vibratory massager, as shown and described.

DESCRIPTION

FIG. 1 is a front perspective view of a combined electric kneader and vibratory massager showing my new design;

FIG. 2 is a rear perspective view thereof;

FIG. 3 is a front view thereof folding up.

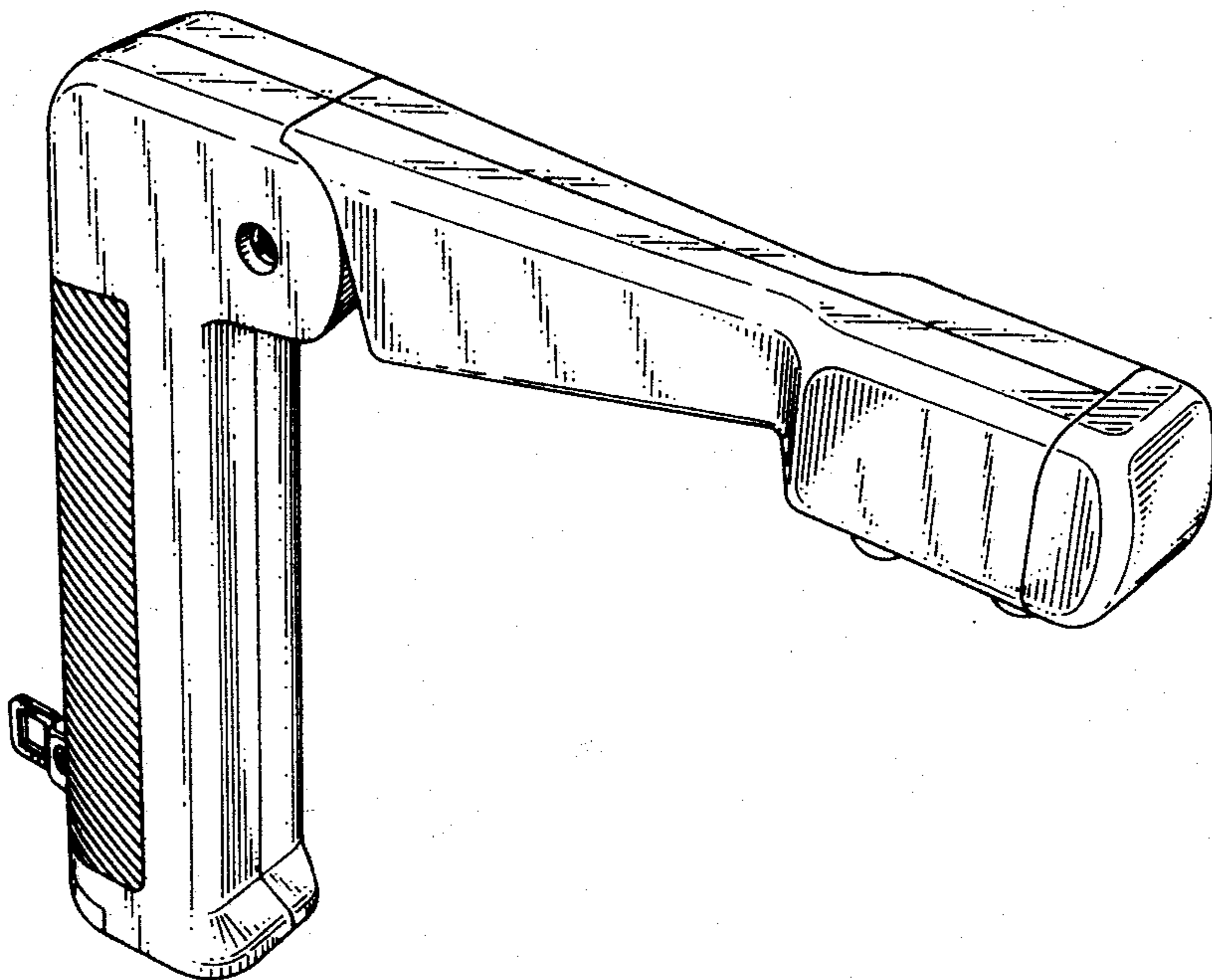


FIG. 1

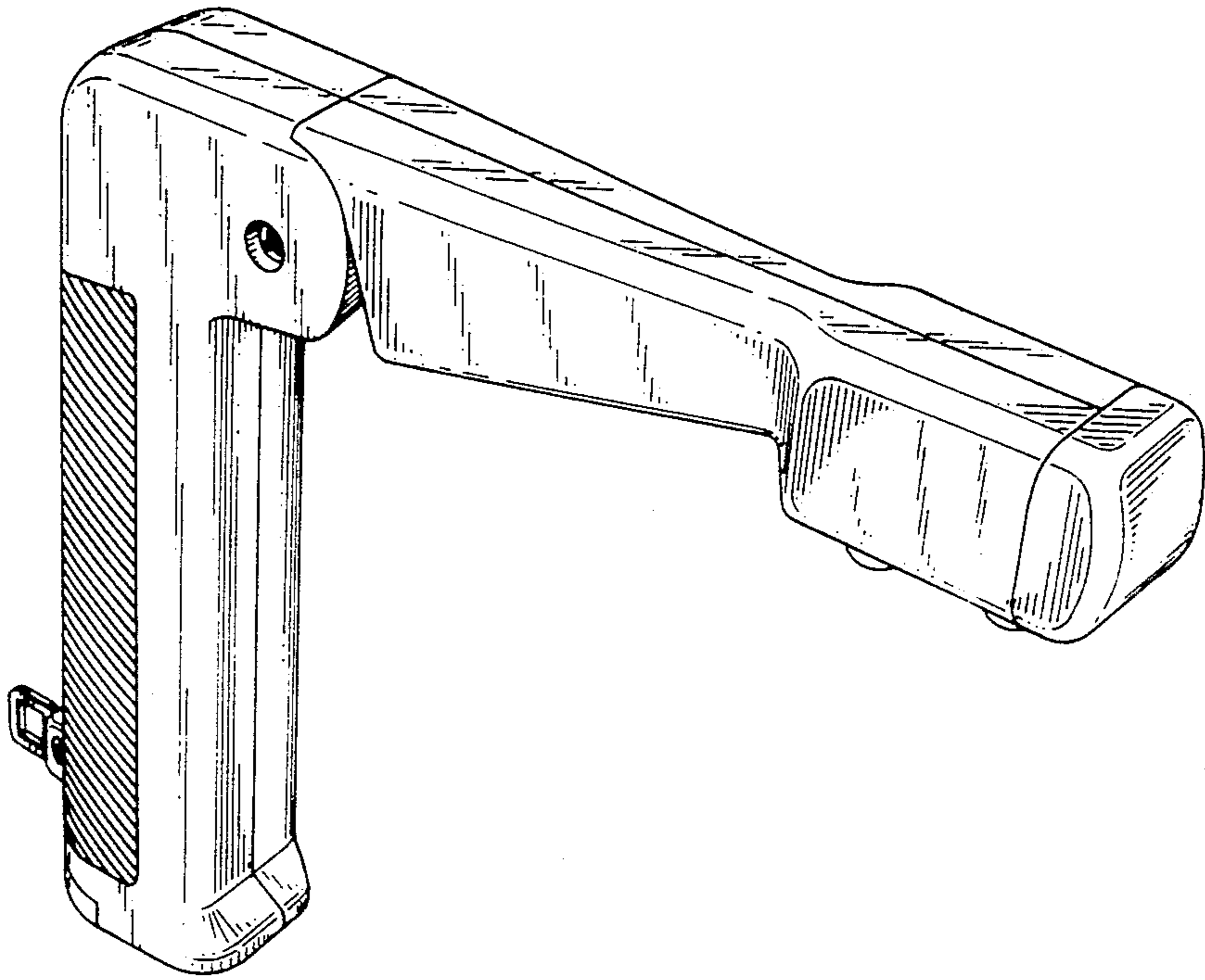


FIG. 2

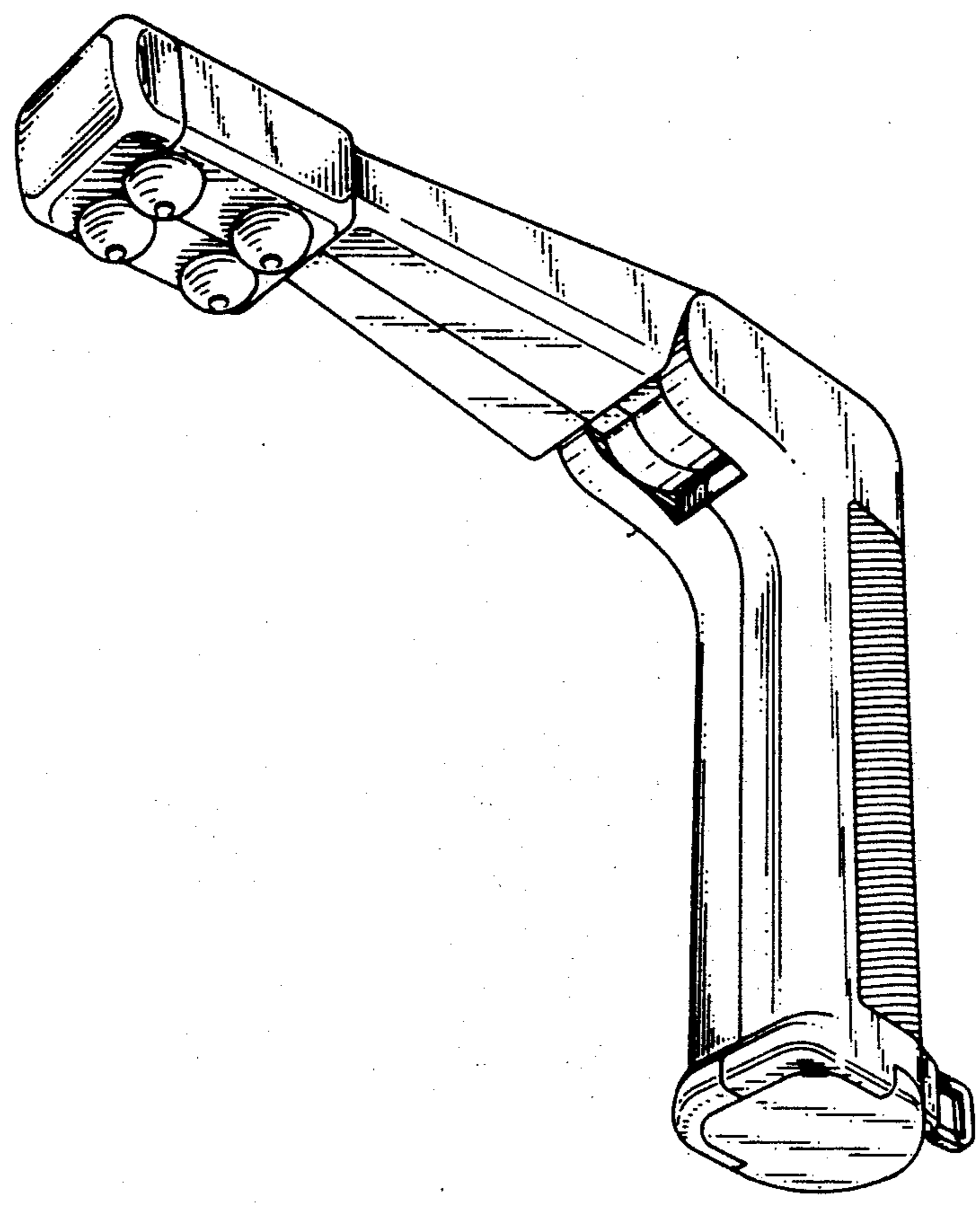


FIG. 3

