

[54] REAGENT VESSEL

[75] Inventor: Peter P. Tong, Redlands, Calif.

[73] Assignee: Kone Instruments Inc., Milton, Wis.

[**] Term: 14 Years

[21] Appl. No.: 683,721

[22] Filed: Dec. 19, 1984

[52] U.S. Cl. D24/29

[58] Field of Search D24/31, 32, 8, 17, 29;
436/165, 166, 45; 422/102, 101, 104; 356/244

[56] References Cited

U.S. PATENT DOCUMENTS

4,195,060	3/1980	Terk	422/102	X
4,310,488	1/1982	Rahm et al.	422/102	
4,387,164	6/1983	Hevey et al.	436/165	X
4,515,889	5/1985	Klose et al.	436/45	X

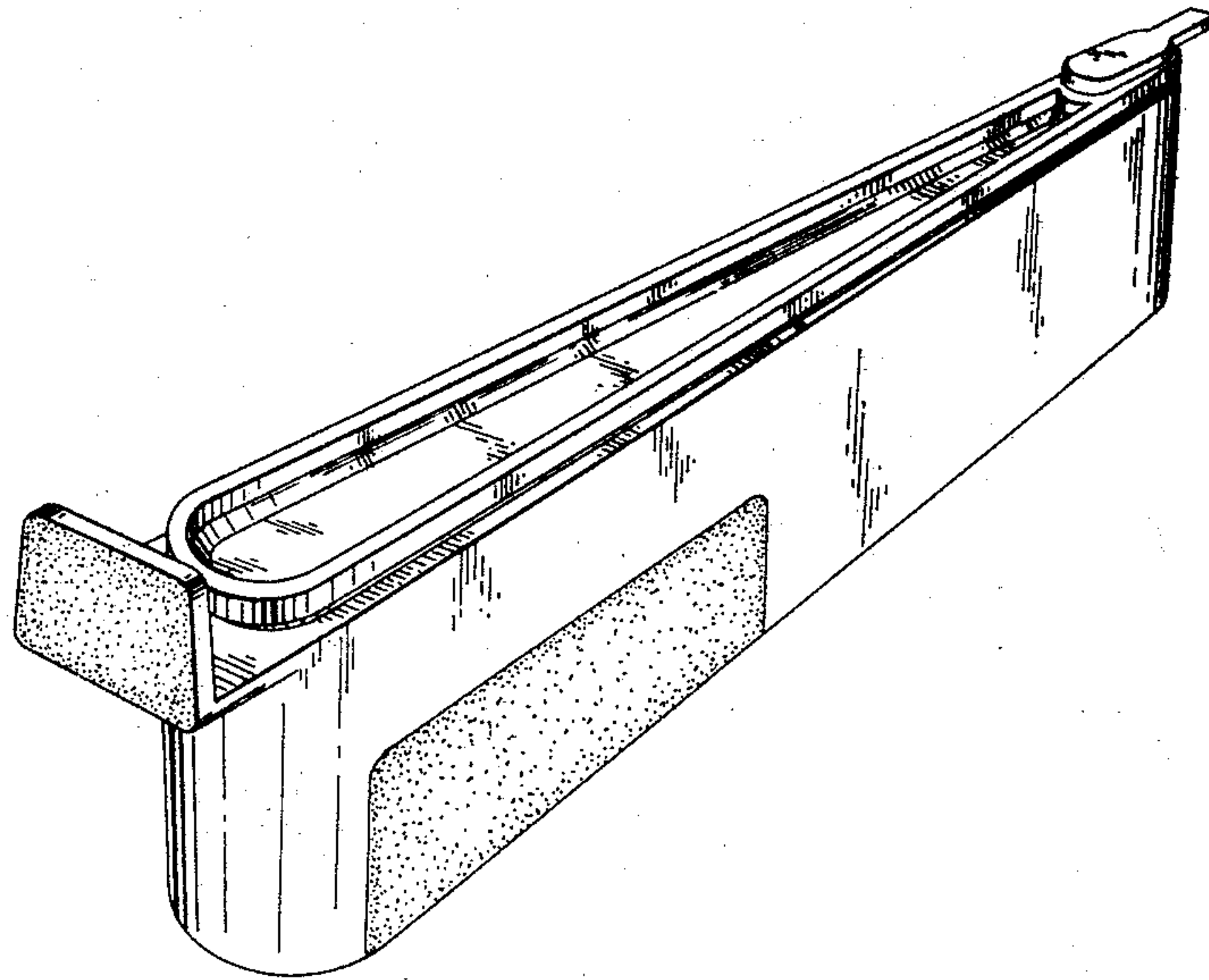
Primary Examiner—A. Hugo Word
Assistant Examiner—Stella M. Reid
Attorney, Agent, or Firm—Mason, Kolehmainen,
Rathburn & Wyss

[57] CLAIM

The ornamental design for a reagent vessel, substantially as shown.

DESCRIPTION

FIG. 1 is a top perspective view of a reagent vessel showing my new design;
FIG. 2 is a bottom perspective view thereof;
FIG. 3 is a top plan view thereof;
FIG. 4 is a side elevational view thereof;
FIG. 5 is a side elevational view thereof, opposite that shown in FIG. 4;
FIG. 6 is a bottom plan view thereof;
FIG. 7 is an end elevational view thereof; and
FIG. 8 is an end elevational view thereof, opposite that shown in FIG. 7.



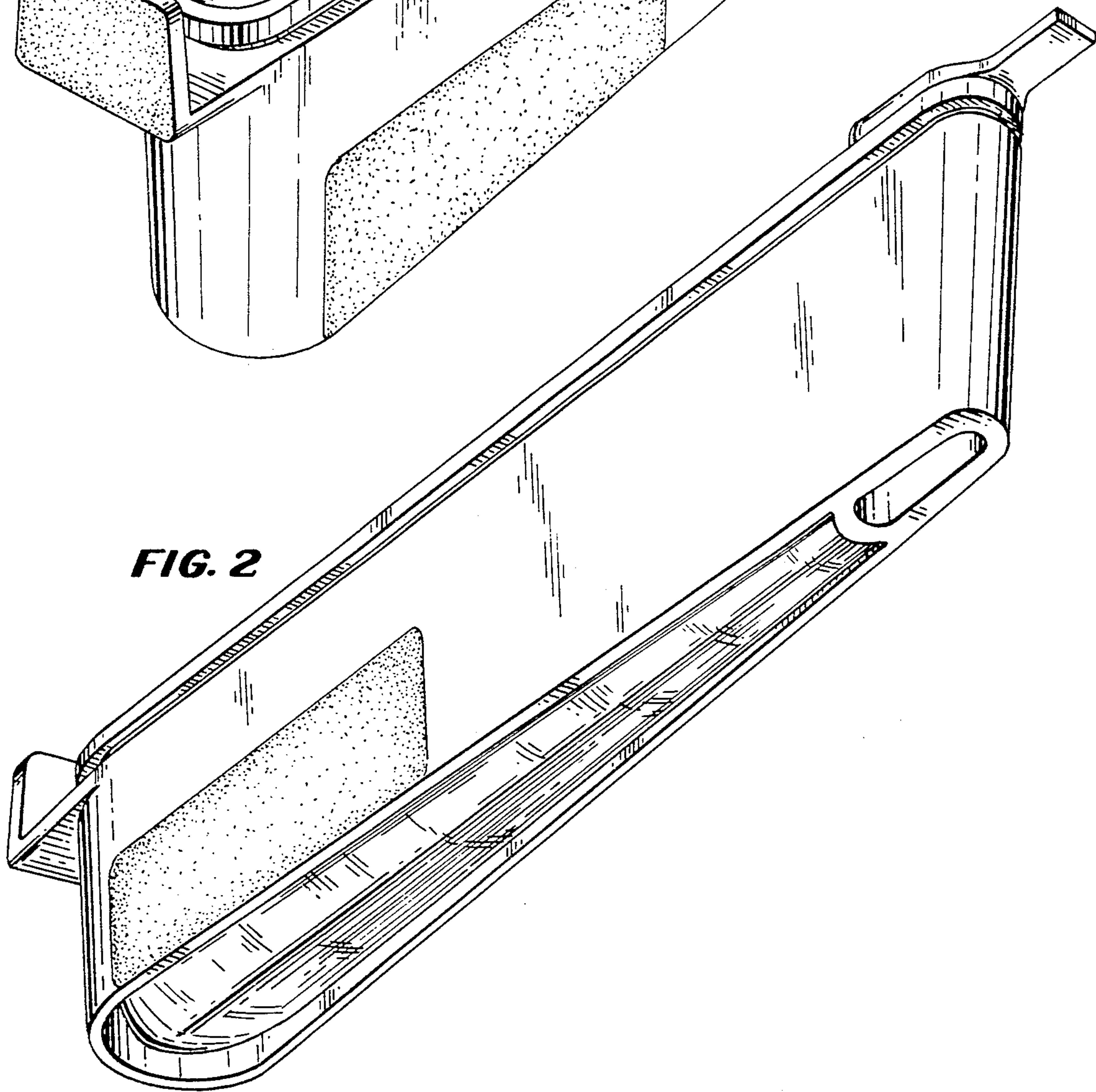
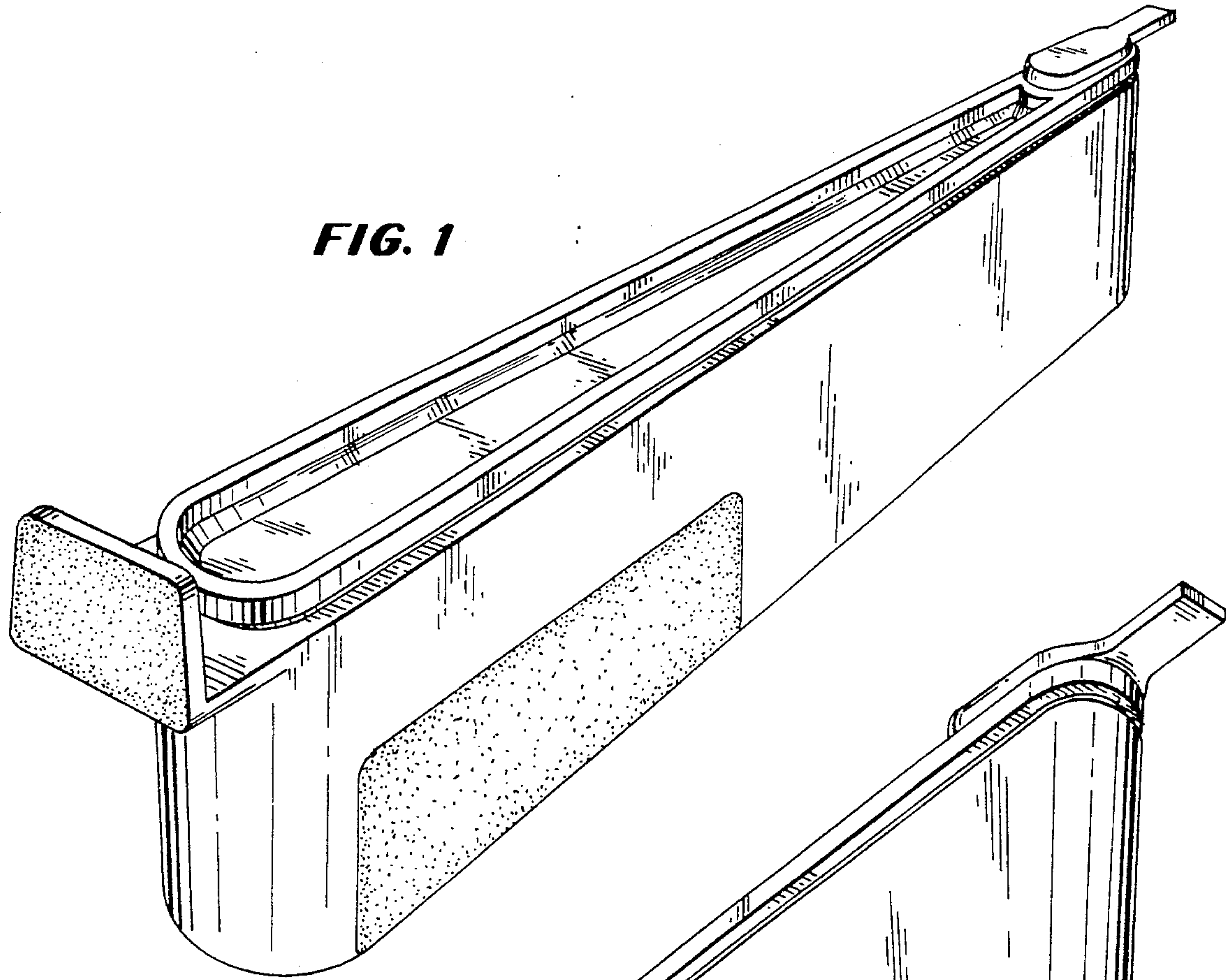


FIG. 3

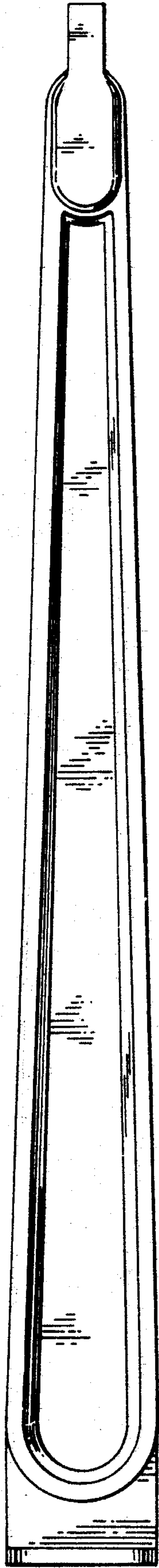
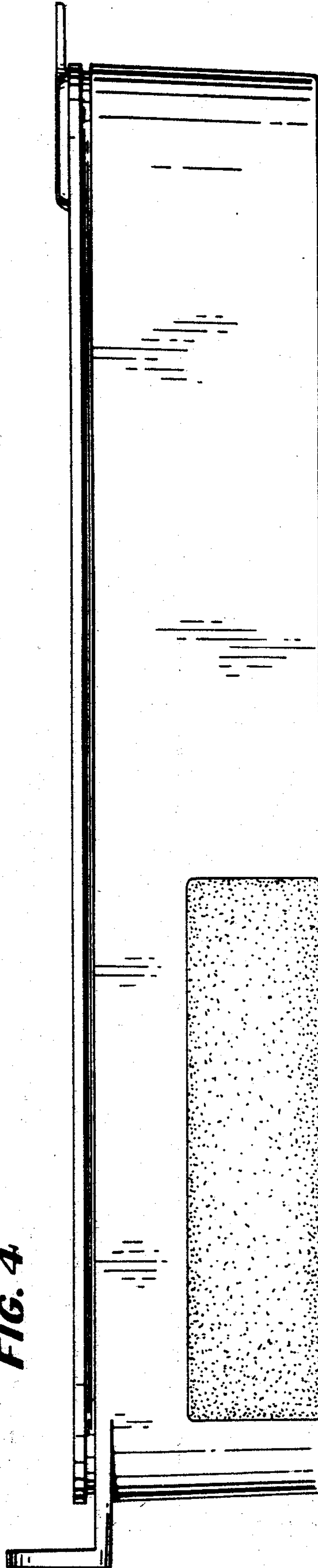


FIG. 4



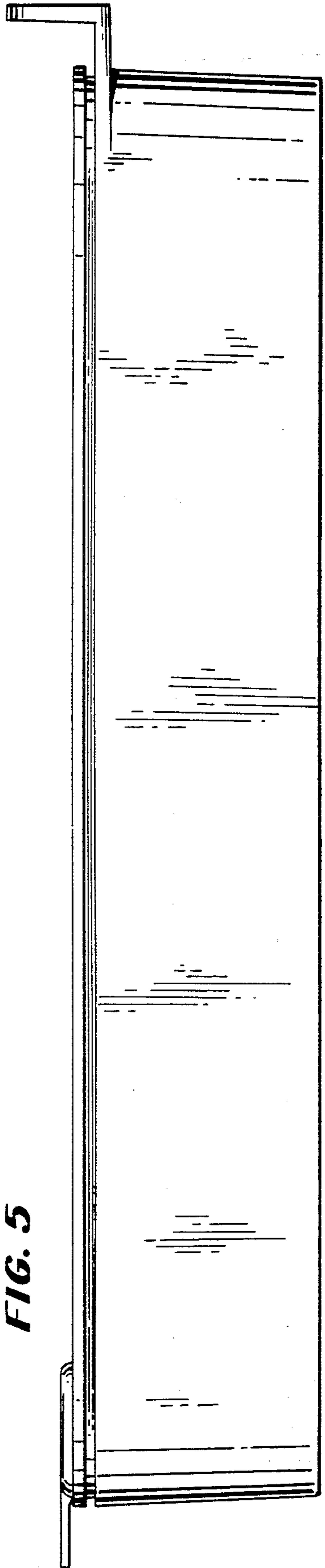


FIG. 5

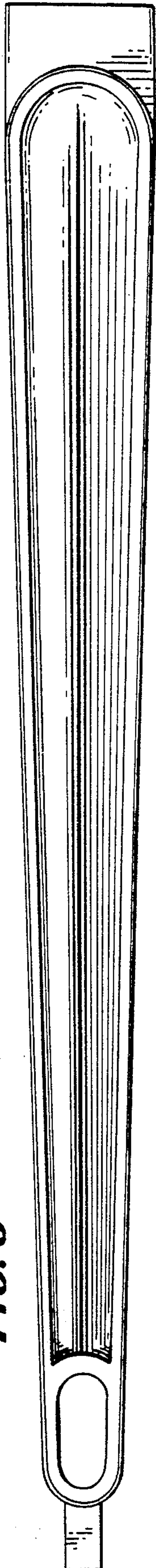


FIG. 6

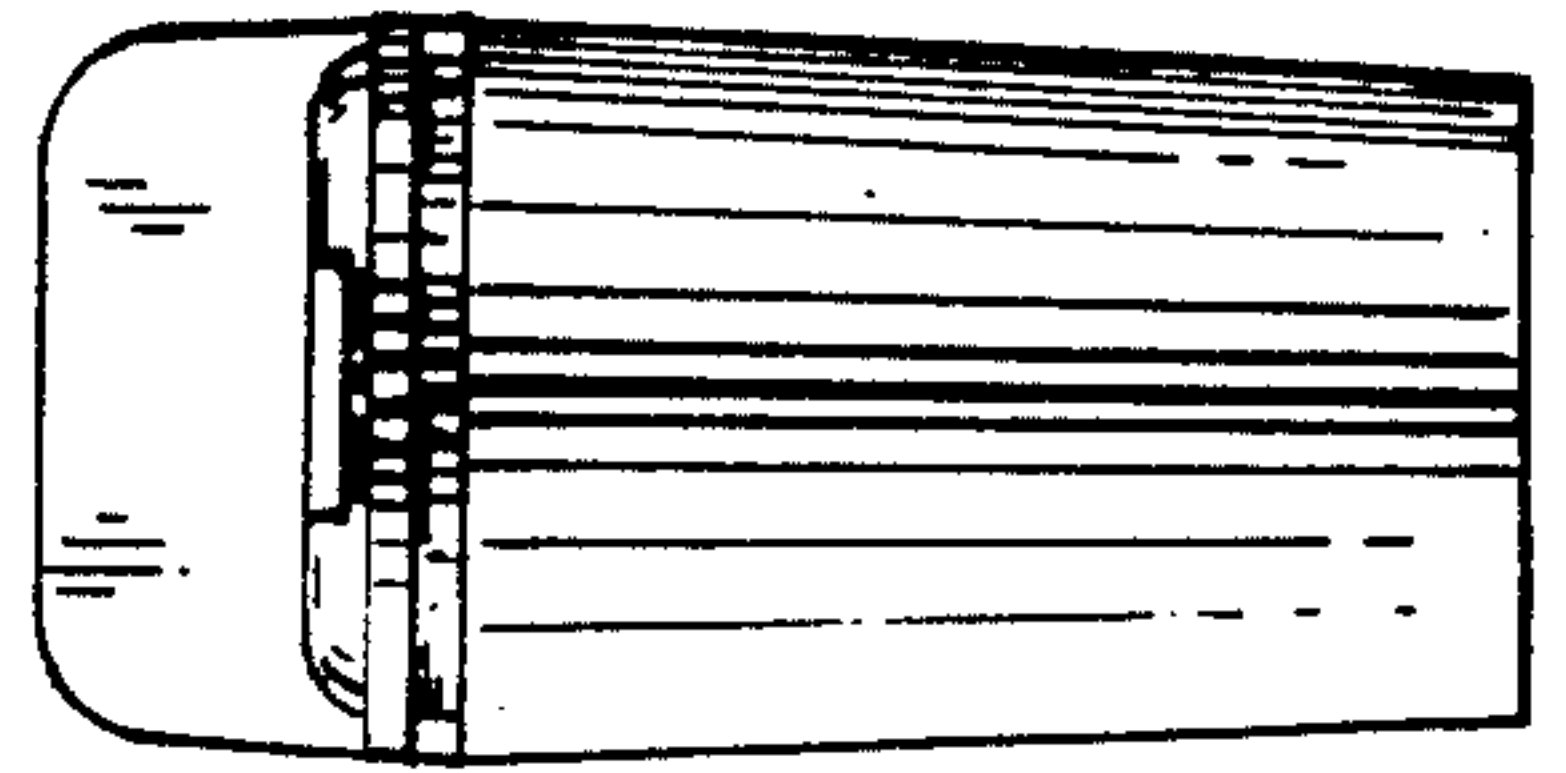


FIG. 8

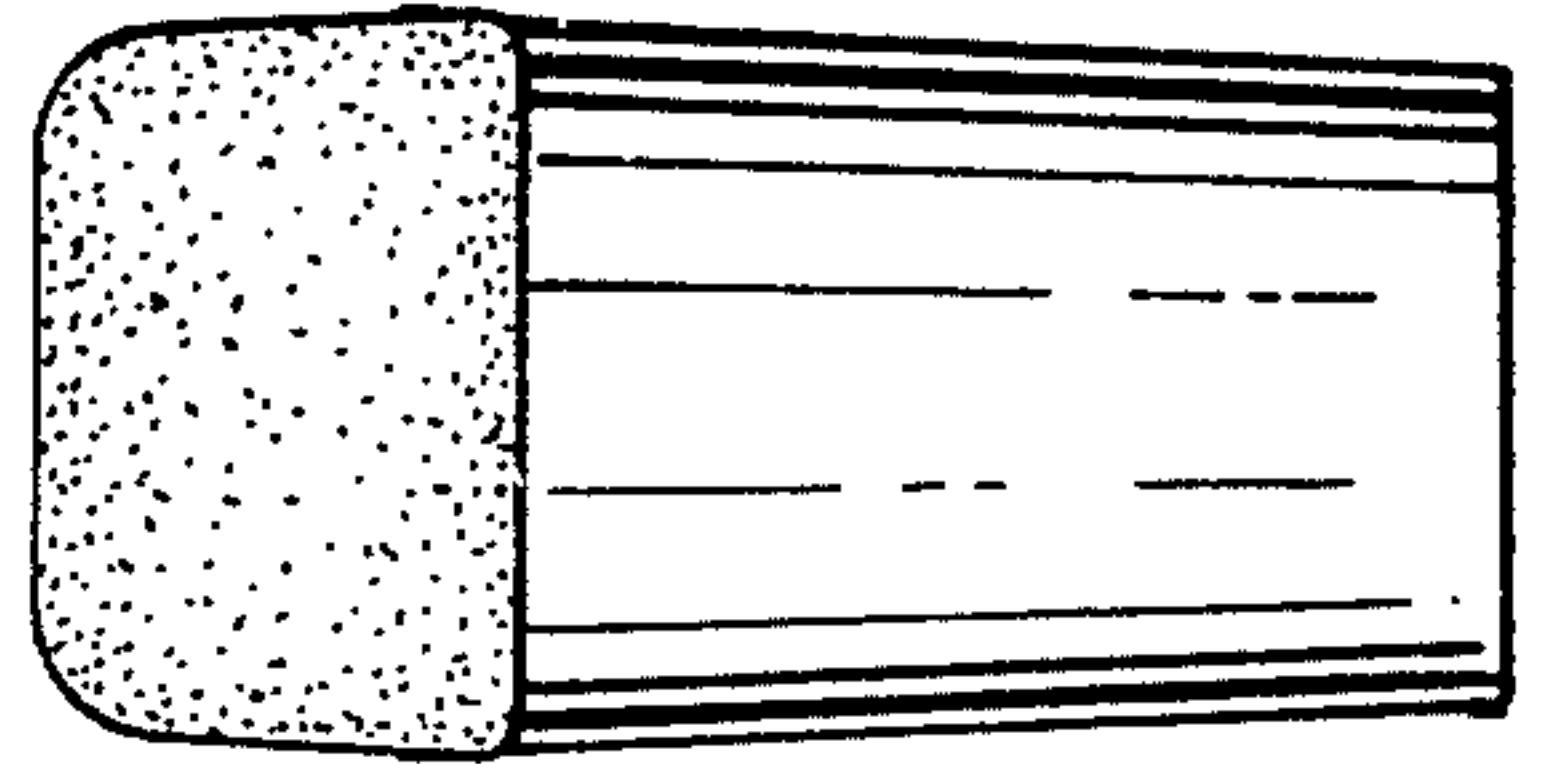


FIG. 7