

[54] **SLIDING SCALE DEVICE FOR MEDICAL DIAGNOSTIC PURPOSES**

[75] **Inventor: Peter Starkey, Luton, England**

[73] **Assignee: Alternate Resources Limited, England**

[**] **Term: 14 Years**

[21] **Appl. No.: 671,982**

[22] **Filed: Nov. 15, 1984**

[30] **Foreign Application Priority Data**

May 21, 1984 [GB] United Kingdom 1,019,787

[52] **U.S. Cl.** **D24/17; D10/71; D24/99**

[58] **Field of Search** **D24/8, 17, 99; D10/90, D10/94, 109, 71; 116/323, 324, 321; 33/486, 494, 487, 488, 1 D, 483, 473, 464**

[56] **References Cited**

U.S. PATENT DOCUMENTS

D. 223,959 6/1972 Vuynovich D10/71 X

D. 272,421	1/1984	Sandel	D10/71
679,599	7/1901	Campbell	D10/71
1,699,847	1/1929	Kuhlman	33/486
2,422,745	6/1947	Ost	33/486
2,456,676	12/1948	Chowns	116/323 X

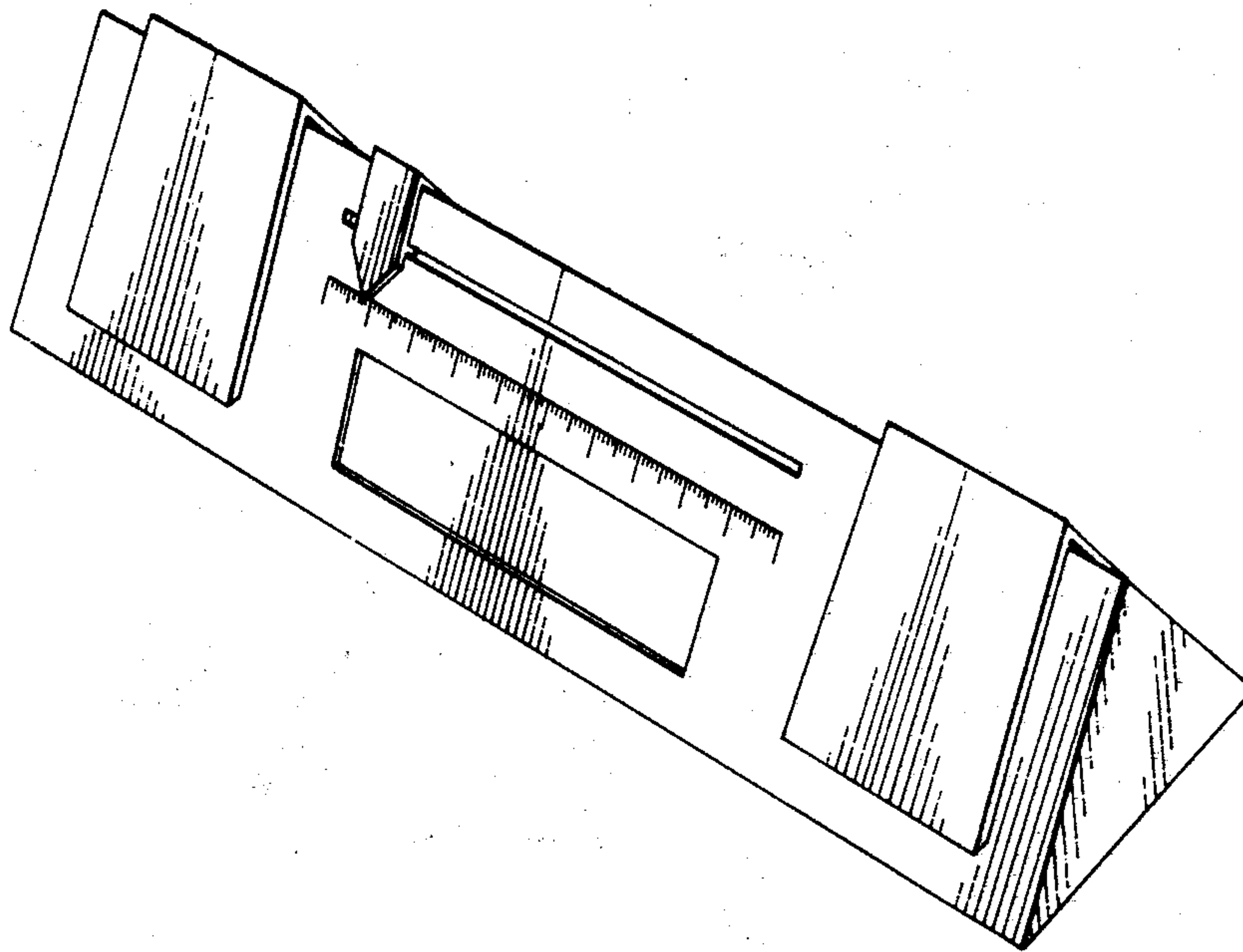
Primary Examiner—A. Hugo Word
Assistant Examiner—Stella M. Reid
Attorney, Agent, or Firm—Lowe, Price, LeBlanc, Becker & Shur

[57] **CLAIM**

The ornamental design for a sliding scale device for medical diagnostic purposes, substantially as shown and described.

DESCRIPTION

FIG. 1 is a top, front, right perspective view of a sliding scale device for medical diagnostic purposes showing my new design;
FIG. 2 is a rear elevational view thereof;
FIG. 3 is an end elevational view thereof;
FIG. 4 is a bottom plan view thereof; and
FIG. 5 is a perspective view thereof with parts separated.



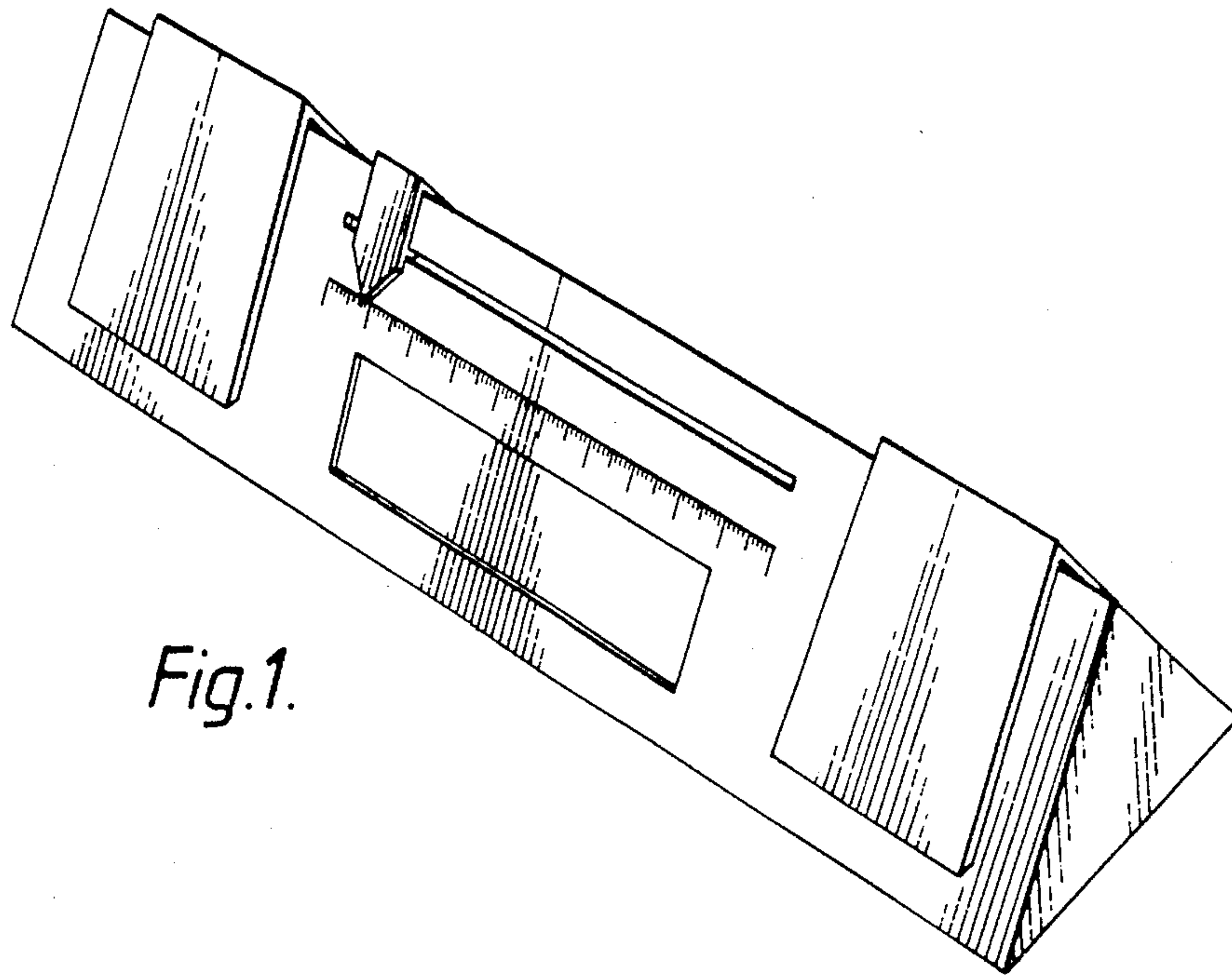


Fig. 1.

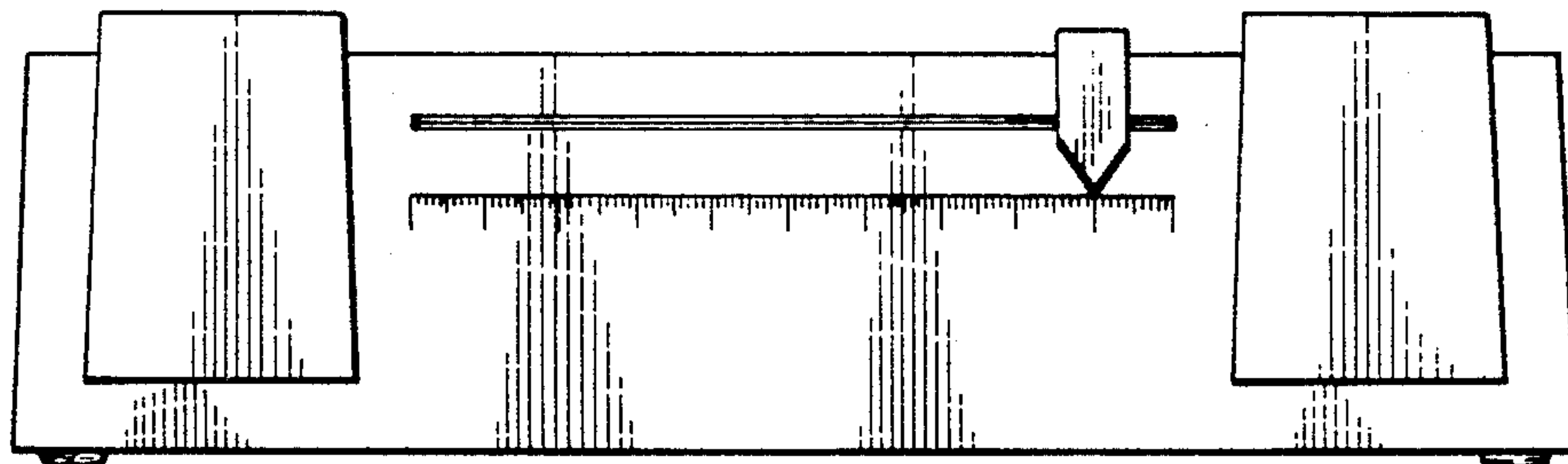


Fig. 2.

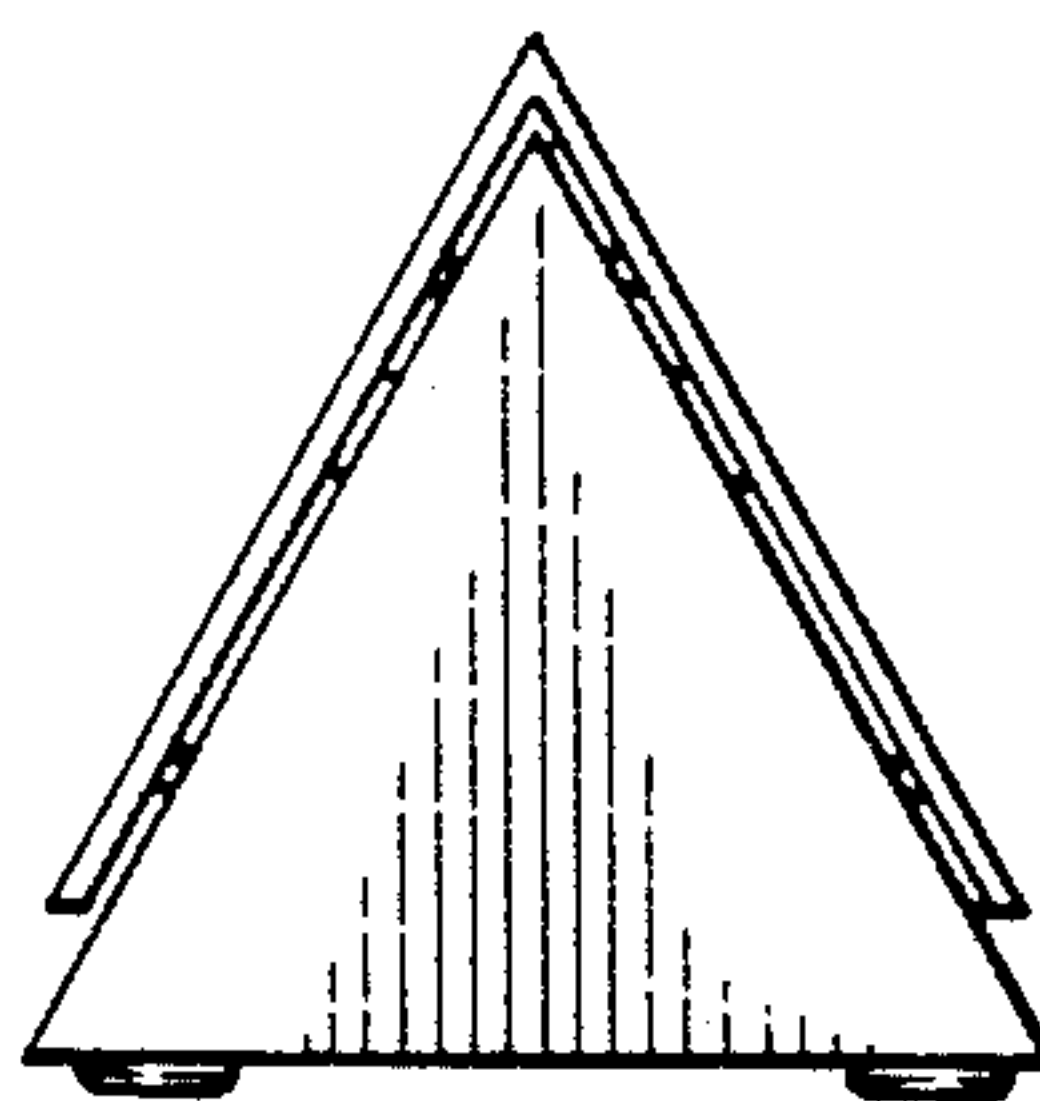


Fig. 3.

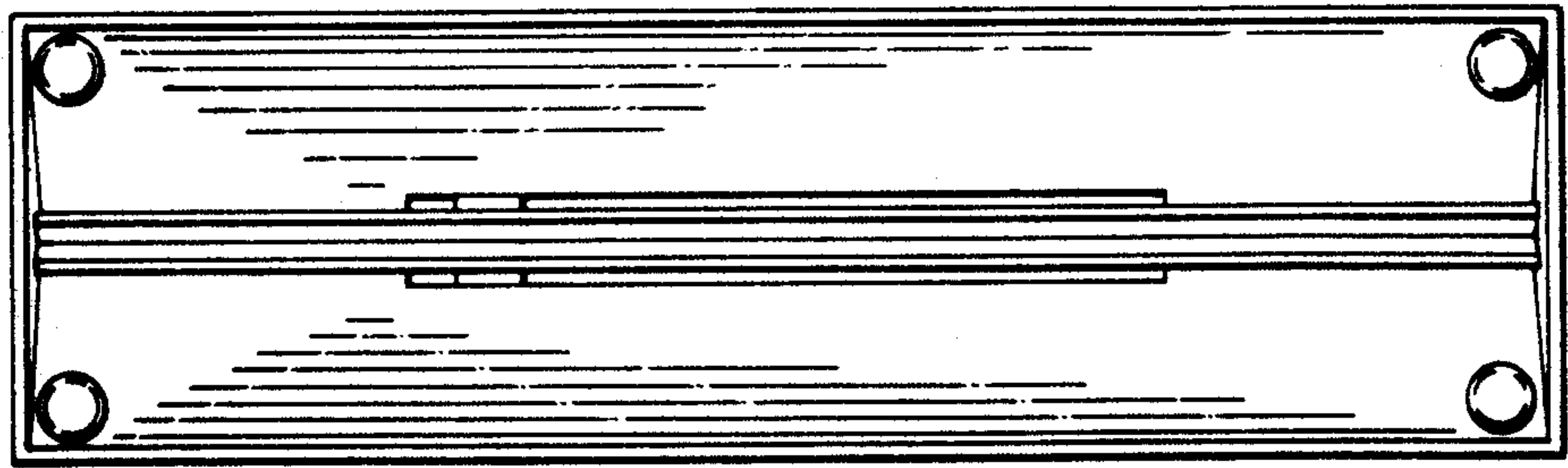


Fig. 4.

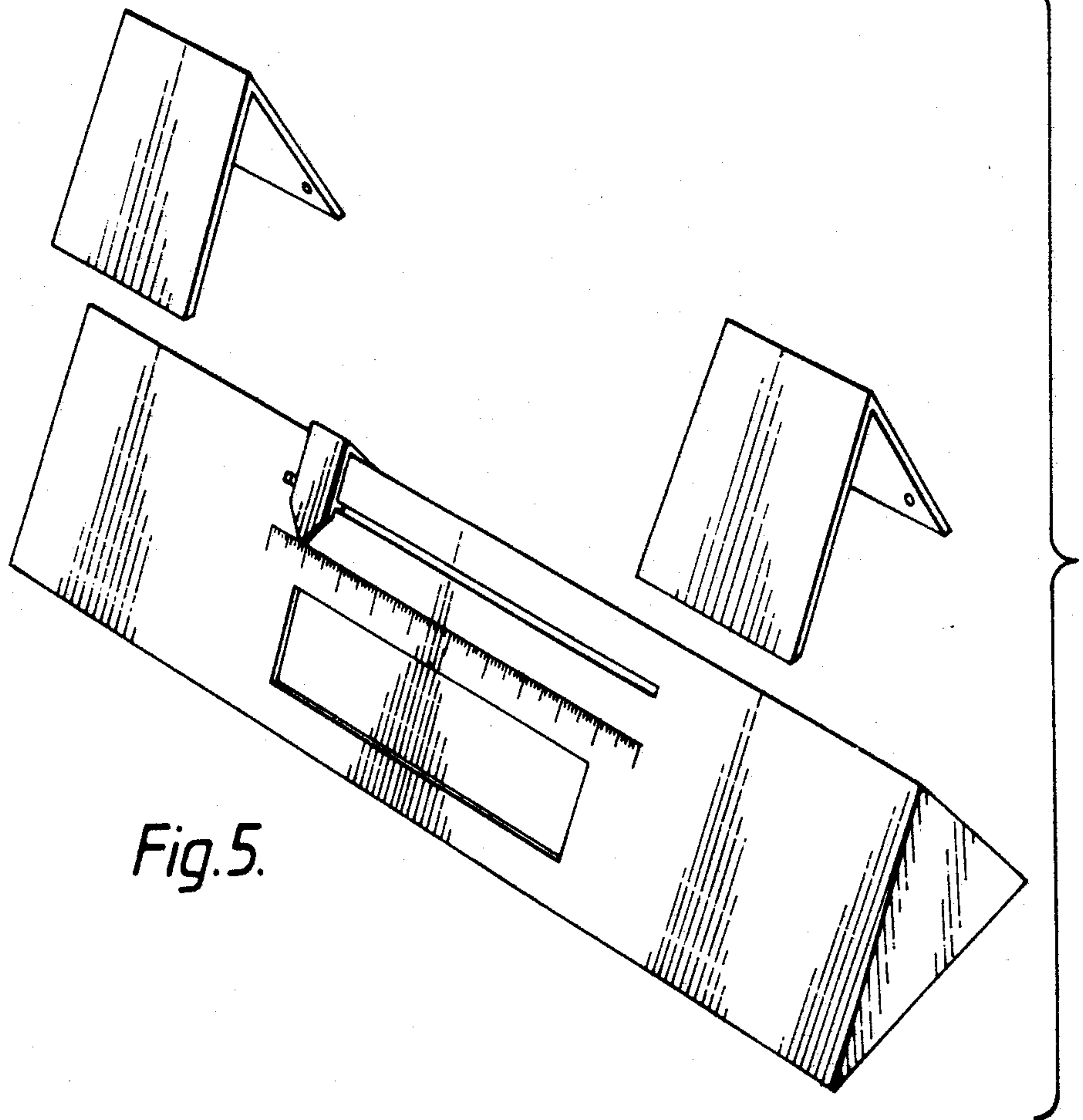


Fig. 5.