

[54] LAB MIXER WITH ADJUSTABLE SHAFT

4,396,291 8/1983 Simmonds 366/282

[75] Inventors: Philip H. Stevens; Charles F. T. Merritt, both of Skaneateles, N.Y.

[73] Assignee: General Signal Corporation, Stamford, Conn.

[**] Term: 14 Years

[21] Appl. No.: 660,610

[22] Filed: Oct. 12, 1984

[52] U.S. Cl. D24/8

[58] Field of Search D24/8, 23; 366/129, 366/343, 344, 241, 244, 249, 251, 254, 261, 282, 601, 111, 142, 216; D7/378, 386, 376

[56] References Cited

U.S. PATENT DOCUMENTS

2,250,142	7/1941	Umstead	366/251 X
2,833,576	5/1958	Cirone	366/251 X
4,193,702	3/1980	Davis	366/343

OTHER PUBLICATIONS

Fisher Scientific 1983, ©1982, Fisher Motorized Stirrers, p. 114.

Primary Examiner—A. Hugo Word

Assistant Examiner—Stella M. Reid

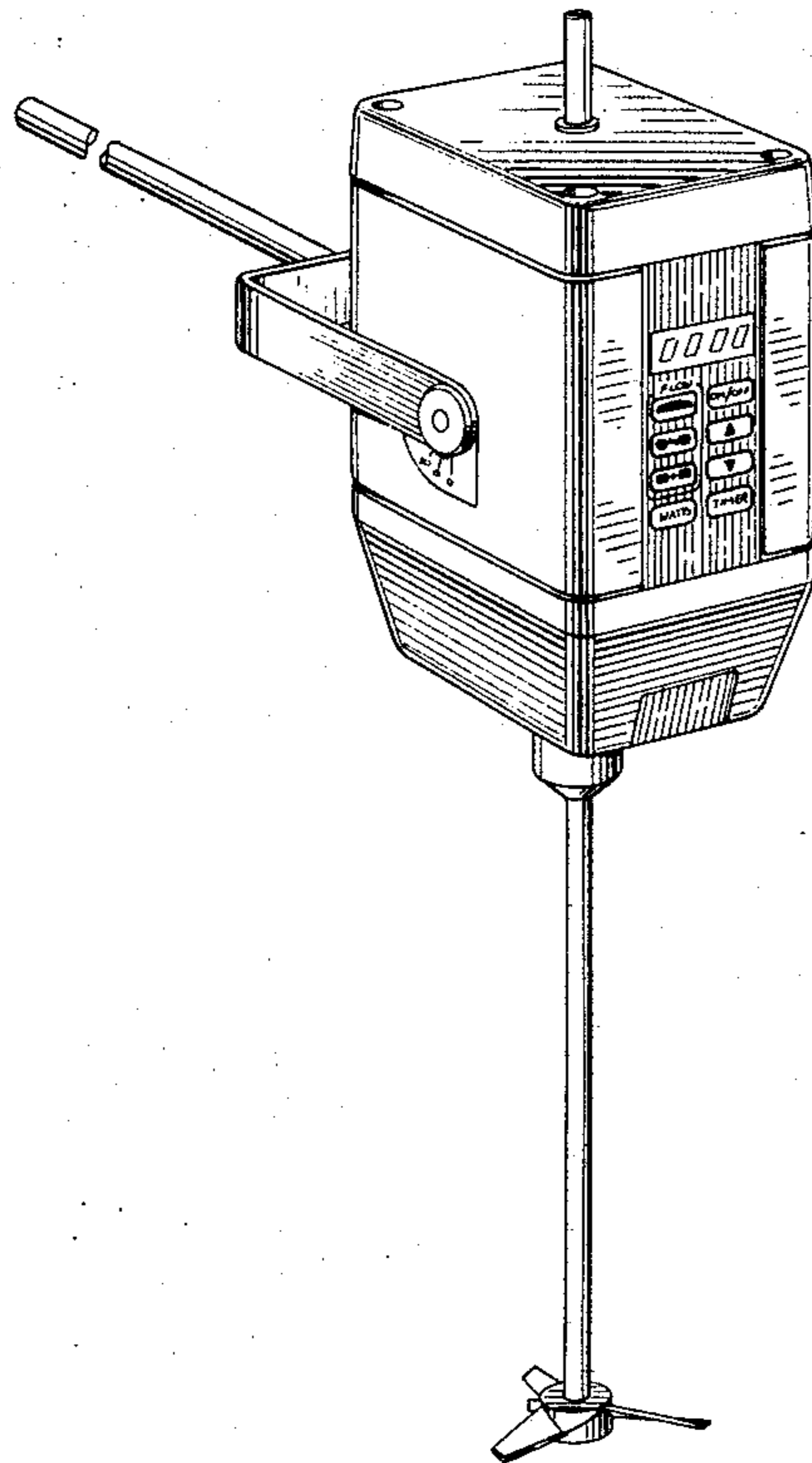
Attorney, Agent, or Firm—Jeffrey S. Mednick; Harold Huberfeld

[57] CLAIM

The ornamental design for a lab mixer with adjustable shaft, as shown and described.

DESCRIPTION

FIG. 1 is a front perspective view of a lab mixer with adjustable shaft showing our new design; FIG. 2 is a front elevational view of the mixer; FIG. 3 is a leftside elevational view of the mixer; FIG. 4 is a top plan view of the mixer; FIG. 5 is a rear elevational view of the mixer; and FIG. 6 is a bottom plan view of the mixer.



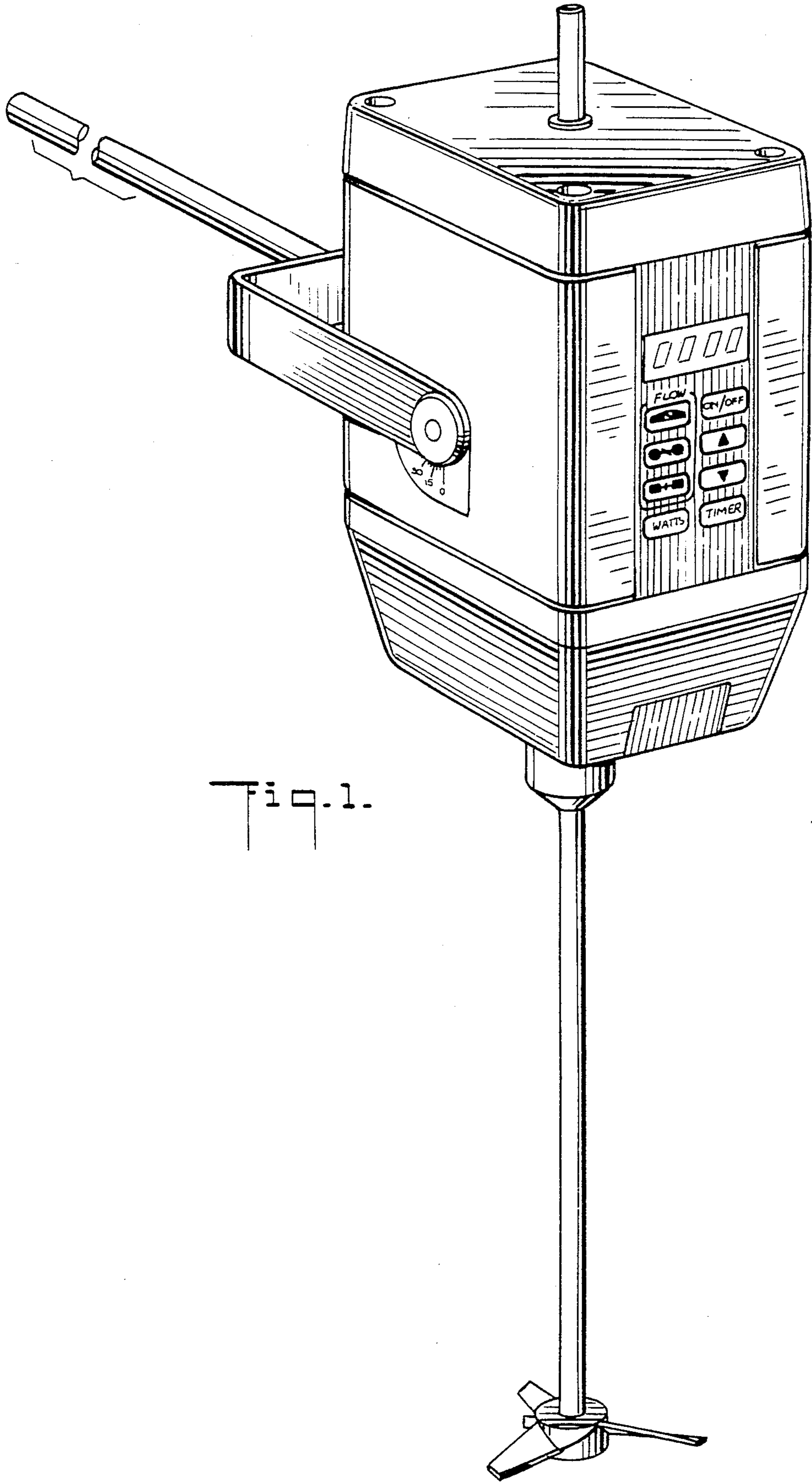


Fig. 1.

Fig. 3.

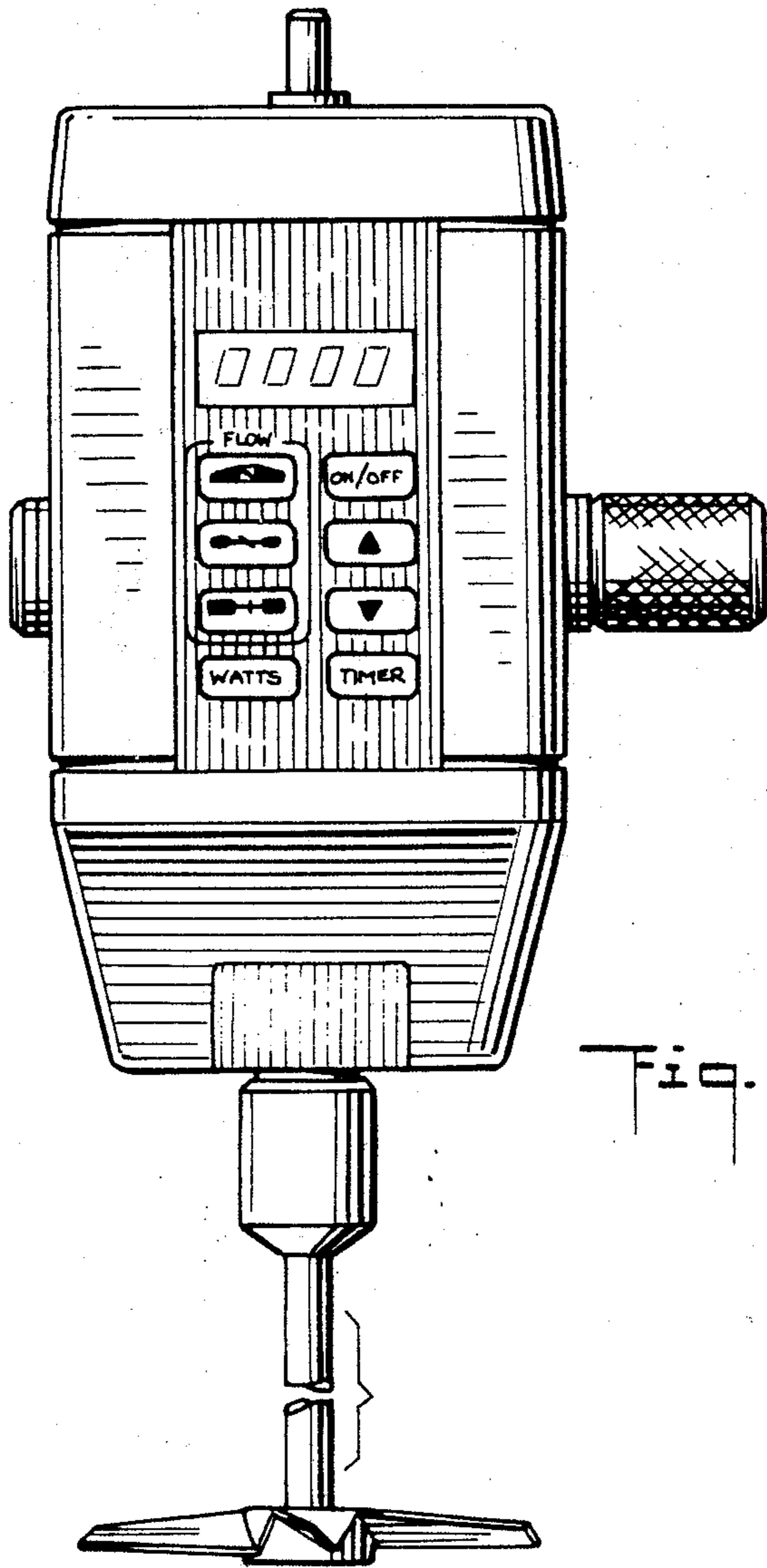
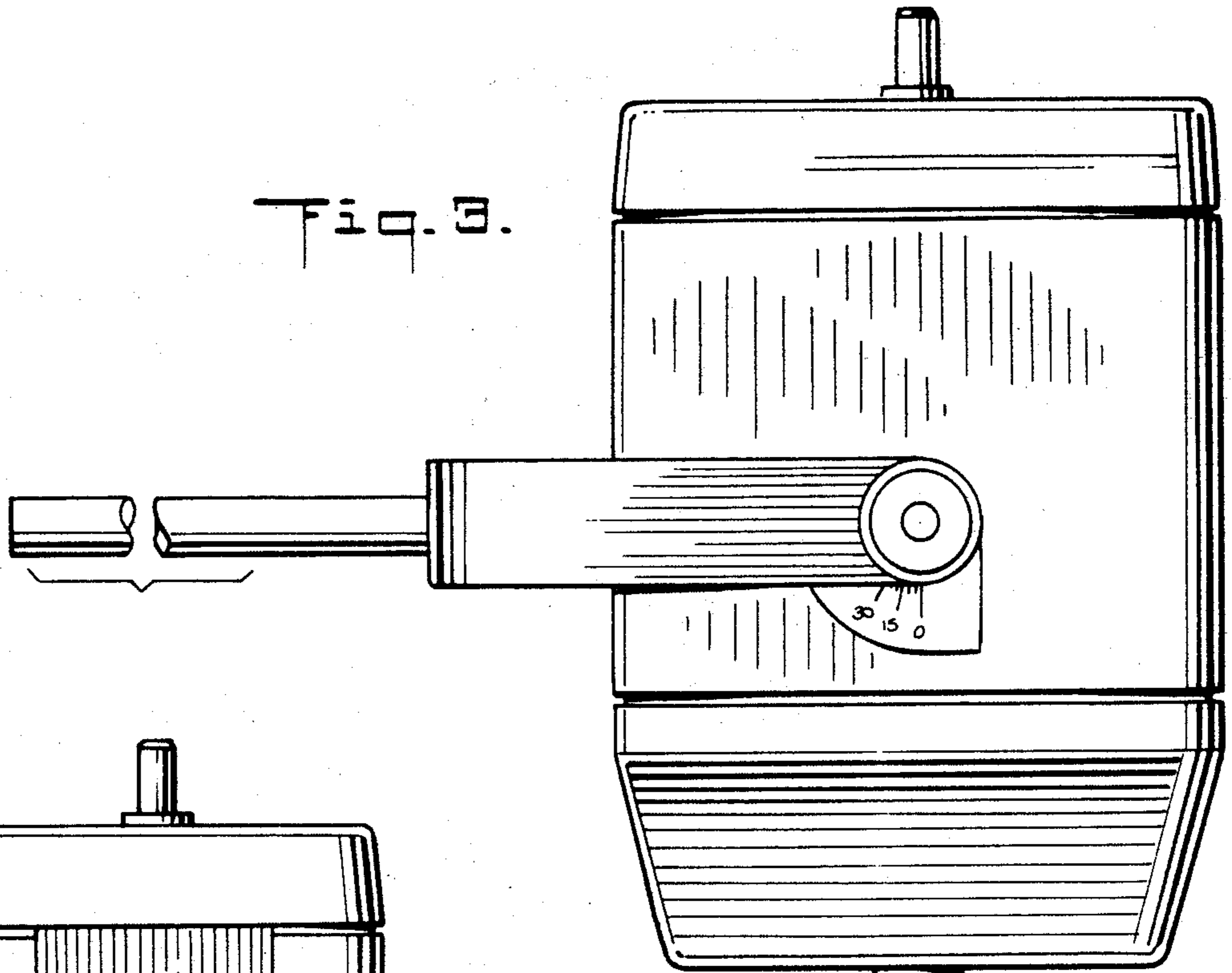
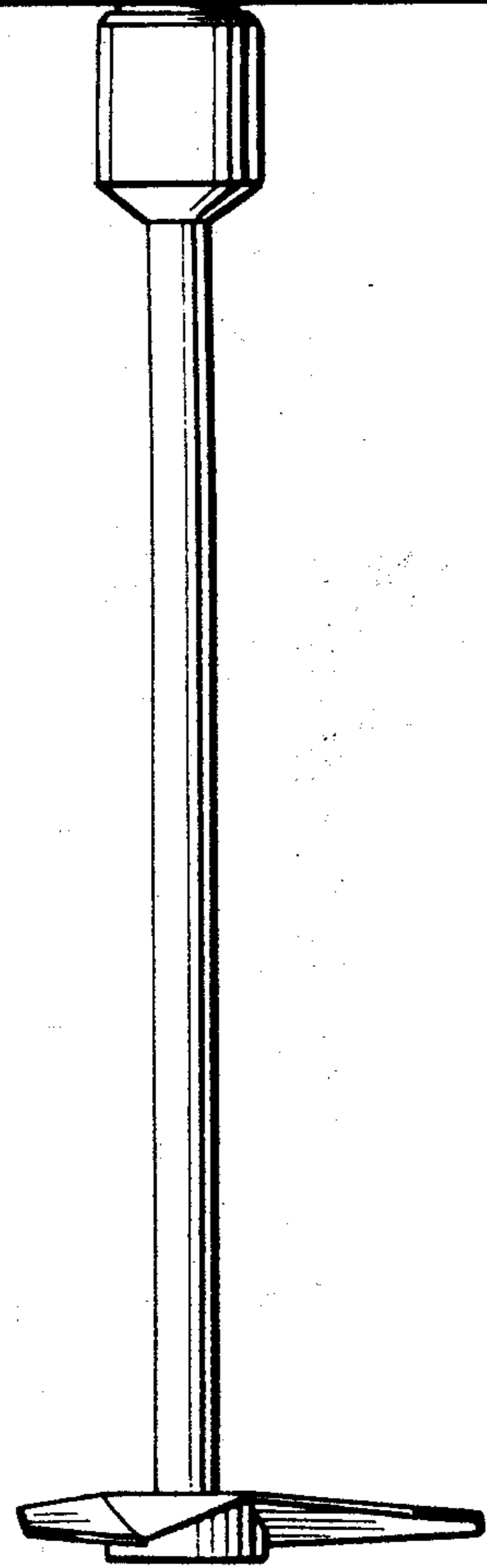


Fig. 2.



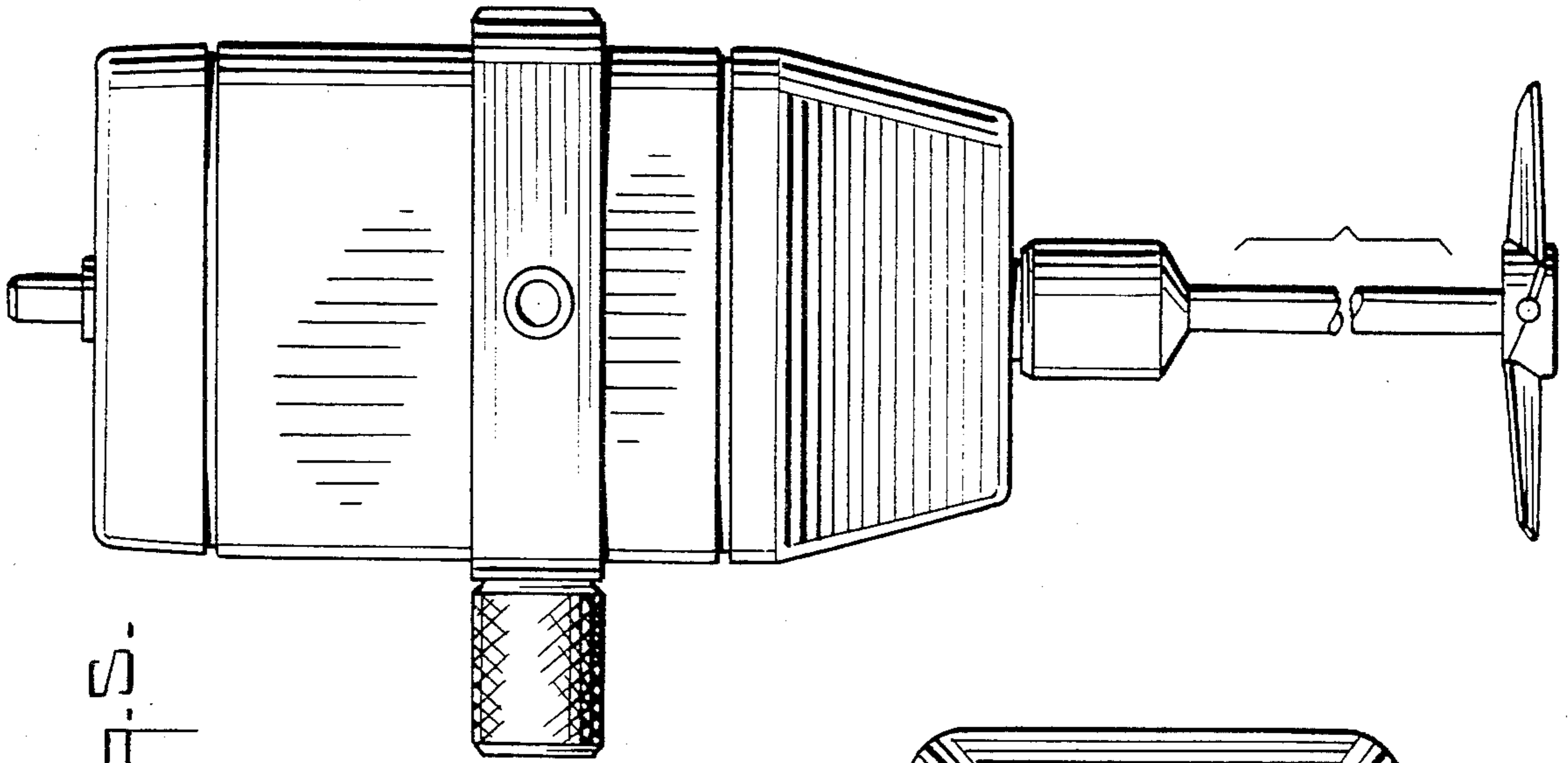


Fig. 3.

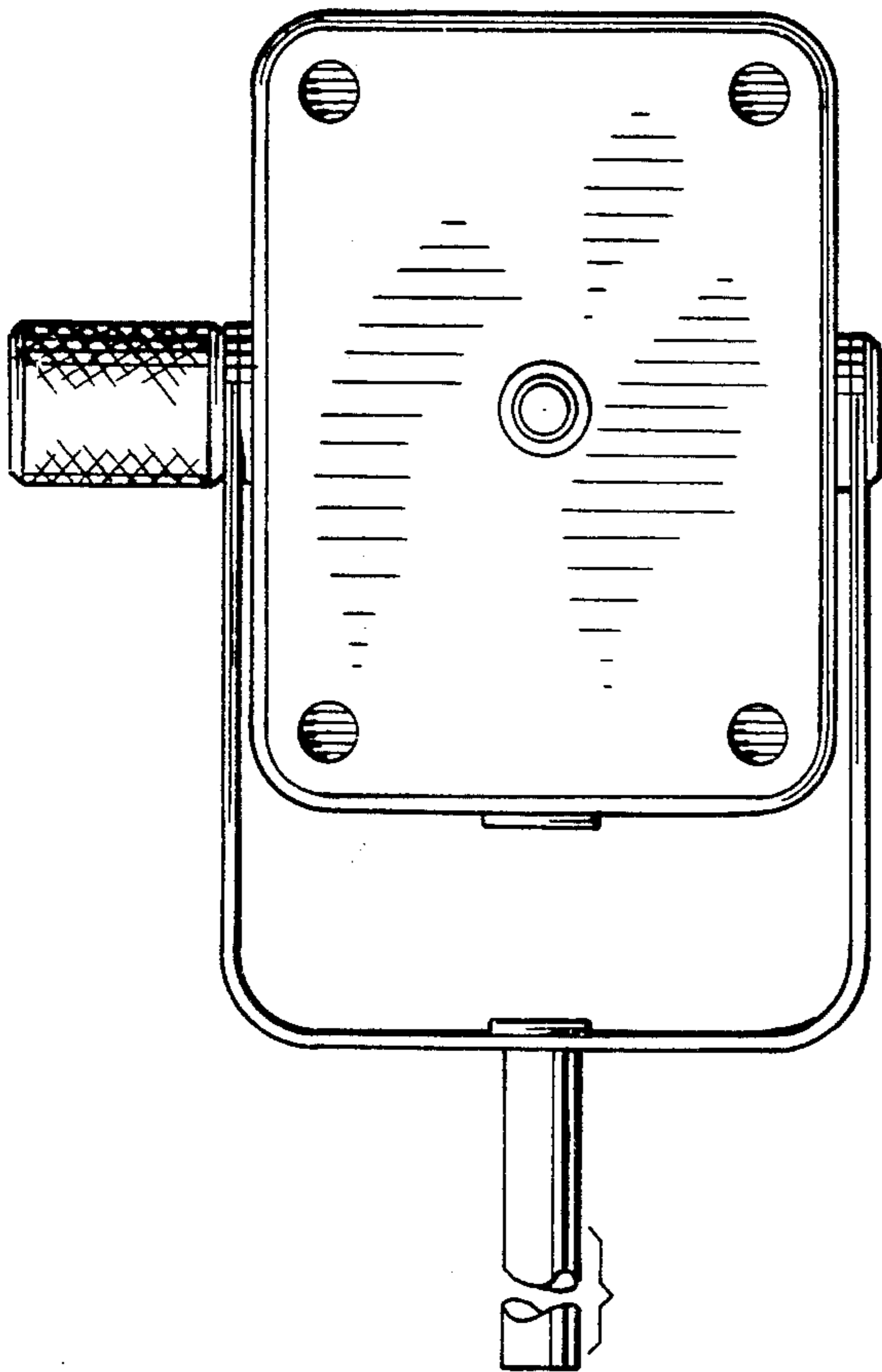


Fig. 4.

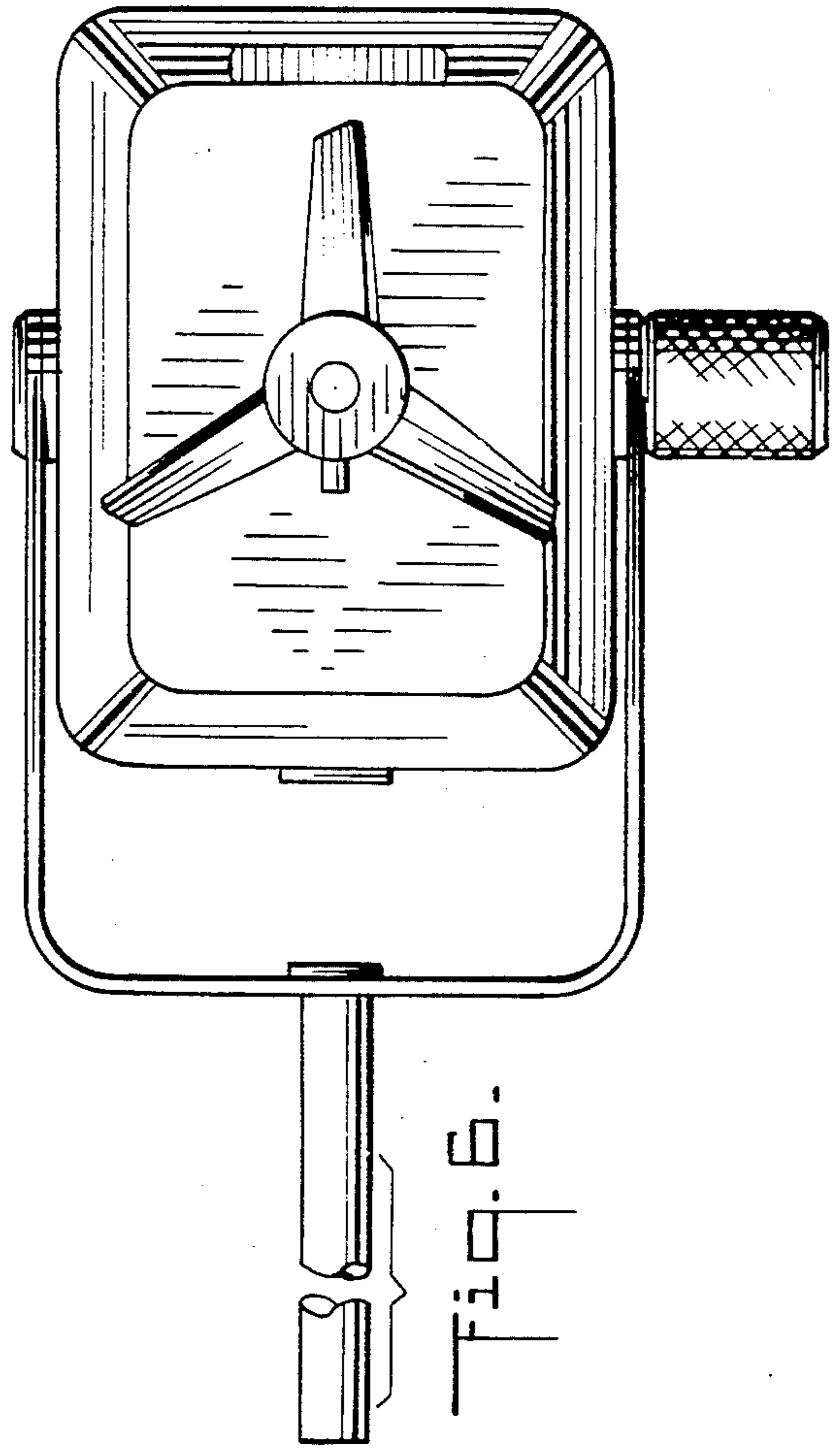


Fig. 6.