

[54] SHOWER HANDLE SET

[75] Inventor: Holly K. Yost, Studio City, Calif.

[73] Assignee: Price Pfister, Inc., Pacoima, Calif.

[\*\*] Term: 14 Years

[21] Appl. No.: 627,152

[22] Filed: Jul. 2, 1984

Related U.S. Application Data

[63] Continuation-in-part of Ser. No. 587,620, Mar., 1984, Pat. No. Des. 285,106.

[52] U.S. Cl. .... D23/29

[58] Field of Search ..... D23/23-32

References Cited

U.S. PATENT DOCUMENTS

D. 76,560	10/1928	Smith	.....	D23/25
D. 77,022	11/1928	Mueller	.....	D23/24
D. 96,839	9/1935	Johnston	.....	D23/24
D. 234,953	4/1975	Martin	.....	D23/28
D. 235,098	5/1975	Doman	.....	D23/29
D. 258,836	4/1981	Saporito et al.	.....	D23/26
D. 263,990	4/1982	Fleischmann et al.	.....	D23/31
D. 265,580	7/1982	Paul	.....	D23/25
D. 273,128	3/1984	Roddiek	.....	D23/29
1,700,207	1/1929	Mueller	.....	D23/29 X
4,349,940	9/1982	Fleischmann et al.	.....	D23/28 X

OTHER PUBLICATIONS

Domestic Engineering, Jan. 1982, p. 33, top left and bottom right items.

Domestic Engineering, Jan. 1983, p. 25, bottom center item.

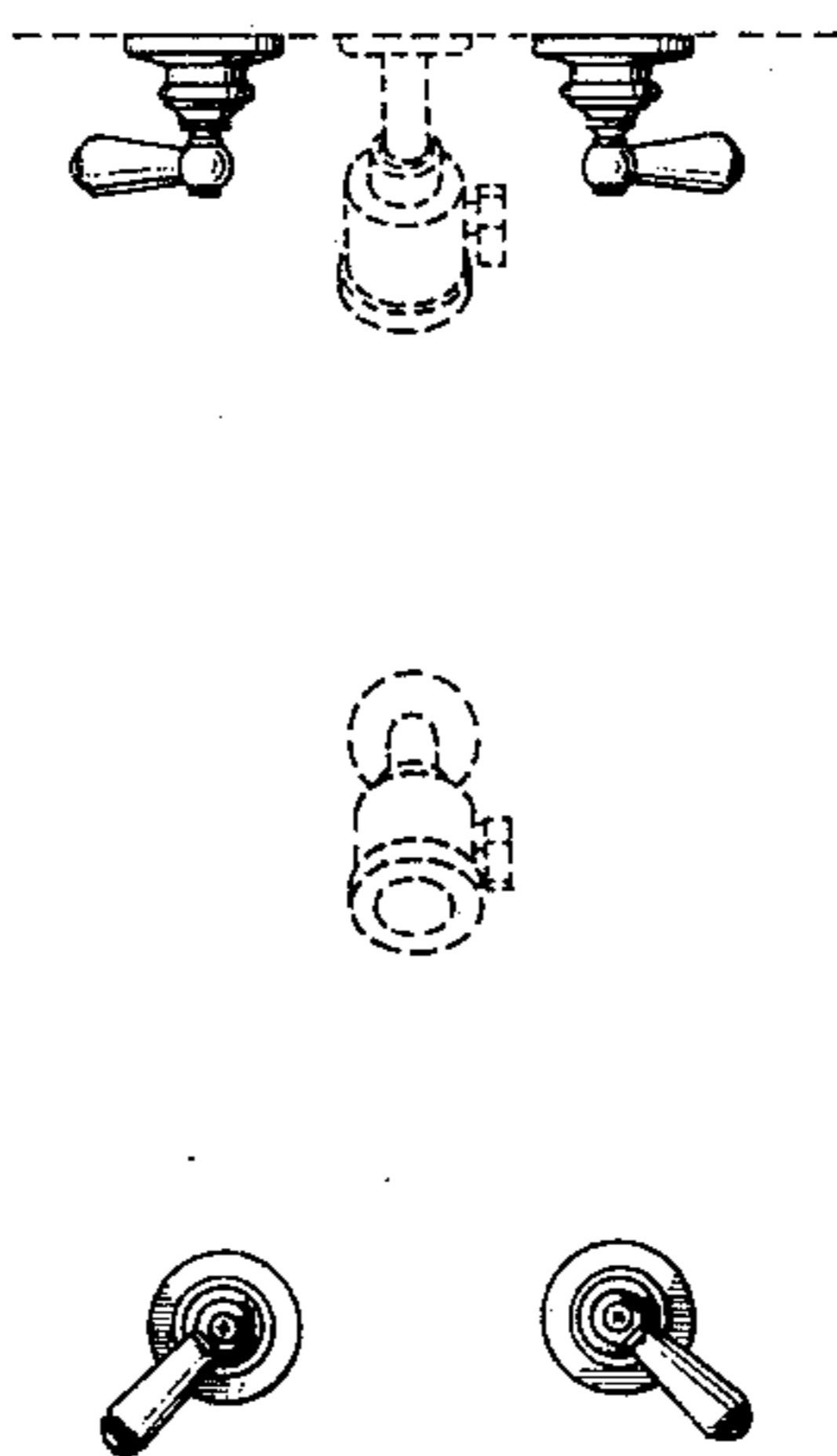
Primary Examiner—James R. Largen  
Attorney, Agent, or Firm—Blakely, Sokoloff, Taylor & Zafman

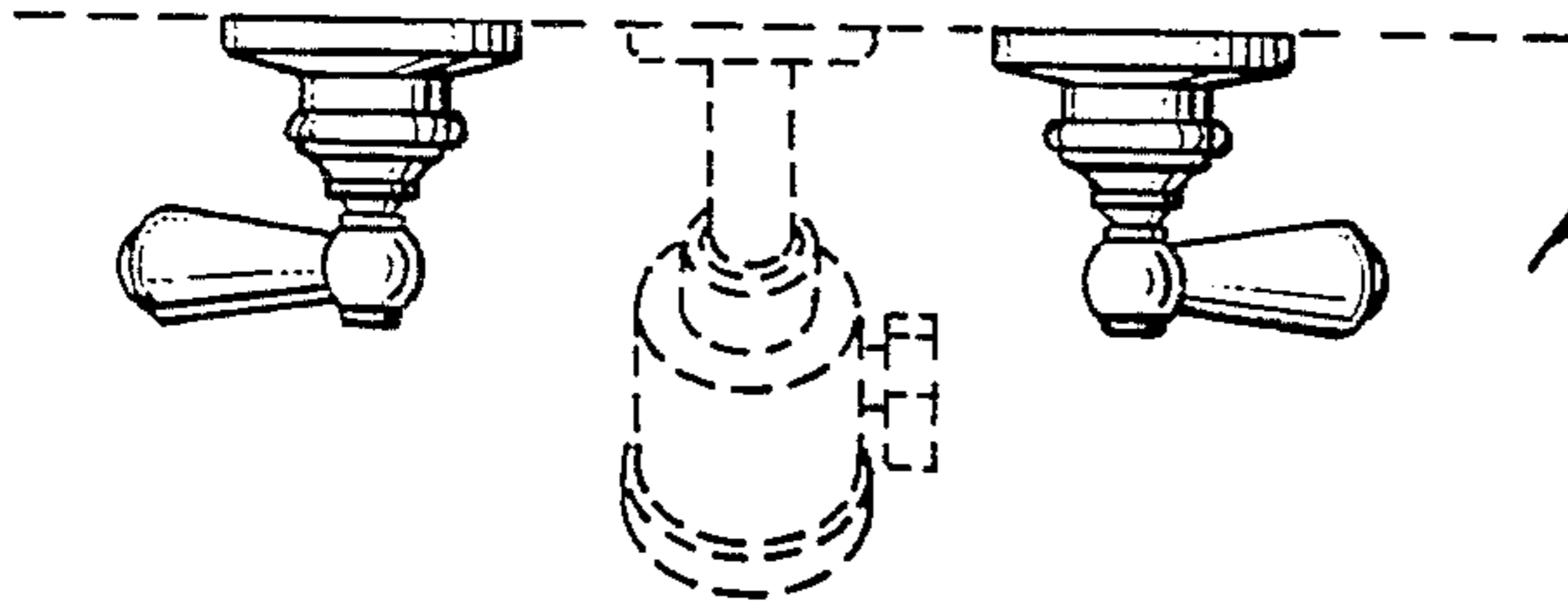
CLAIM

[57] The ornamental design for shower handle set, substantially as shown and described.

DESCRIPTION

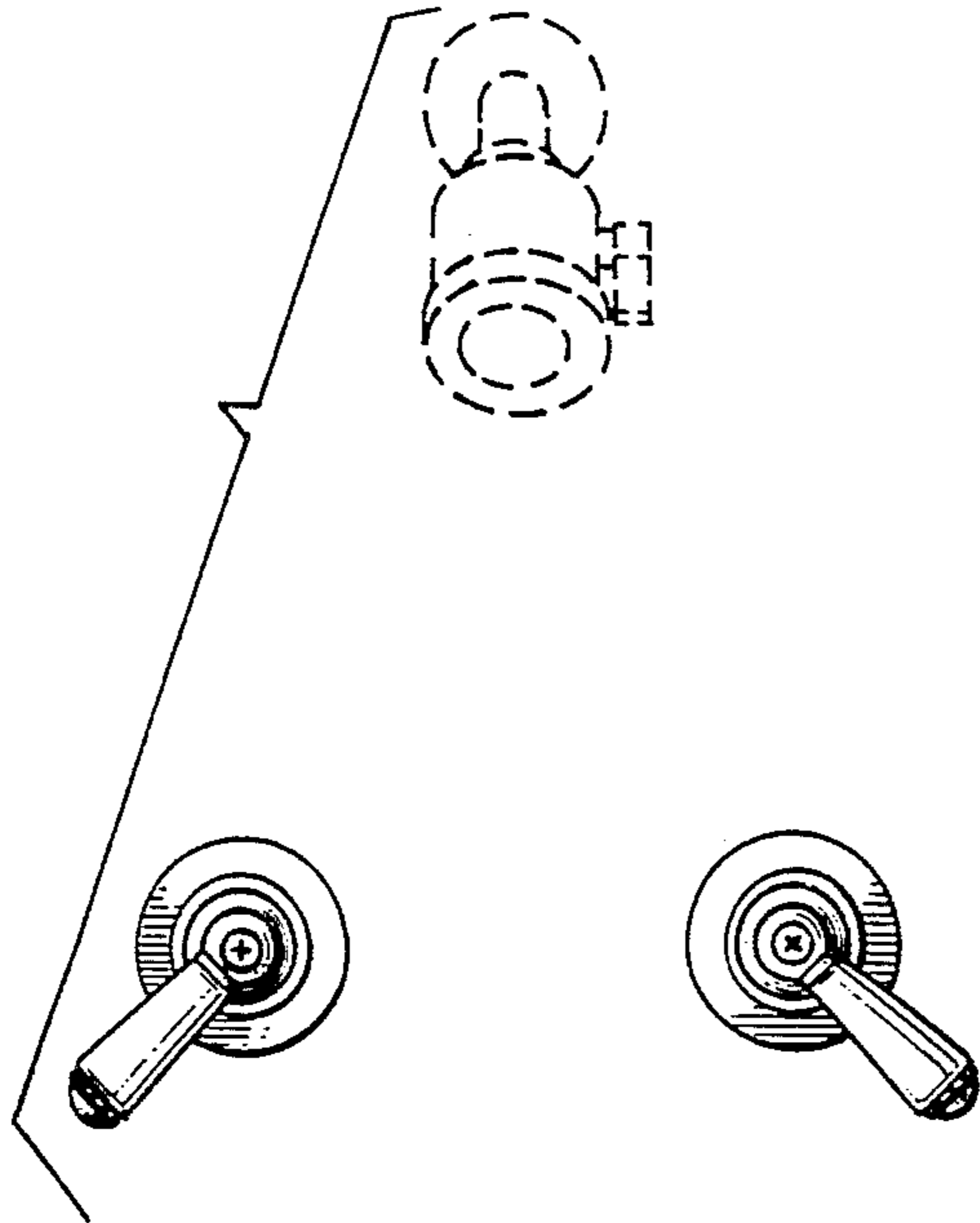
FIG. 1 is a top plan view of a shower handle set showing my new design;  
FIG. 2 is a front elevational view thereof;  
FIG. 3 is a right side elevational view thereof, the left side being a mirror image of the right side shown;  
FIG. 4 is a bottom plan view thereof;  
FIG. 5 is a front elevational view of a modified form of the shower handle set shown in FIG. 1;  
FIG. 6 is a front elevational view of a second modified form of the shower handle set shown in FIG. 1; and  
FIG. 7 is a front elevational view of a third modified form of the shower handle set shown in FIG. 1.



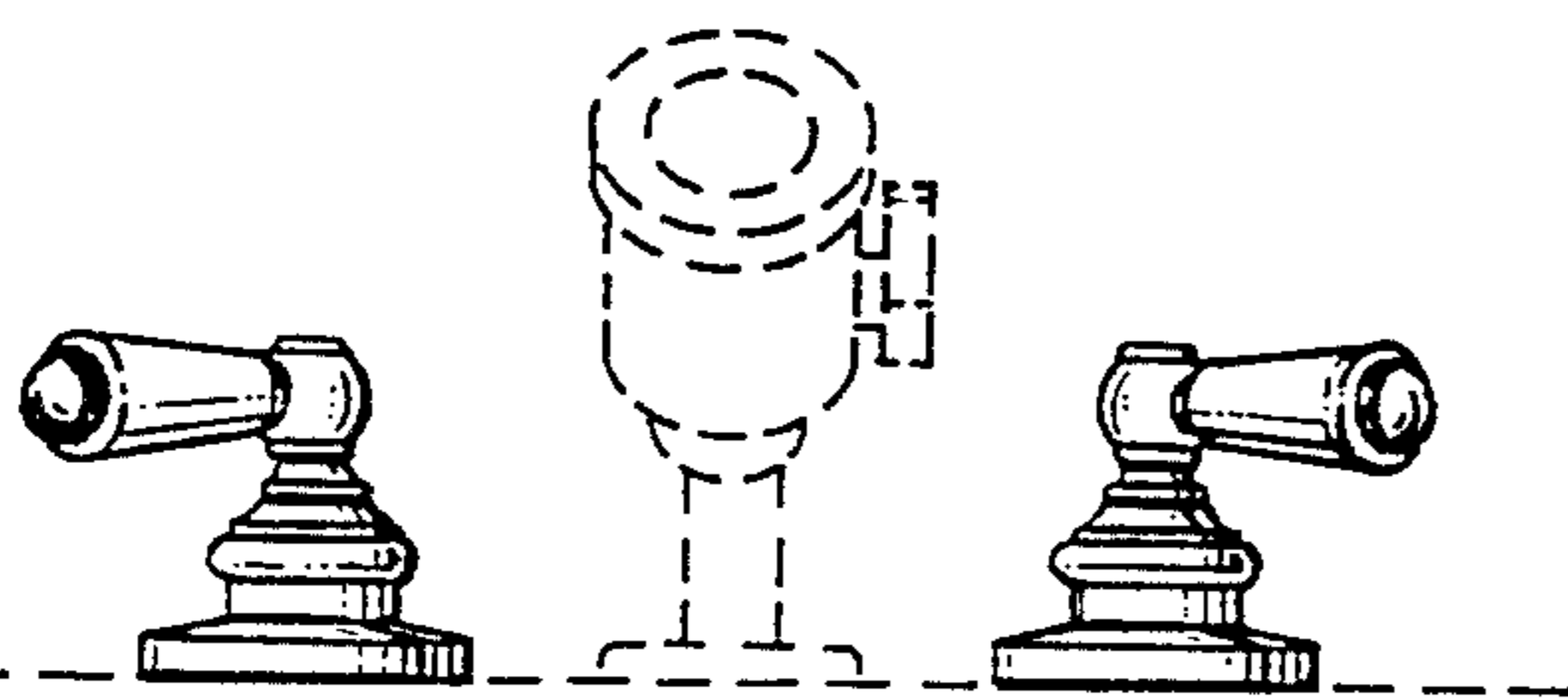
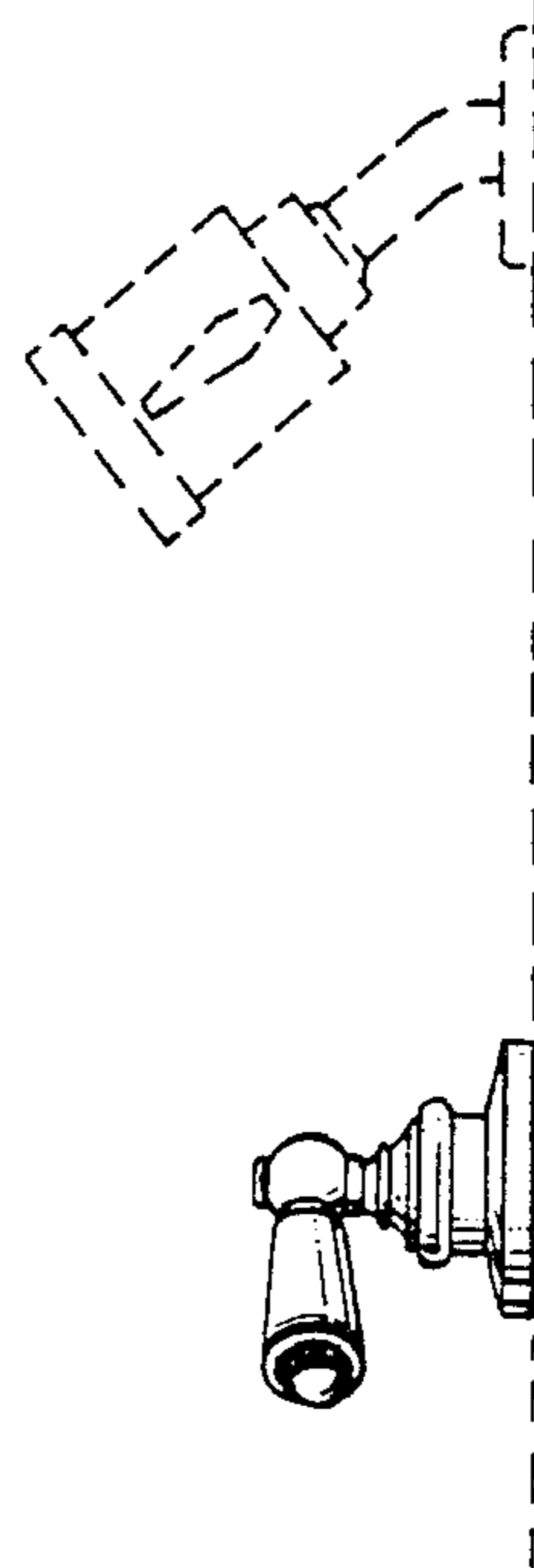


*Fig. 1.*

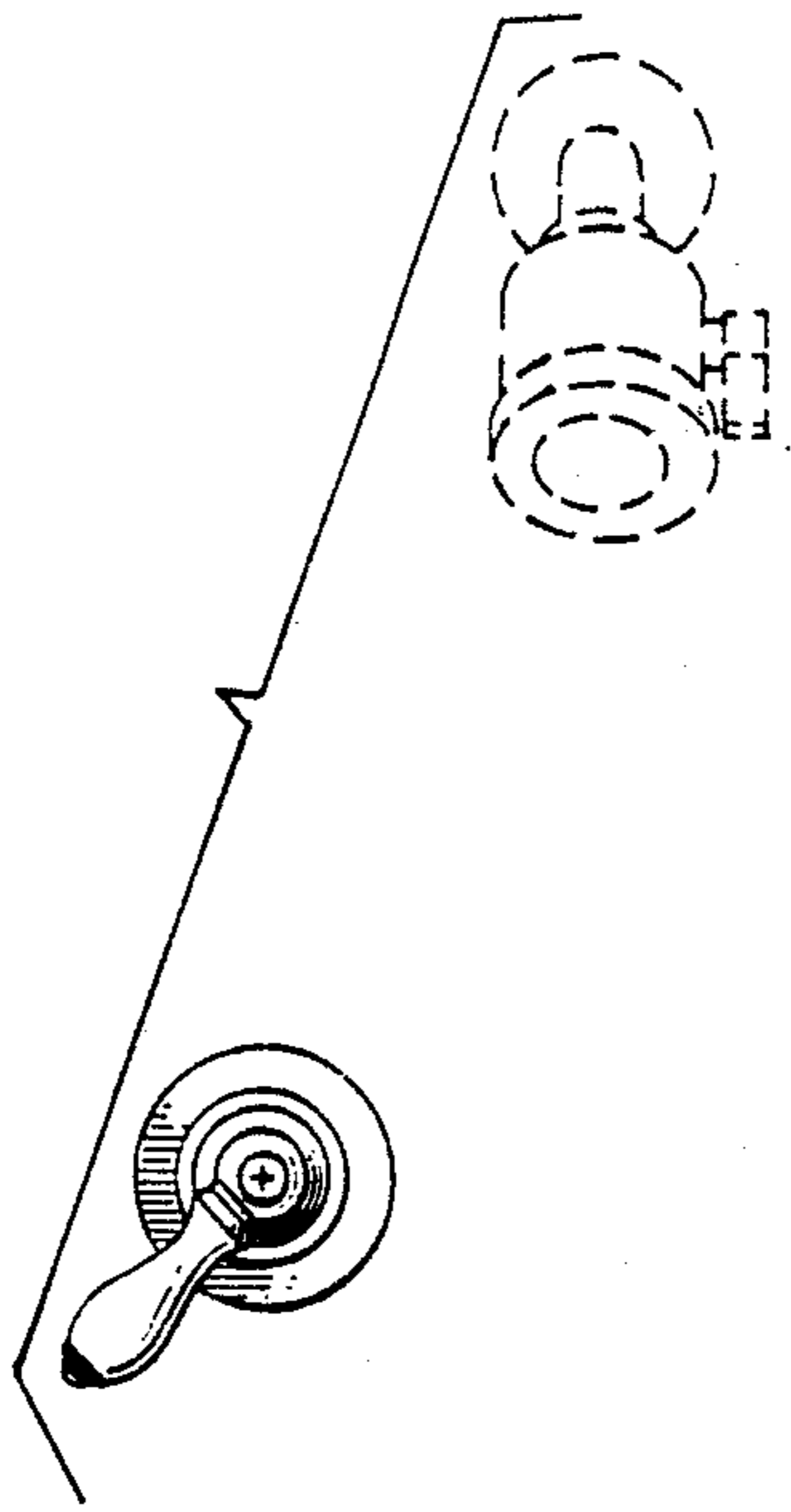
*Fig. 2.*



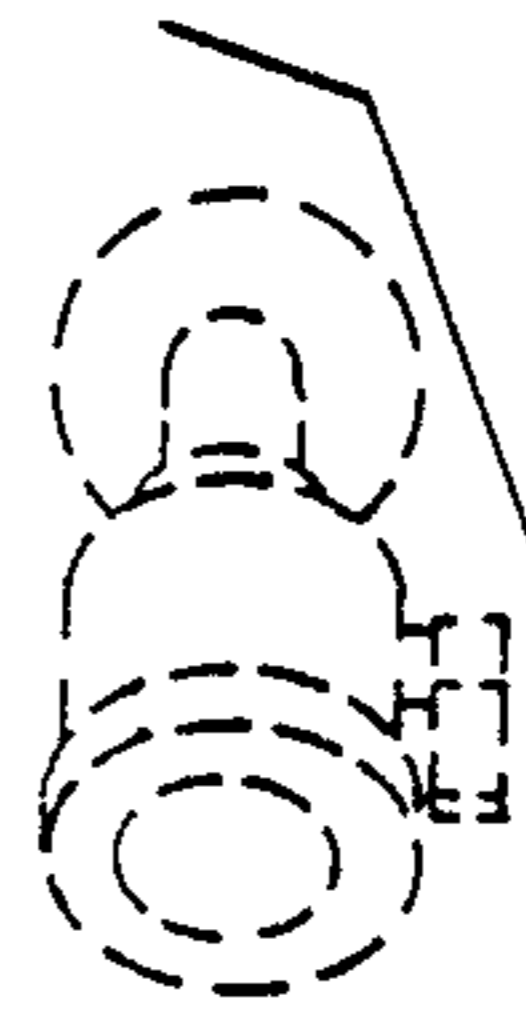
*Fig. 3.*



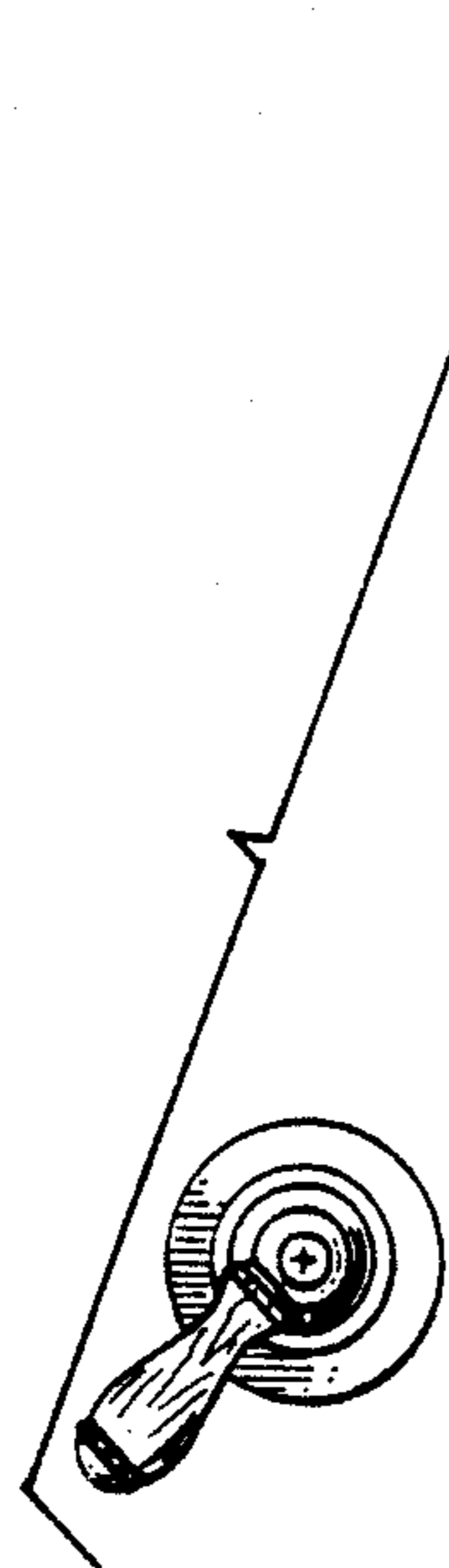
*Fig. 4.*



*Fig. 5.*



*Fig. 6.*



*Fig. 7.*

