

[54] BATHROOM FAUCET SET

[56]

References Cited

U.S. PATENT DOCUMENTS

[76] Inventor: Gerhard E. Joerger,  
Hans-Thoma-Strasse 89-99, 6800  
Mannheim 25, Fed. Rep. of Germany

D. 201,122	5/1965	Espalette	.....	D8/310
D. 249,155	8/1978	Doman	.....	D23/28
D. 273,512	4/1984	Arnolds	.....	D23/25
D. 284,992	8/1986	Jociger	.....	D23/25

[\*\*] Term: 14 Years

Primary Examiner—James R. Largen  
Attorney, Agent, or Firm—Jordan and Hamburg

[21] Appl. No.: 764,901

[57] CLAIM

The ornamental design for a bathroom faucet set, substantially as shown and described.

[22] Filed: Aug. 12, 1985

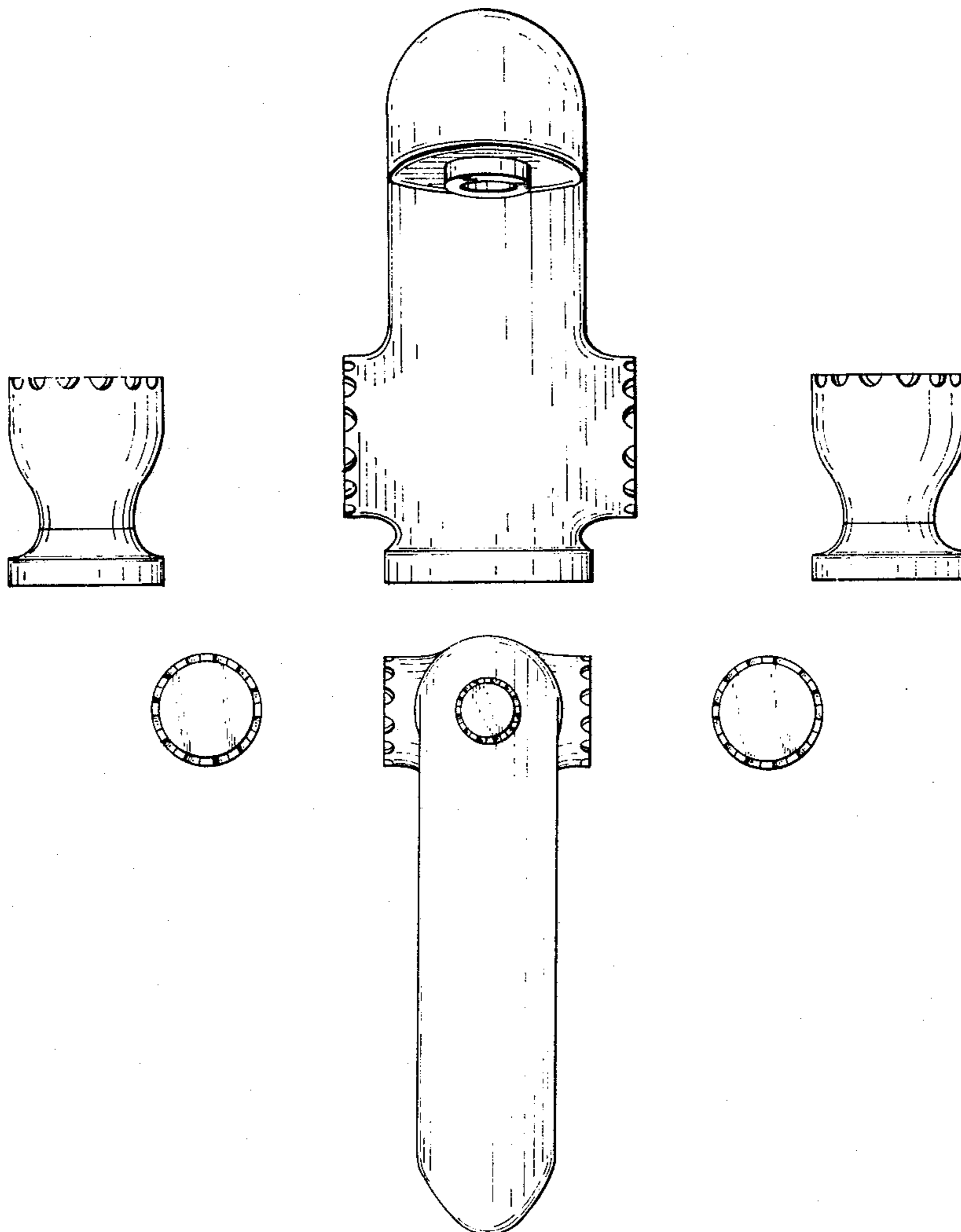
DESCRIPTION

[30] Foreign Application Priority Data

Mar. 8, 1985 [DE] Fed. Rep. of Germany ... MRV/1297  
Mar. 15, 1985 [DE] Fed. Rep. of Germany .... MRV/1298

FIG. 1 is a front elevational view of a bathroom faucet set showing my new design;  
FIG. 2 is a top plan view thereof;  
FIG. 3 is a bottom plan view thereof;  
FIG. 4 is a rear elevational view thereof; and  
FIG. 5 is a left side elevational view of the spout portion thereof, the right side being a mirror image of the left side shown.

[52] U.S. Cl. .... D23/25; D8/312  
[58] Field of Search ..... D23/23-32;  
4/191, 192; 137/801



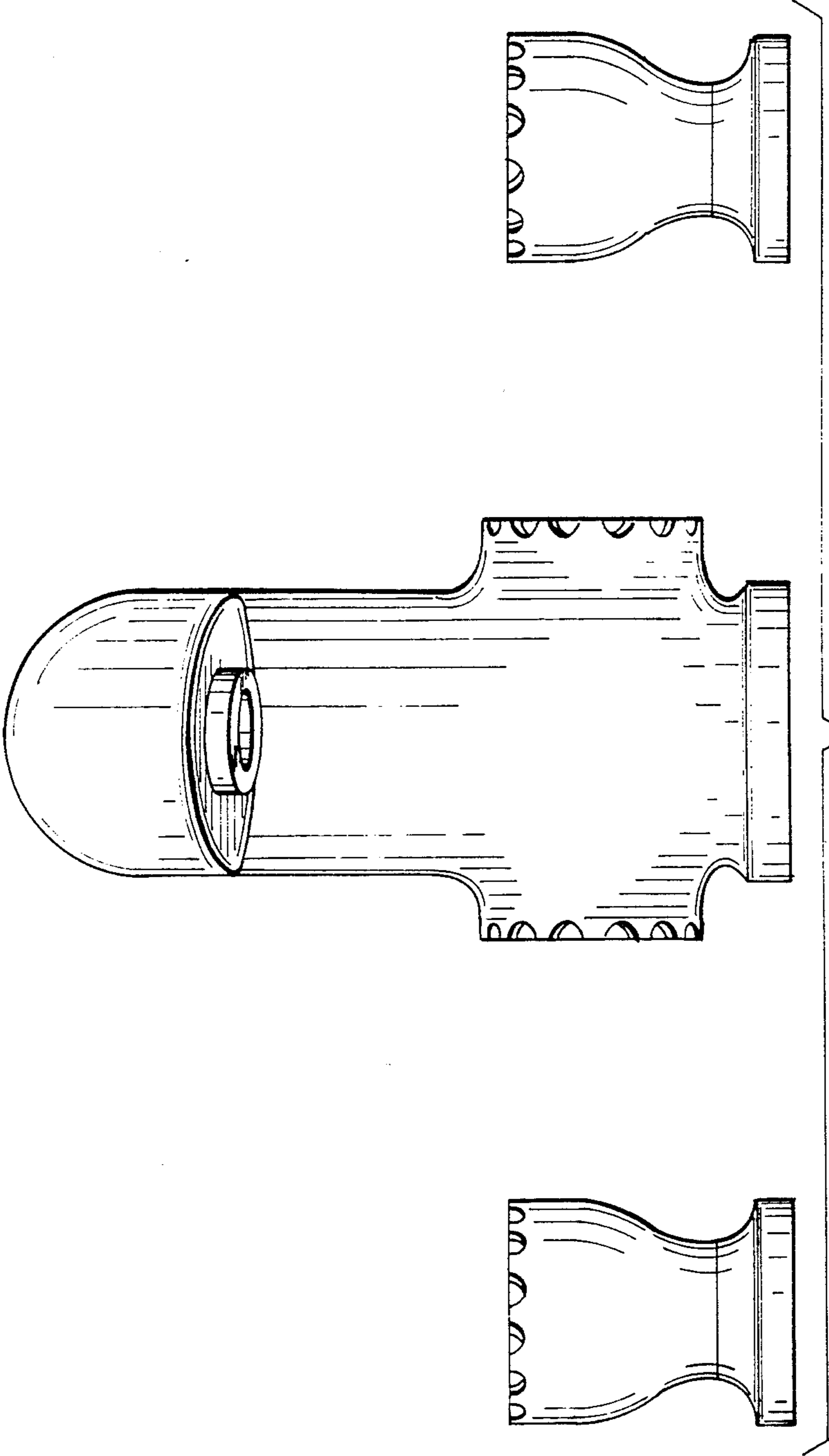


FIG. 1

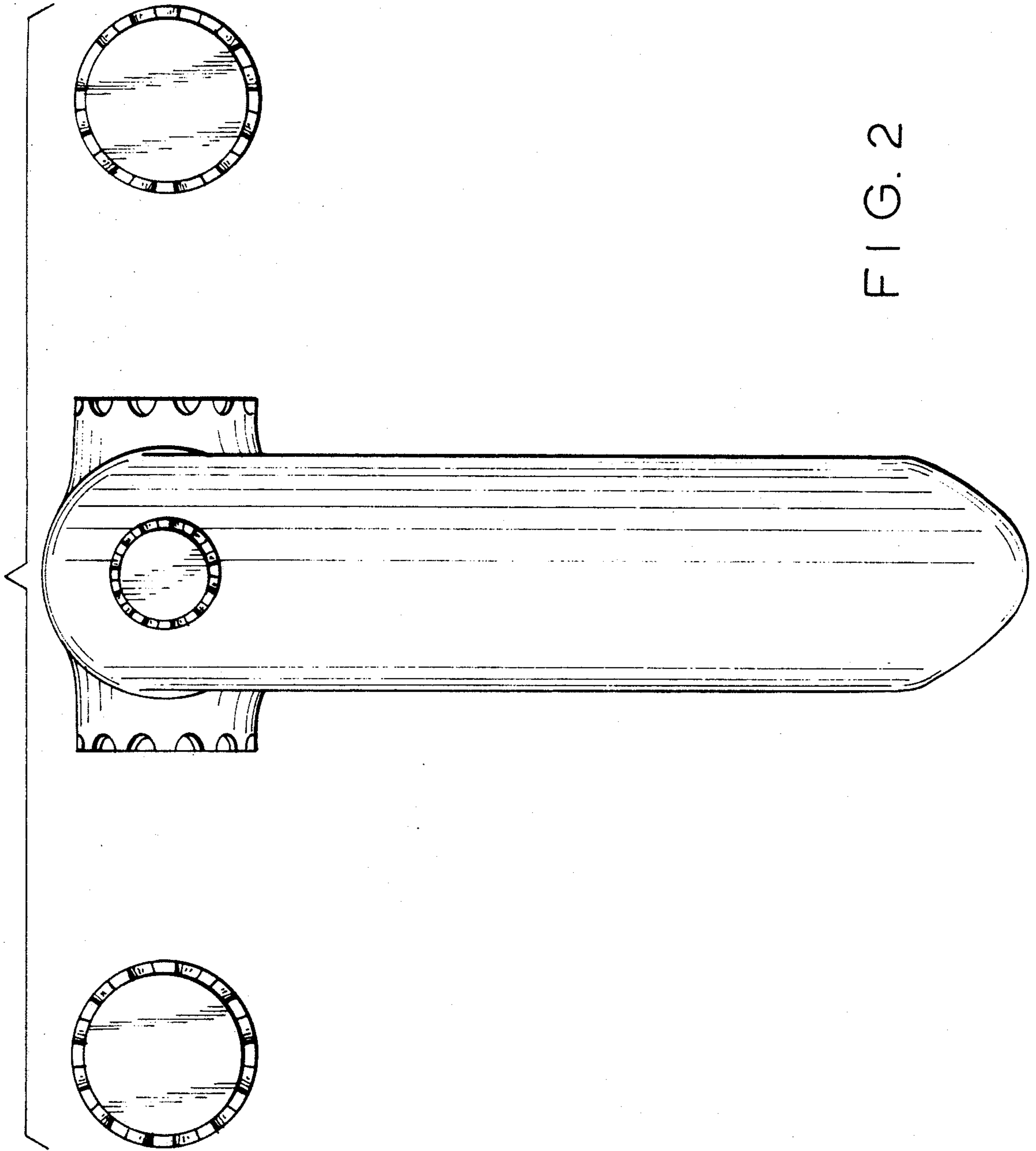


FIG. 2

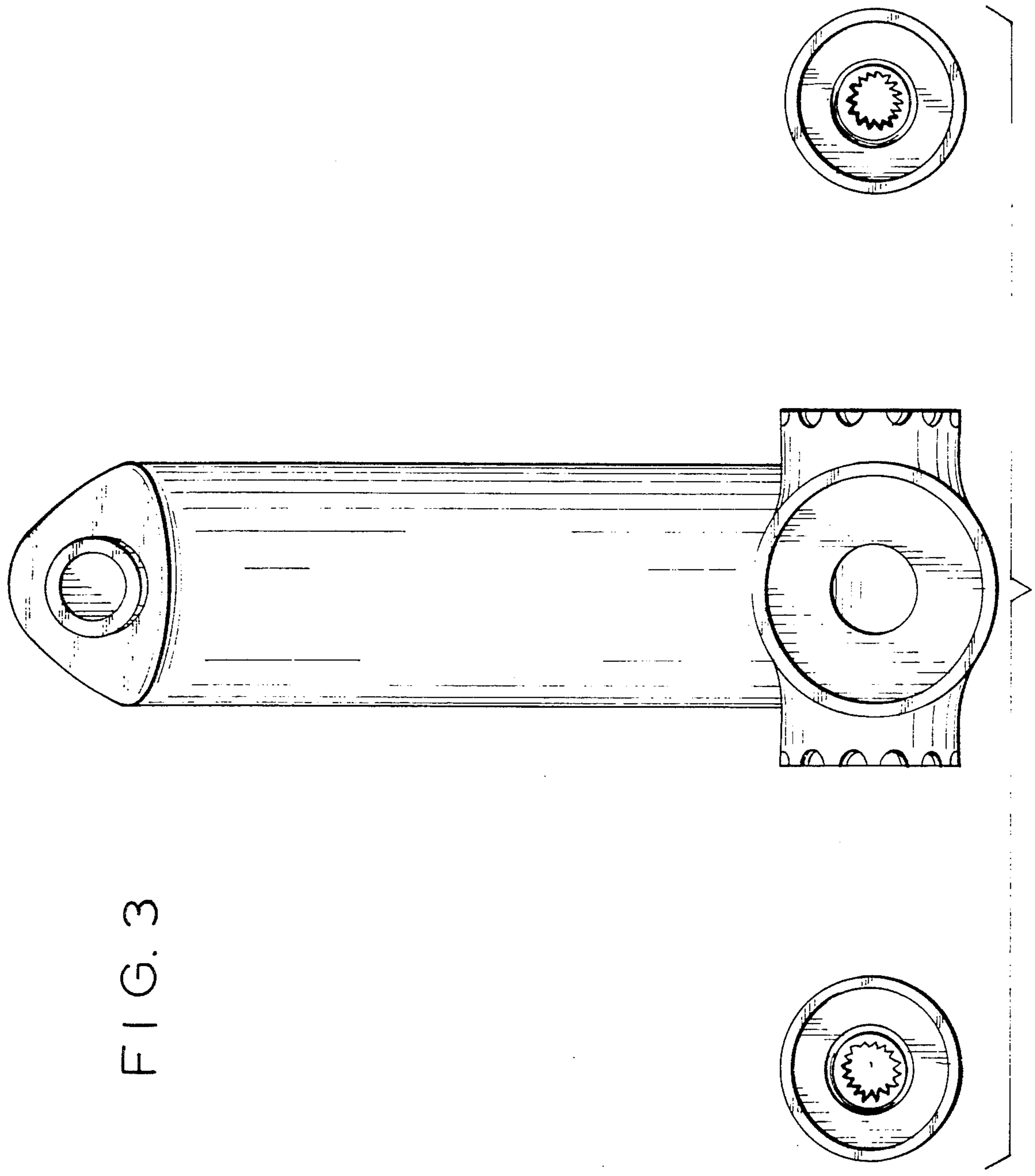


FIG. 3

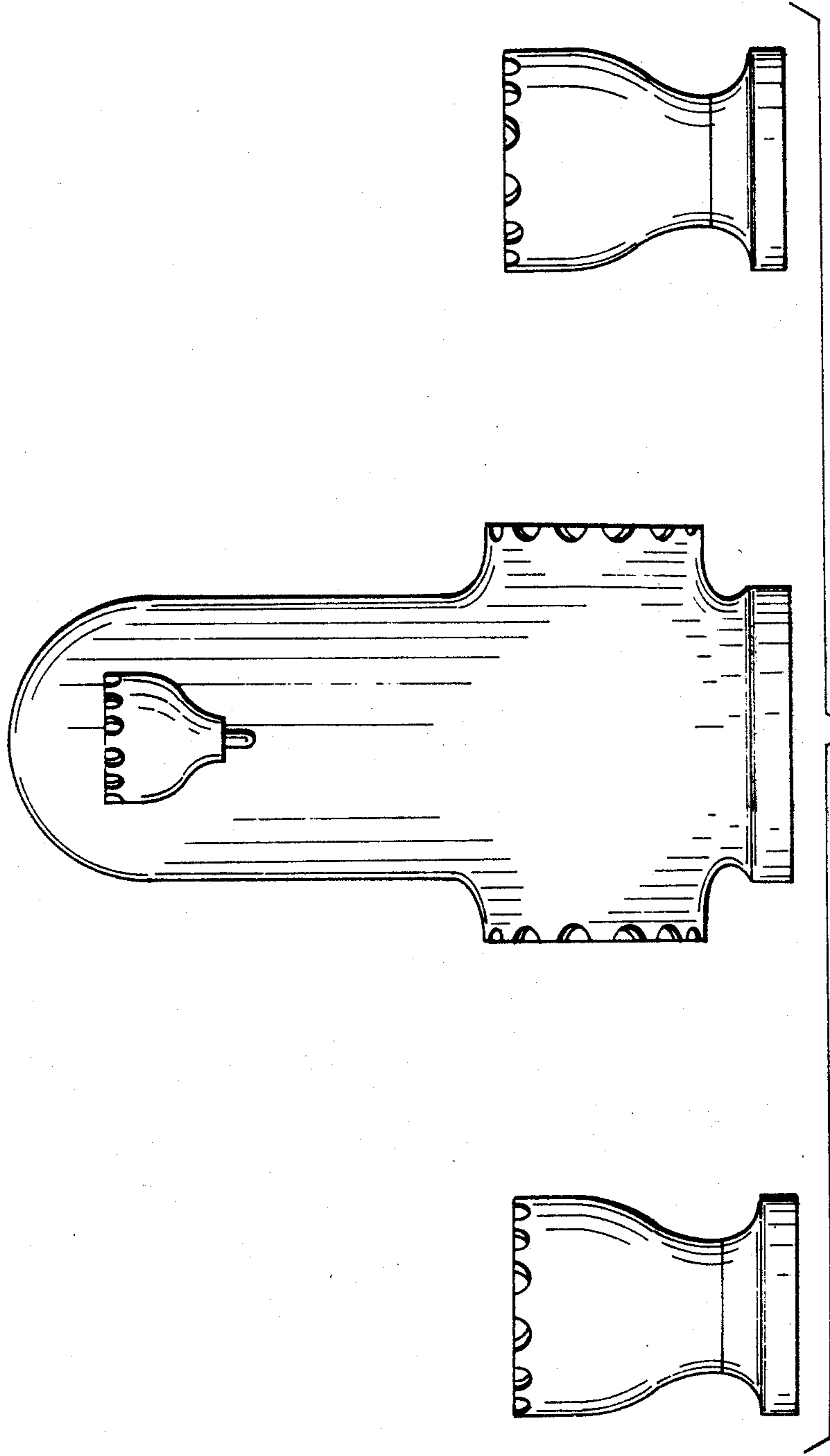


FIG. 4

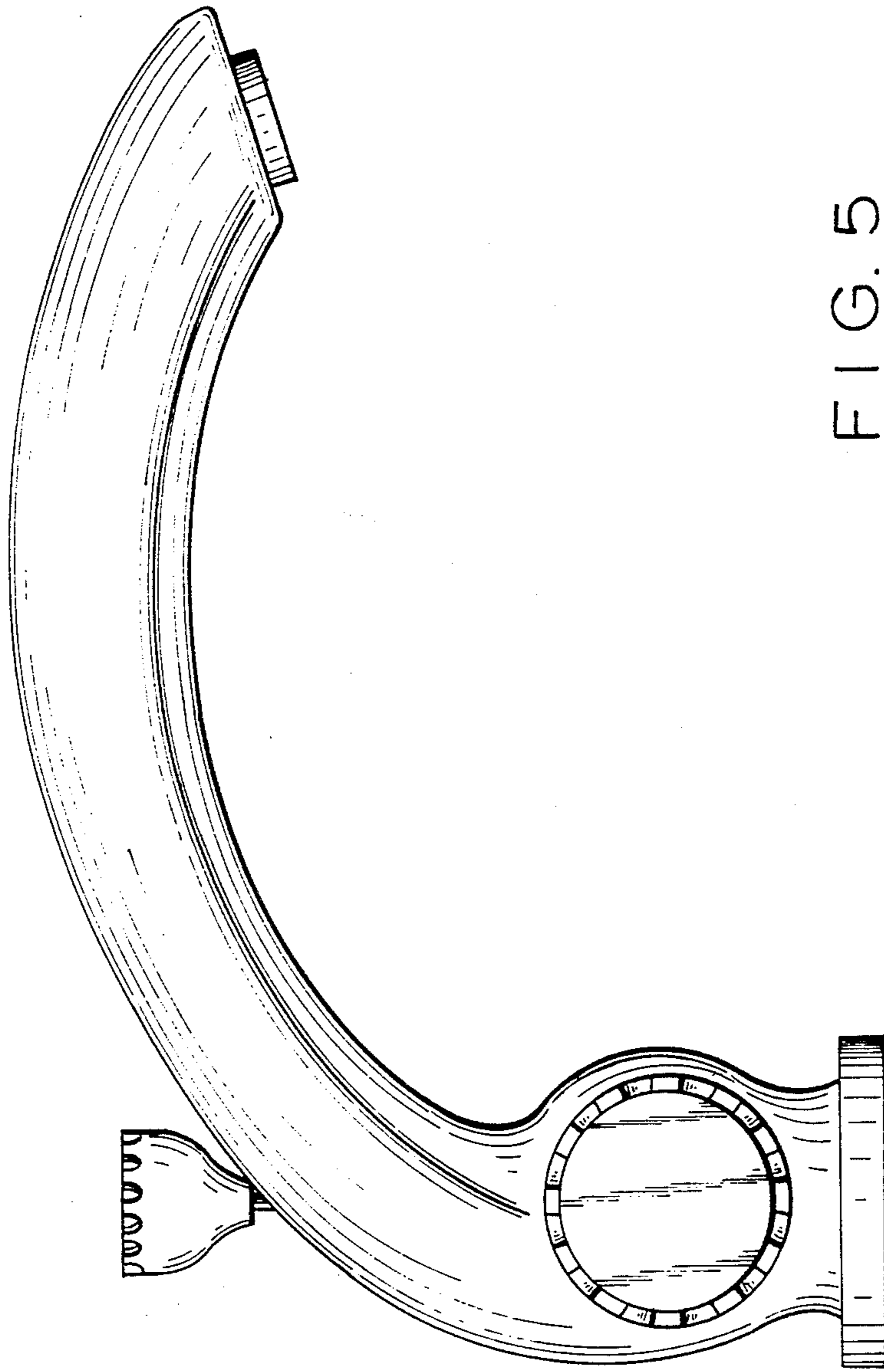


FIG. 5