

[54] **HUNTING KNIFE**

[76] **Inventor:** Carl-Gustav Sjöqvist, Klostergatan
10, S-552 56 Jönköping, Sweden

[**] **Term:** 14 Years

[21] **Appl. No.:** 659,636

[22] **Filed:** Oct. 11, 1984

[30] **Foreign Application Priority Data**

Apr. 16, 1984 [SE] Sweden 84-1267
[52] **U.S. Cl.** **D22/118; D7/151**
[58] **Field of Search** D22/118; 30/164.5, 340,
30/343, 344, 151, 329, 337, 335; D8/93, 99, 101,
107

[56] **References Cited**

U.S. PATENT DOCUMENTS

D. 262,731 1/1982 Austin D22/118
4,546,510 10/1985 Harrison 30/151

FOREIGN PATENT DOCUMENTS

1264288 3/1968 Fed. Rep. of Germany 30/151

OTHER PUBLICATIONS

Martor Argentax Co. Brochure, Edition 1977, Model
97635 Marto-Fadex.

Primary Examiner—James M. Gandy
Assistant Examiner—Kay H. Chin
Attorney, Agent, or Firm—Hayes, Davis & Soloway

[57] **CLAIM**

The ornamental design for a hunting knife, as shown
and described.

DESCRIPTION

FIG. 1 is a perspective view of a hunting knife showing
my new design;
FIG. 2 is a side elevation view thereof, the opposite side
being a mirror image of that shown;
FIG. 3 is a bottom plan view thereof; and
FIG. 4 is a front elevation view thereof.

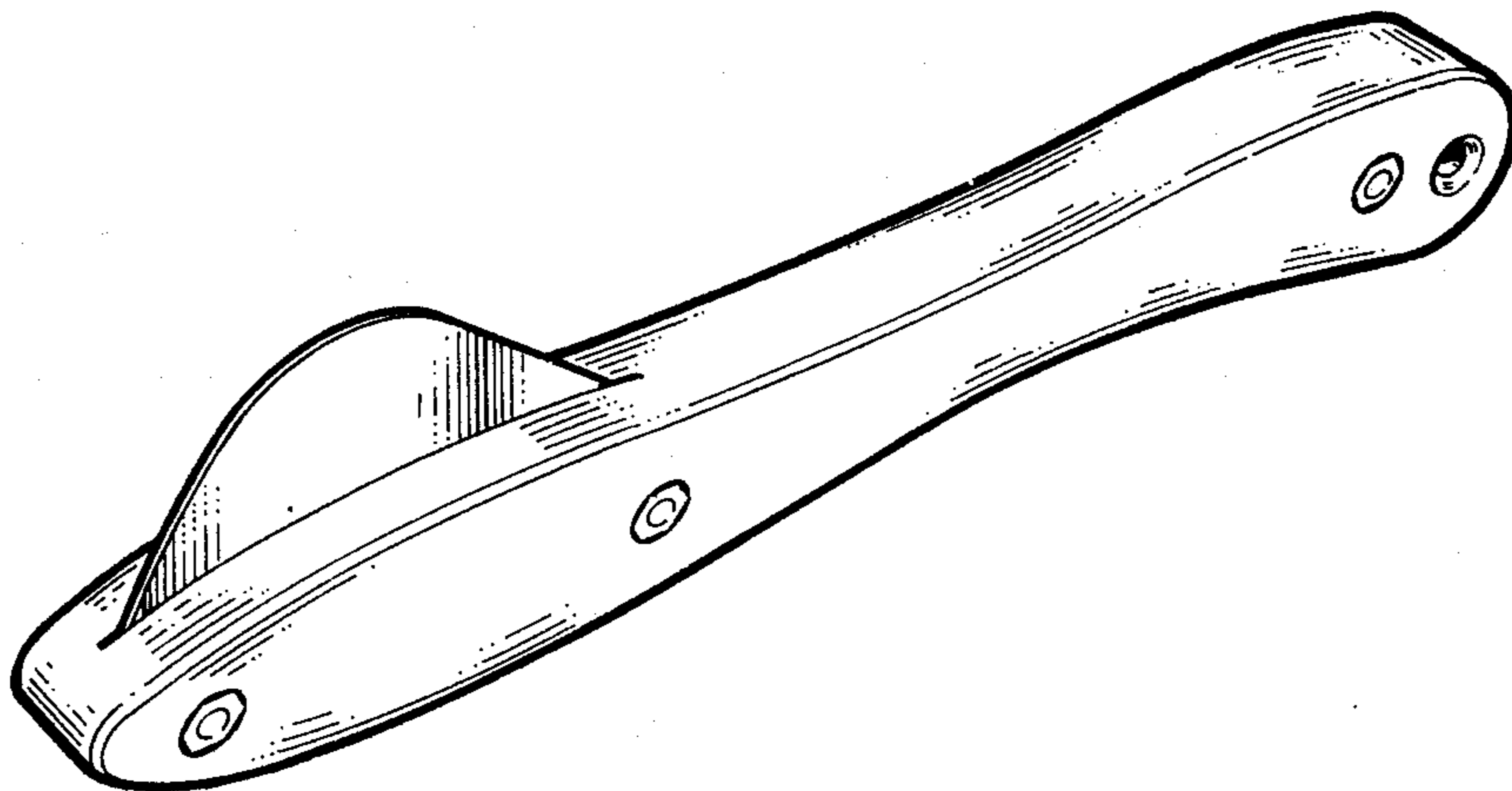


FIG. 1

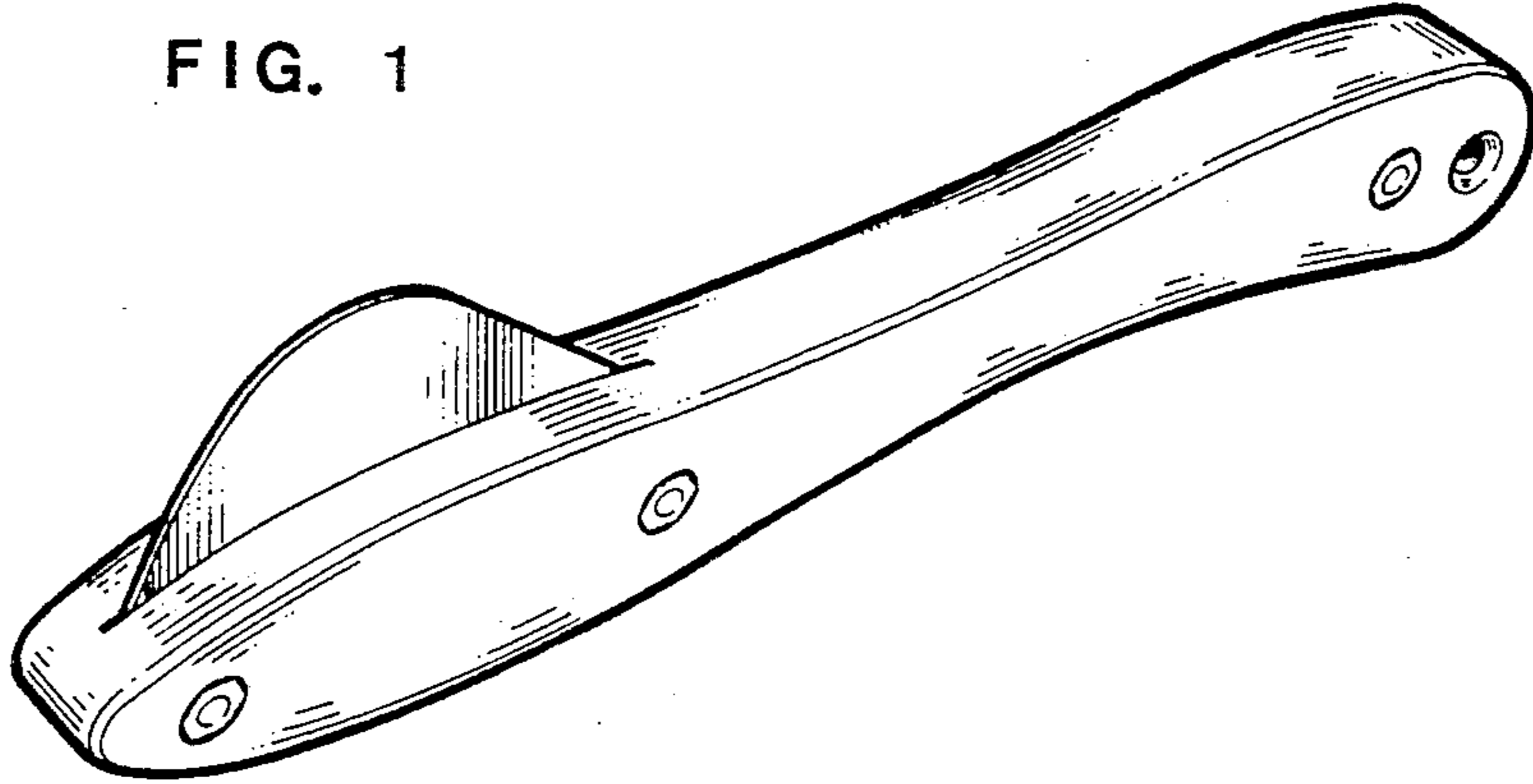


FIG. 2



FIG. 3

FIG. 4

