

[54] VEHICLE TOP SIGN CARRIER

[76] Inventor: Rickie W. Anderson, 2453 Garapan, Houston, Tex. 77091

[**] Term: 14 Years

[21] Appl. No.: 766,577

[22] Filed: Aug. 19, 1985

[52] U.S. Cl. D20/10

[58] Field of Search D20/10, 43; 40/591, 40/592, 593; 116/28 R

[56] References Cited

U.S. PATENT DOCUMENTS

- D. 240,469 7/1976 Bissell D20/10
- 2,076,530 4/1937 Eastman 40/591

- 2,888,763 6/1959 Roycroft, Jr. 40/592
- 3,392,467 7/1968 Hawes 40/592
- 3,525,461 8/1970 Bronson 40/592 X
- 3,924,344 12/1975 Davis 40/592

FOREIGN PATENT DOCUMENTS

- 2249497 4/1974 Fed. Rep. of Germany 40/592

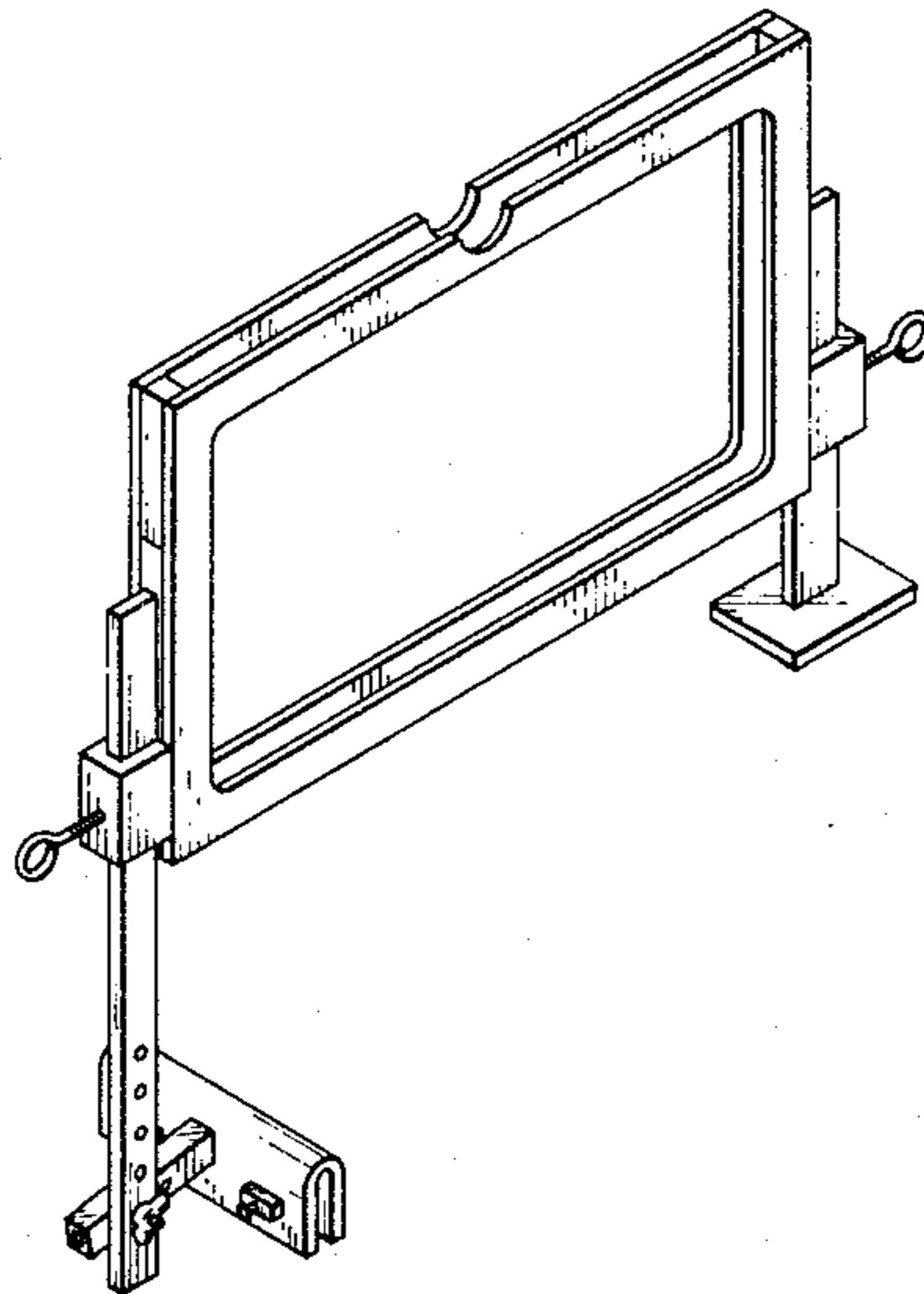
Primary Examiner—Catherine E. Kemper
Attorney, Agent, or Firm—Michael P. Breston

[57] CLAIM

The ornamental design for a vehicle top sign carrier, substantially as shown.

DESCRIPTION

FIG. 1 is a top-front elevational view showing my new design; and
FIG. 2 is a bottom-rear elevational view thereof.



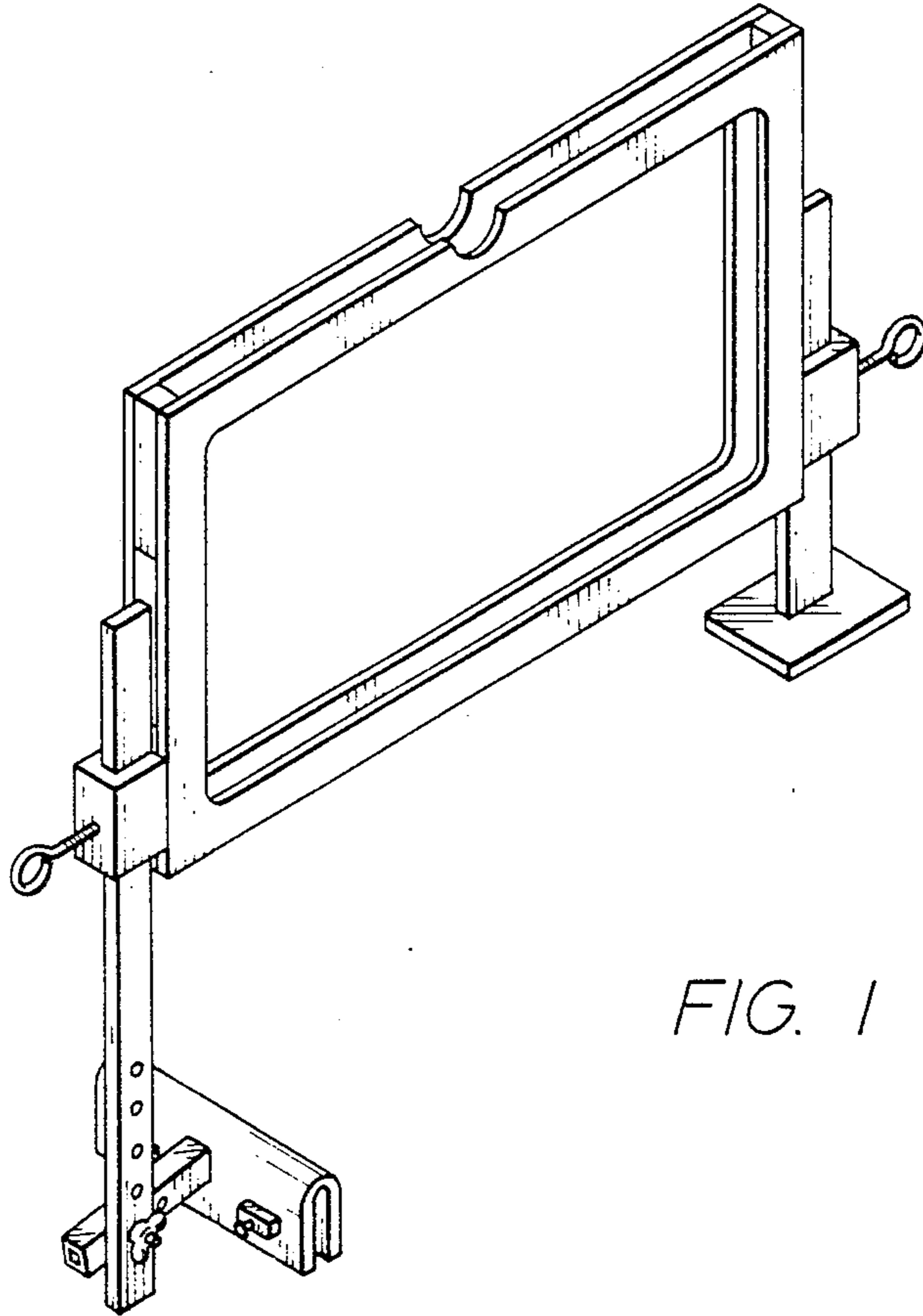


FIG. 1

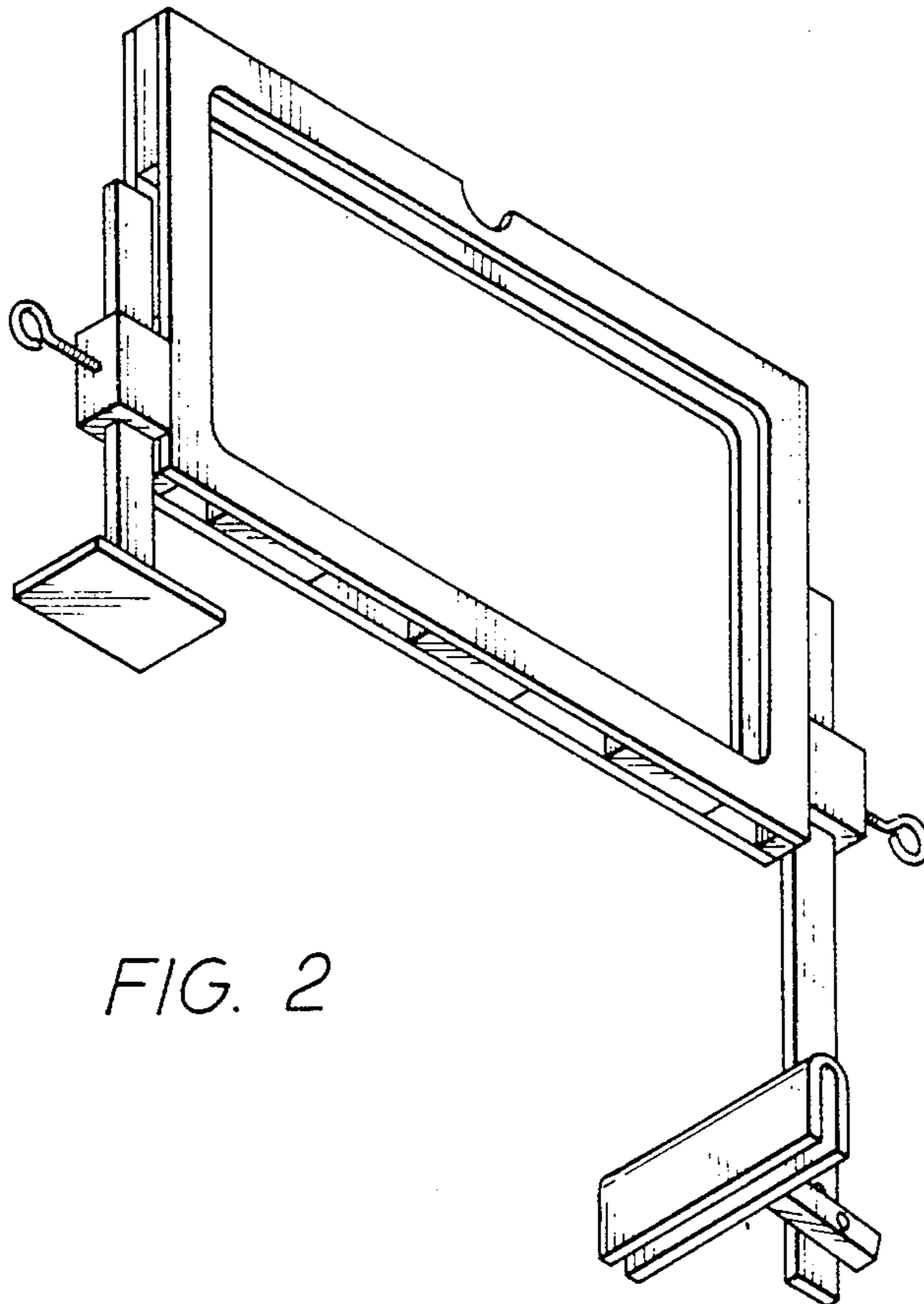


FIG. 2