

[54] SCROLL SAW

[75] Inventors: Curtis J. Eccardt, County of St. Charles; Richard B. Brundage, St. Louis, both of Mo.

[73] Assignee: Emerson Electric Co., St. Louis, Mo.

[\*\*] Term: 14 Years

[21] Appl. No.: 640,398

[22] Filed: Aug. 13, 1984

[52] U.S. Cl. .... D15/133

[58] Field of Search ..... D15/127, 133; 83/782, 83/783, 786

[56] References Cited

U.S. PATENT DOCUMENTS

D. 85,847	12/1931	Tautz	.....	D15/133
D. 94,788	3/1935	Tautz	.....	D15/133
D. 173,891	1/1955	Beale et al.	.....	D15/133
D. 174,116	3/1955	Dremel	.....	D15/133

2,692,622	10/1954	Helse	.....	83/786
2,721,587	10/1955	Dremel	.....	83/782
4,455,909	6/1984	Wilbs	.....	83/783

Primary Examiner—B. J. Bullock  
Attorney, Agent, or Firm—Polster, Polster and Lucchesi

[57] CLAIM

The ornamental design for scroll saw, as shown and described.

DESCRIPTION

FIG. 1 is a perspective view of a scroll saw, showing our new design;  
FIG. 2 is a left side elevational view thereof;  
FIG. 3 is a right side elevational view thereof;  
FIG. 4 is a top plan view thereof;  
FIG. 5 is a front elevational view thereof;  
FIG. 6 is a rear elevational view thereof;  
FIG. 7 is a bottom plan view thereof;  
The views while shown on a variety of scales for clarity are intended to represent a single design.

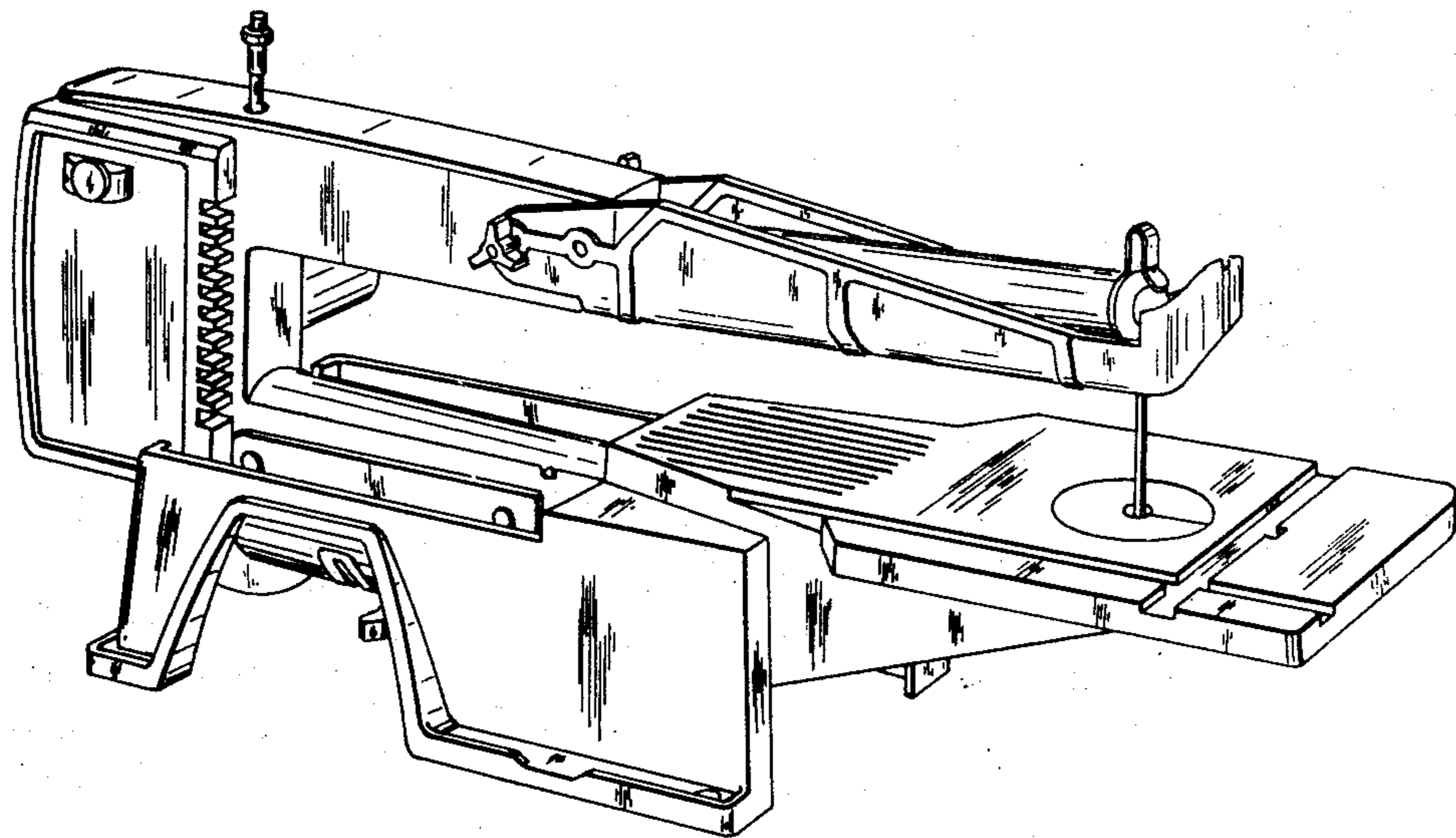


FIG. 1

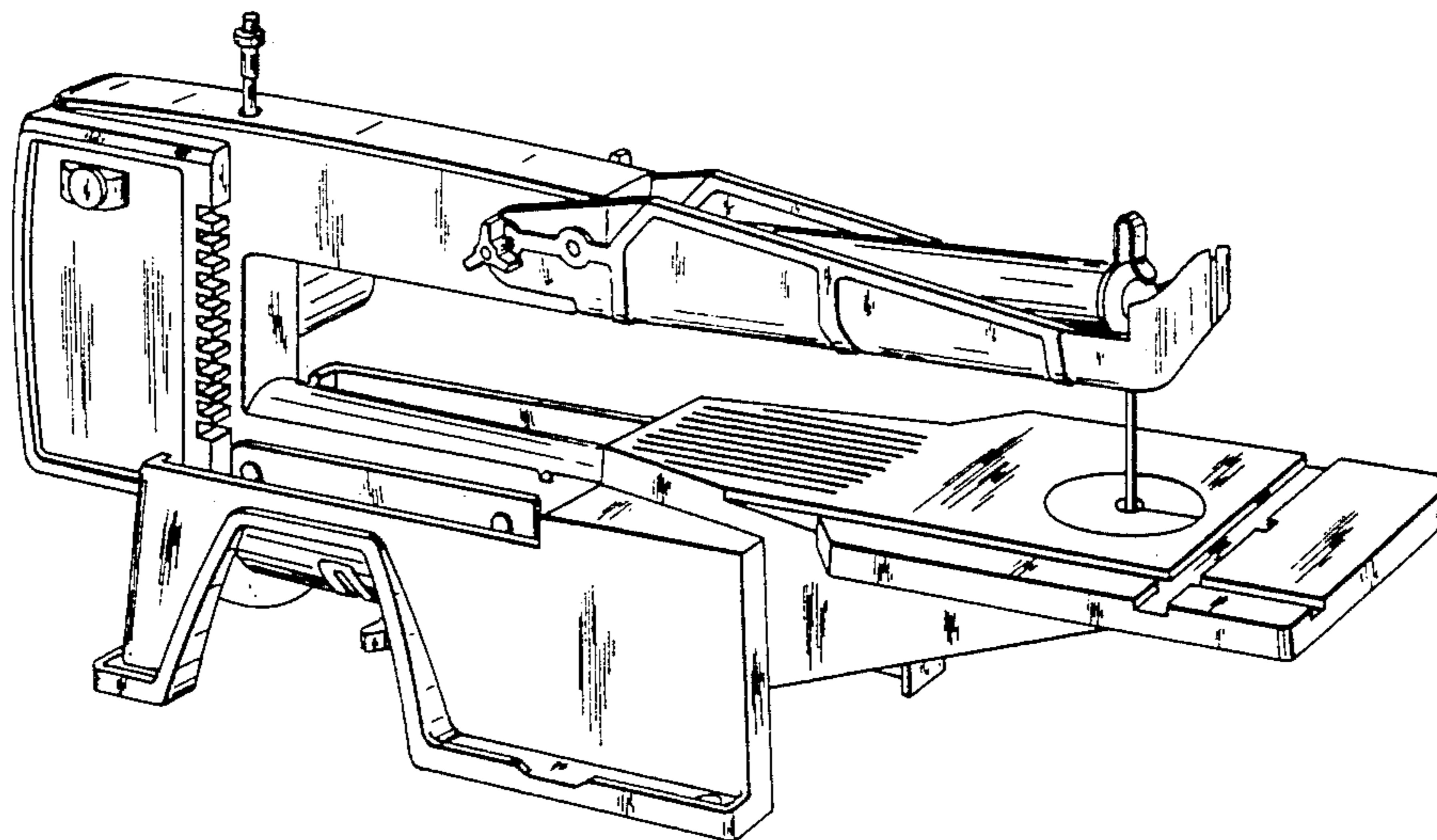


FIG. 2

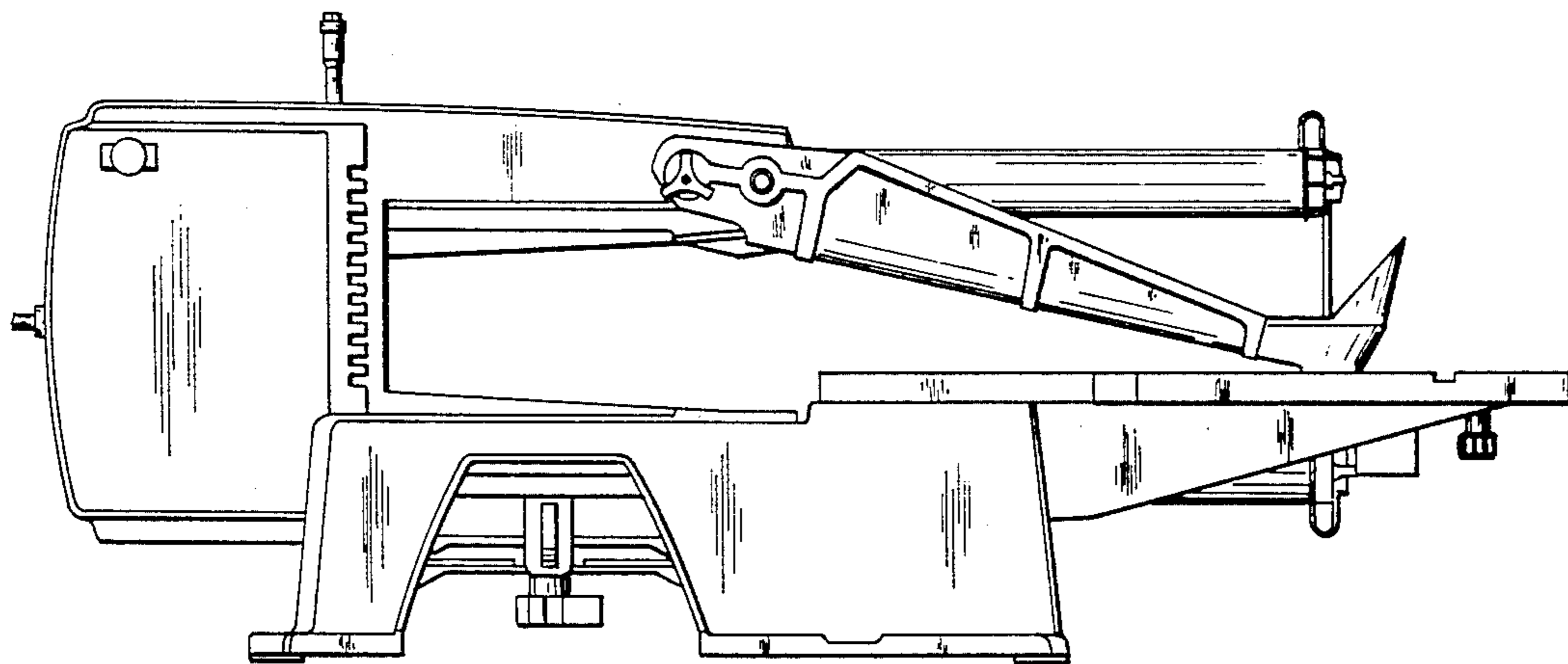


FIG. 3

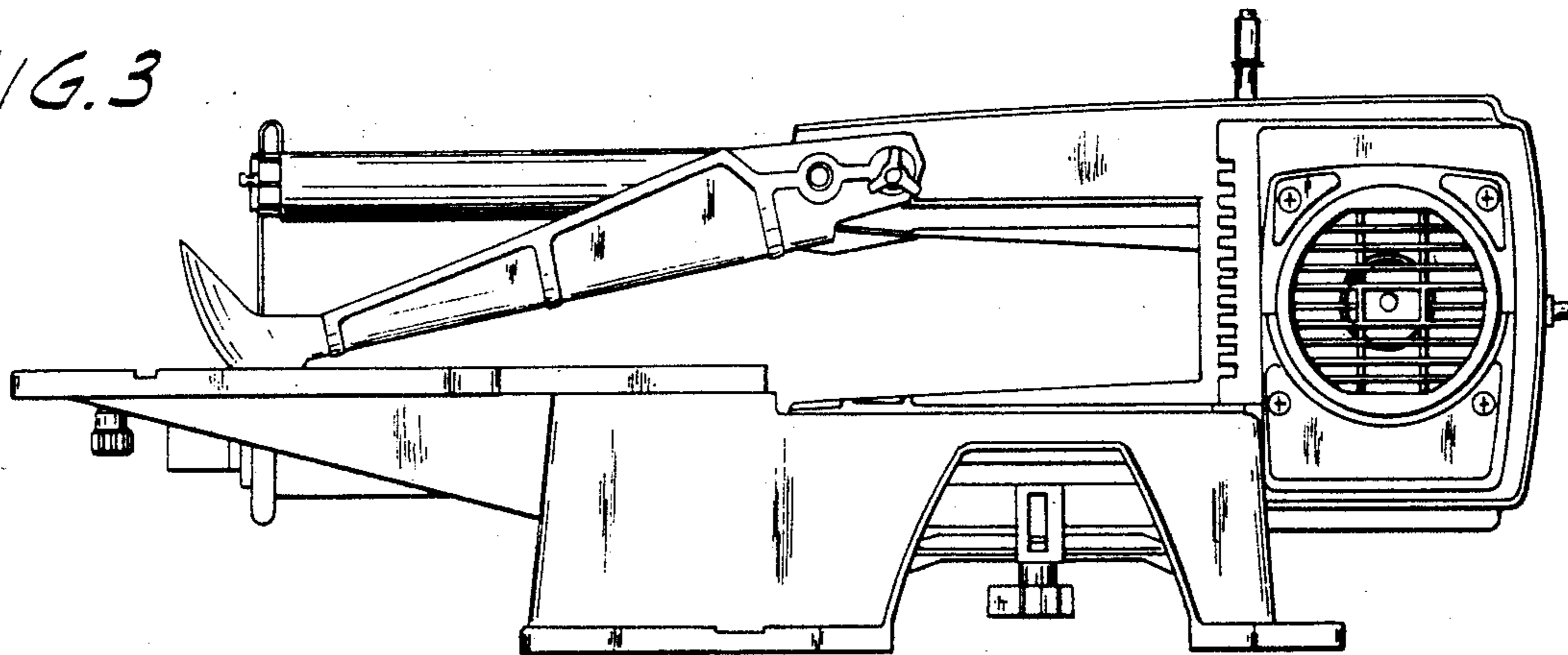


FIG. 4

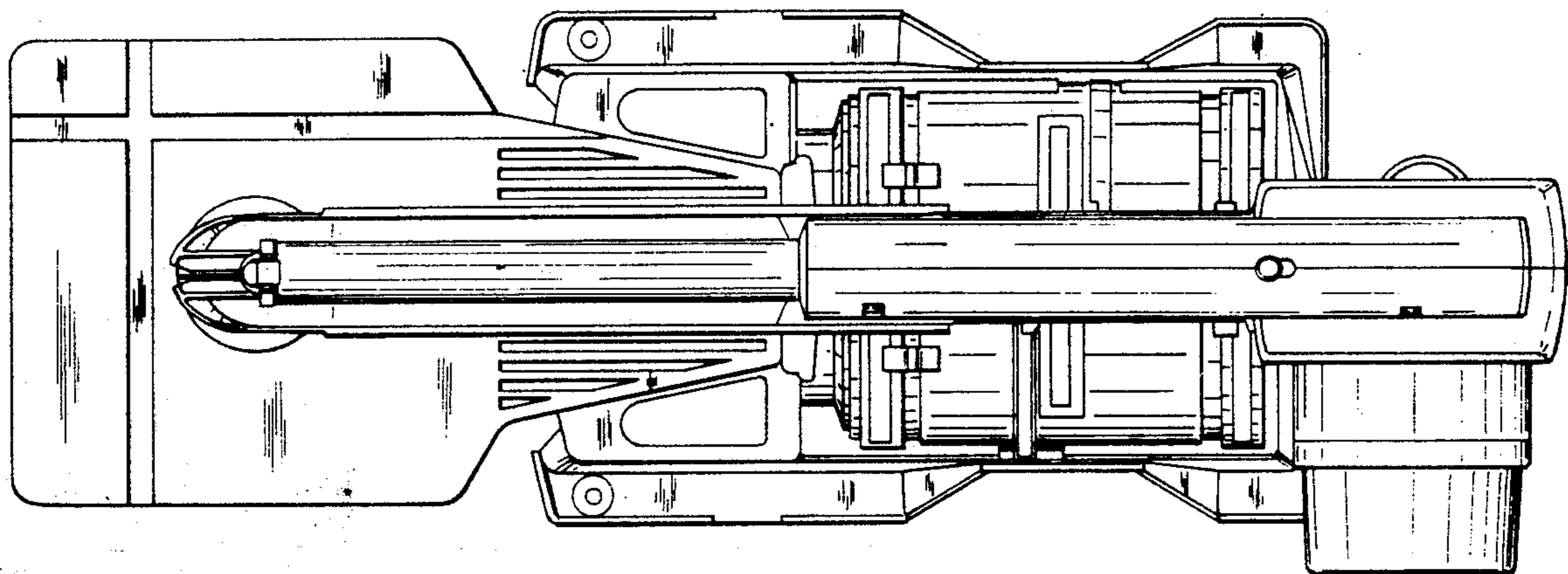


FIG. 5

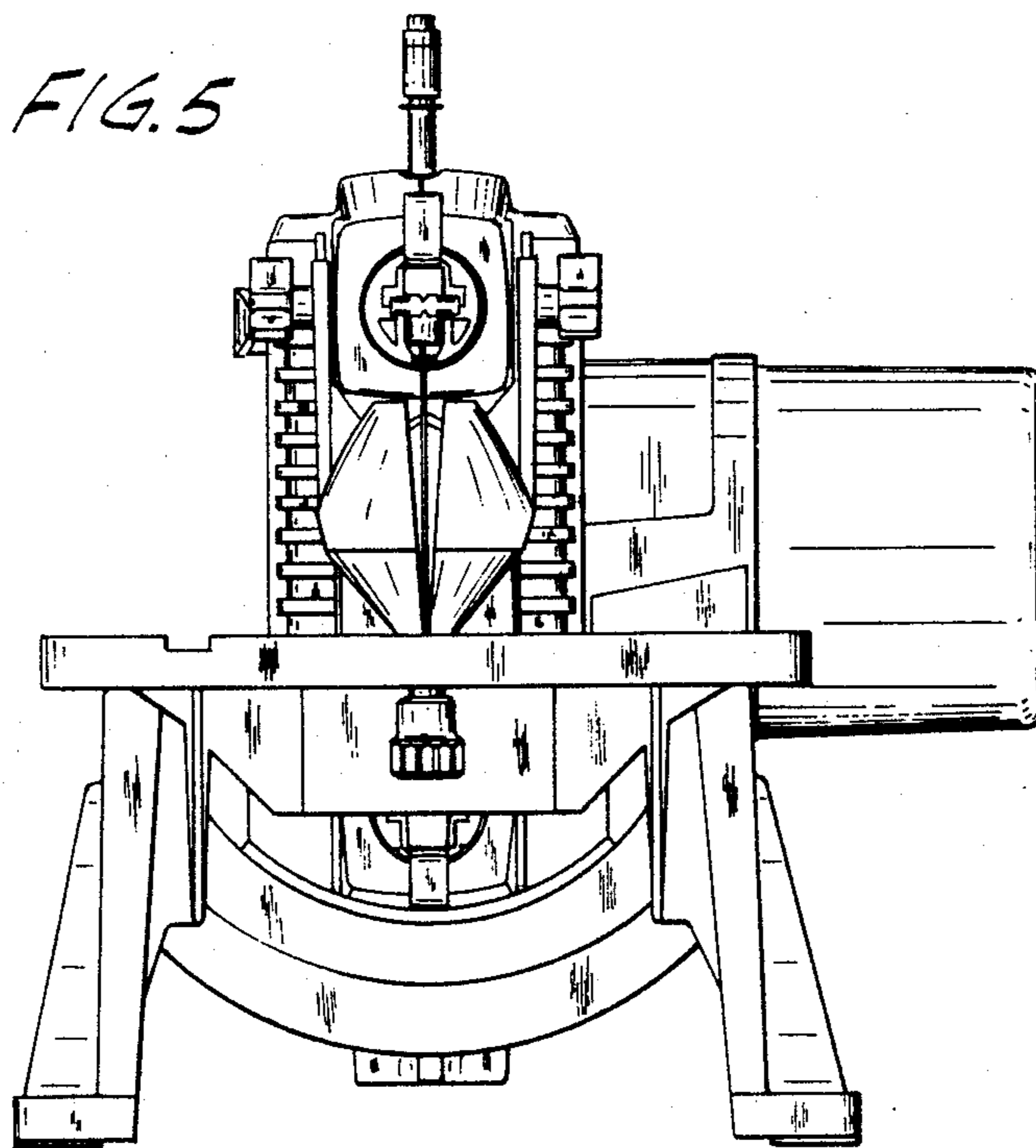




FIG. 6

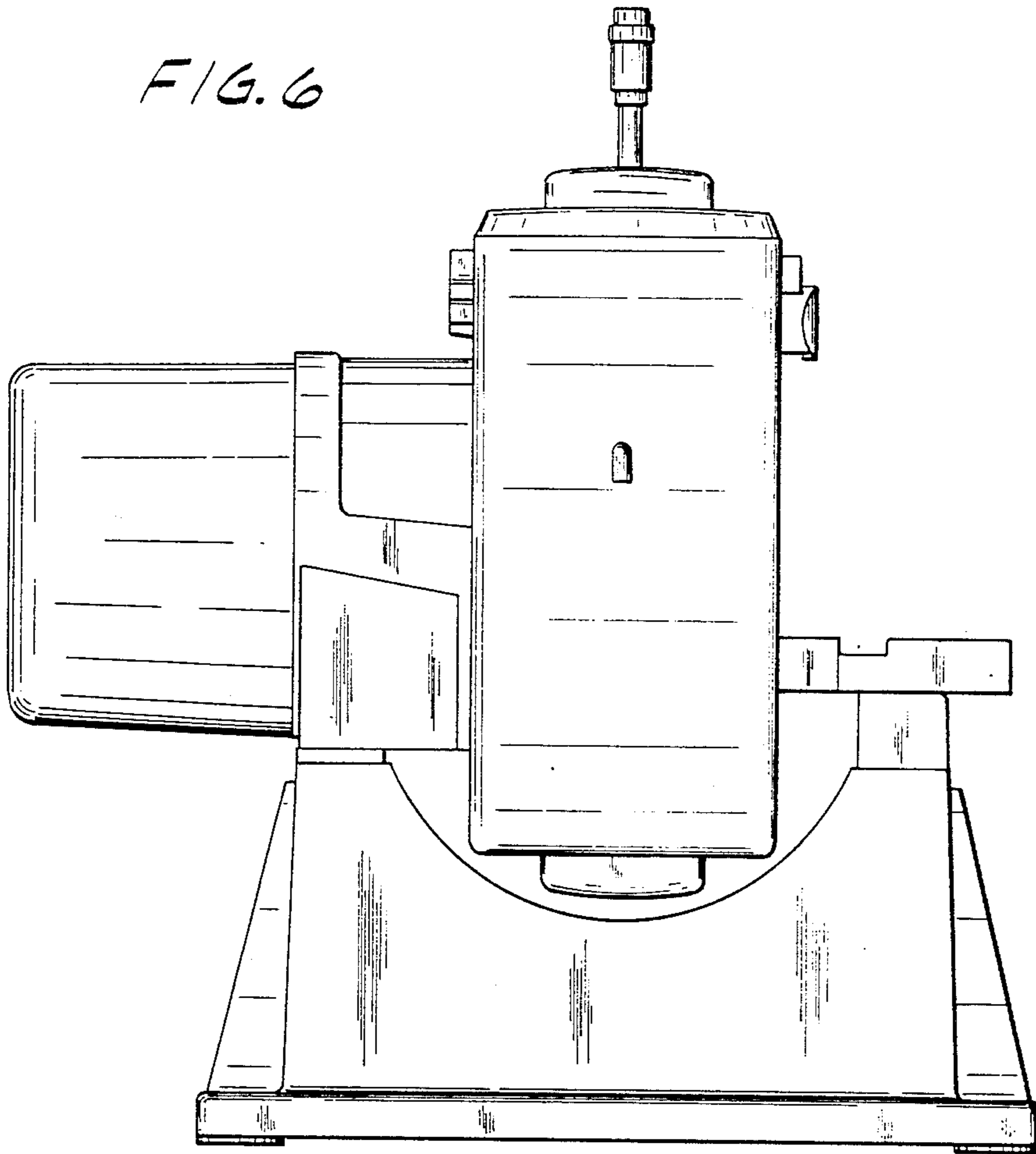


FIG. 7

