

[54] SEWING MACHINE

[75] Inventor: Tetsuya Aono, Osaka, Japan

[73] Assignee: Maruzen Sewing Machine Co., Ltd., Osaka, Japan

[**] Term: 14 Years

[21] Appl. No.: 686,584

[22] Filed: Dec. 26, 1984

[30] Foreign Application Priority Data

Jul. 3, 1984 [JP] Japan 59-027602
Jul. 3, 1984 [JP] Japan 59-027603

[52] U.S. Cl. D15/69; D15/68

[58] Field of Search D15/68-70;
112/63, 258-261

[56] References Cited

U.S. PATENT DOCUMENTS

D. 253,705 12/1979 Felix et al. D15/69
D. 266,519 10/1982 Genaro et al. D15/68

D. 280,826 10/1985 Kuroki D15/69
3,570,431 3/1971 Fresard 112/258
3,744,443 7/1973 Current 112/258
4,077,339 3/1978 Bass et al. 112/258 X
4,080,913 3/1978 Arendash et al. 112/258

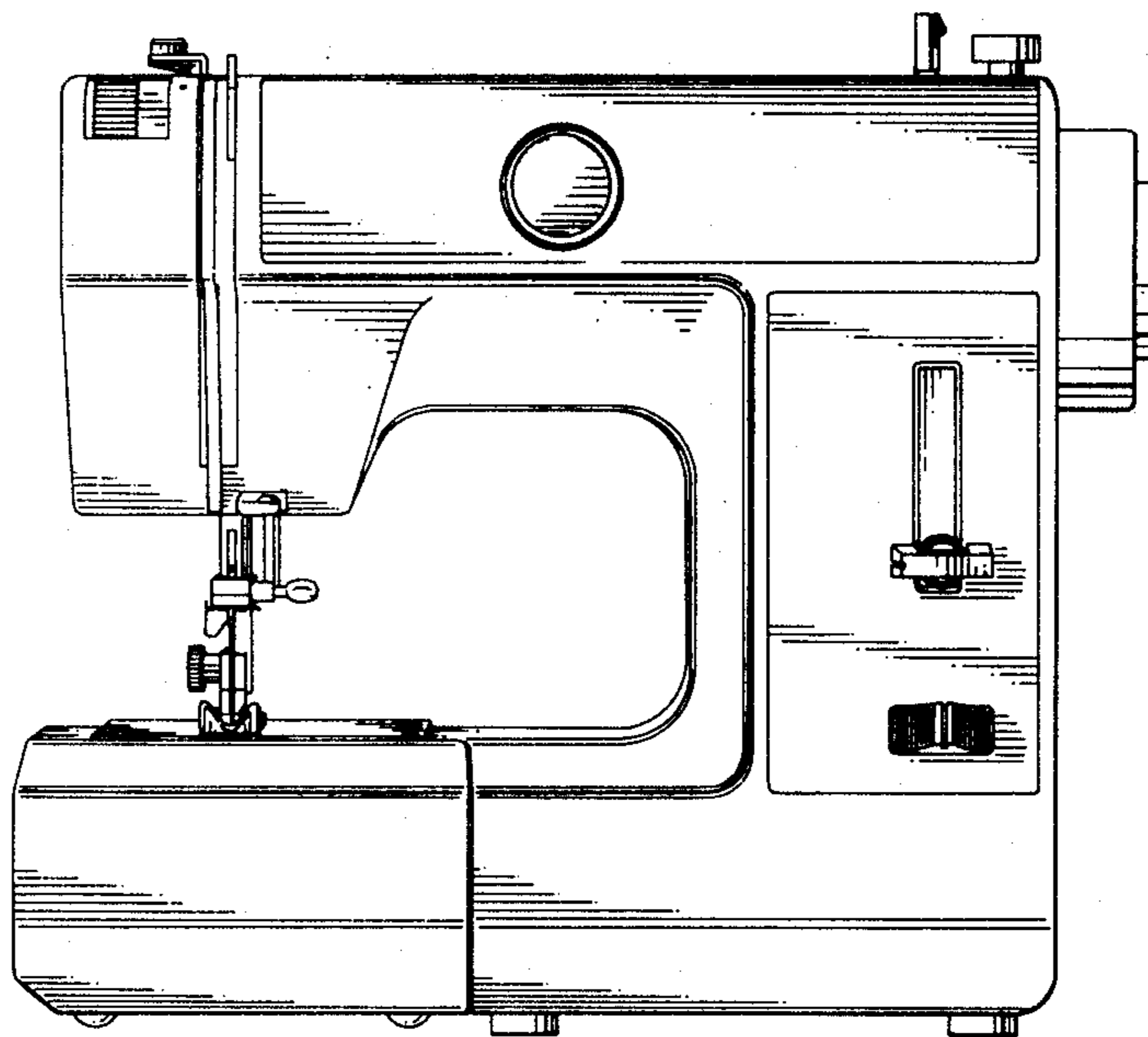
Primary Examiner—Bernard Ansher
Assistant Examiner—Linda Titolo
Attorney, Agent, or Firm—Lowe Price LeBlanc Becker & Shur

[57] CLAIM

The ornamental design for a sewing machine, as shown.

DESCRIPTION

FIG. 1 is a top plan view of a sewing machine, showing my new design;
FIG. 2 is a front elevational view thereof;
FIG. 3 is a bottom plan view thereof;
FIG. 4 is a rear elevational view thereof;
FIG. 5 is a left side elevational view thereof;
FIG. 6 is a right side elevational view thereof; and
FIG. 7 is a front perspective view thereof.



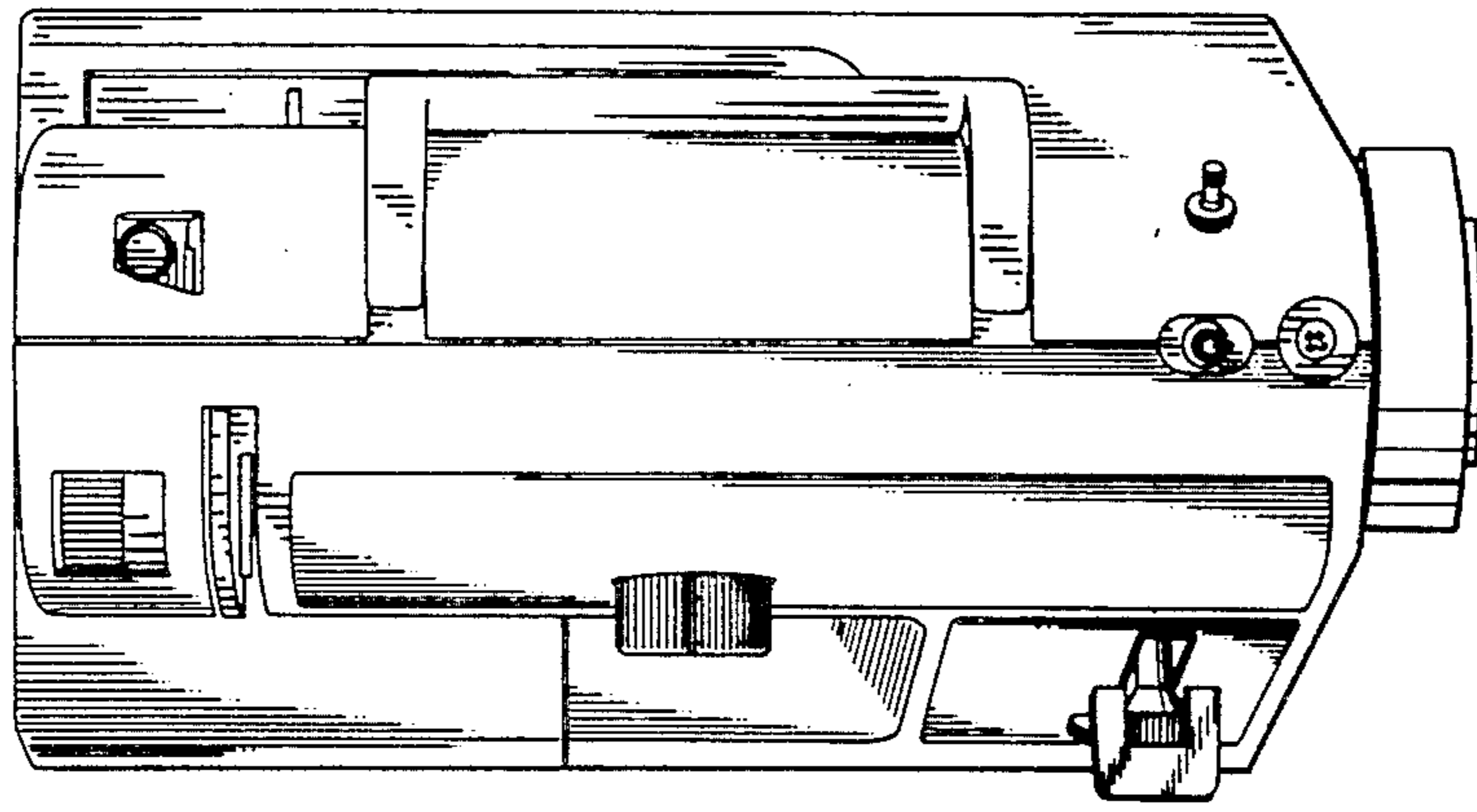


Fig.1

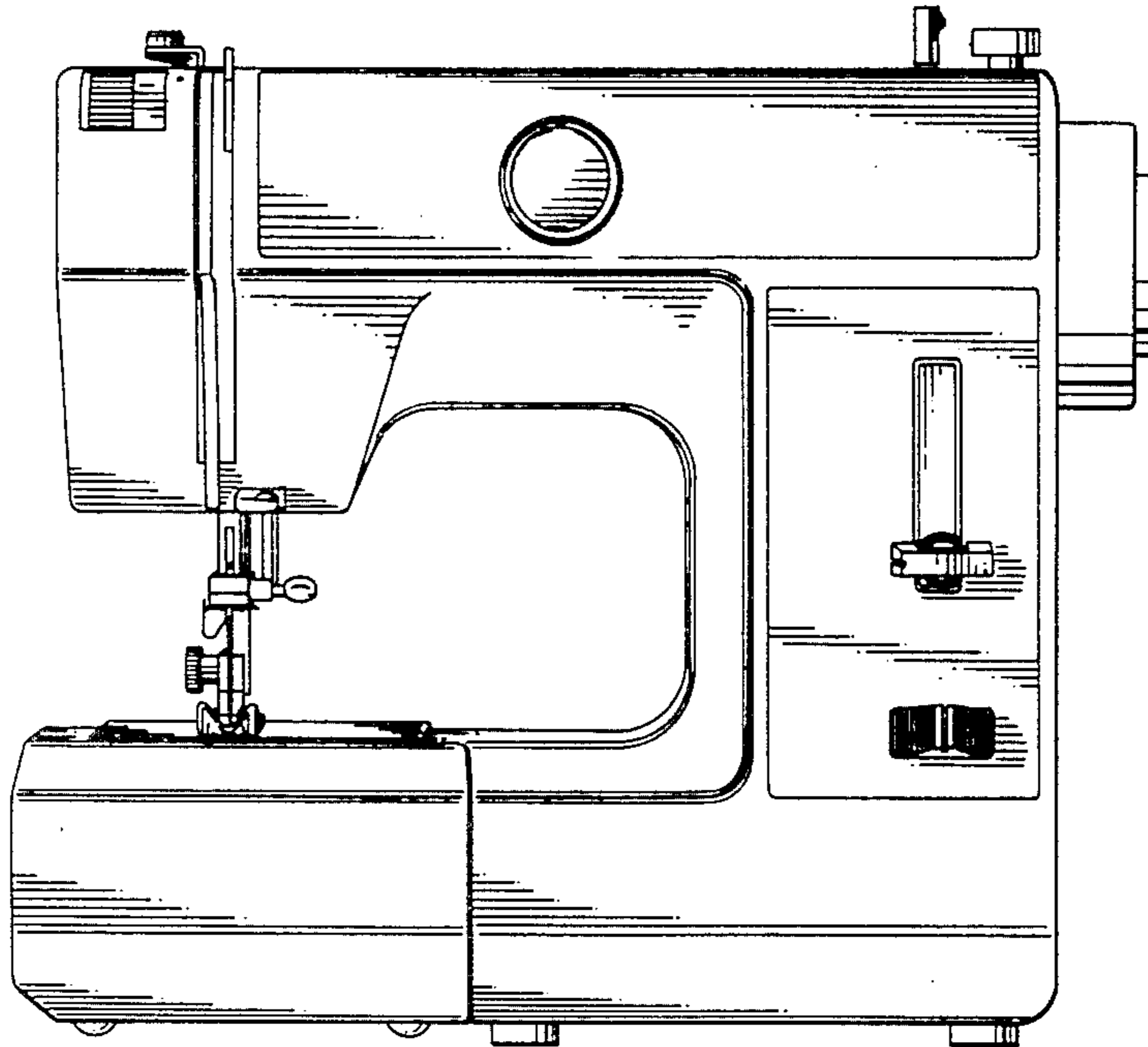


Fig.2

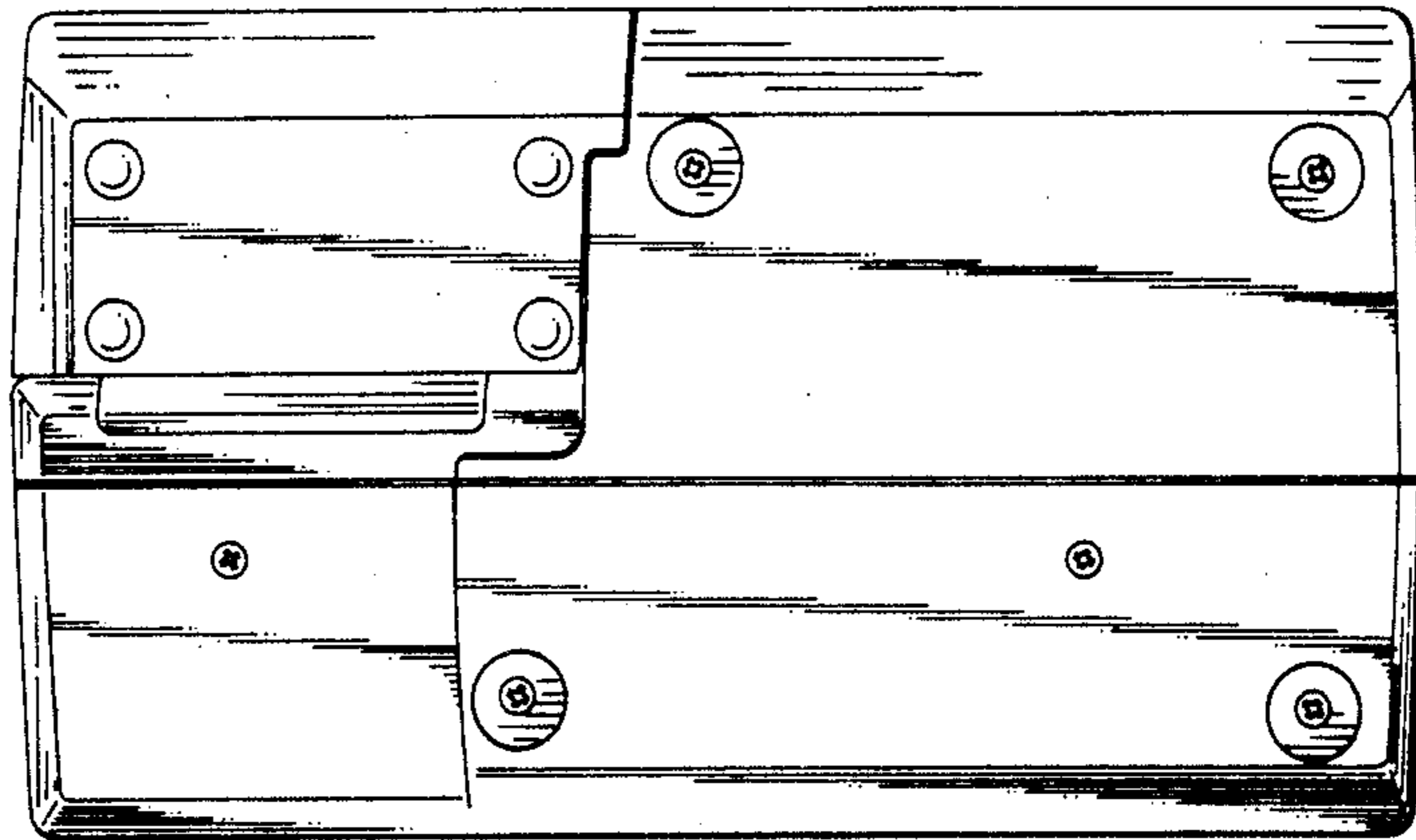


Fig.3

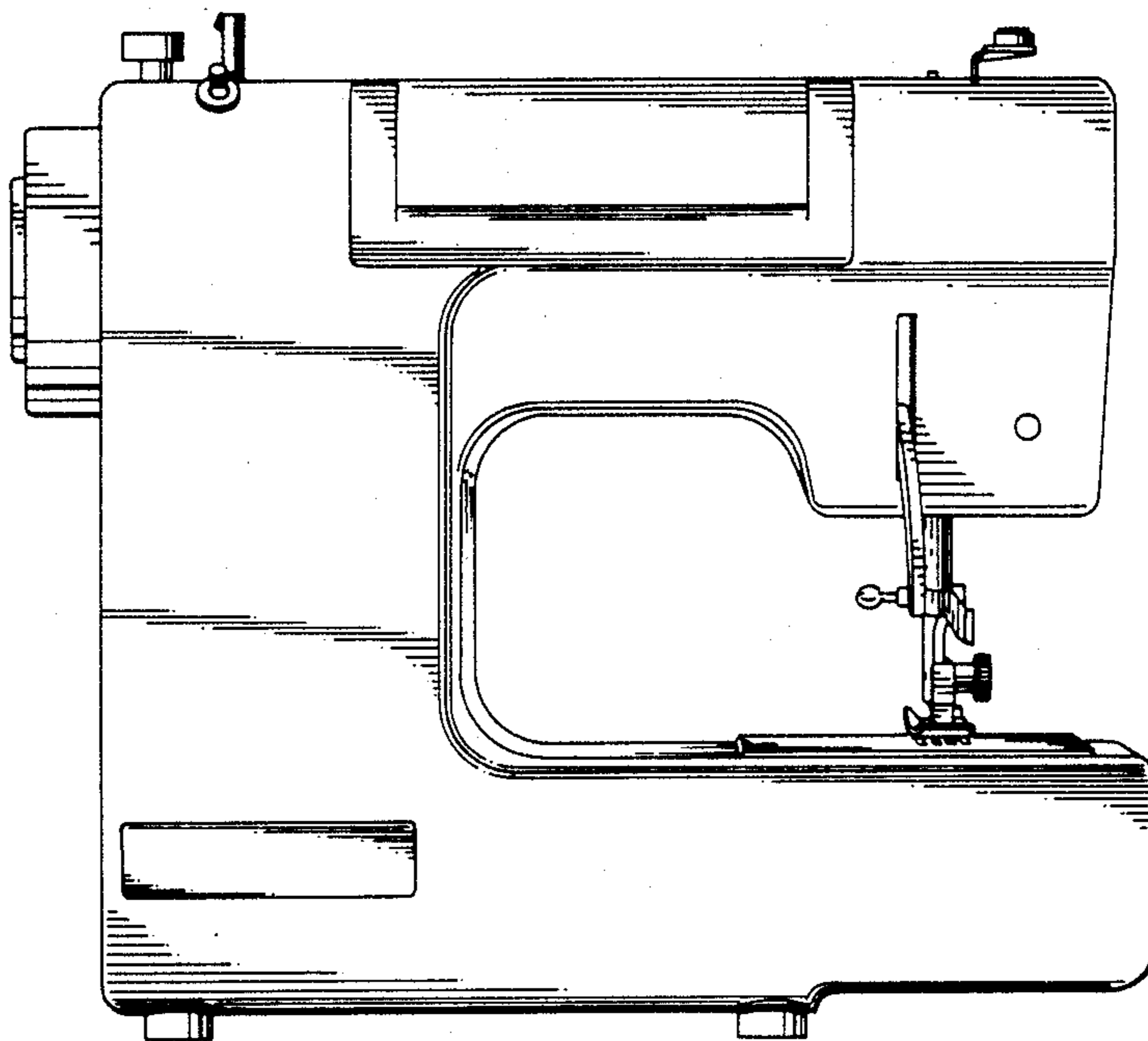


Fig.4

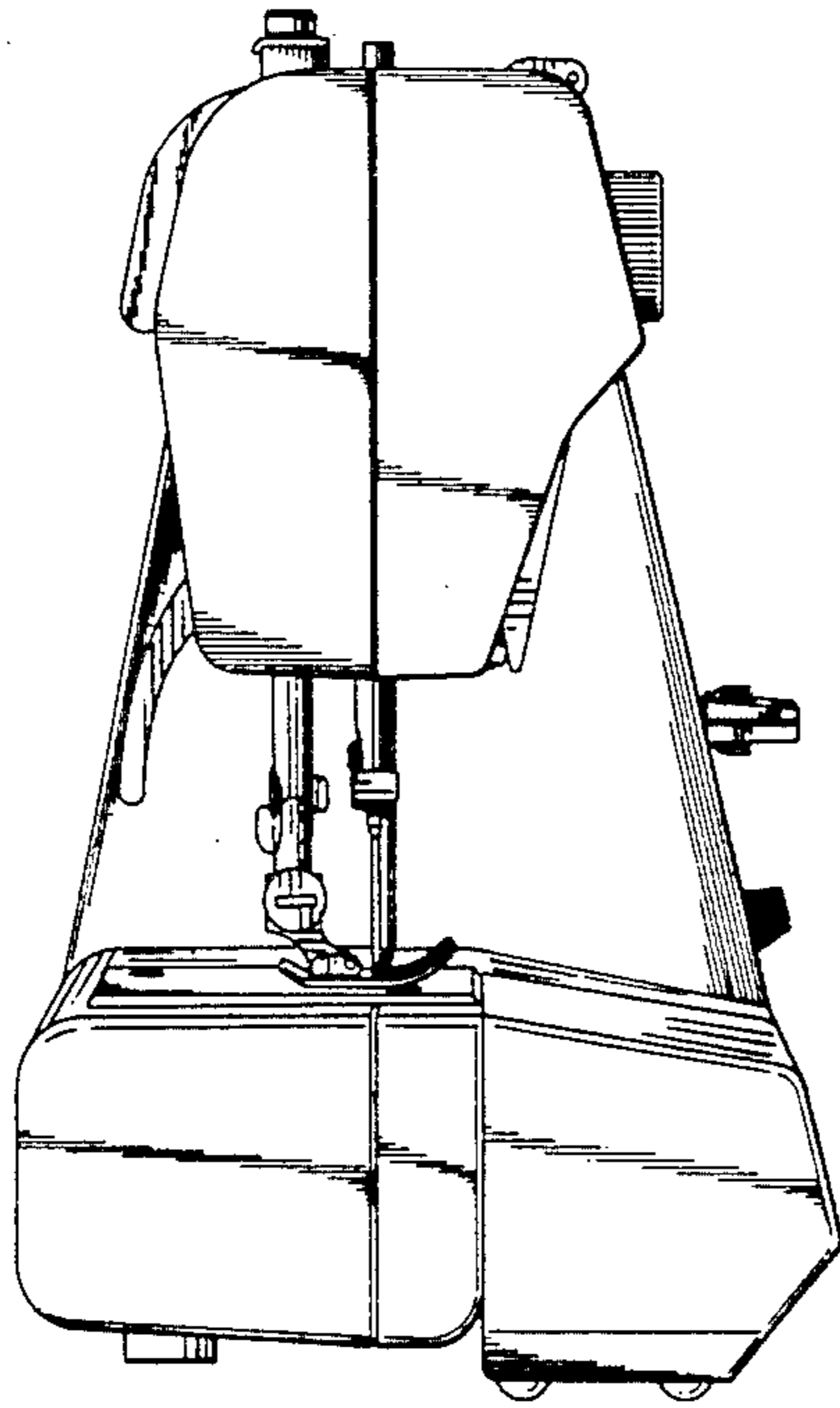


Fig. 5

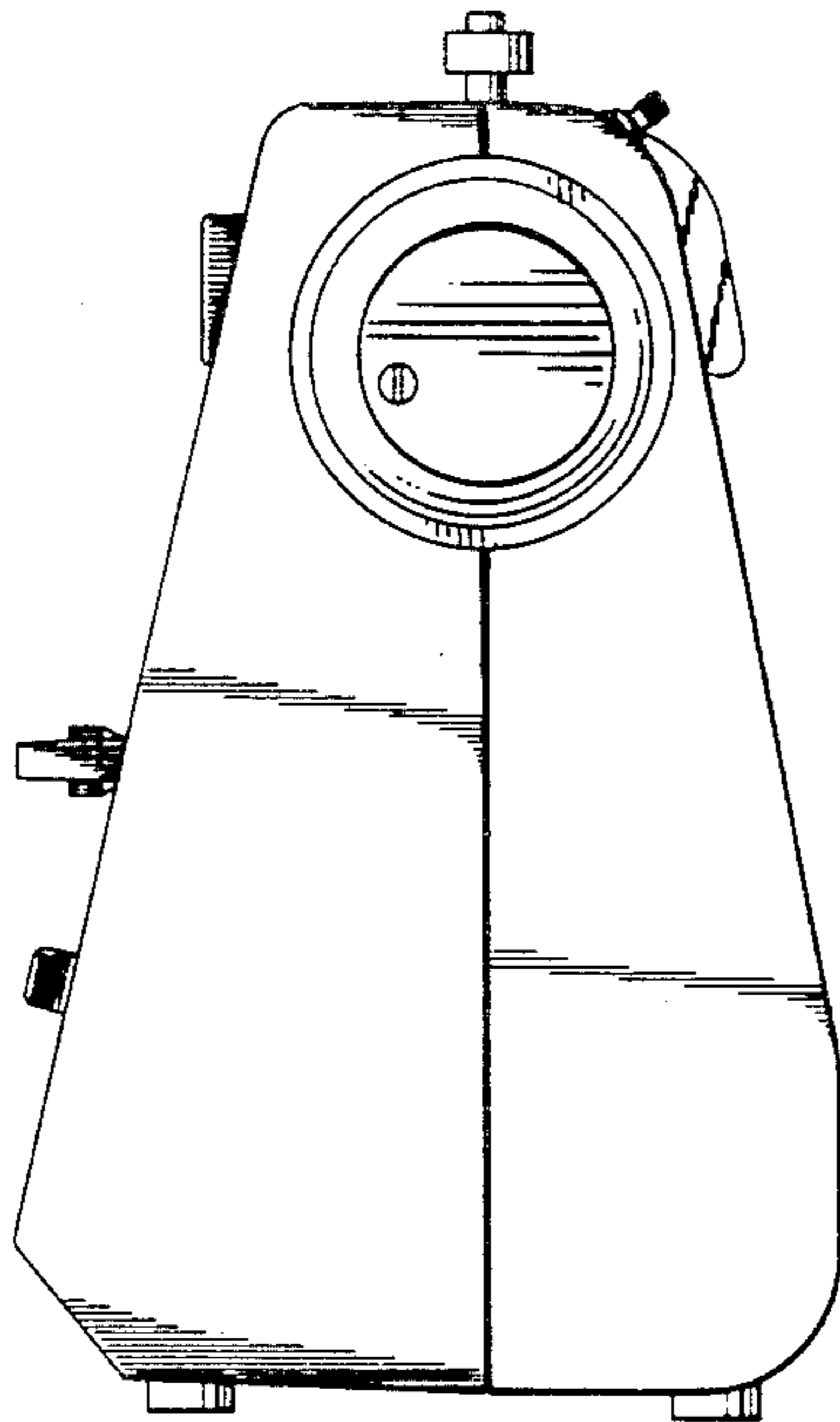


Fig. 6

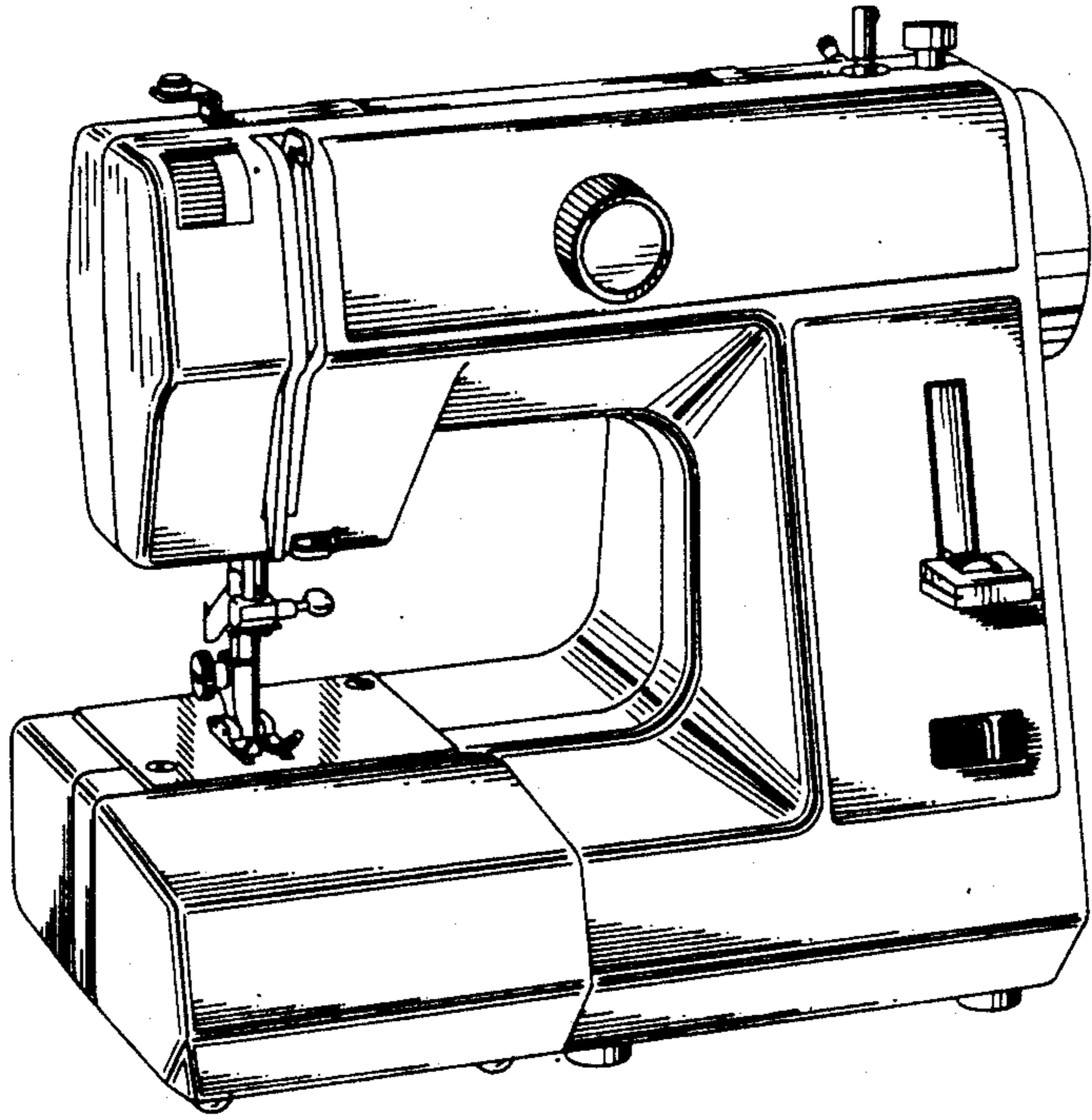


Fig. 7