

[54] COMBINED GRASS COLLECTOR AND BLOWER

[76] Inventors: Thomas L. Hoepfner, 98 Prairiewood Dr.; Keith A. Leistikow, 88 Prairiewood Dr., both of Fargo, N. Dak. 58103

[**] Term: 14 Years

[21] Appl. No.: 847,579

[22] Filed: Mar. 31, 1986

Related U.S. Application Data

[62] Division of Ser. No. 681,835, Dec. 14, 1984, Pat. No. Des. 285,690.

[52] U.S. Cl. D15/17

[58] Field of Search D15/10-11, D15/12-13, 17, 28; 56/13.3, 13.4, 320.1, 320.2, 202

[56] References Cited

U.S. PATENT DOCUMENTS

D. 213,328	2/1969	Smith	D15/17
D. 250,892	1/1979	Jackson	D15/17
2,843,991	7/1958	Poehls	56/23
2,920,435	1/1960	Vallone	56/25.4
3,058,284	10/1962	Anderson	56/13.3
3,134,214	5/1964	Shaw	56/202
3,367,092	2/1968	Gifford	56/26
3,657,865	4/1972	Ober	56/13.3
3,736,736	6/1973	Myers	56/14.5
3,778,865	12/1973	Schmidt, Jr. et al.	15/340
3,783,592	1/1974	Schraut	56/13.3
3,888,072	6/1975	Templeton	56/320.2
3,925,968	12/1975	Wagenhals	56/13.3
3,987,606	10/1976	Evans	56/13.4
4,043,100	8/1977	Aumann et al.	56/16.5

4,081,947	4/1978	Szymanis	56/13.3
4,095,398	6/1978	Aumann et al.	56/202
4,104,852	8/1978	Tackett	56/202
4,106,272	8/1978	Peterson et al.	56/202
4,114,353	9/1978	Ansbaugh et al.	56/13.3
4,188,160	2/1980	Corbett et al.	406/58
4,193,249	3/1980	Tackett	56/320.2
4,345,416	8/1982	Cameron	56/13.3
4,433,532	2/1984	McCunn	56/320.2

OTHER PUBLICATIONS

E-Z Rake, Inc. "E-Z VAC 4 Models . . . To Fit Most Tractors and Riders, Oct. 1980.

Grasshopper Company Brochure, "Your Next Mower" no date.

PeCo Lawn Vacs Brochures—John Deere and Dixon ZTR, 184.

Primary Examiner—Wallace R. Burke

Assistant Examiner—Ruth E. Takemoto

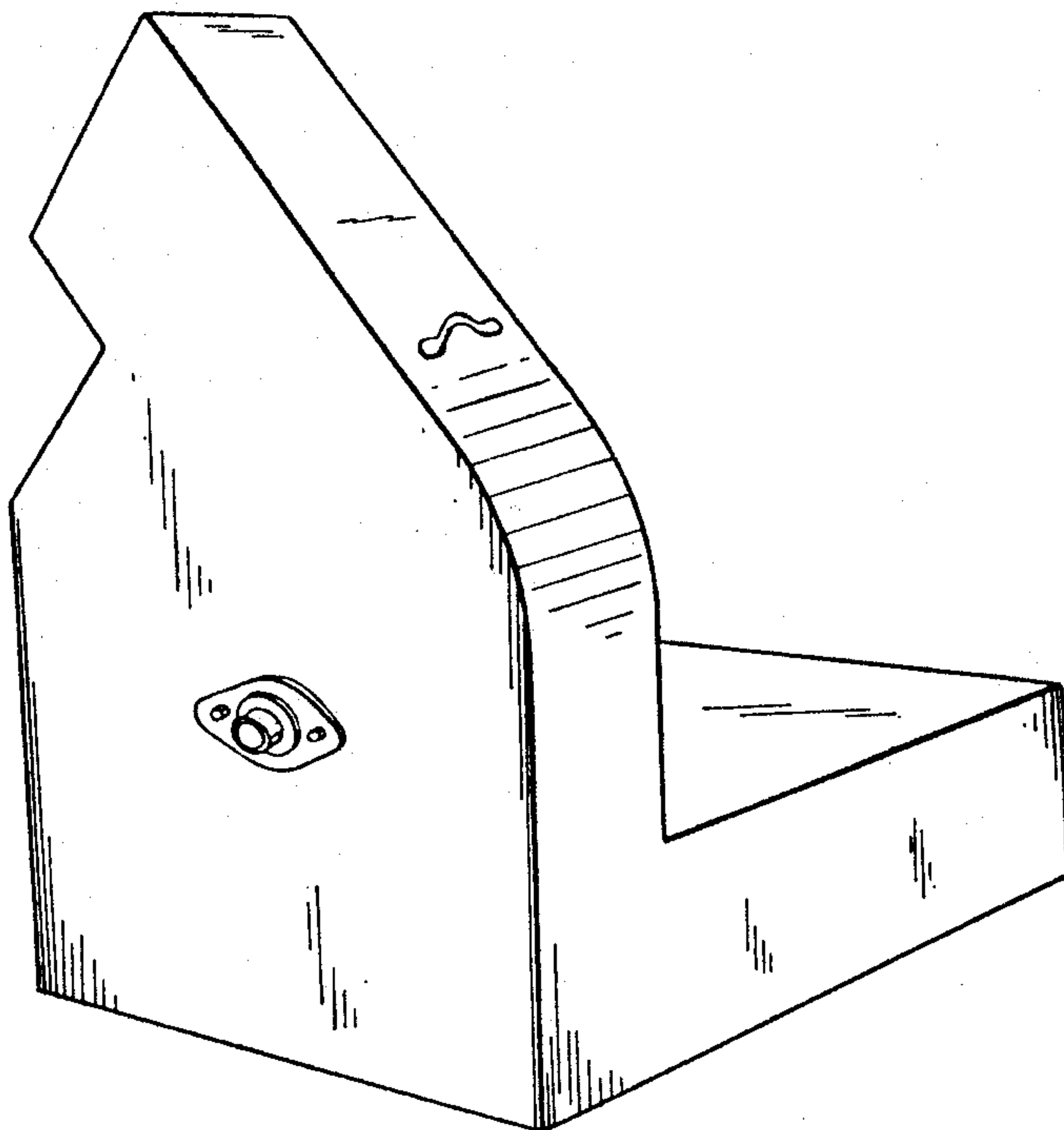
Attorney, Agent, or Firm—Burd, Bartz & Gutenkauf

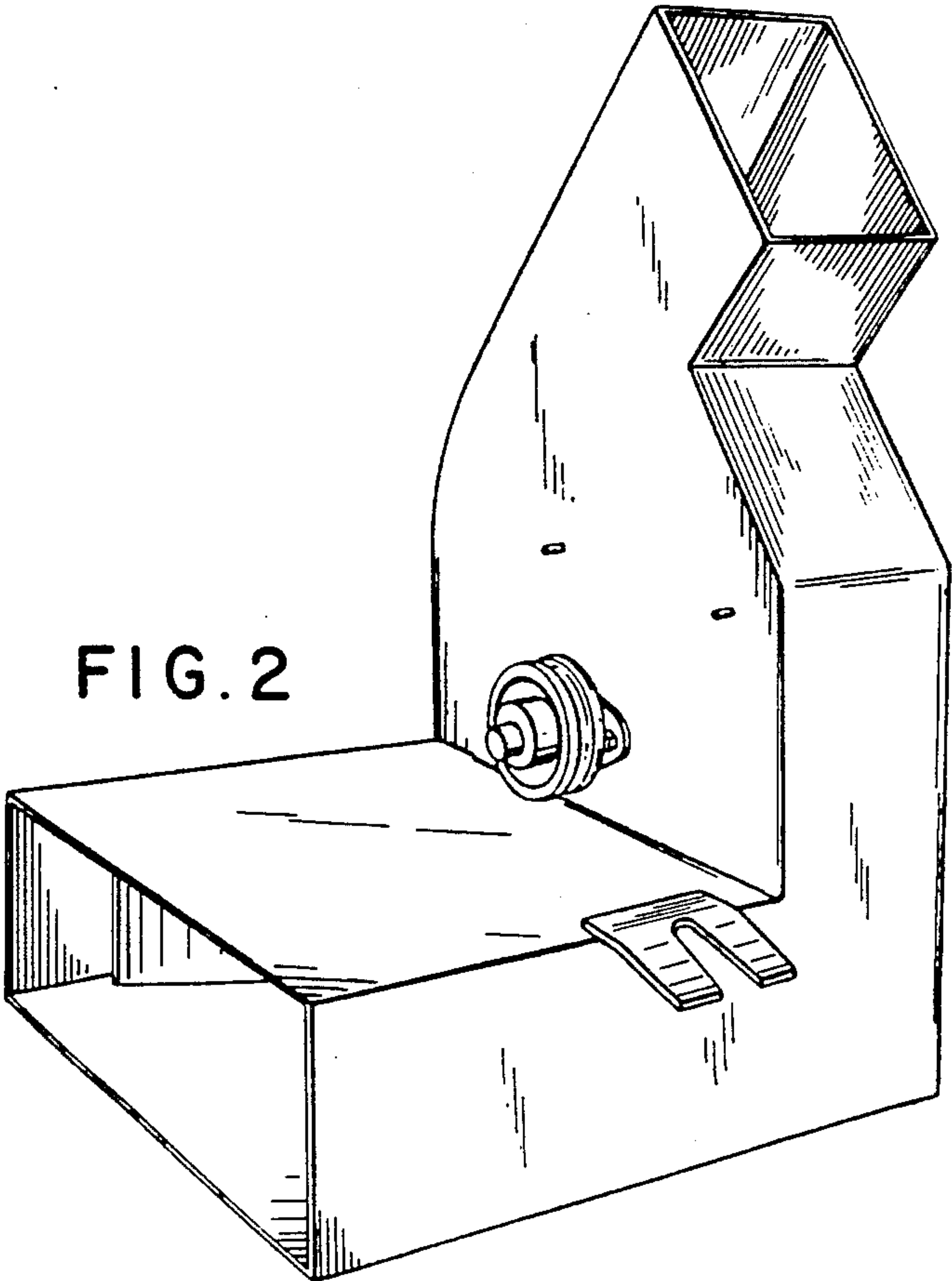
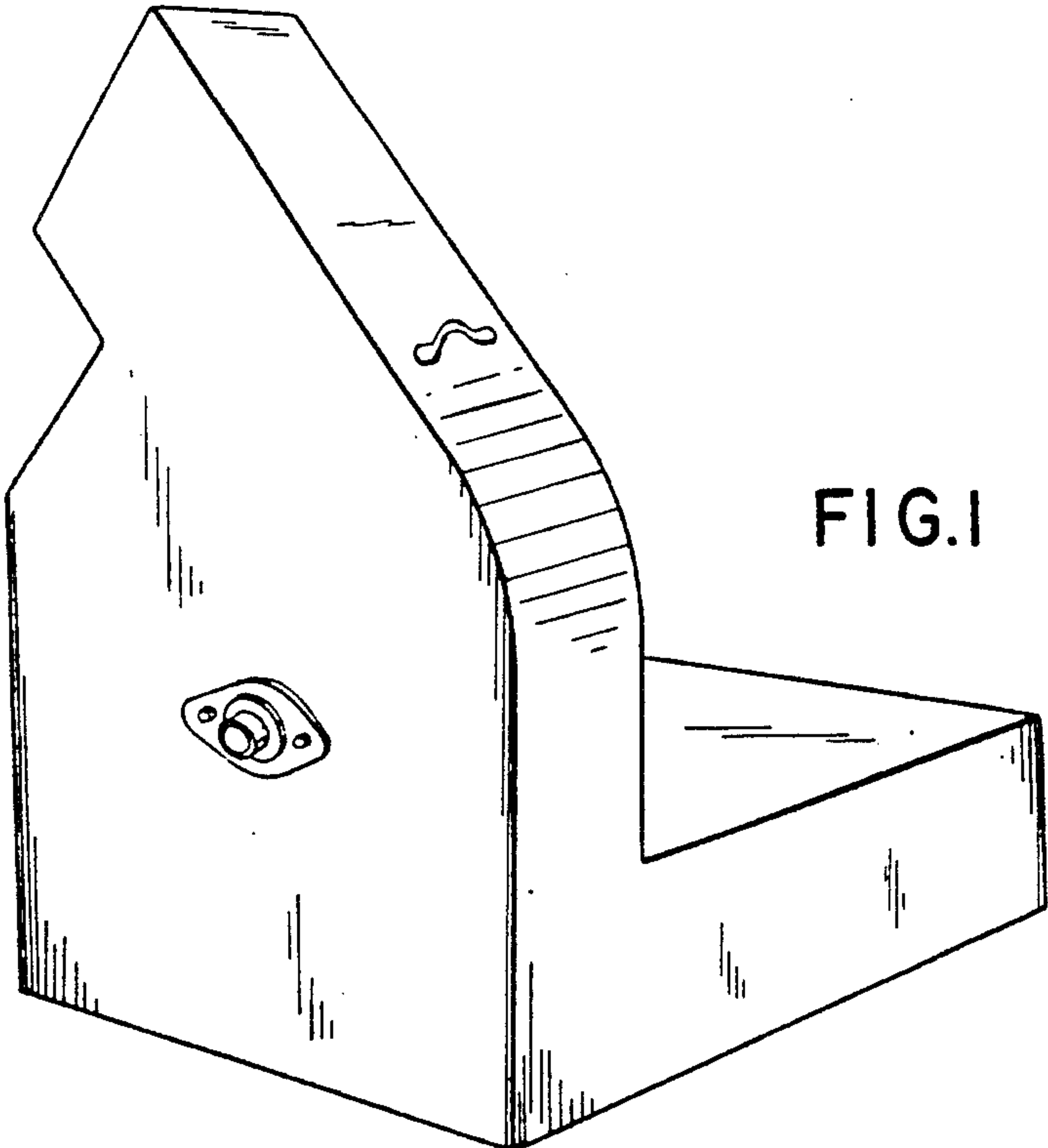
[57] CLAIM

The ornamental design for a combined grass collector and blower, as shown and described.

DESCRIPTION

FIG. 1 is a front perspective view of a combined grass collector and blower showing new design; FIG. 2 is a rear perspective view thereof; FIG. 3 is a front elevational view thereof; FIG. 4 is a rear elevational view thereof; FIG. 5 is a side elevational view taken from the right of FIG. 1; FIG. 6 is a side elevational view taken from the left of FIG. 1; FIG. 7 is a top plan view thereof; and FIG. 8 is a bottom plan view thereof.





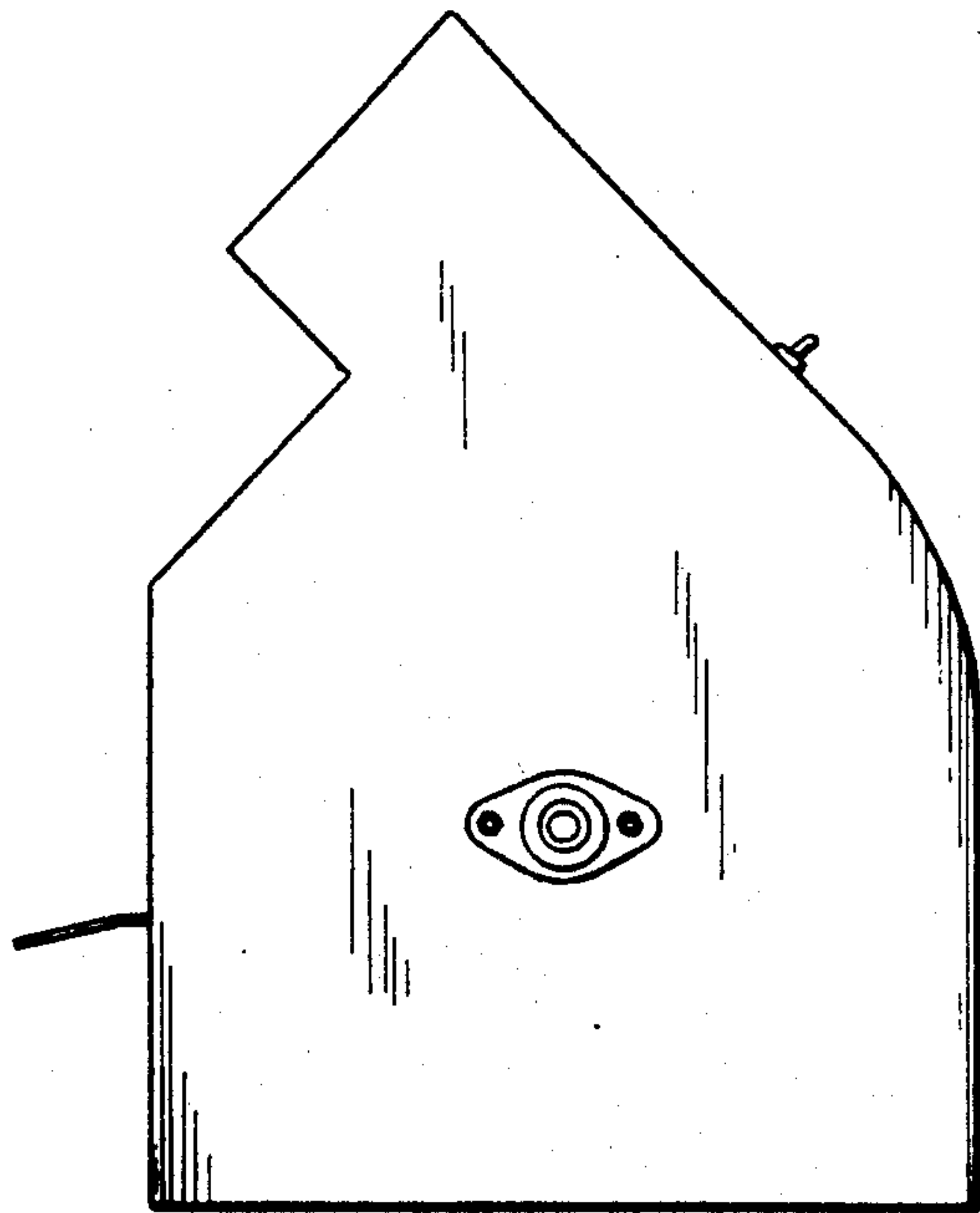


FIG. 3

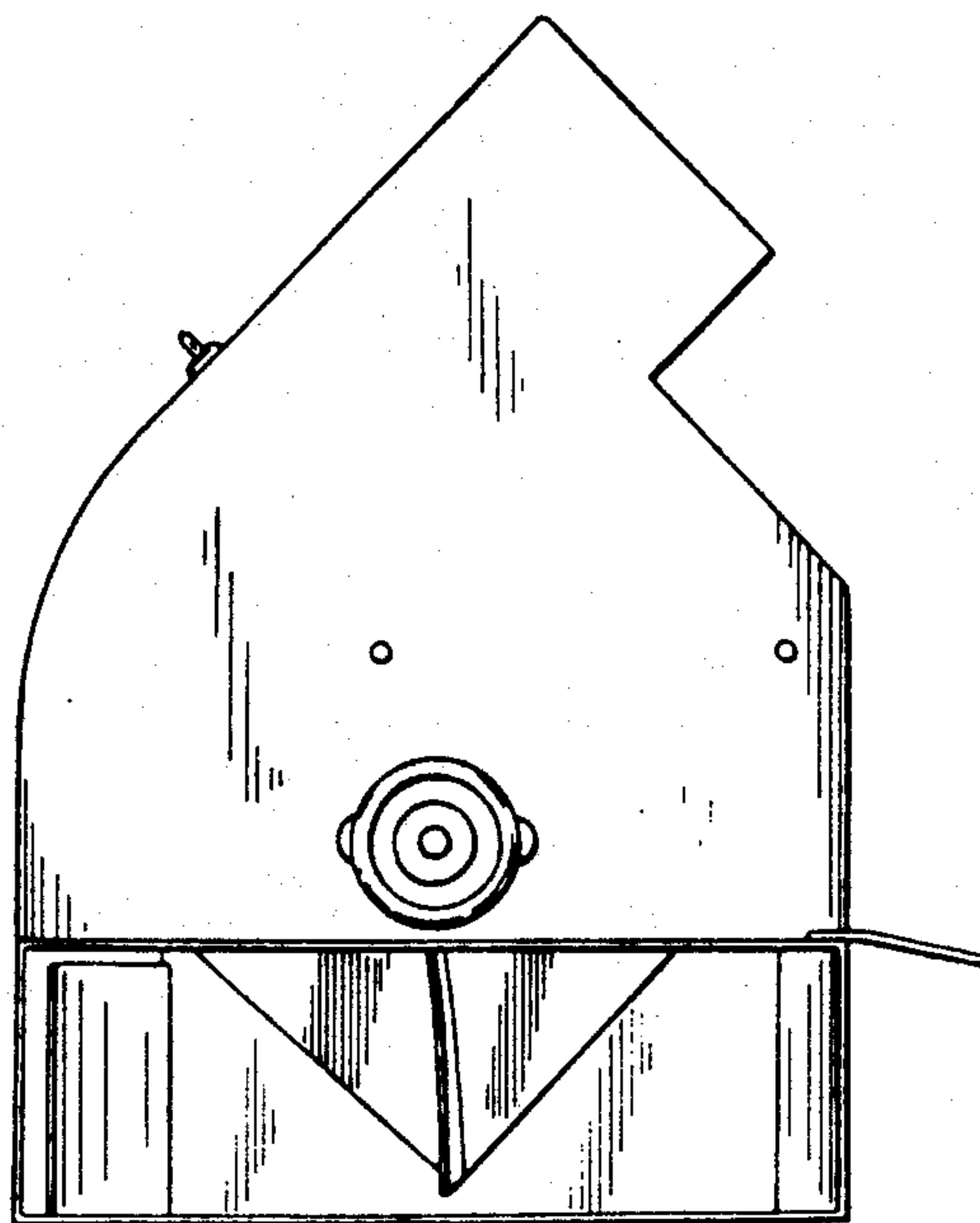


FIG. 4

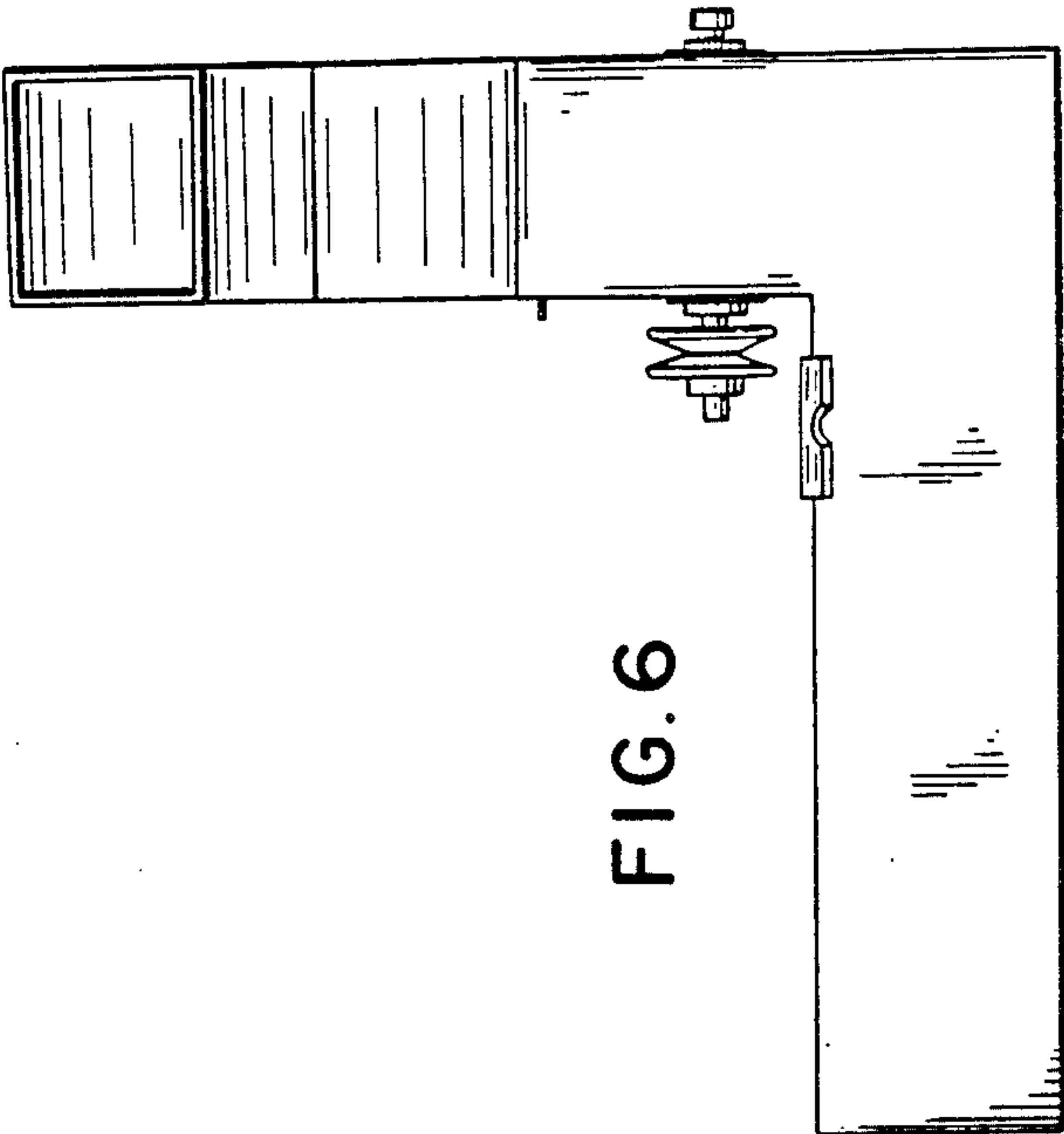


FIG. 6

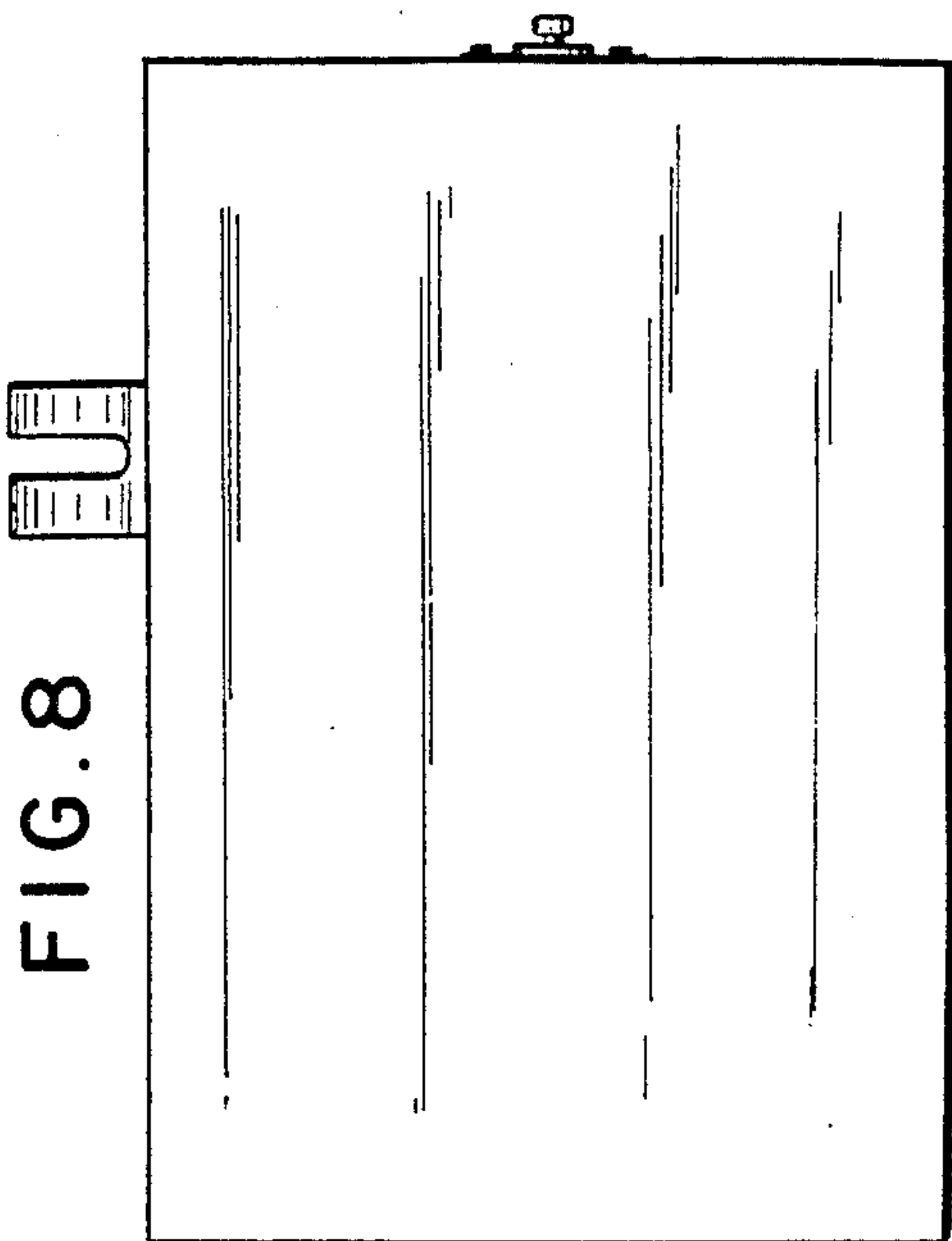


FIG. 8

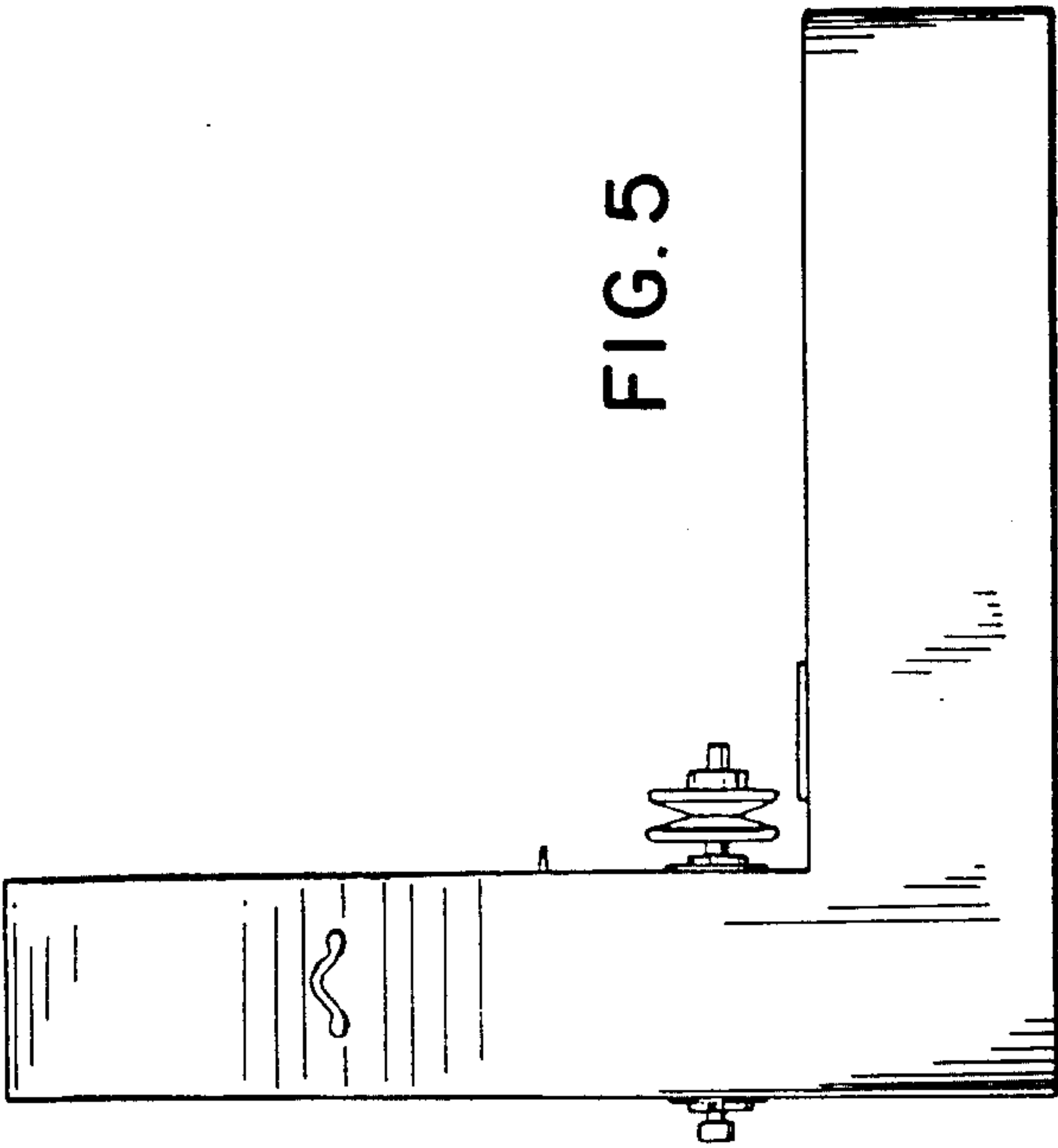


FIG. 5

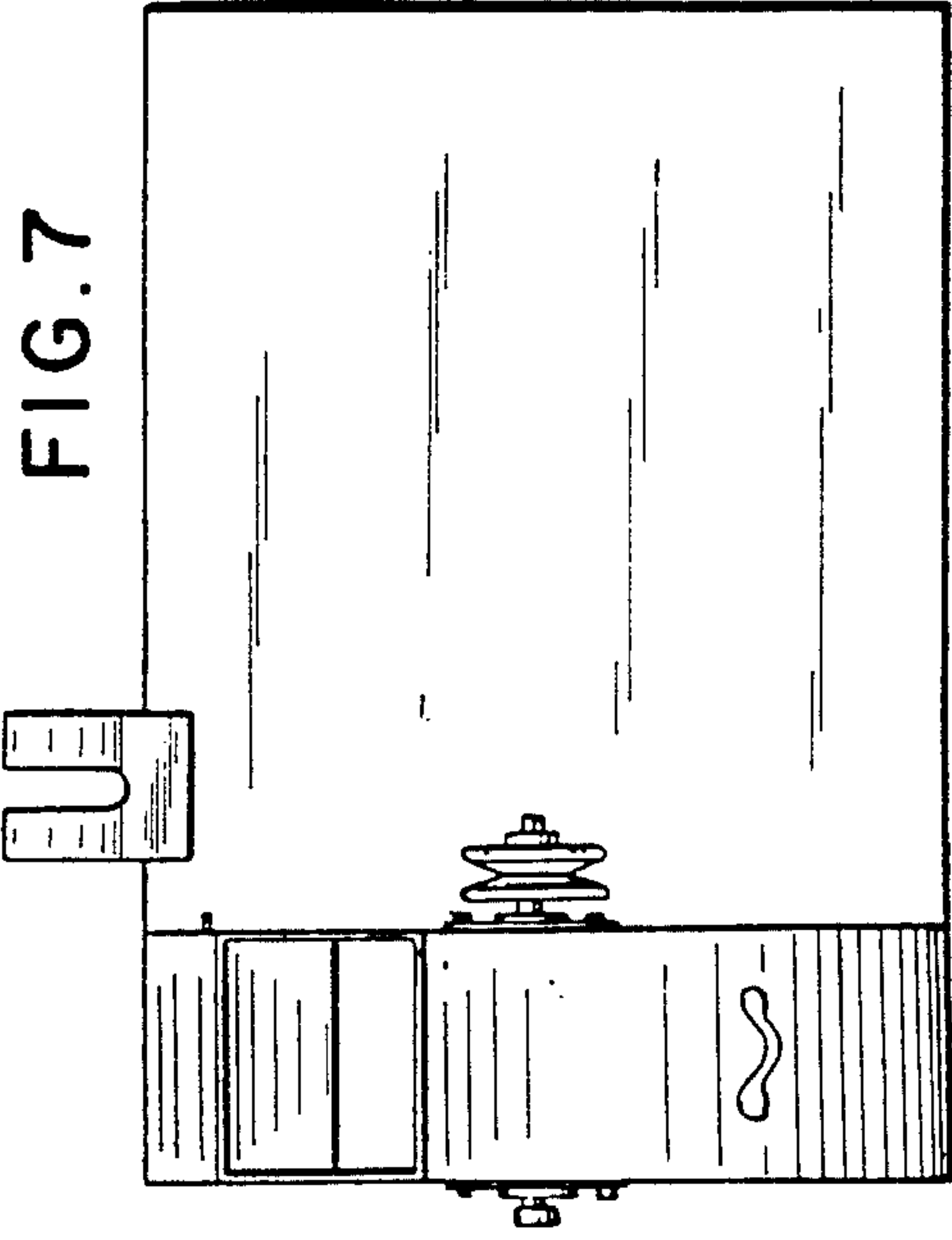


FIG. 7