

[54] BUSH CUTTER

[75] Inventors: Hiroaki Hatano; Takeshi Mochizuki, both of Numazu, Japan

[73] Assignee: Fuji Robin Kabushiki Kaisha, Tokyo, Japan

[\*\*] Term: 14 Years

[21] Appl. No.: 803,761

[22] Filed: Nov. 4, 1985

[30] Foreign Application Priority Data

May 31, 1985 [JP] Japan ..... 60-023231

[52] U.S. Cl. .... D15/10

[58] Field of Search ..... D15/10-11, D15/16, 22, 26, 28-29; 56/167-168, 233, 235-237, 239, 255, 295, 320.1, DIG. 7, DIG. 20, 12.7; 30/276, 318, DIG. 5, 388-390, 263-264; D8/64-67

[56] References Cited

U.S. PATENT DOCUMENTS

3,781,991 1/1974 Stretton et al. .... 30/276  
4,006,528 2/1977 Katsuga ..... 30/390

4,451,983 6/1984 Johnson et al. .... 56/12.7

FOREIGN PATENT DOCUMENTS

1500936 10/1967 France ..... 30/264

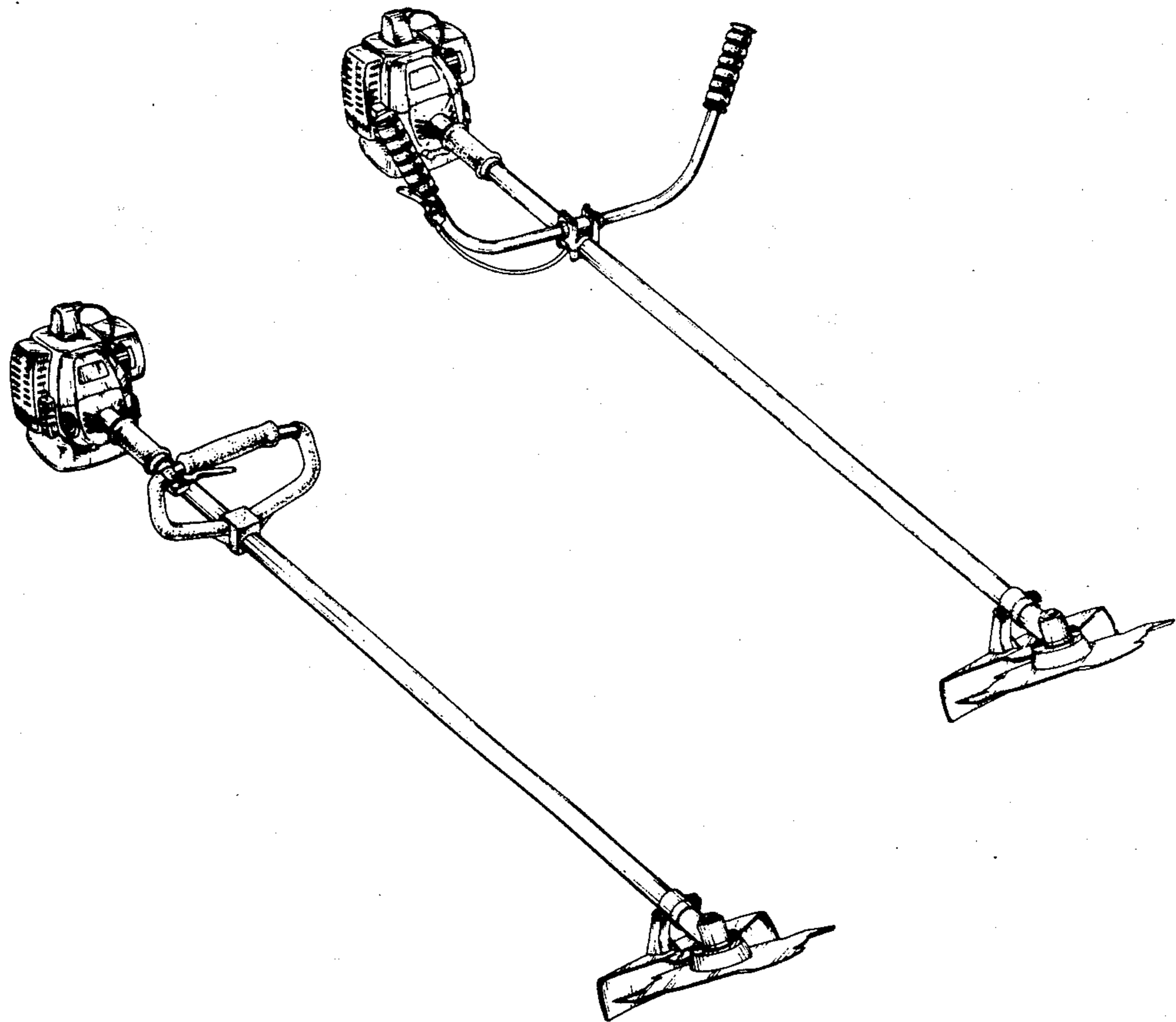
Primary Examiner—Wallace R. Burke  
Assistant Examiner—Ruth E. Takemoto  
Attorney, Agent, or Firm—Martin A. Farber

[57] CLAIM

The ornamental design for a bush cutter, as shown and described.

DESCRIPTION

FIG. 1 is a top, front and side perspective view of a bush cutter showing our new design;  
FIG. 2 is a top, rear and side perspective view thereof;  
FIG. 3 is a side elevational view thereof;  
FIG. 4 is a bottom plan view thereof;  
FIG. 5 is a rear elevational view thereof;  
FIG. 6 is a front elevational view thereof;  
FIG. 7 is a side elevational view of the opposite side of FIG. 3;  
FIG. 8 is a top plan view thereof; and  
FIG. 9 is a top, front and side perspective view of a second embodiment thereof, the only difference residing in the handles.



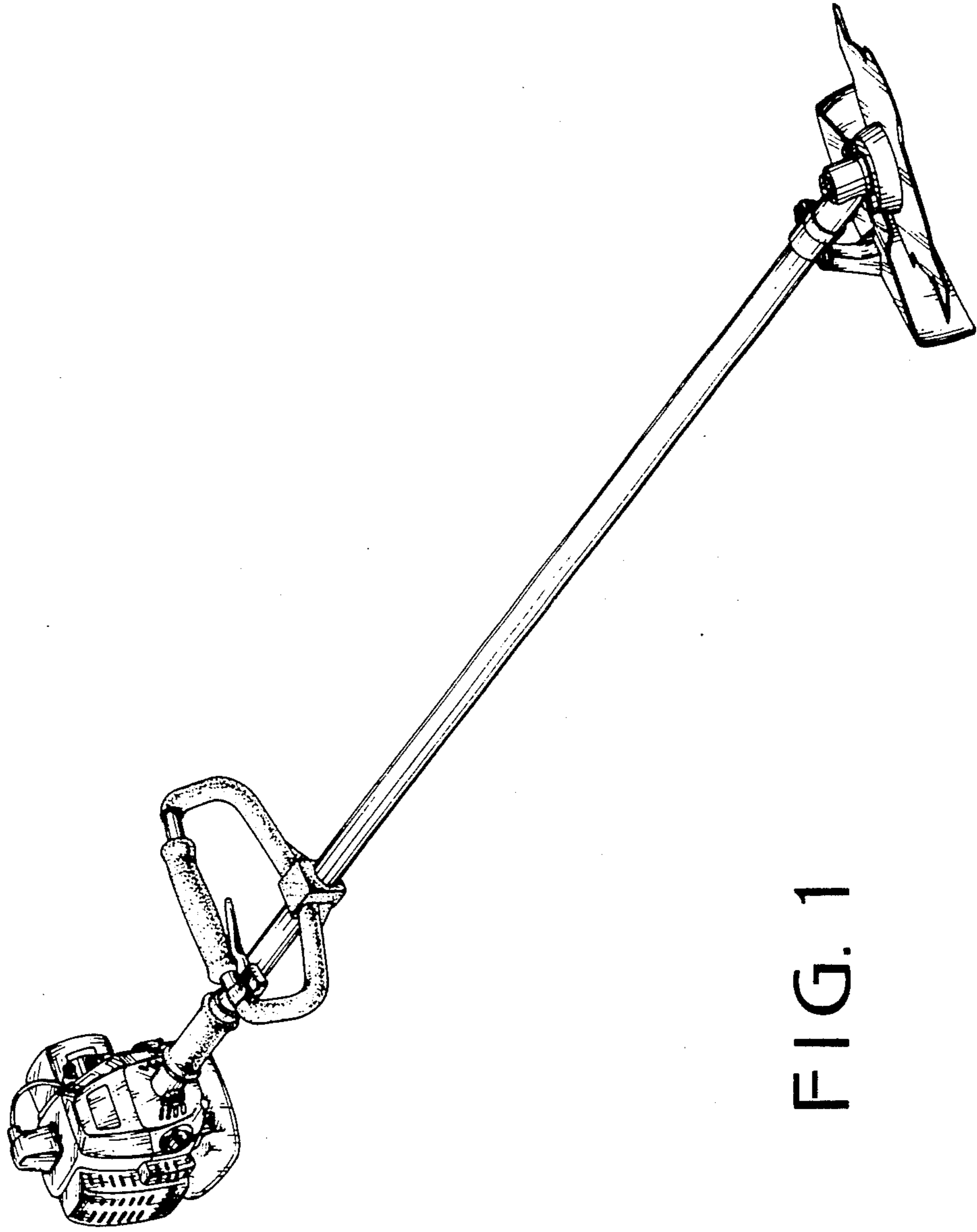


FIG. 1

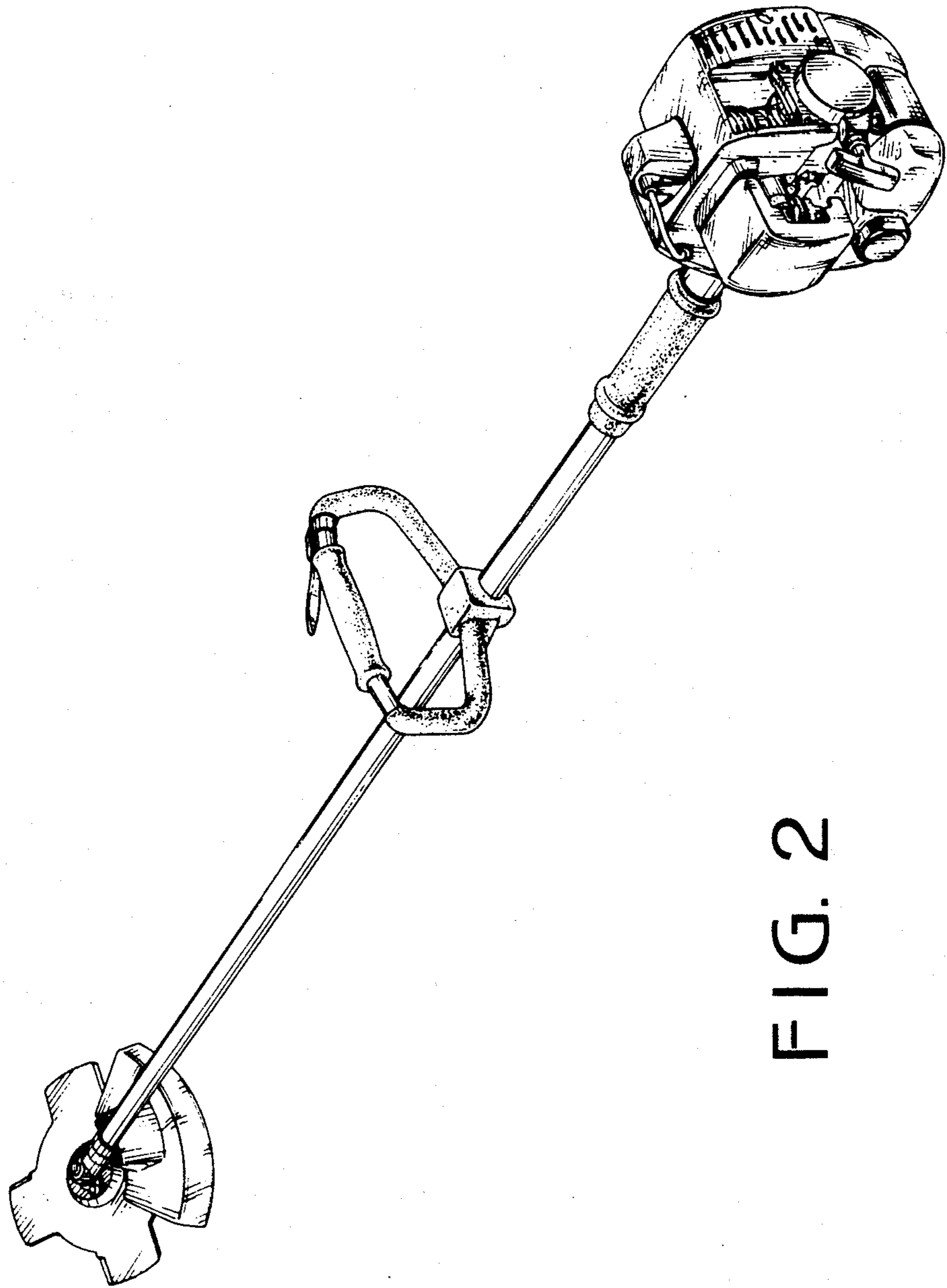


FIG. 2

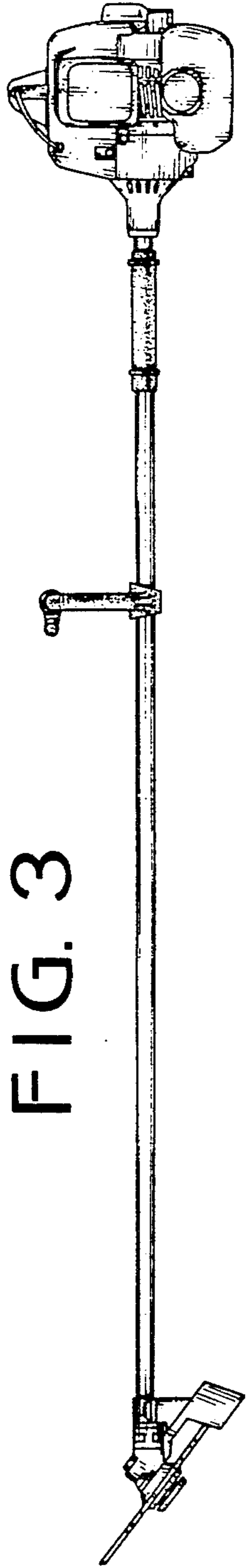


FIG. 3

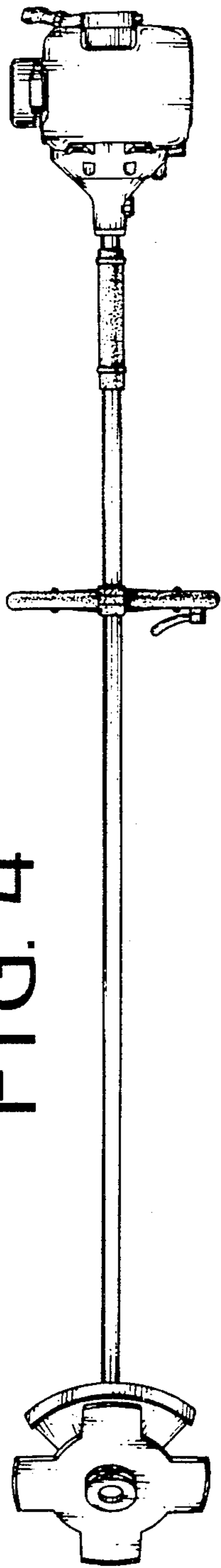


FIG. 4

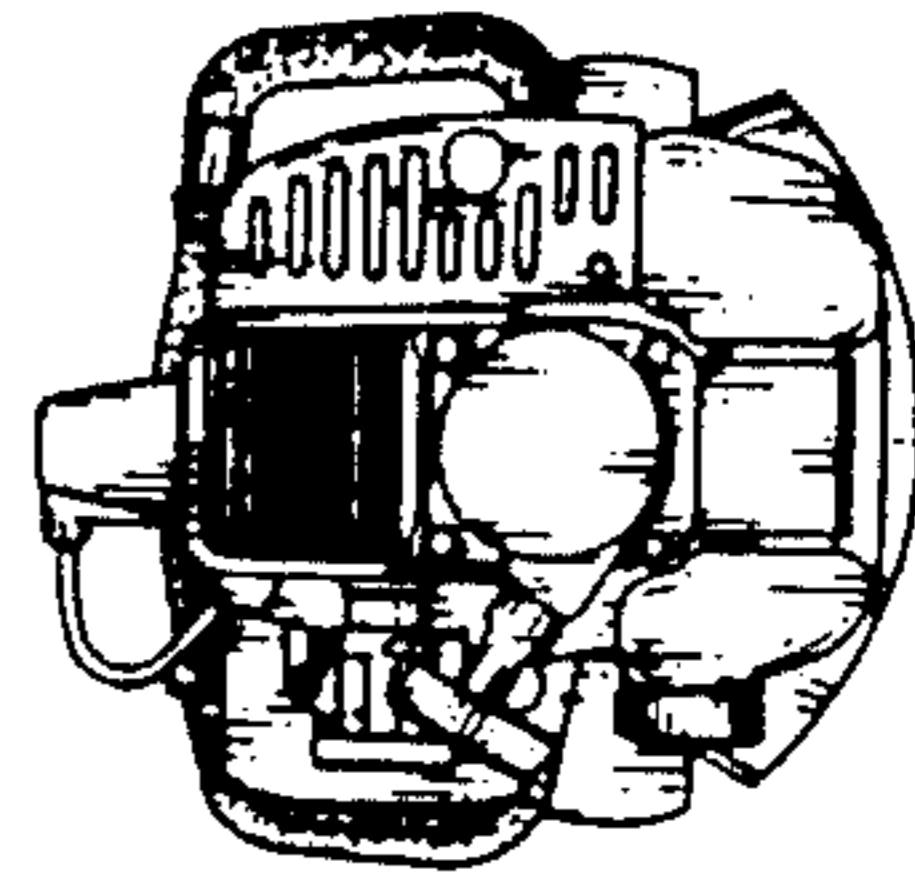


FIG. 5

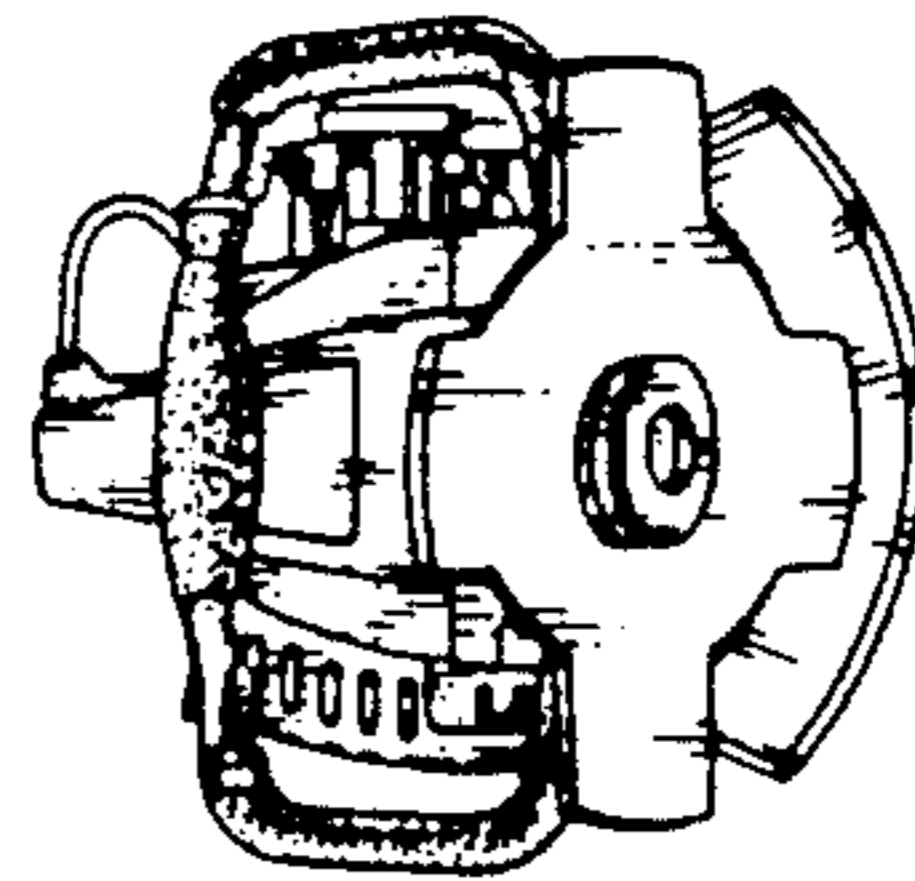


FIG. 6

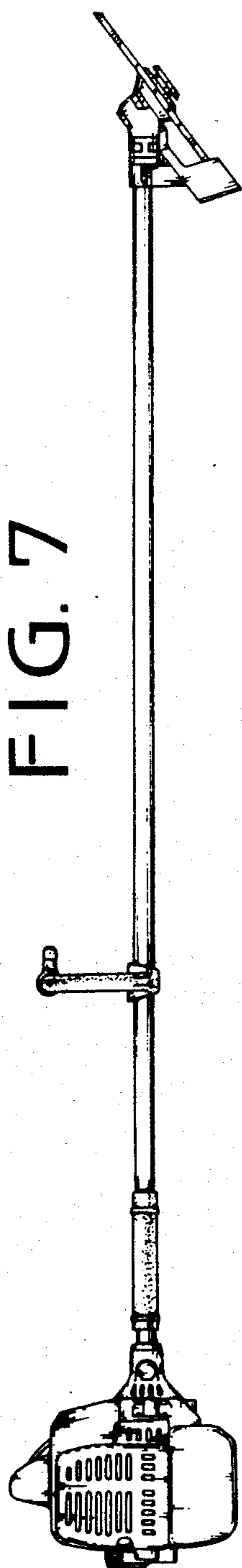


FIG. 7

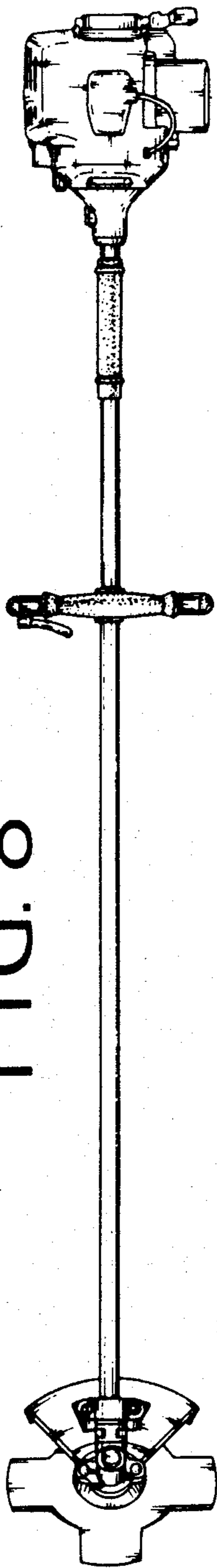


FIG. 8



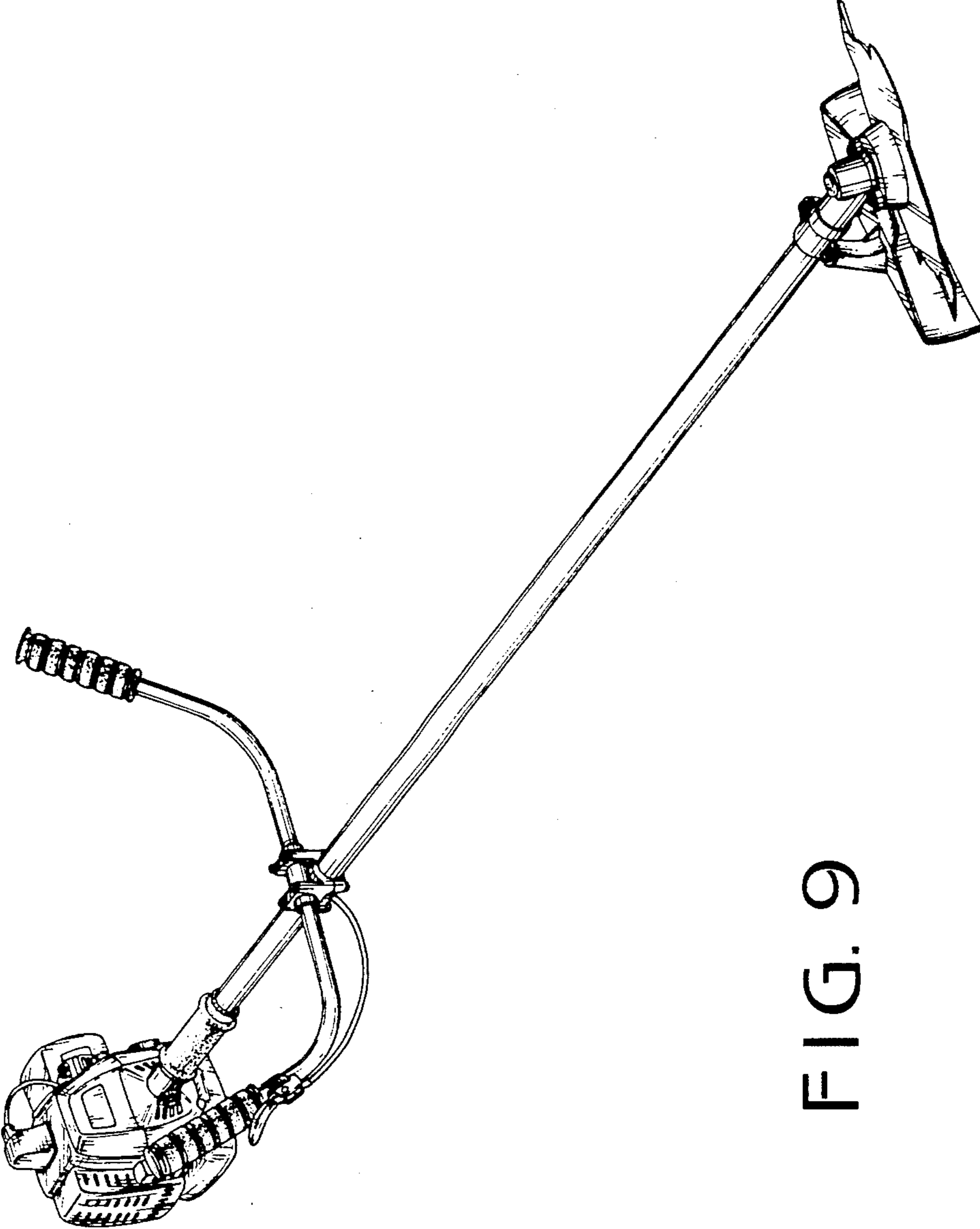


FIG. 9