

[54] **PRINTER**

[75] **Inventors:** Yasuo Nagamatsu; Masaharu Sakamoto; Toshiya Moriyama; Isshin Miyamoto, all of Fukuoka, Japan

[73] **Assignee:** Matsushita Electric Industrial Co., Ltd., Osaka, Japan

[**] **Term:** 14 Years

[21] **Appl. No.:** 627,692

[22] **Filed:** Jul. 3, 1984

[52] **U.S. Cl.** D14/111

[58] **Field of Search** D14/100, 107, 114, 111; D18/13, 22, 23; 400/690.1, 691, 693

[56] **References Cited**

U.S. PATENT DOCUMENTS

D. 276,725 12/1984 Izaki D14/111

OTHER PUBLICATIONS

Computer Design, 5-1978, p. 105, Qume Printer, bottom, left.

Computer Design, 5-1983, p. 136, Thermal Printer. Sharp publication, Color Image Printer.

Byte, The Small Systems Journal, 1983 Nov., vol. 8, No. 11, pp. 376 and 461.

"What Micro", 1983 Jun. p. 184.

Primary Examiner—Susan J. Lucas

Attorney, Agent, or Firm—Sughrue, Mion, Zinn, Macpeak, and Seas

[57] **CLAIM**

The ornamental design for a printer, as shown.

DESCRIPTION

FIG. 1 is a front, top and right side perspective view of a printer showing our new design;

FIG. 2 is a rear, bottom and left side perspective view thereof; and

FIG. 3 is top plan view thereof.

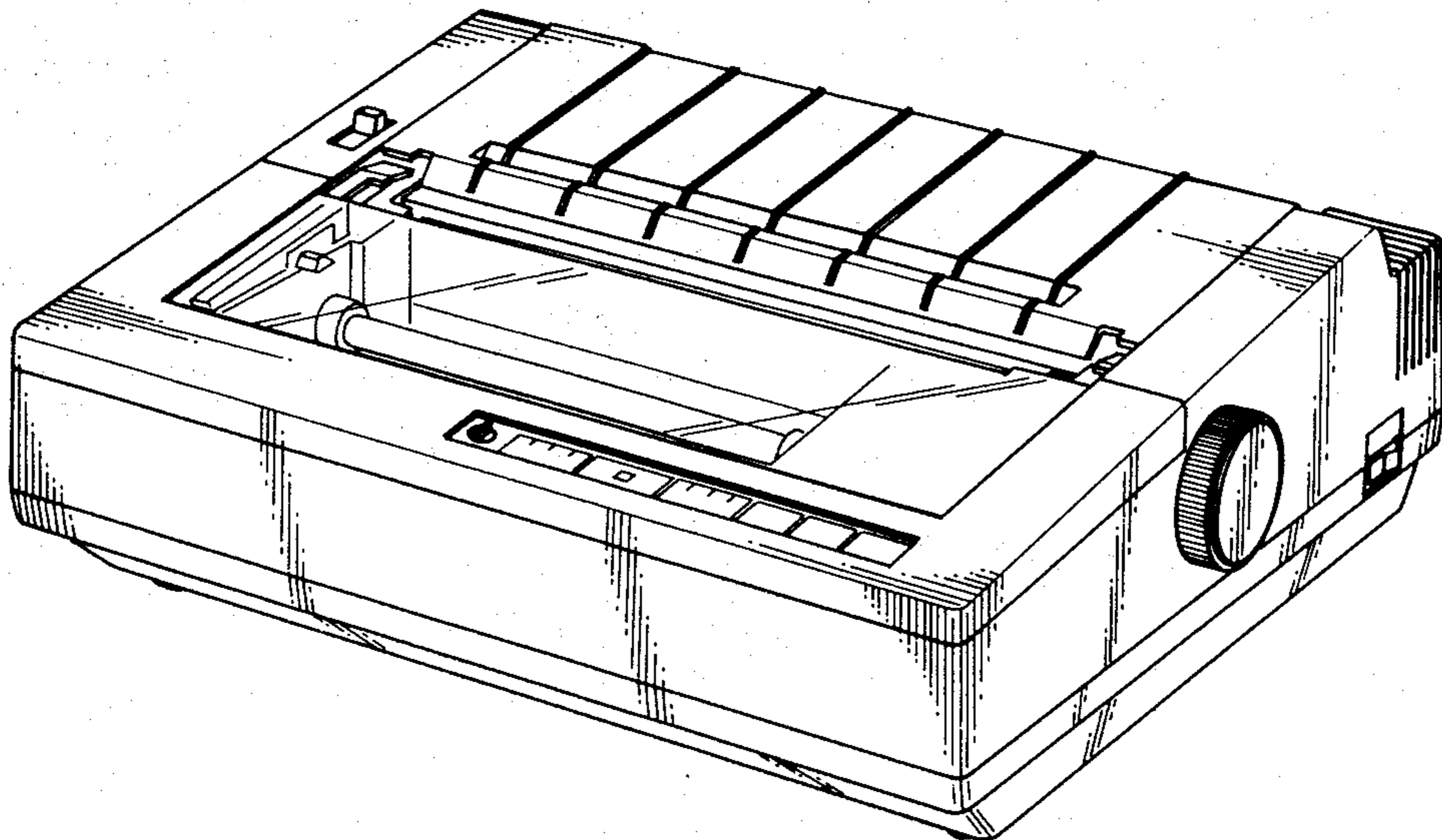


Fig. 1

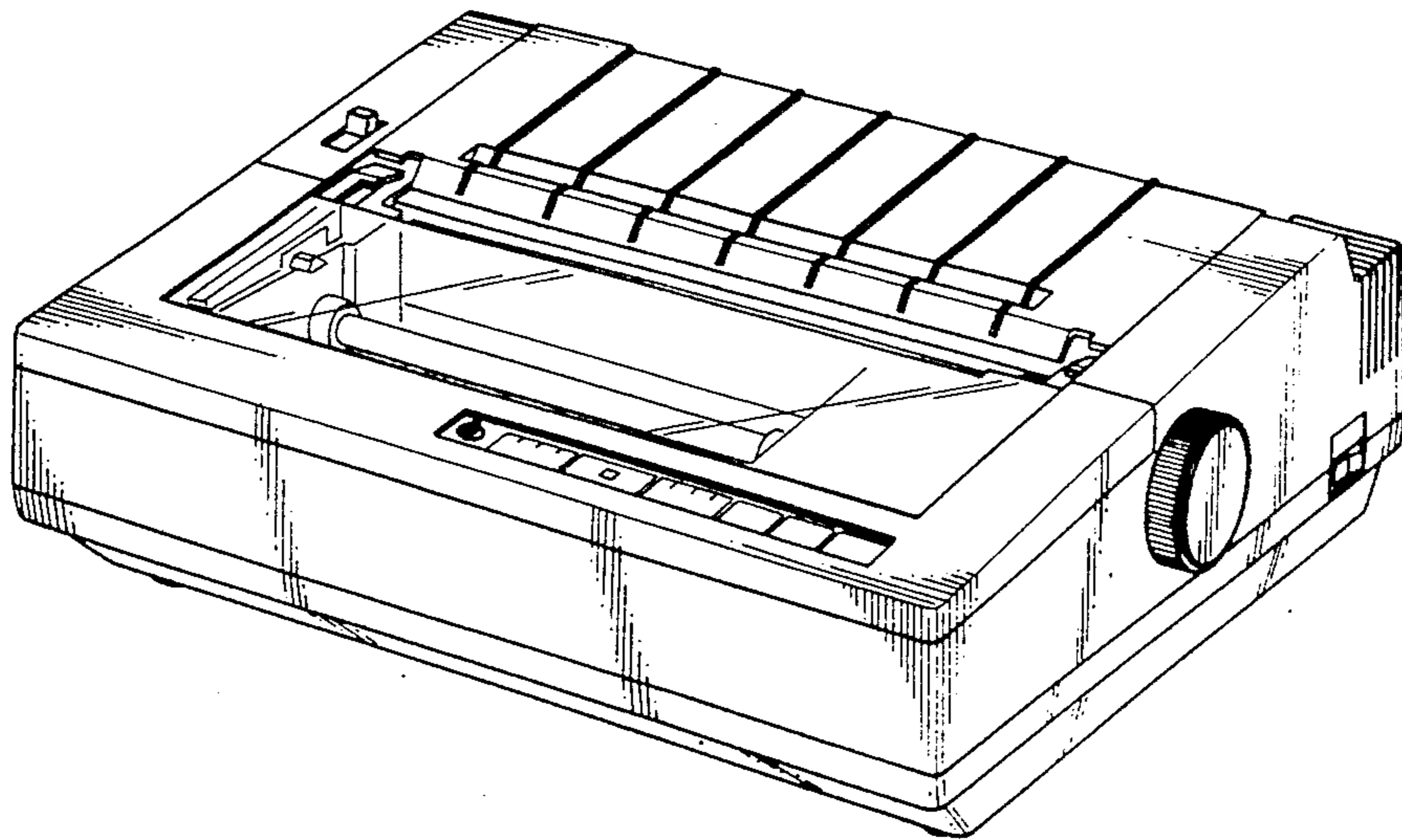


Fig. 2

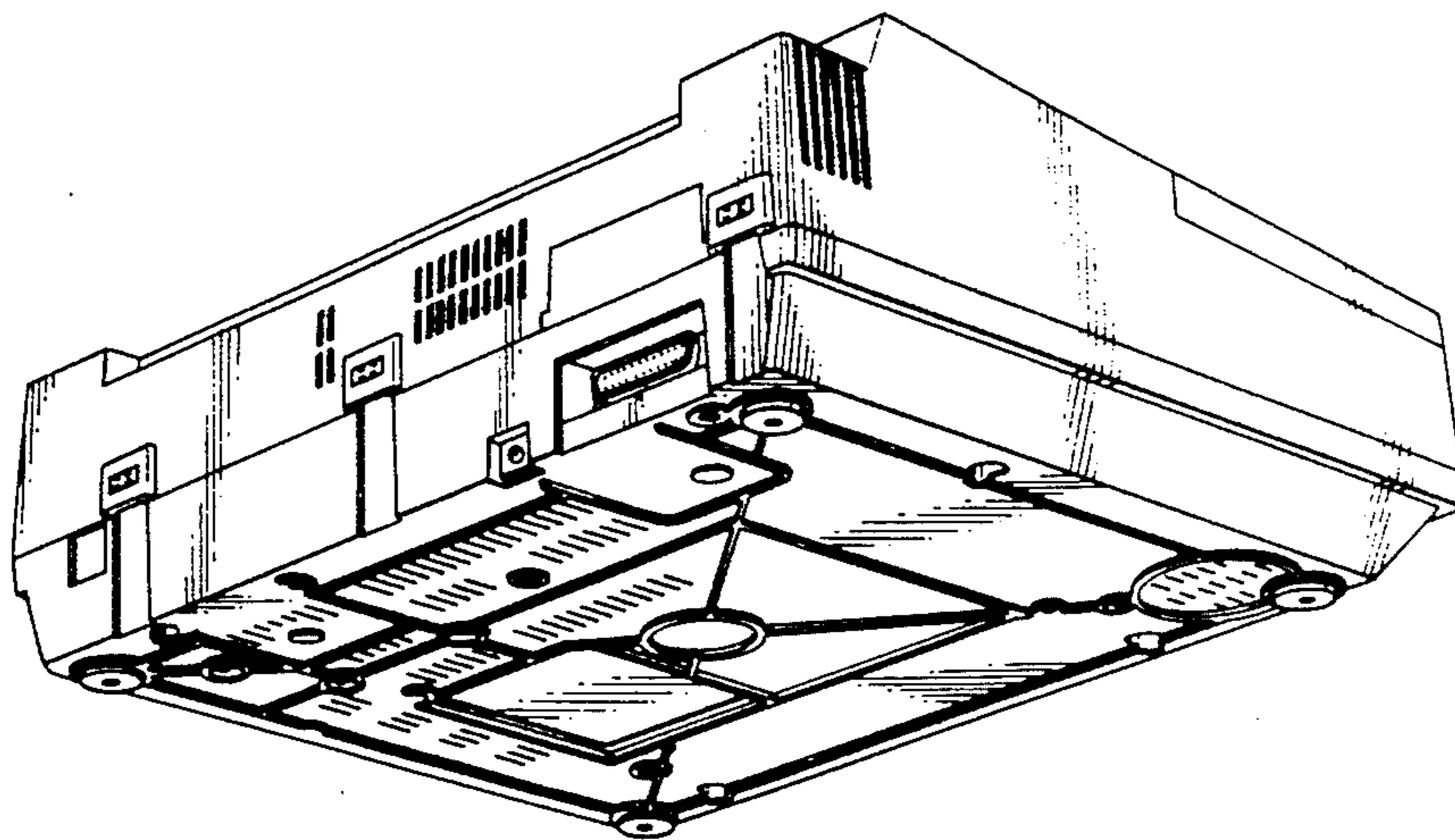


Fig. 3

