

[54] **KEYBOARD STAND FOR A TELEPHONE
HANDSET TRANSCEIVER**

[75] Inventor: **Albert L. Nagele, Wilmette, Ill.**

[73] Assignee: **Motorola, Inc., Schaumburg, Ill.**

[**] Term: **14 Years**

[21] Appl. No.: **734,361**

[22] Filed: **May 14, 1985**

[52] U.S. Cl. **D14/62; D14/58**

[58] Field of Search **D14/53, 58, 62, 60,
D14/101, 102; 179/179, 100 R, 100 D, 100 C,
100 L**

- D. 275,954 10/1984 Gibson D14/101
- D. 277,478 2/1985 Foggia et al. D14/58
- D. 282,545 2/1986 Inagi et al. D14/62 X
- D. 283,620 4/1986 Aguilar et al. D14/62
- D. 284,079 6/1986 Kita et al. D14/53 X
- D. 284,190 6/1986 Ando et al. D14/58

Primary Examiner—Wallace R. Burke
Assistant Examiner—Horace B. Fay
Attorney, Agent, or Firm—Steven G. Parmelee

[57] **CLAIM**

The ornamental design for a keyboard stand for a telephone handset transceiver, as shown and described.

DESCRIPTION

FIG. 1 is a left side, top and front perspective view of a keyboard stand for a telephone handset transceiver showing my new design;

FIG. 2 is a left right side elevational view thereof;

FIG. 3 is a rear elevational view thereof;

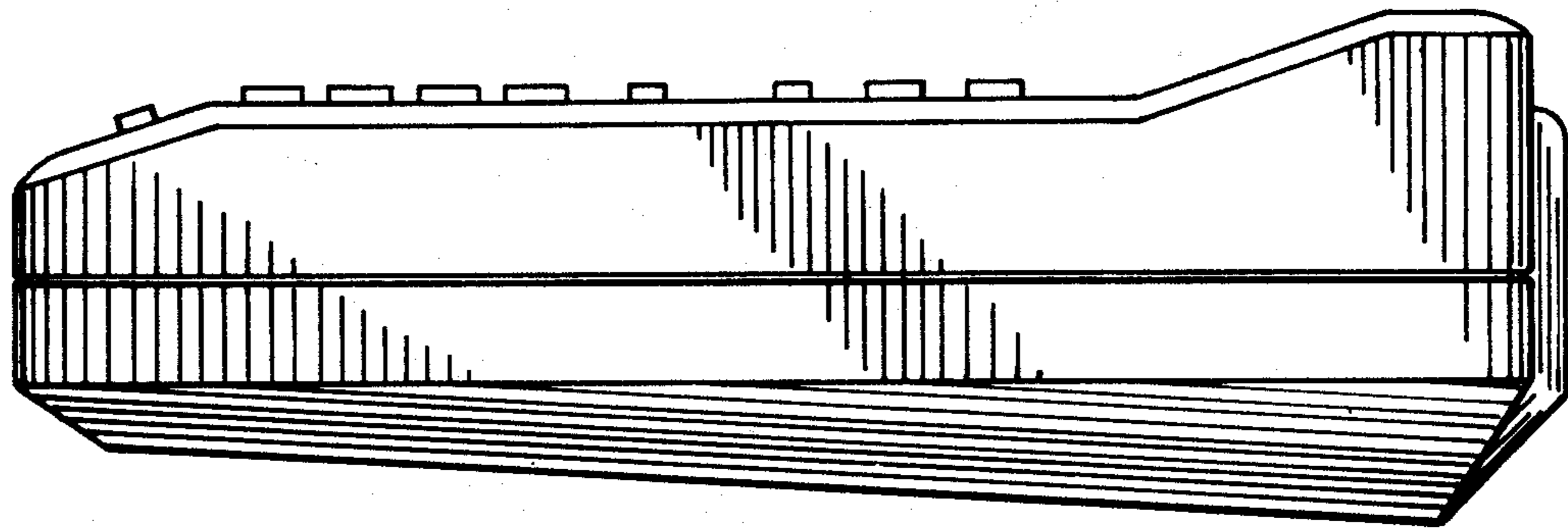
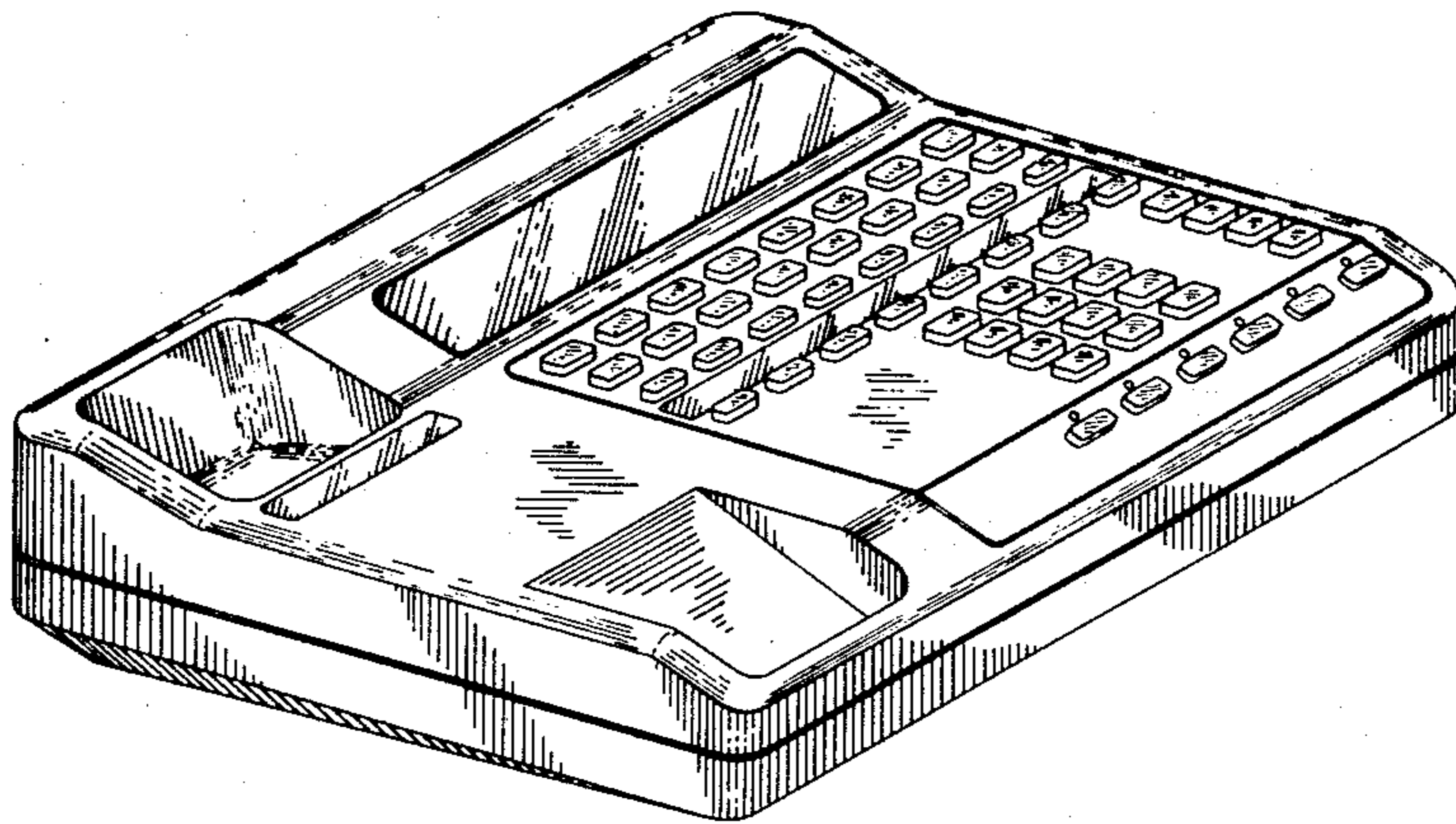
FIG. 4 is a bottom plan view thereof; and

FIG. 5 is a left side, top and front perspective view of a second embodiment thereof, the only difference from the first embodiment being in the arrangement of the keyboard pattern.

[56] **References Cited**

U.S. PATENT DOCUMENTS

- D. 246,043 10/1977 Taylor D14/53
- D. 246,103 10/1977 Taylor D14/53
- D. 251,843 5/1979 Knoll et al. D14/58
- D. 260,518 9/1981 Larson D14/53
- D. 266,512 10/1982 Fubershaw et al. D14/58 X
- D. 274,515 7/1984 Kraemar D14/58
- D. 275,951 10/1984 Taylor D14/60



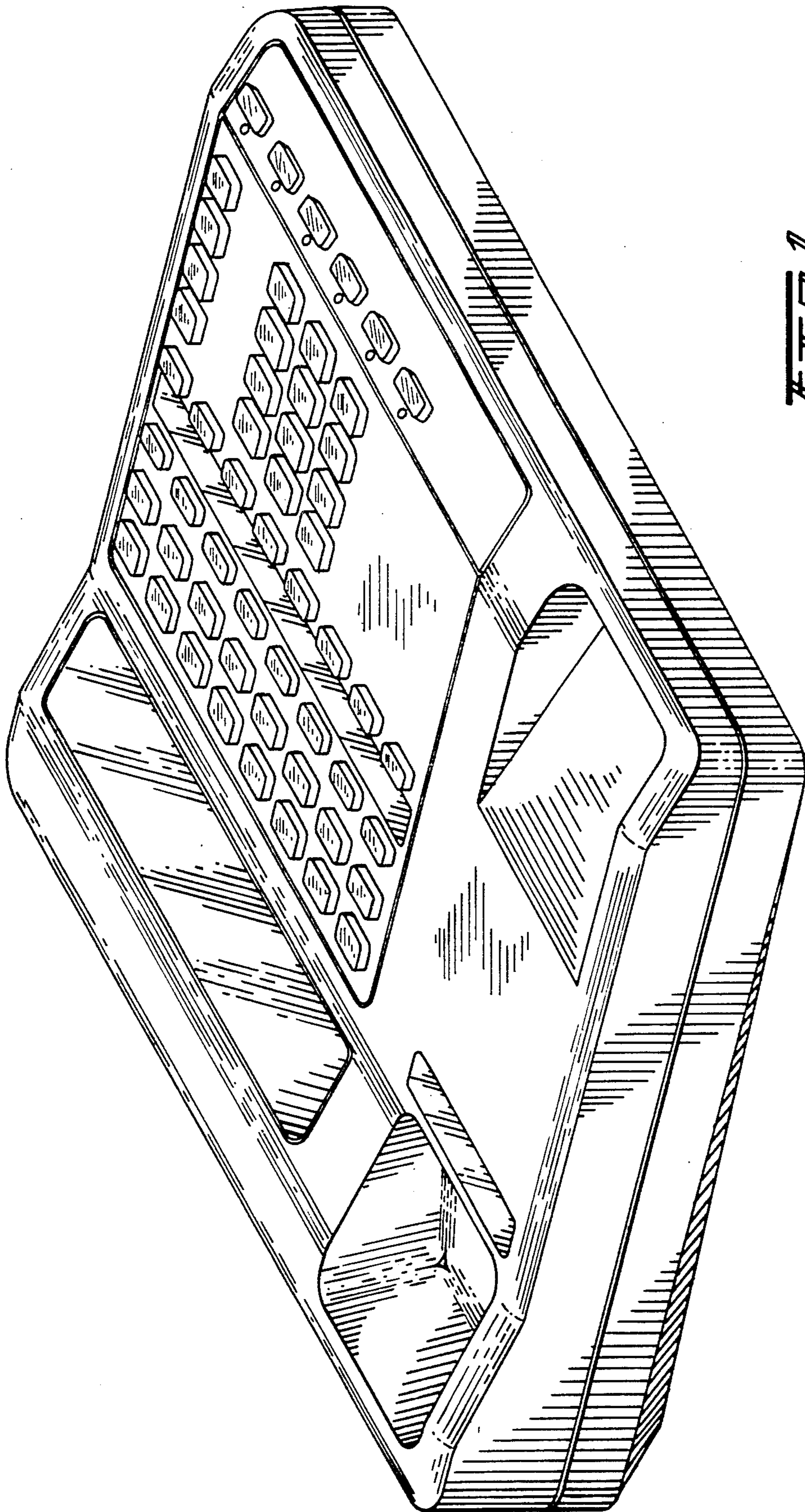


FIG. 1

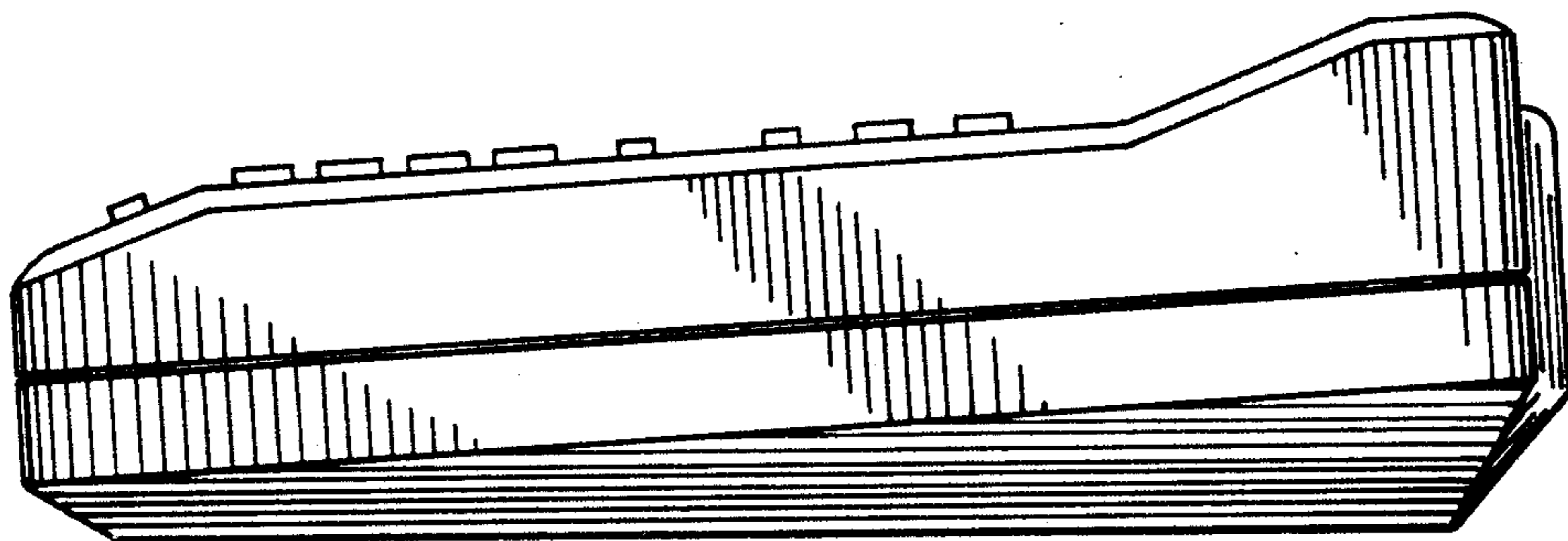


FIG. 2

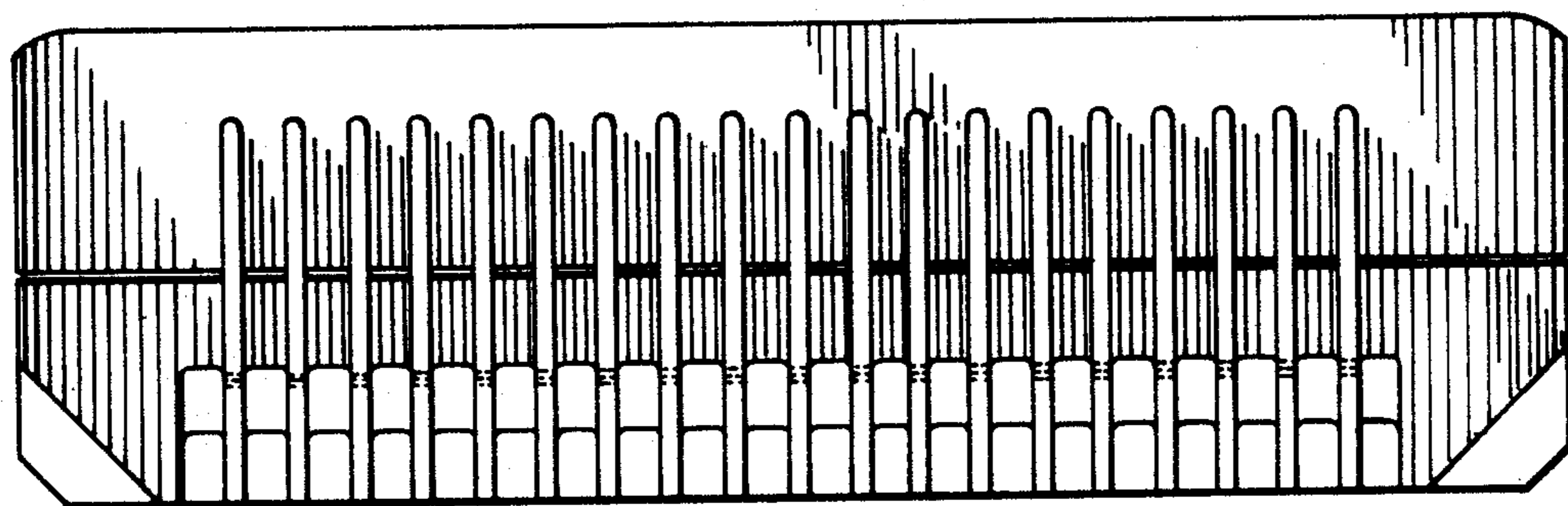


FIG. 3

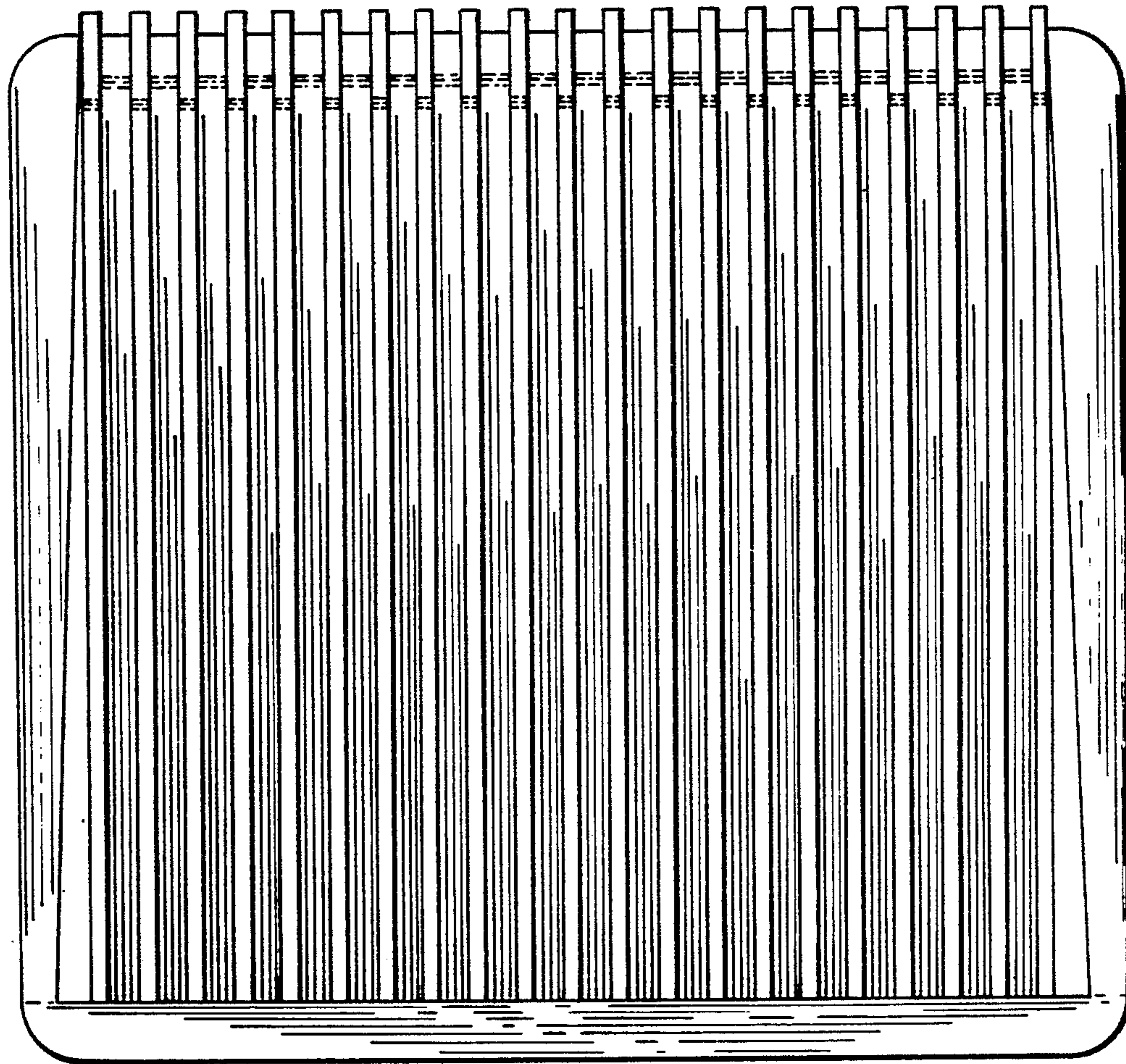
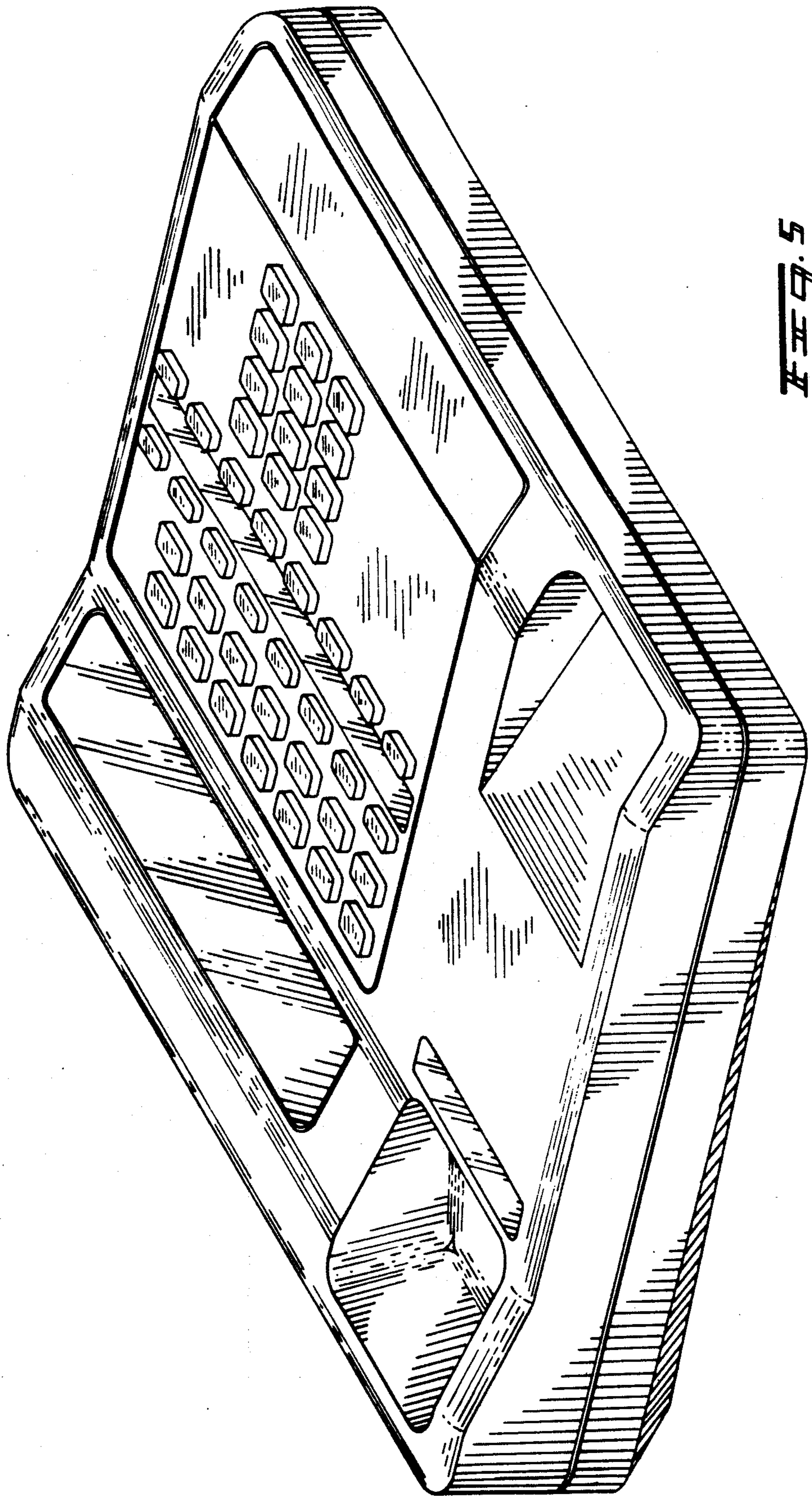


FIG. 4



5
FIG. 5