

[54] COMBINED EIGHT CONDUCTOR MODULAR PLUG AND TEST ADAPTER

[75] Inventor: Robert H. Knickerbocker, Cheshire, Conn.

[73] Assignee: The Siemon Company, Watertown, Conn.

[**] Term: 14 Years

[21] Appl. No.: 634,748

[22] Filed: Jul. 26, 1984

[52] U.S. Cl. D13/28; D13/24

[58] Field of Search D13/24-26, D13/28-31; 339/154 R, 154 A, 155 R, 156 R, 91 R

[56] References Cited

U.S. PATENT DOCUMENTS

3,860,316	1/1975	Hardesty	339/91 R
4,047,787	9/1977	Gumb et al.	339/154 A
4,295,702	10/1981	Snyder	339/154 R X
4,406,509	9/1983	Jagen	339/91 R
4,583,799	4/1986	Wiley	339/154 A X

FOREIGN PATENT DOCUMENTS

0138089 12/1978 Japan 339/154 A

OTHER PUBLICATIONS

Harris Corp. "Modular Adapter Part No. 1011-00"--Photocopy Submitted by Applicant 7-25-1984.

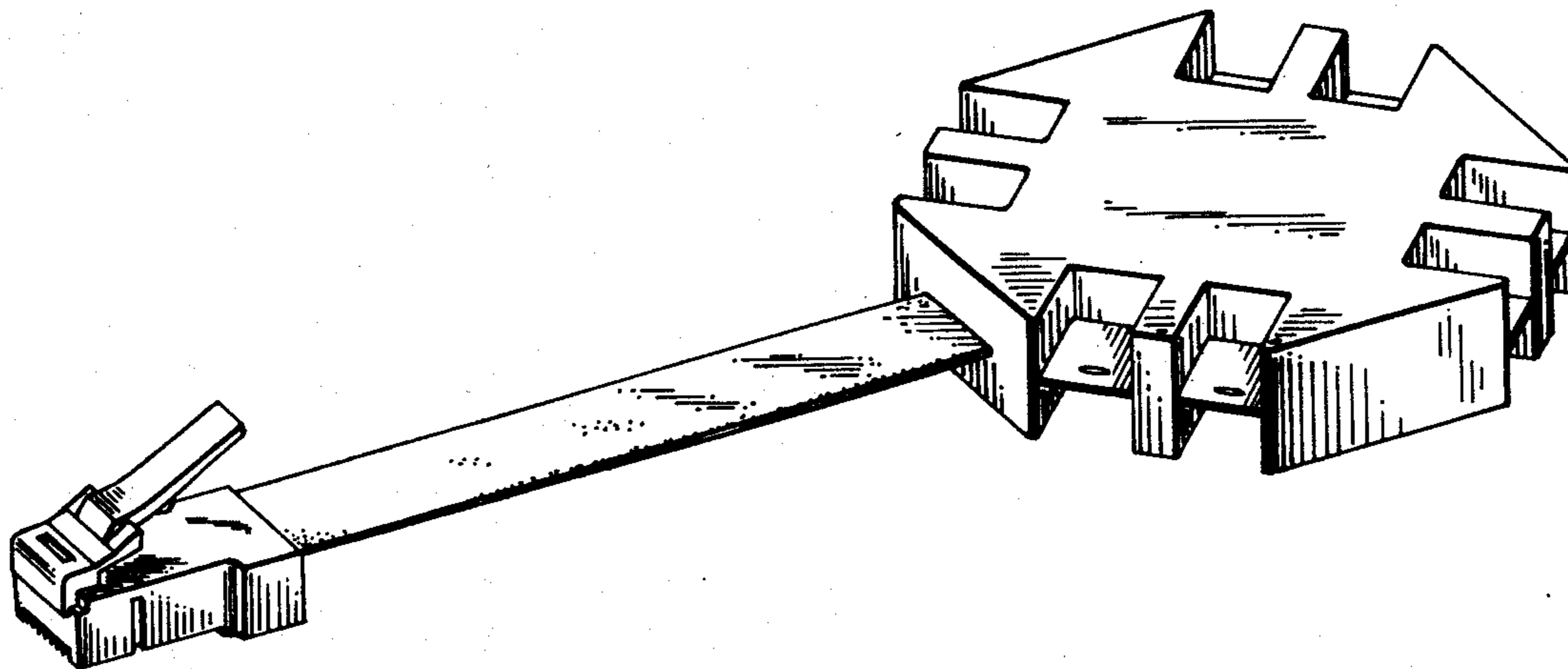
Primary Examiner—Susan J. Lucas
Assistant Examiner—C. E. Heflin
Attorney, Agent, or Firm—Fishman & Dionne

[57] CLAIM

The ornamental design for a combined eight conductor modular plug and test adapter, substantially as shown and described.

DESCRIPTION

FIG. 1 is a perspective view of the combined eight conductor modular plug and test adapter showing my new design;
FIG. 2 is a fragmentary top plan view thereof with the plug portion being omitted for ease of illustration;
FIG. 3 is a sectional view thereof taken along line 3—3 of FIG. 2;
FIG. 4 is a sectional view thereof taken along line 4—4 of FIG. 2;
FIG. 5 is a bottom plan view thereof with the connecting lead shown broken away for ease of illustration.



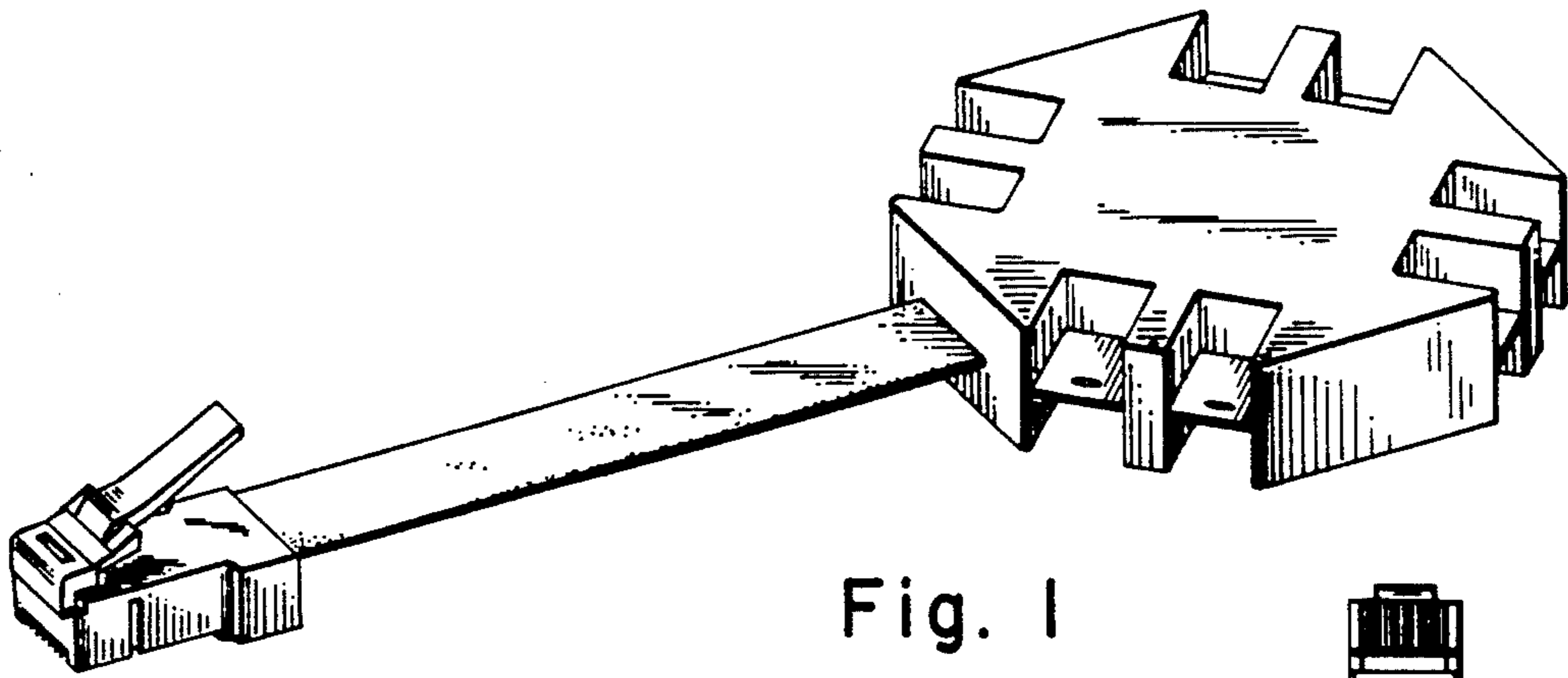


Fig. 1

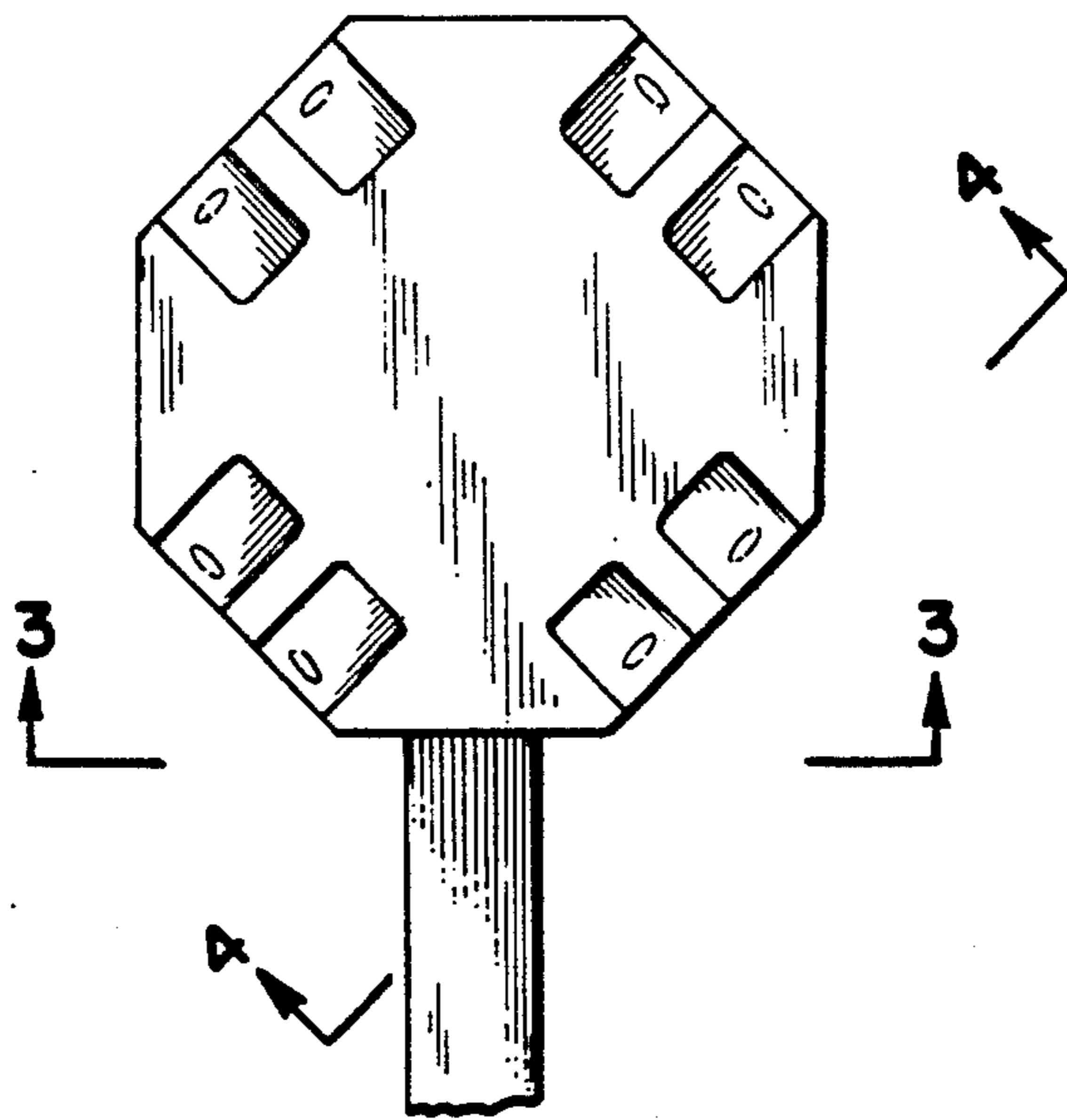


Fig. 2

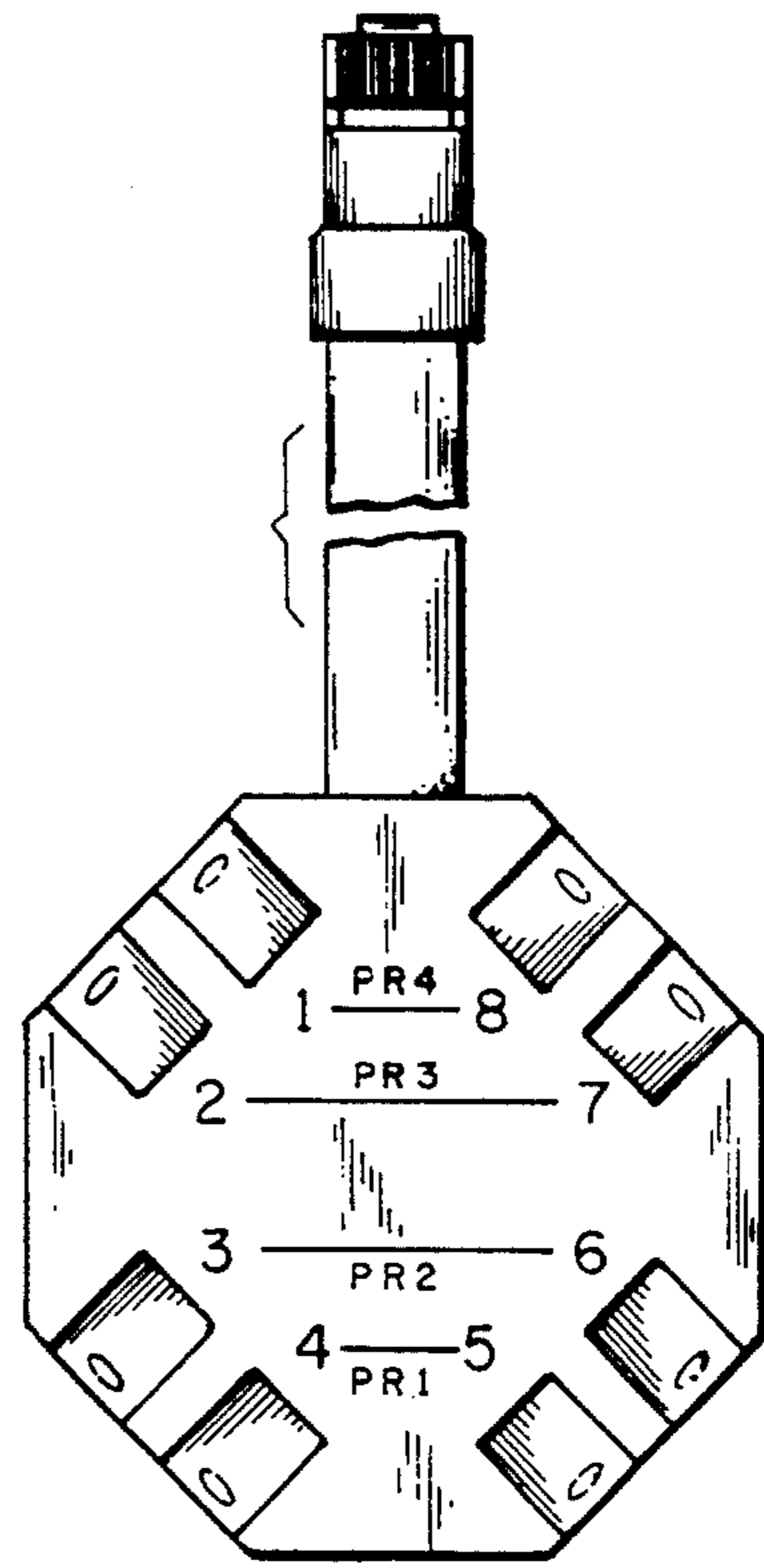


Fig. 5



Fig. 3



Fig. 4