

[54] POLLUTION CONTROL VESSEL

[76] Inventor: Mary J. Caddick, 74 Winifred Lane, Aughton, Ormskirk, Lancashire L39 5DL, England

[\*\*] Term: 14 Years

[21] Appl. No.: 695,468

[22] Filed: Jan. 28, 1985

[52] U.S. Cl. .... D12/300; D12/309

[58] Field of Search ..... D12/300, 314, 311, 310, D12/313, 309; 114/355, 357, 283, 56, 57, 290; 210/242.1

[56] References Cited

U.S. PATENT DOCUMENTS

1,316,762	9/1919	Bigelow	.....	114/290
3,326,379	6/1967	Caddick	.....	210/242.1
4,120,793	10/1978	Strain	.....	210/242.1
4,551,244	11/1985	Inoue	.....	210/242.1

Primary Examiner—James M. Gandy  
Assistant Examiner—Kay H. Chin  
Attorney, Agent, or Firm—William E. Mouzavires

[57] CLAIM

The ornamental design for a pollution control vessel, substantially as shown and described.

DESCRIPTION

FIG. 1 is a side elevational view of a pollution control vessel showing my new design; FIG. 2 is a top plan view thereof; FIG. 3 is a bottom plan view thereof; FIG. 4 is a front end view thereof; and FIG. 5 is a rear end view thereof.

The side elevational view of the pollution control craft opposite the side shown in FIG. 1 is a mirror image of FIG. 1.

The dotted lines shown in FIG. 1 represent a canopy and a scoop and associated ram structure which form no part of my design being claimed herein.

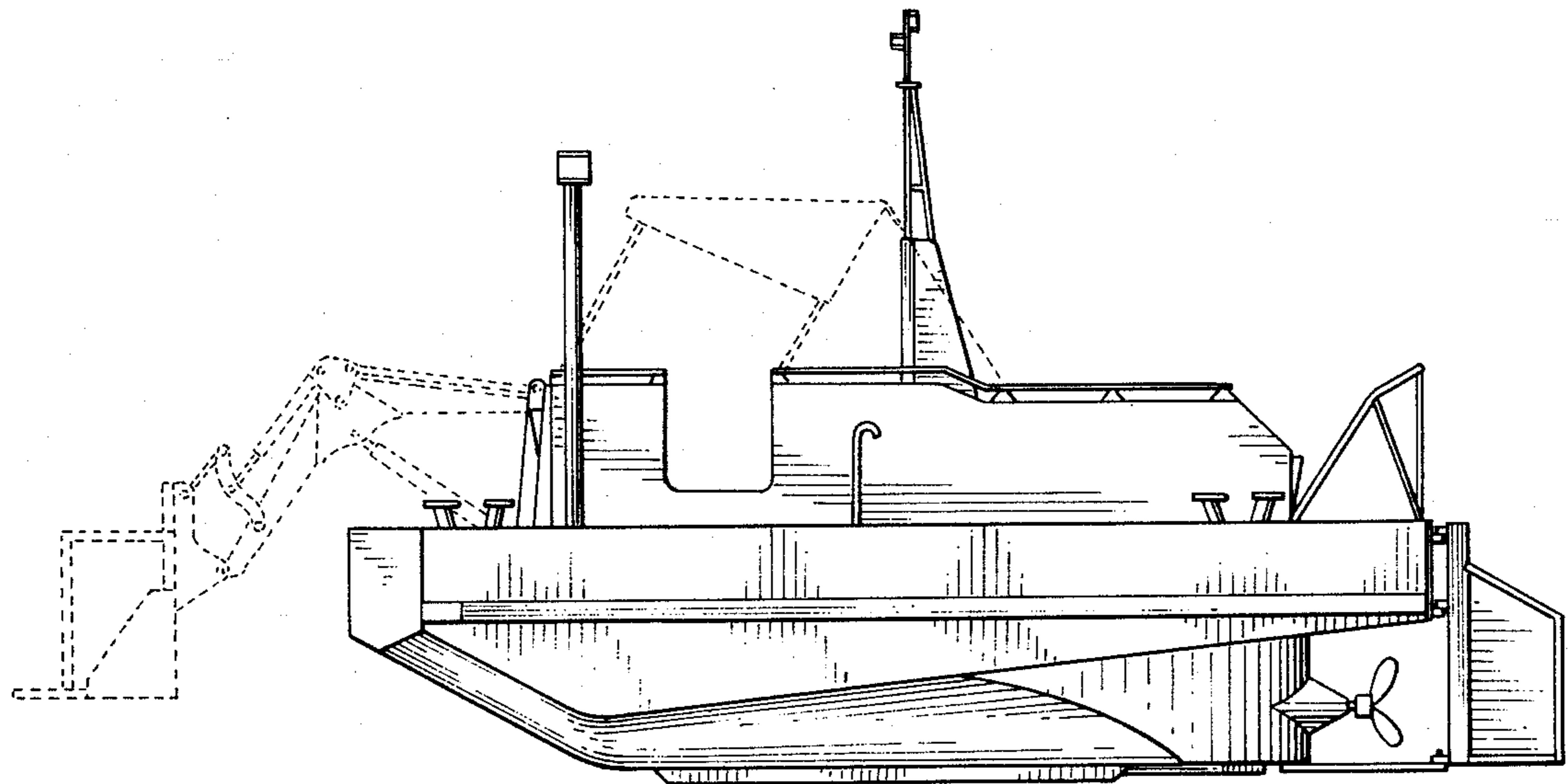


FIG. 1

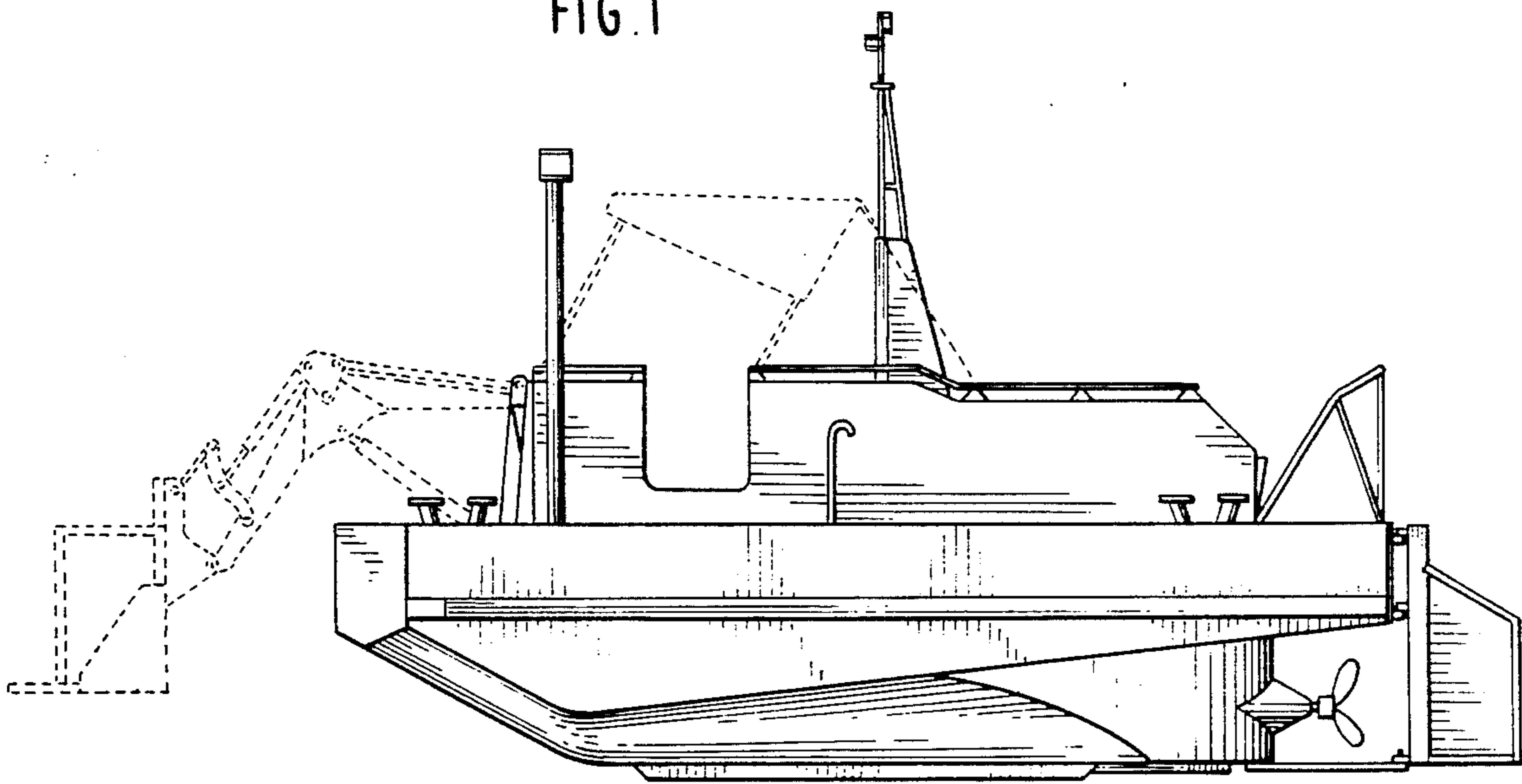


FIG. 2

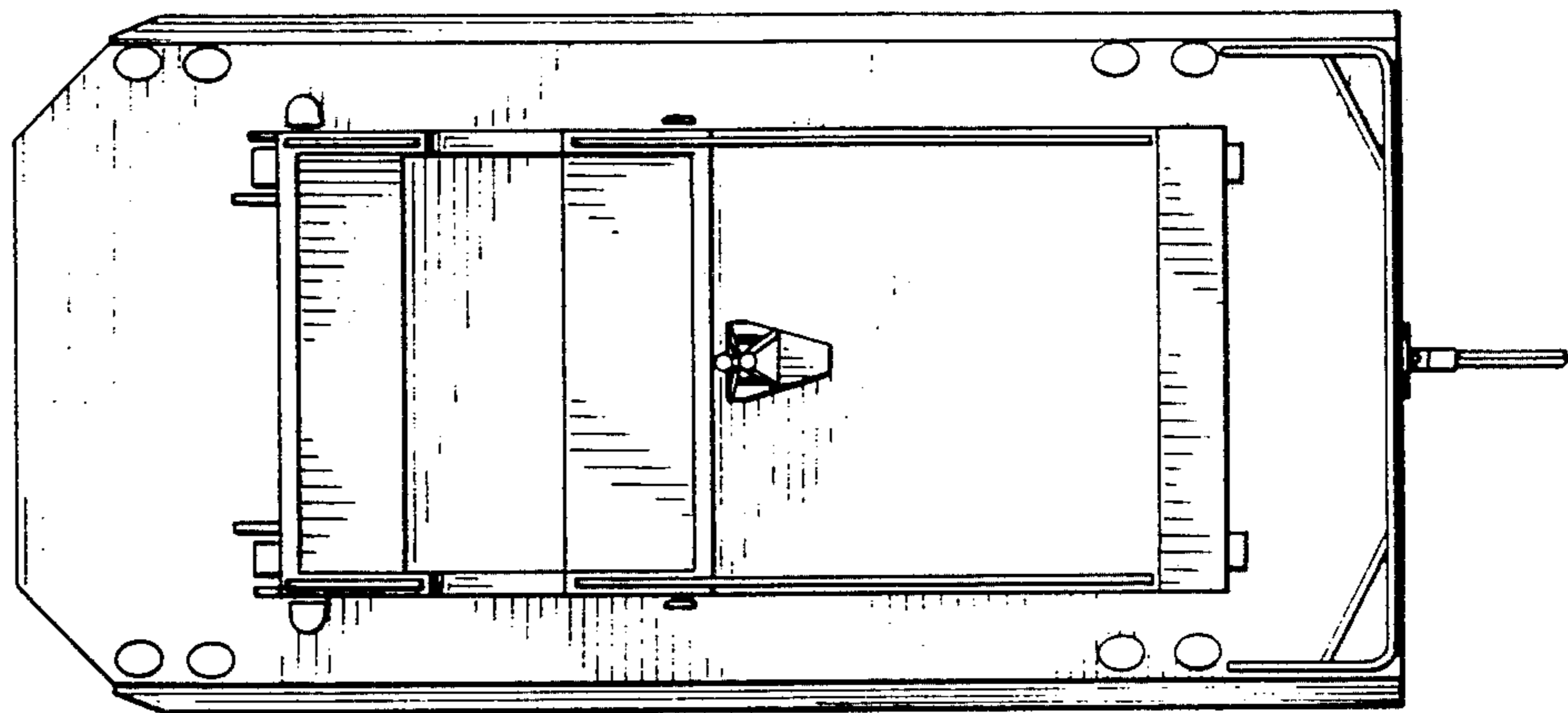


FIG. 3

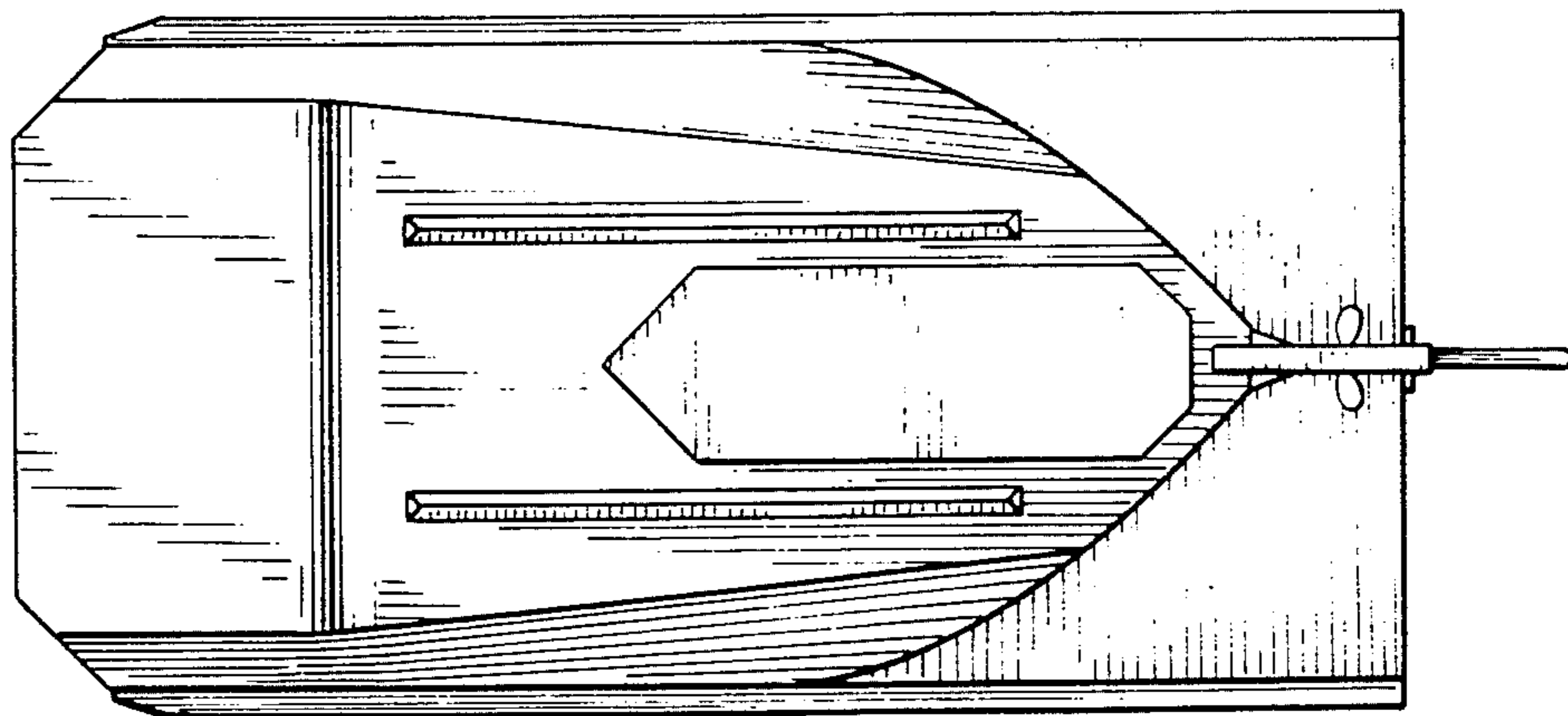


FIG. 5

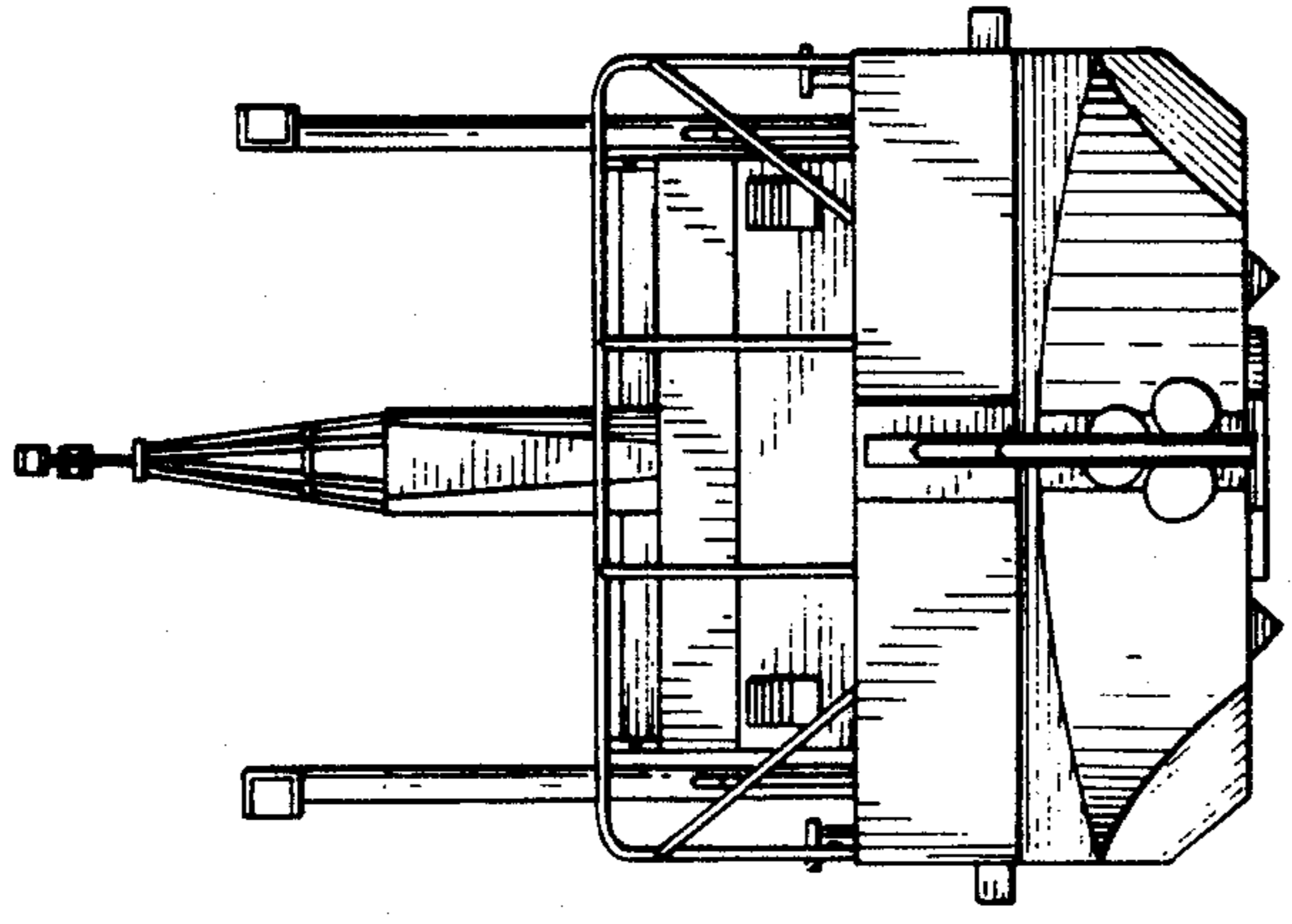


FIG. 4

