

[54] SWING DOOR FOR A GLOVE COMPARTMENT OF AN AUTOMOBILE

[75] Inventors: Carl-Olof B. Berglöf, Trollhättan; Erik Sörum, Kungälv, both of Sweden

[73] Assignee: Saab-Scania Aktiebolag, Trollhättan, Sweden

[**] Term: 14 Years

[21] Appl. No.: 649,416

[22] Filed: Sep. 11, 1984

[30] Foreign Application Priority Data

Apr. 18, 1984 [SE] Sweden 84-1282
[52] U.S. Cl. D12/155
[58] Field of Search D12/155; D3/40; 296/37.12

[56] References Cited

U.S. PATENT DOCUMENTS

3,386,765 6/1968 Drach, Jr. 296/37.12
4,239,277 12/1980 Oda 296/37.12

FOREIGN PATENT DOCUMENTS

180340 10/1983 Japan 296/37.12

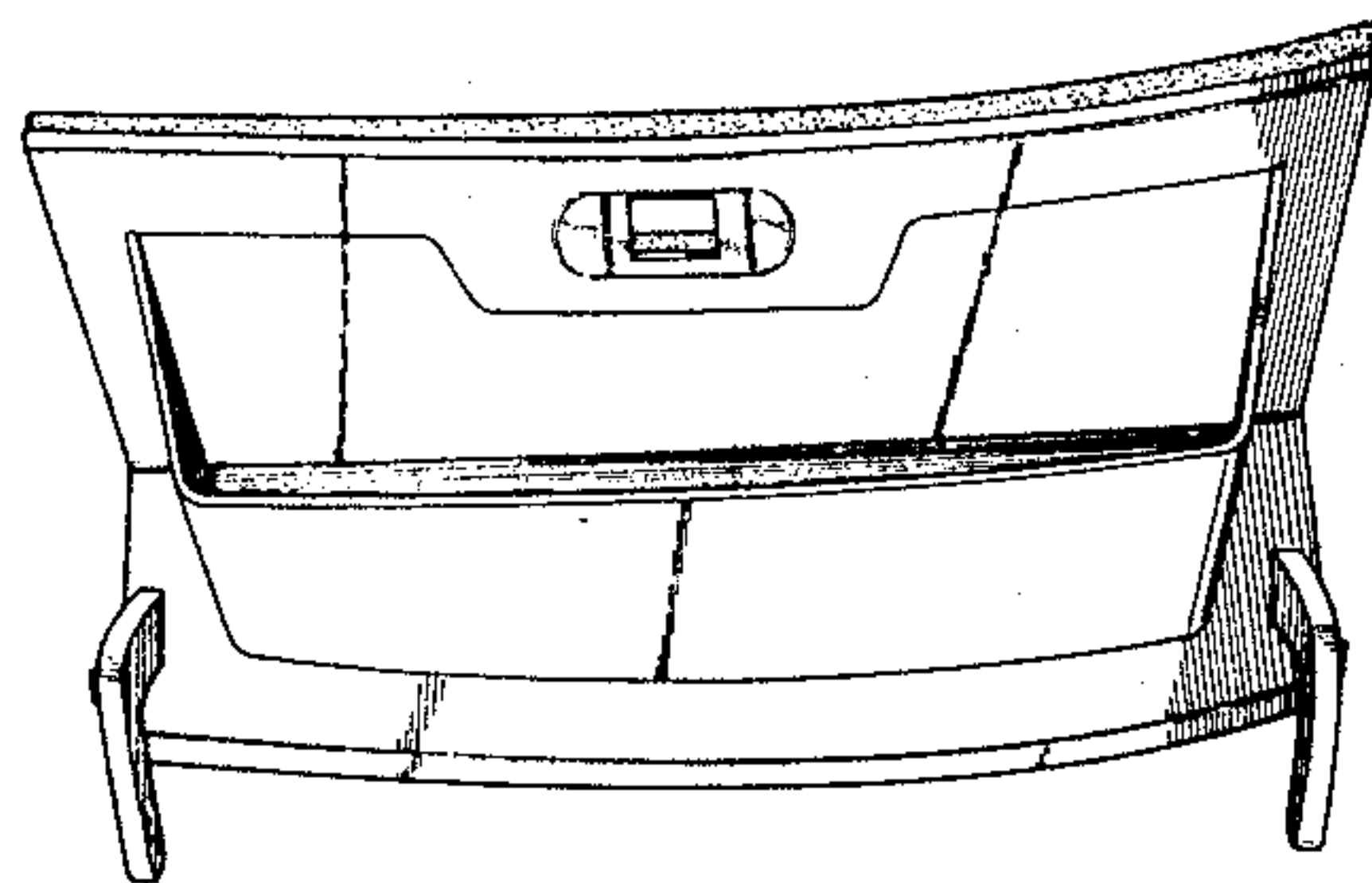
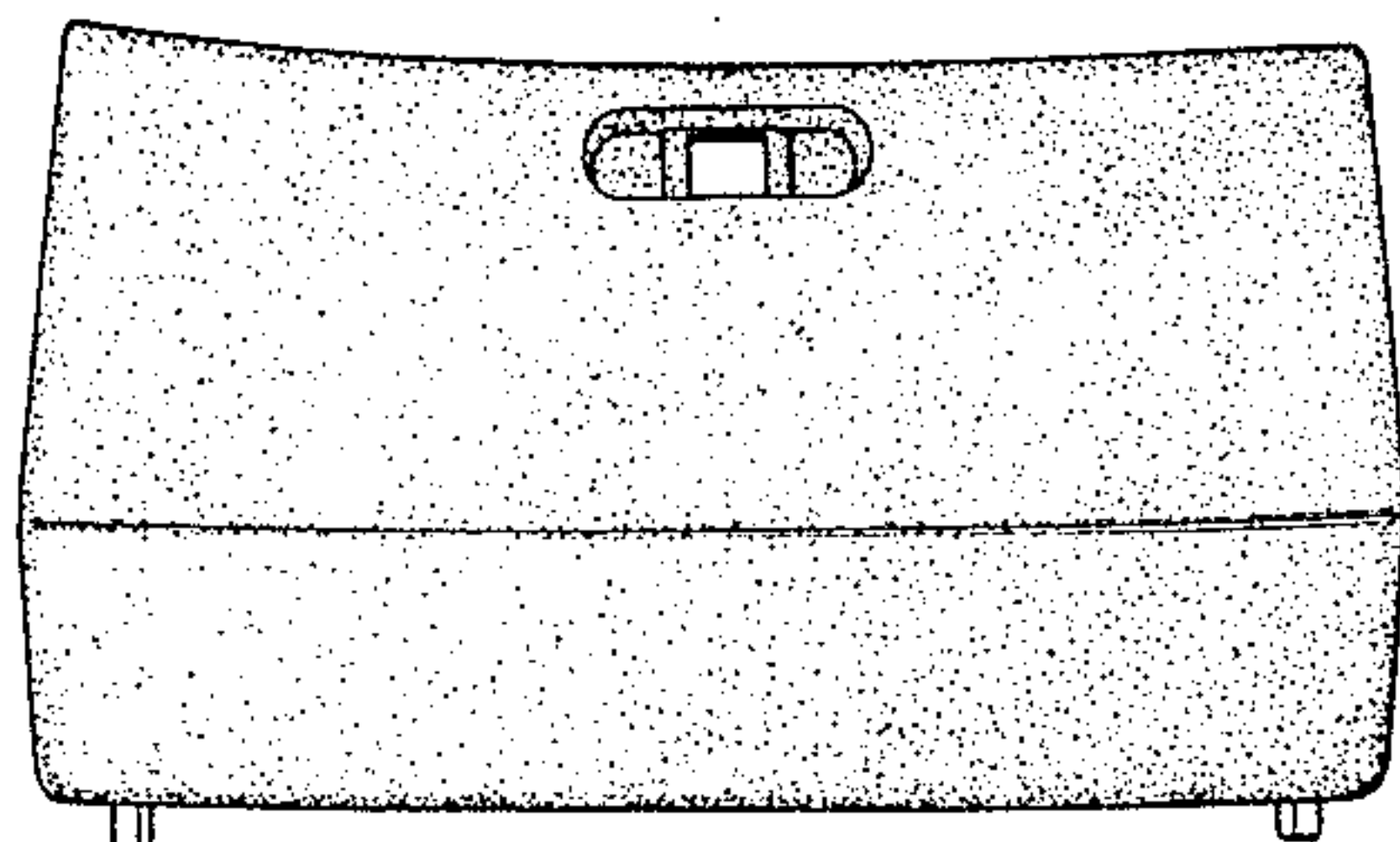
Primary Examiner—James M. Gandy
Attorney, Agent, or Firm—Young & Thompson

[57] CLAIM

The ornamental design for a swing door for a glove compartment of an automobile, as shown.

DESCRIPTION

FIG. 1 is a front elevational view of a swing door for a glove compartment of an automobile, showing our new design; FIG. 2 is a rear perspective view thereof; and FIG. 3 is a side perspective view thereof seen from the right of FIG. 2.



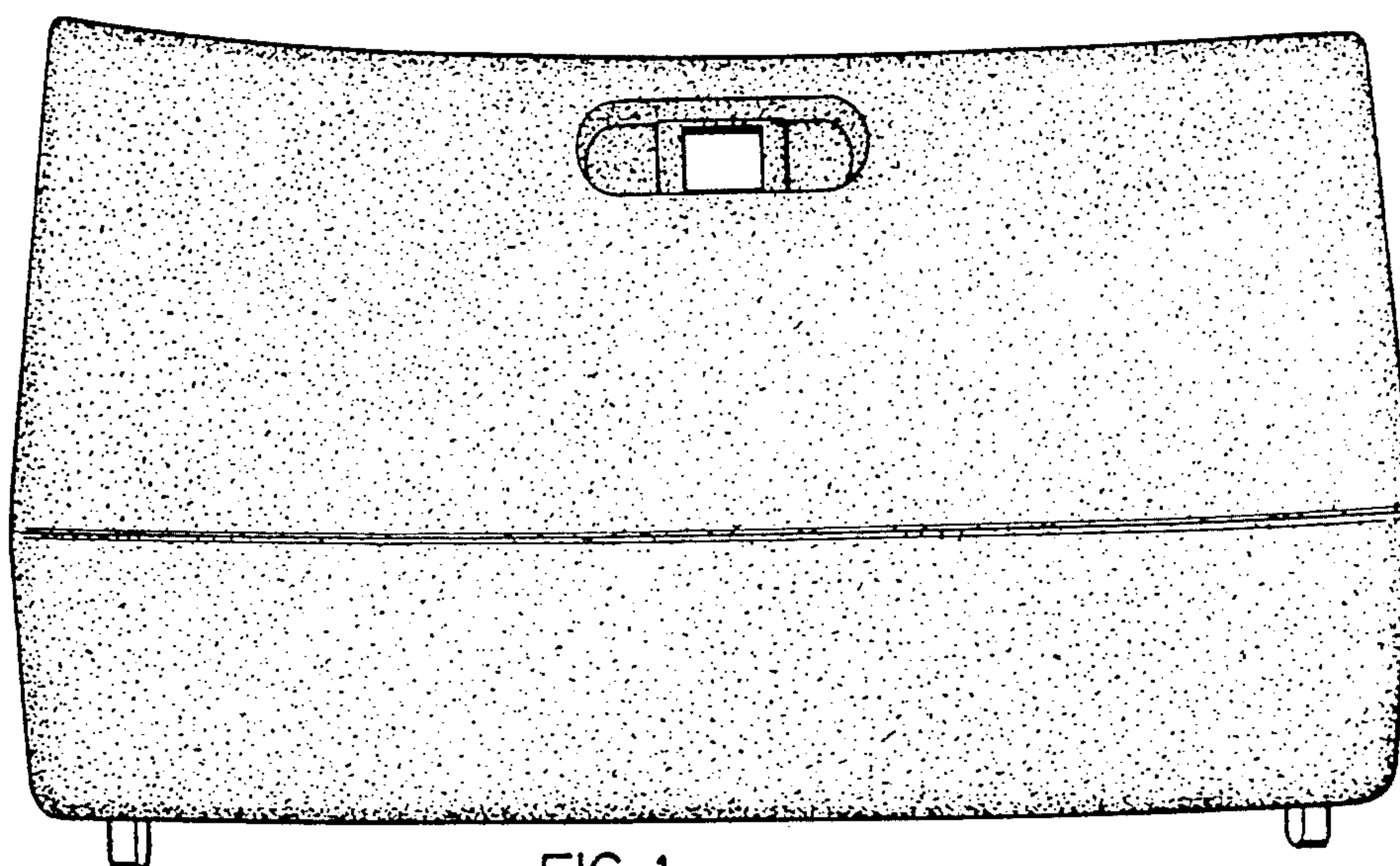


FIG. 1

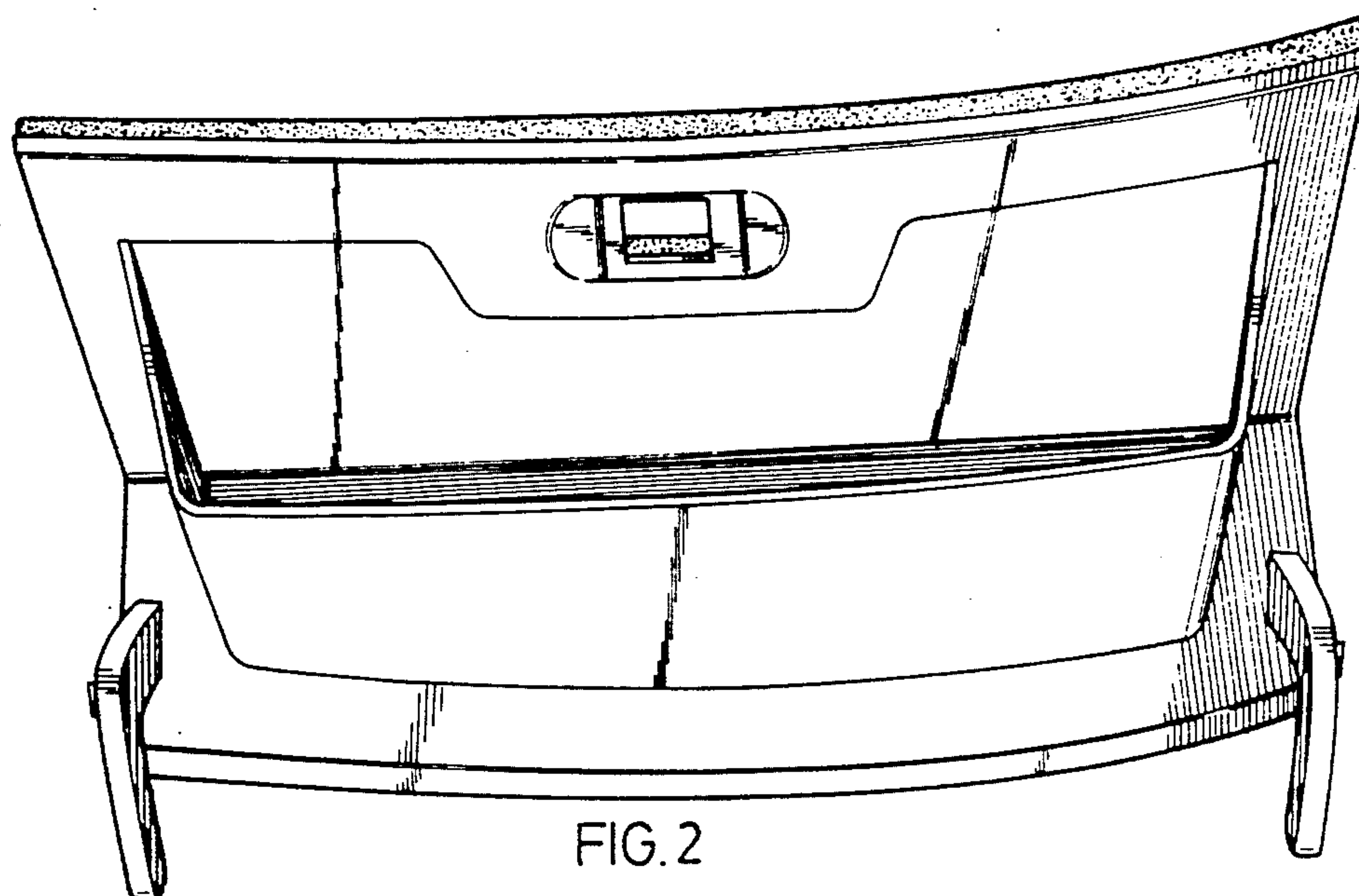


FIG. 2

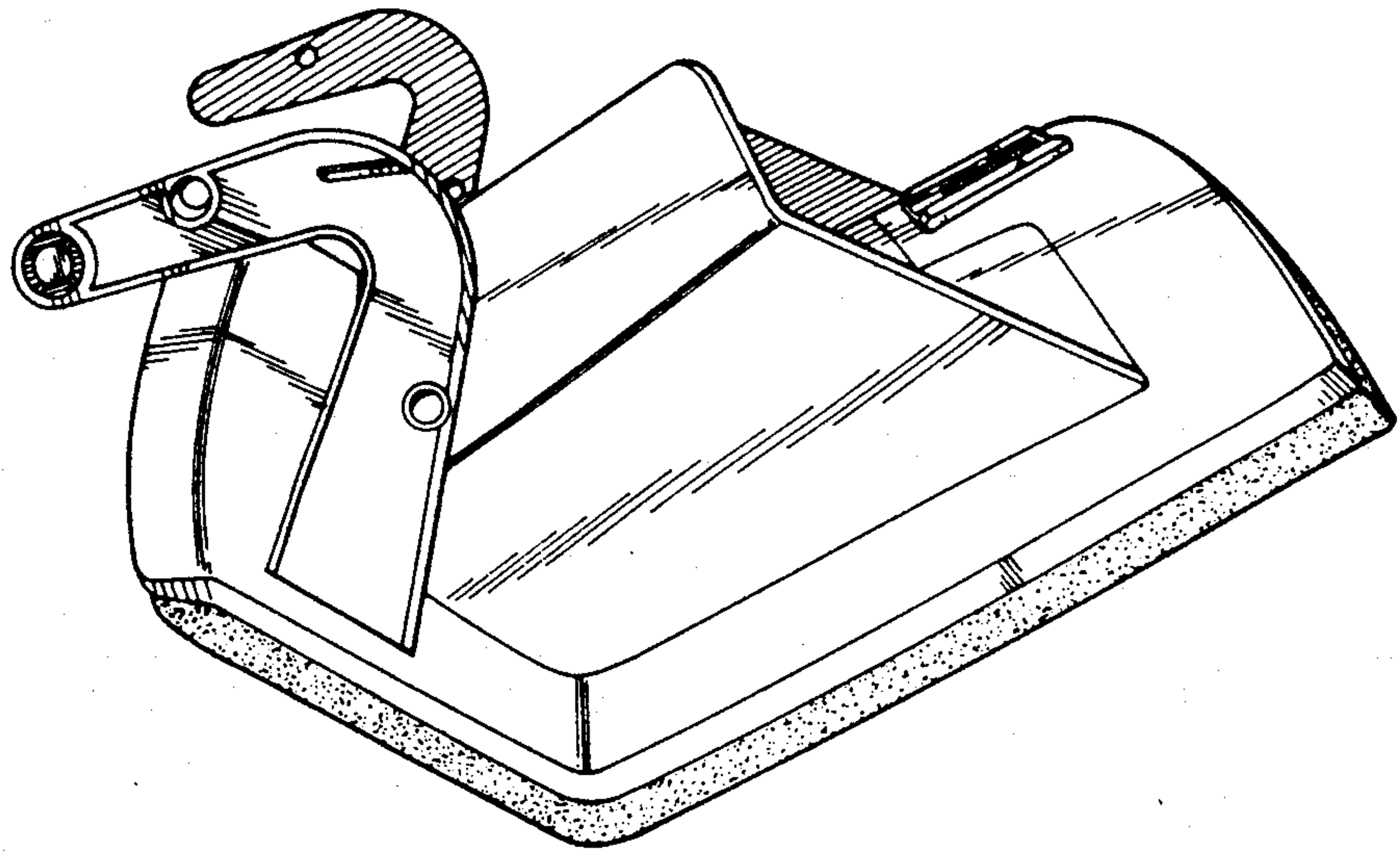


FIG. 3