

[54] WATCH CASE

[75] Inventor: Jun Komatsu, Kanagawa, Japan

[73] Assignee: Citizen Watch Co., Ltd., Tokyo, Japan

[\*\*] Term: 14 Years

[21] Appl. No.: 692,835

[22] Filed: Jan. 18, 1985

[30] Foreign Application Priority Data

Oct. 12, 1984 [JP] Japan ..... 59-42242

[52] U.S. Cl. .... D10/38; D10/30

[58] Field of Search ..... D10/30-40; 368/276, 277, 285, 280

[56] References Cited

U.S. PATENT DOCUMENTS

- D. 221,289 7/1971 Van Haften ..... D10/39
- D. 268,168 3/1983 Schneider ..... D10/30

OTHER PUBLICATIONS

*Swiss Watch & Jewelry Journal*-2/77-p. 222-watch at bottom left.

*Swiss Watch & Jewelry Journal*-2/82-p. 251-watches at right.

*Jeweler's Circular-Keystone*-7/84-p. 206-watch.

Primary Examiner—Nelson C. Holtje  
Attorney, Agent, or Firm—Koda and Androlia

[57] CLAIM

The ornamental design for a watch case, as substantially shown and described.

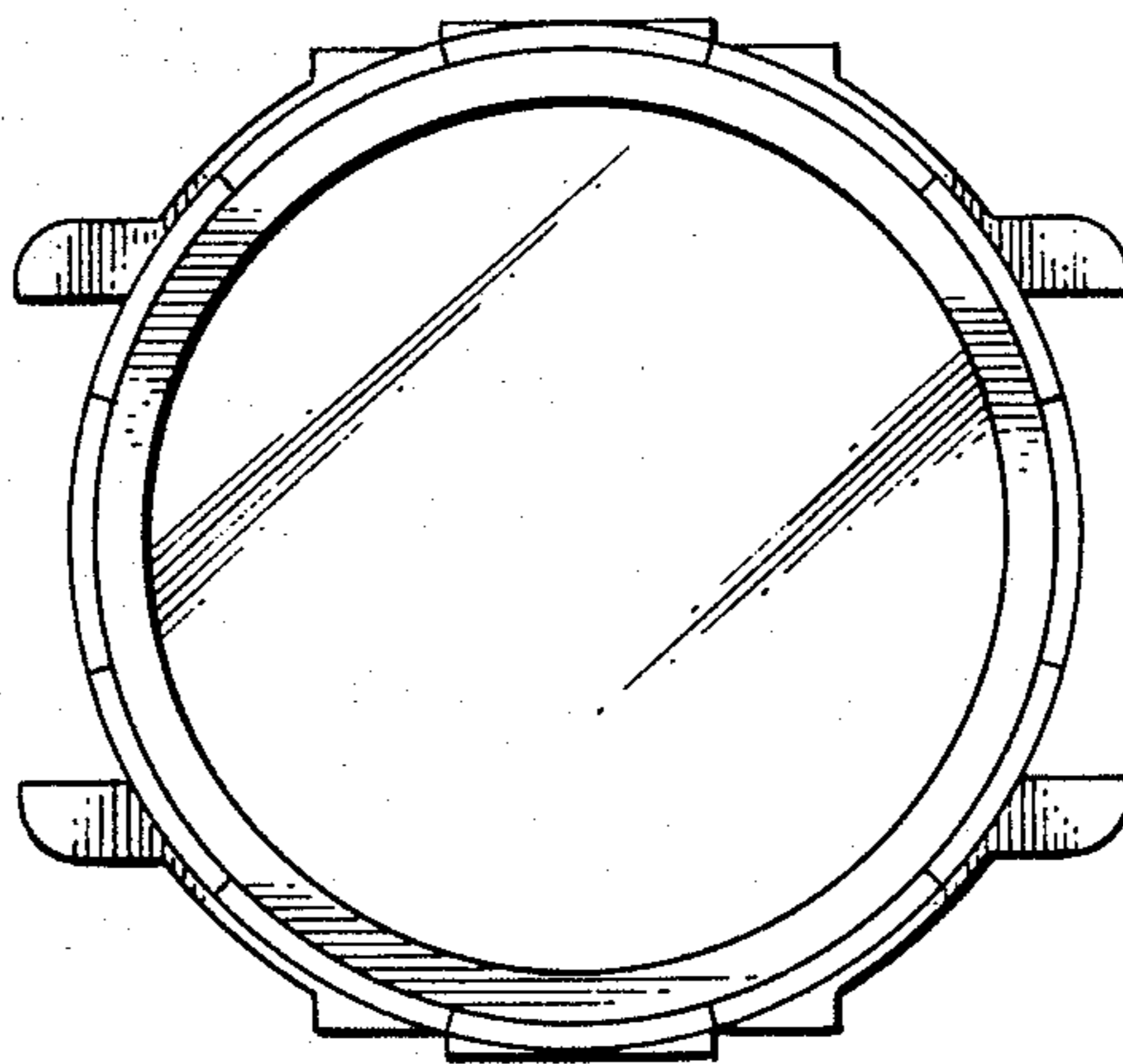
DESCRIPTION

FIG. 1 is a top plan view of a watch case showing my new design;

FIG. 2 is a bottom plan view thereof;

FIG. 3 is a front elevational view thereof, the rear being a mirror image thereto;

FIG. 4 is a right side elevational view thereof, the left side being a mirror image thereto.



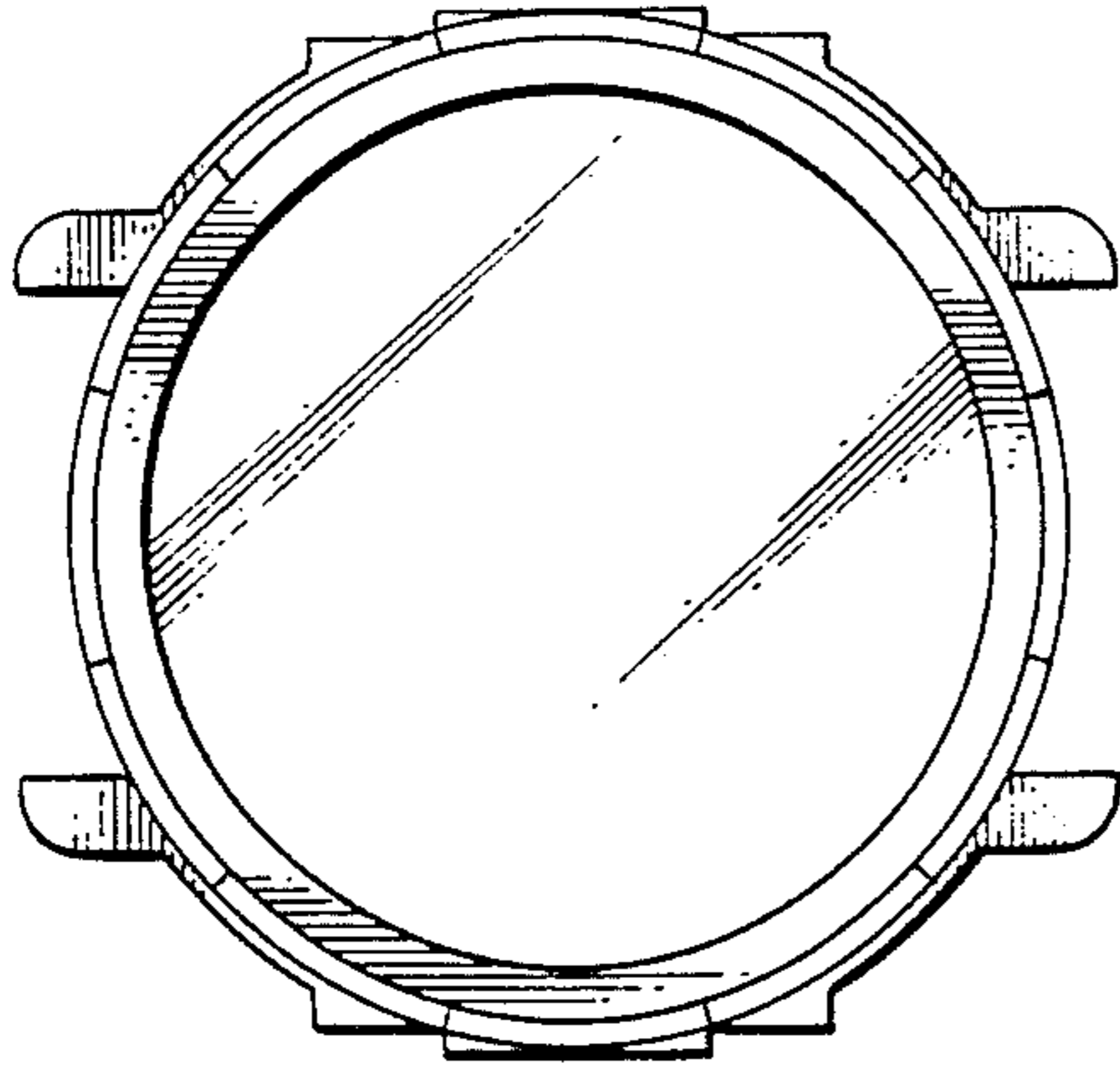


FIG. 1

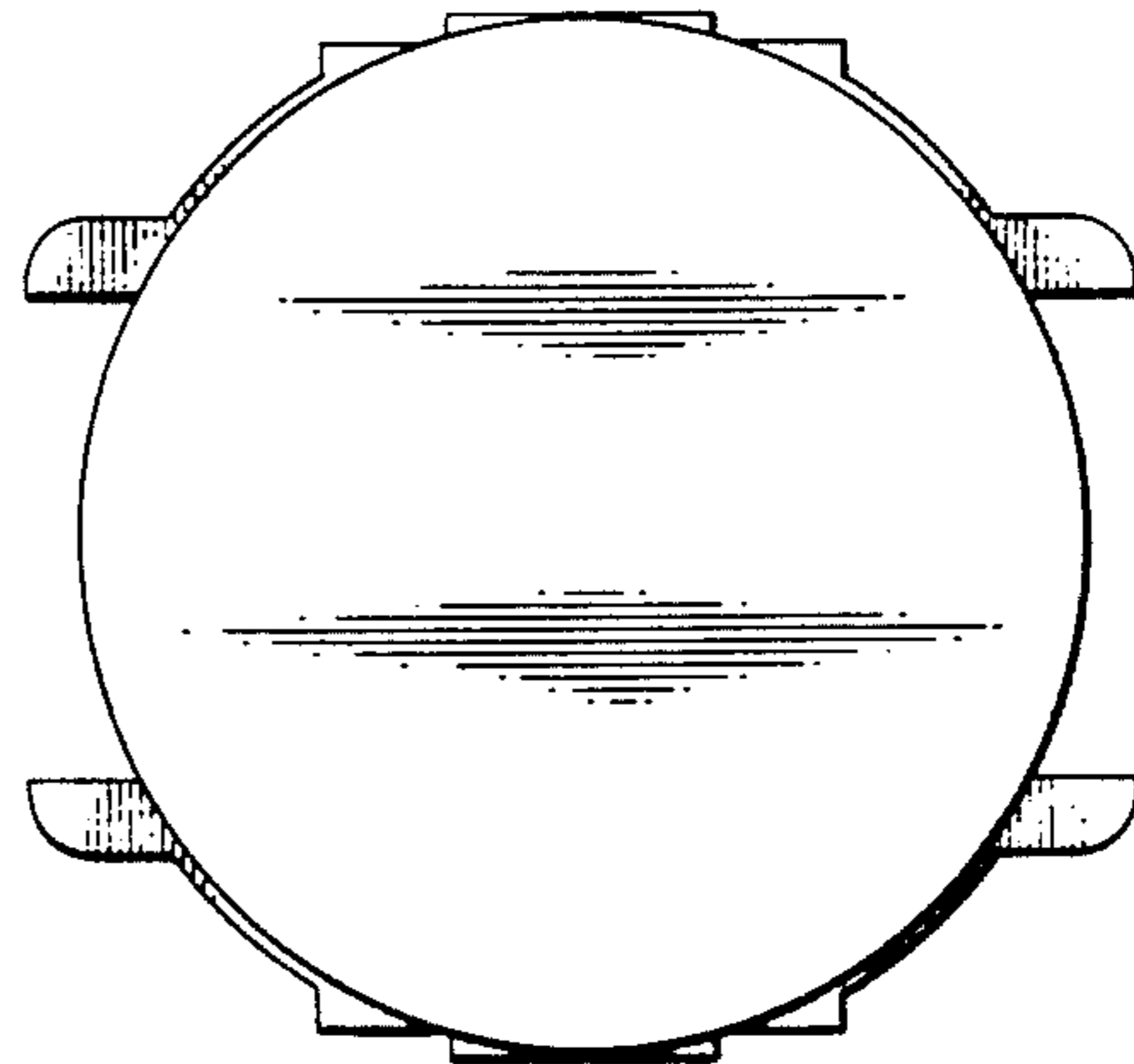


FIG. 2



FIG. 3

FIG. 4

