

[54] **PACKAGING CONTAINER**

[75] **Inventor: Maxwell H. Toms, Maribyrnong, Australia**

[73] **Assignee: The Commonwealth of Australia, Canberra, Australia**

[\*\*] **Term: 14 Years**

[21] **Appl. No.: 631,799**

[22] **Filed: Jul. 17, 1984**

[30] **Foreign Application Priority Data**

Jan. 20, 1984 [AU] Australia ..... 6313/84

[52] **U.S. Cl. .... D9/424; D9/426; D9/432**

[58] **Field of Search .... D9/414, 341, 345, 424, D9/425, 432, 337; 229/2.5 EC, 44 EC, 45 EC, 6 R**

[56]

**References Cited**

**U.S. PATENT DOCUMENTS**

D. 167,977	10/1952	Francis	.....	D9/414
D. 175,541	9/1955	Francis	.....	D9/426
D. 234,273	2/1975	Wilson et al.	.....	D9/424 X
D. 243,230	2/1977	Kleiner	.....	D9/426
D. 258,268	2/1981	Axel	.....	D9/426

*Primary Examiner*—Robert C. Spangler  
*Attorney, Agent, or Firm*—Roylance, Abrams, Berdo & Goodman

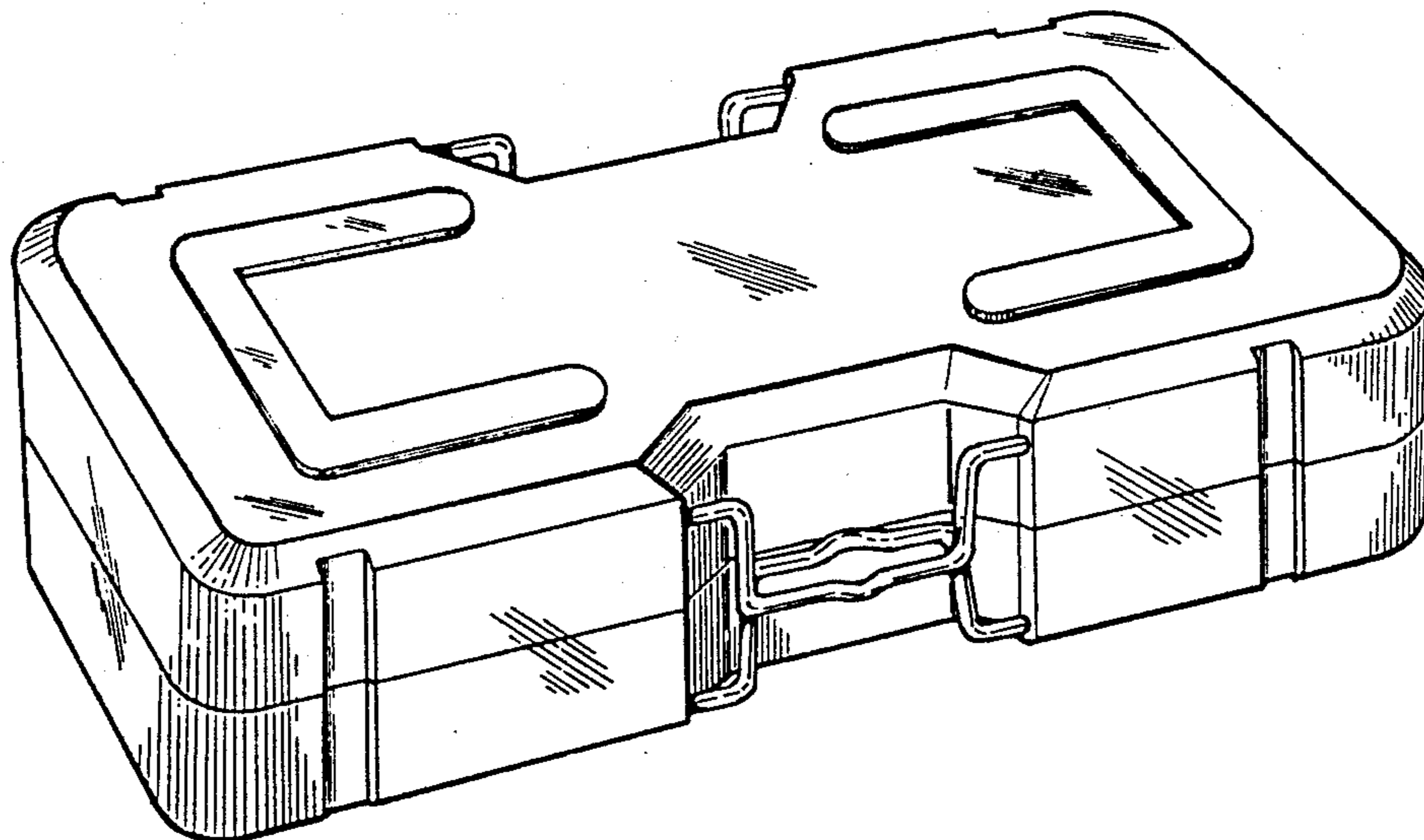
[57]

**CLAIM**

The ornamental design for a packaging container, as shown.

**DESCRIPTION**

FIG. 1 is a top perspective view of a packaging container showing my new design;  
FIG. 2 is a bottom perspective view;  
FIG. 3 is a top plan view;  
FIG. 4 is an end elevational view;  
FIG. 5 is a bottom plan view; and  
FIG. 6 is a side elevational view.



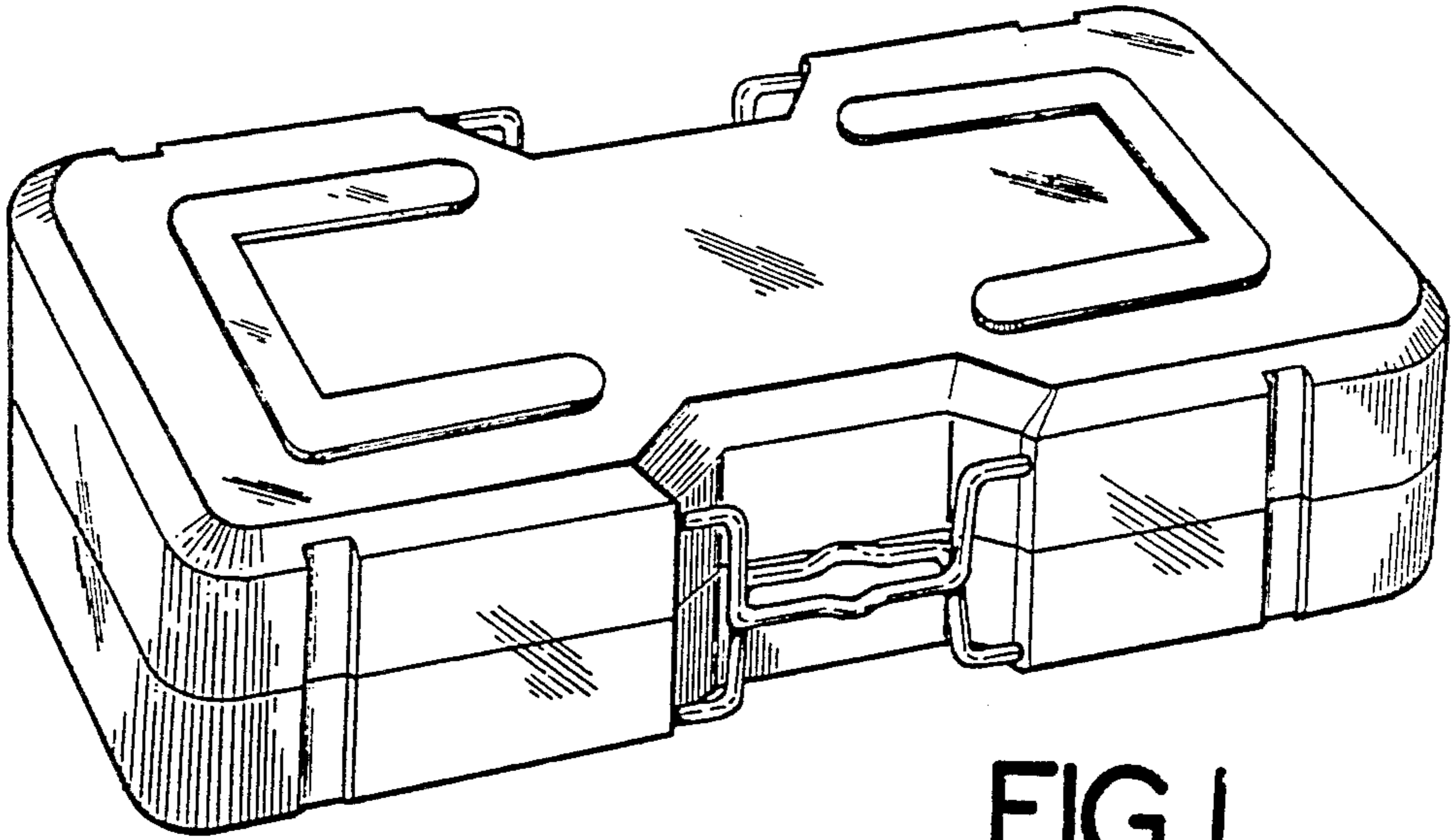


FIG. 1

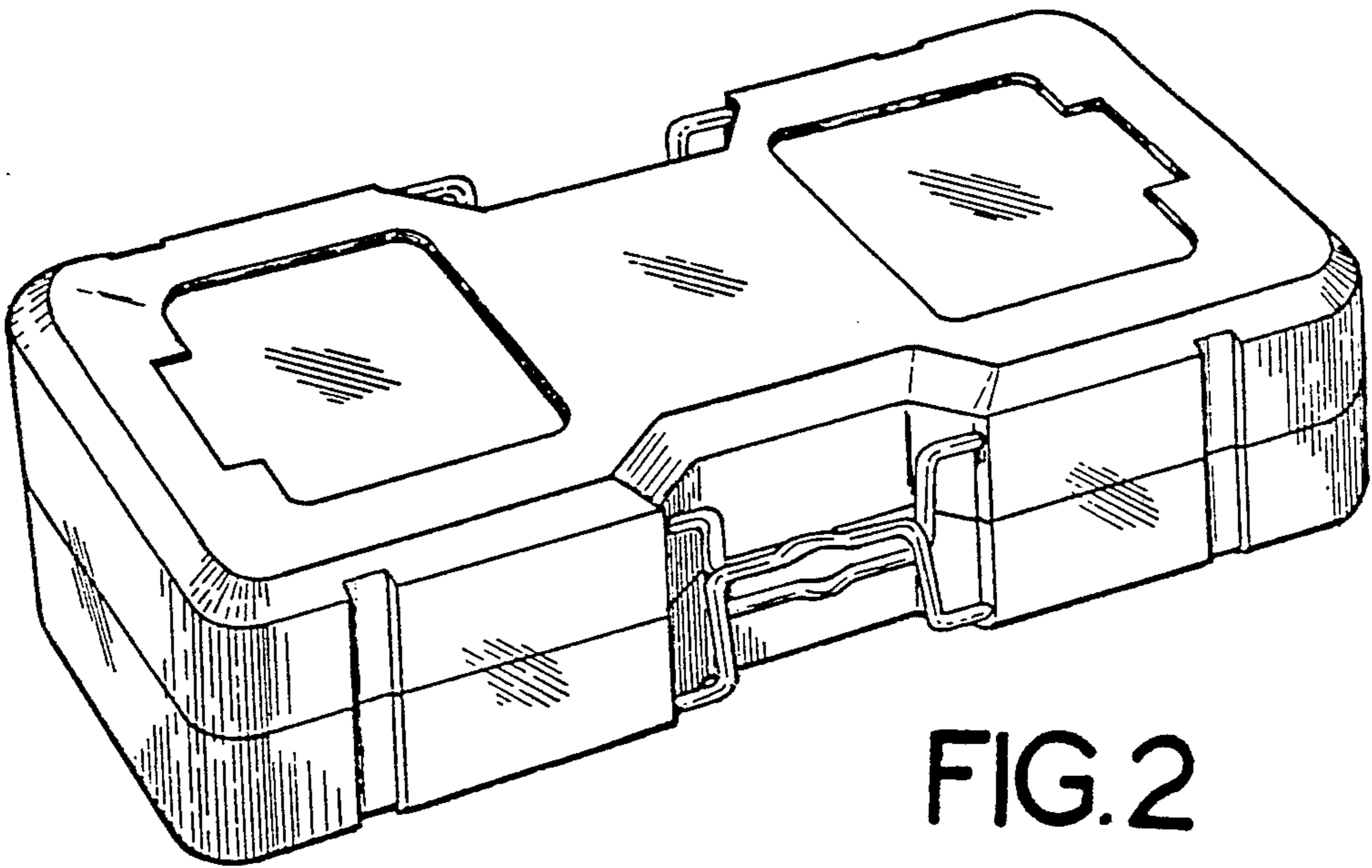


FIG. 2

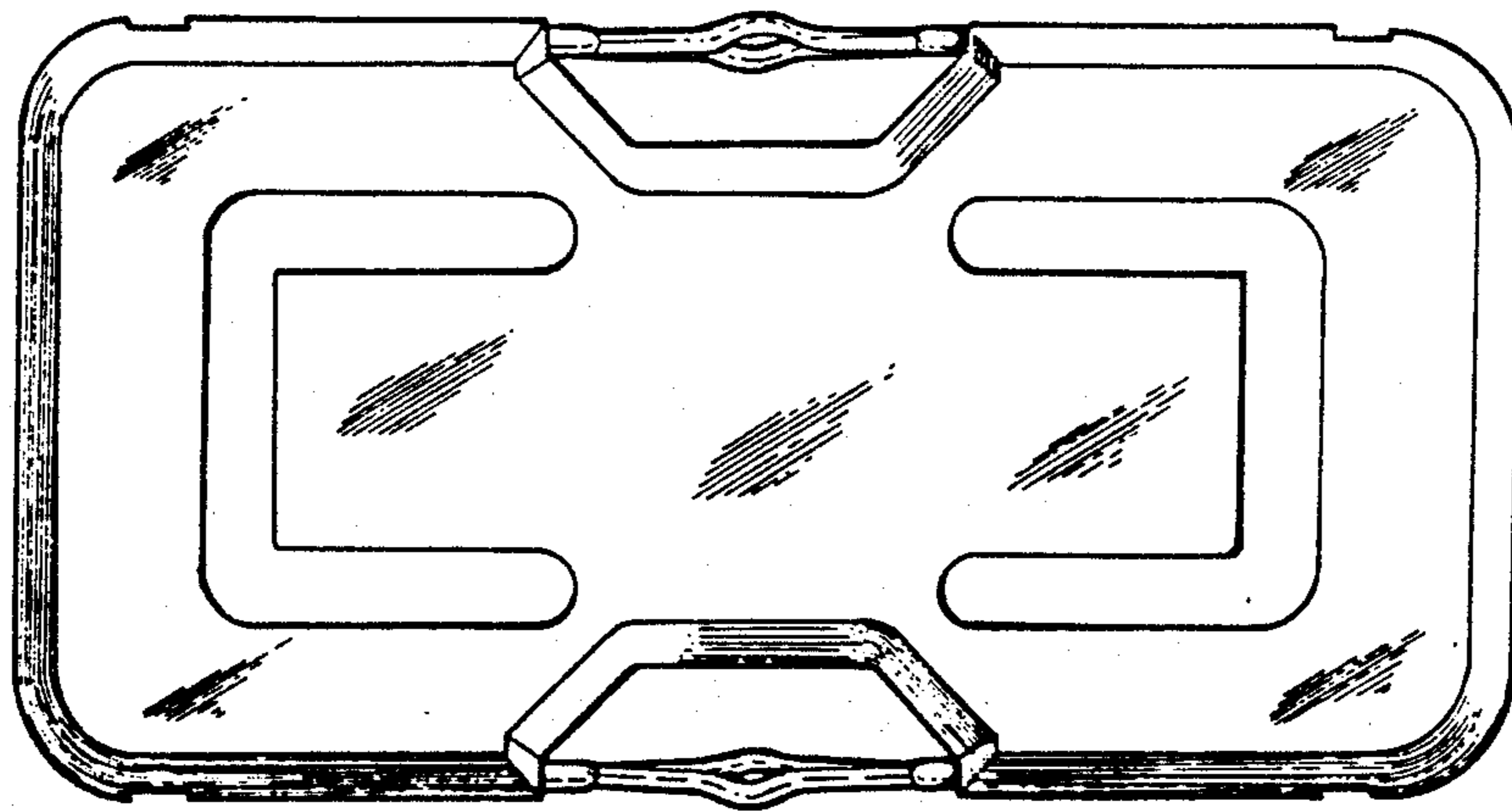


FIG. 3

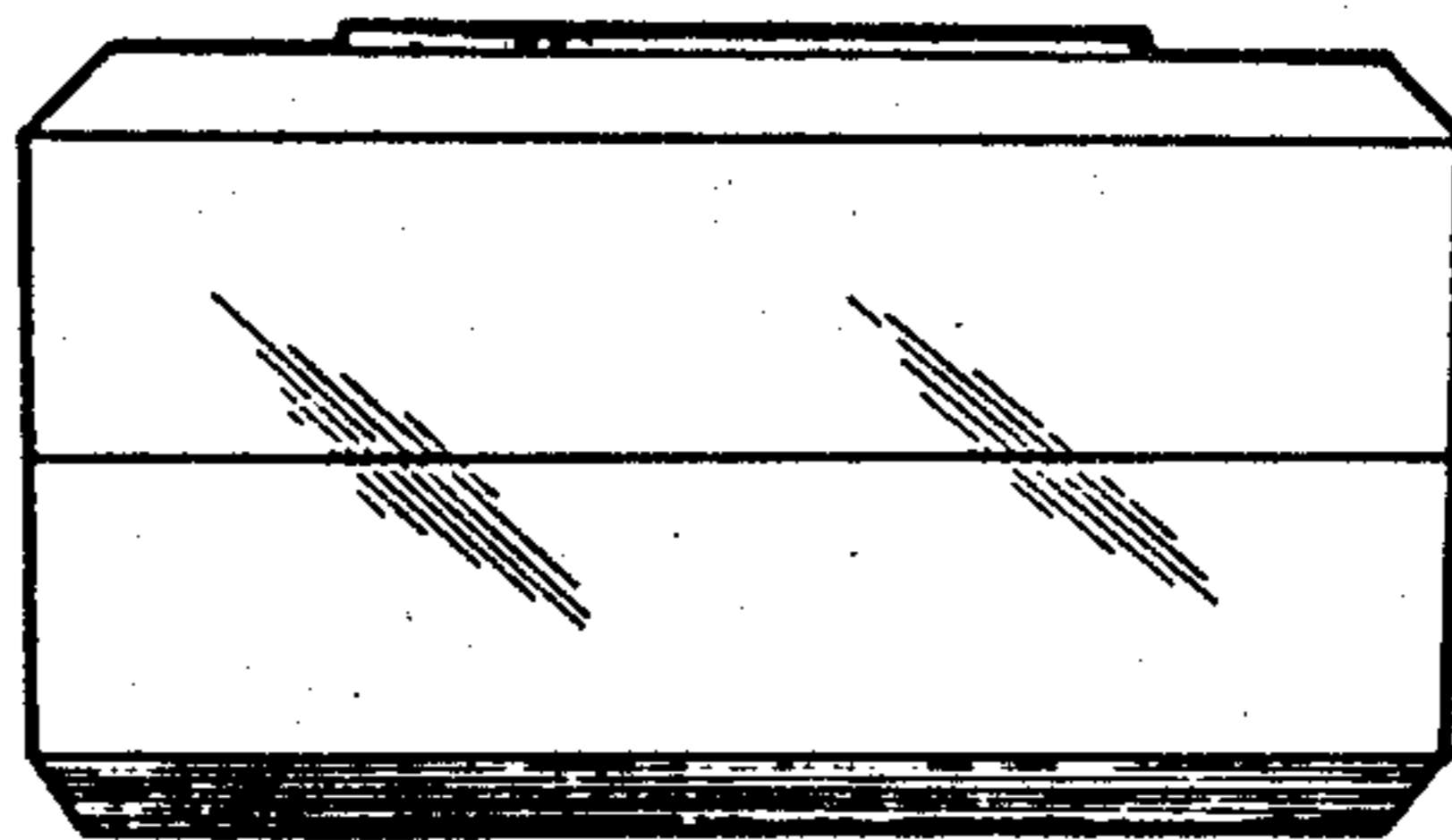


FIG. 4

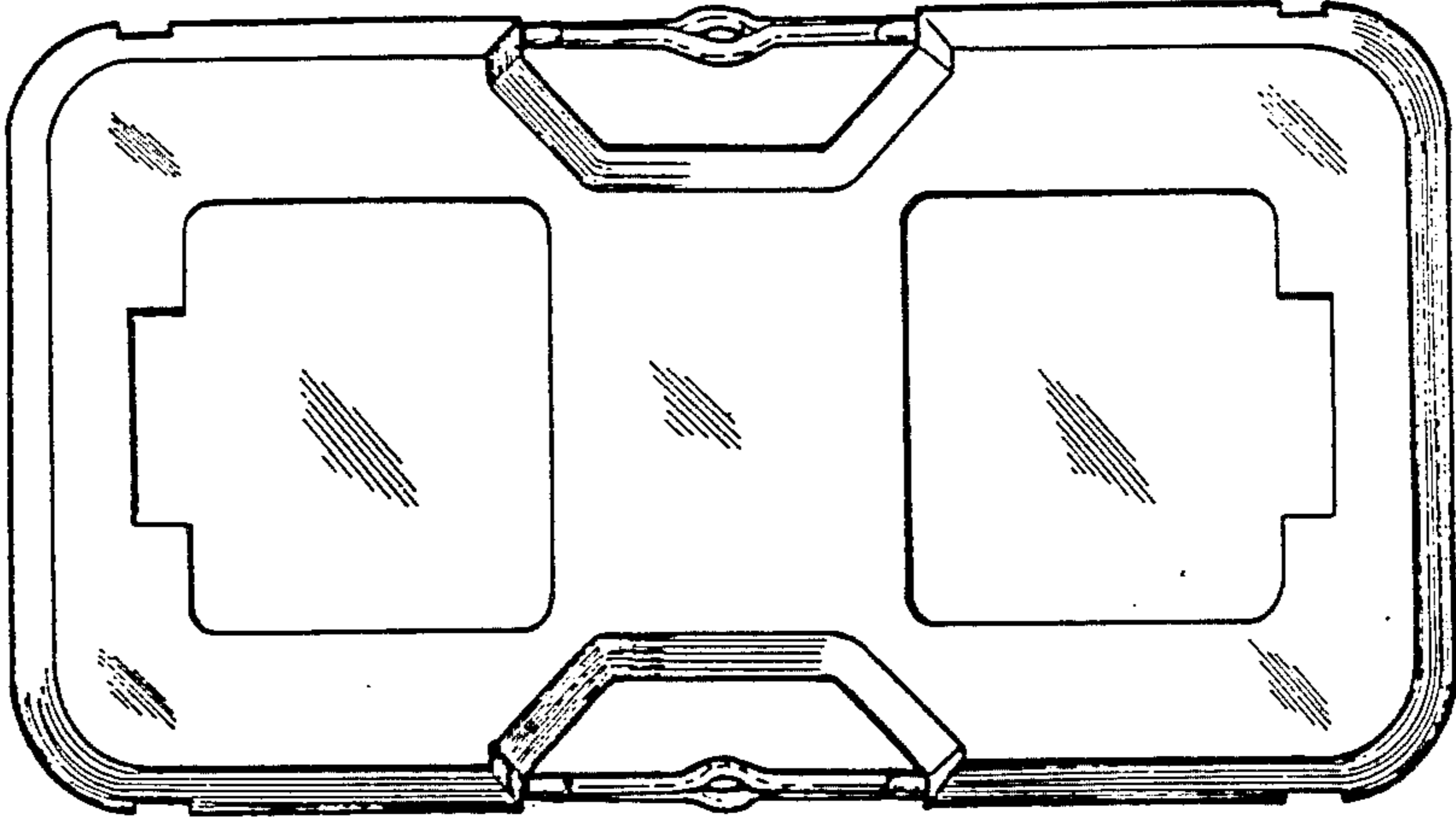


FIG. 5

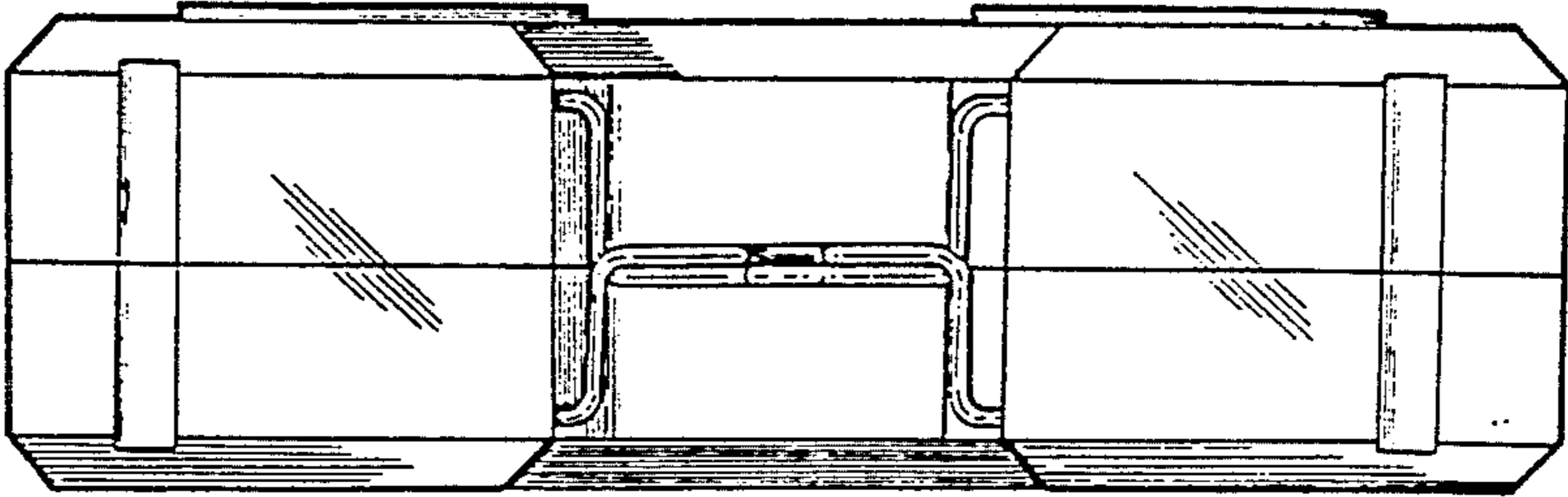


FIG. 6