

[54] SPOOL ASSEMBLY

[75] Inventor: James A. McCaffrey, Norcross, Ga.

[73] Assignee: Advanced Products Incorporated, Pittsburgh, Pa.

[\*\*] Term: 14 Years

[21] Appl. No.: 713,413

[22] Filed: Mar. 18, 1985

[52] U.S. Cl. .... D8/358

[58] Field of Search ..... D8/358, 359; 191/12.4, 191/12.2 R; 242/115, 182.6, 71.9, 86.5, 106, 118.8, 118.7; D3/24

[56] References Cited

U.S. PATENT DOCUMENTS

D. 211,531	6/1968	Elmslie	.....	D8/359
D. 277,260	1/1985	Dickens	.....	D8/358
D. 281,482	11/1985	Suzuki	.....	D3/24
2,741,442	4/1956	Aupperle	.....	D3/24
3,108,763	10/1963	Ahlene	.....	242/115
3,617,659	11/1971	Freeman	.....	191/12.2 R
3,817,475	6/1974	Goldstein	.....	242/115
3,876,073	4/1975	Herbetko	.....	242/115
4,221,347	9/1980	Hill	.....	242/71.9
4,345,724	6/1980	Lindell	.....	242/115

FOREIGN PATENT DOCUMENTS

553729	1/1957	Belgium	.....	242/115
2316950	10/1974	Fed. Rep. of Germany	.....	242/115
440878	1/1936	United Kingdom	.....	242/115

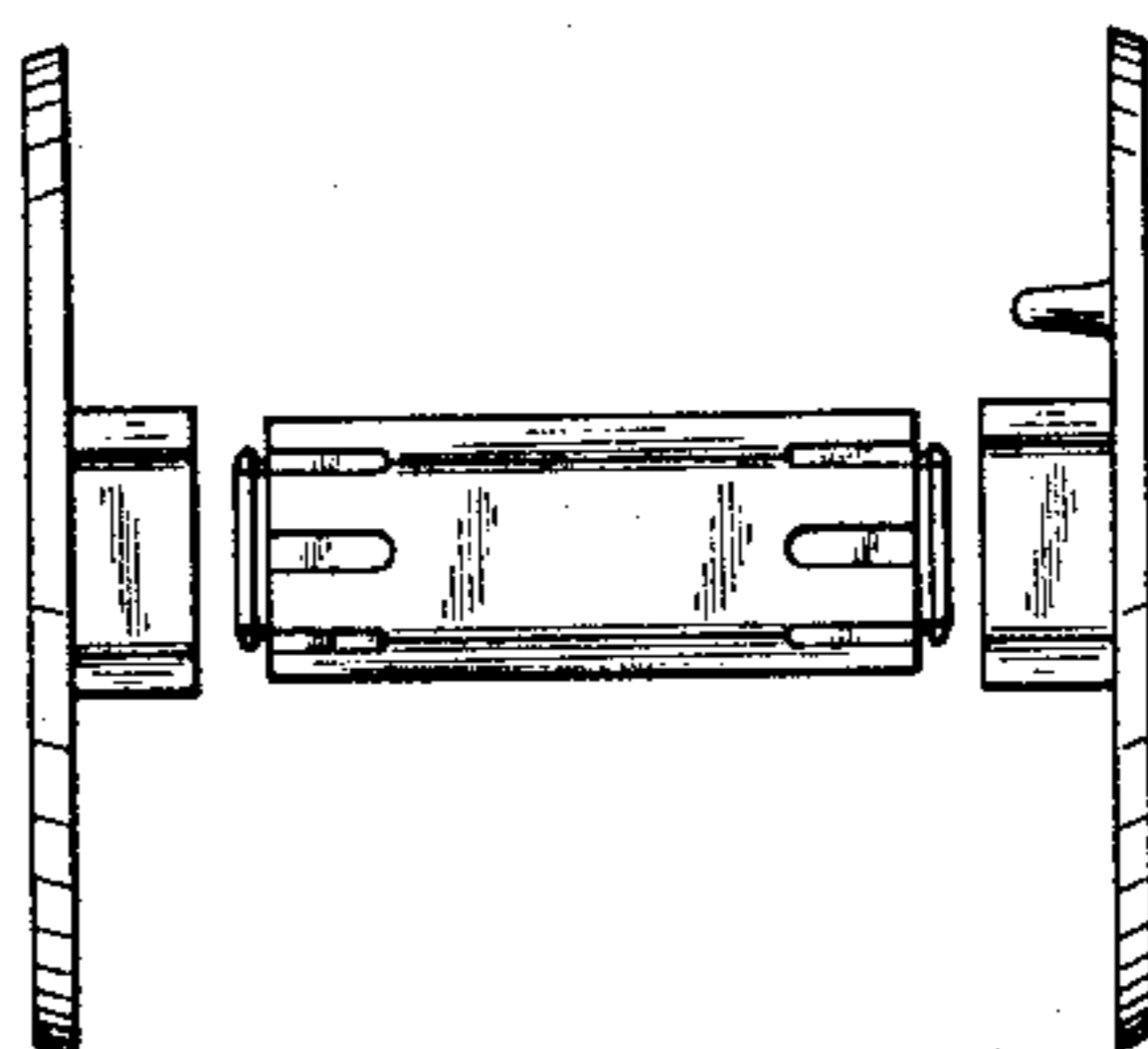
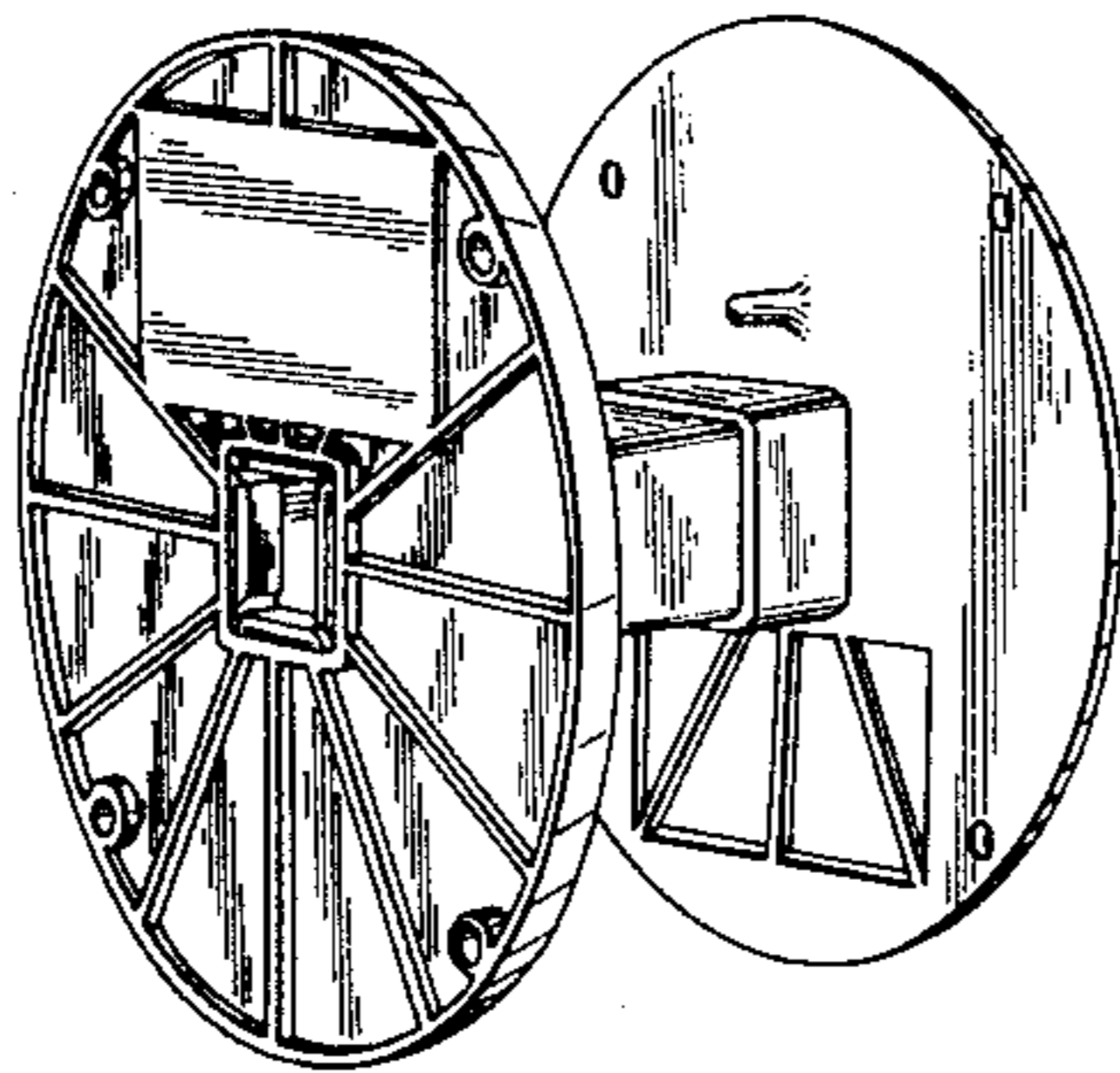
Primary Examiner—Wallace R. Burke  
Assistant Examiner—Horace B. Fay  
Attorney, Agent, or Firm—Webb, Burden, Robinson & Webb

[57] CLAIM

The ornamental design for a spool assembly, substantially as shown and described.

DESCRIPTION

FIG. 1 is a left side and partial front perspective view of a spool assembly showing my new design; FIG. 2 is a front elevational view thereof; FIG. 3 is an exploded, front elevational view thereof; FIG. 4 is a left side elevational view thereof; FIG. 5 is a sectional view thereof, taken along the line 5—5 in FIG. 4; FIG. 6 is a left side and partial front perspective view of a second embodiment thereof; FIG. 7 is a front elevational view thereof; FIG. 8 is an exploded, front elevational view thereof; FIG. 9 is a front elevational view thereof; FIG. 10 is a sectional view thereof, taken along the line 10—10 in FIG. 9; FIG. 11 is a left side and partial front perspective view of a third embodiment thereof; FIG. 12 is a front elevational view thereof; FIG. 13 is an exploded, front elevational view thereof; FIG. 14 is a front elevational view thereof; and FIG. 15 is a sectional view thereof, taken along the line 15—15 in FIG. 14.



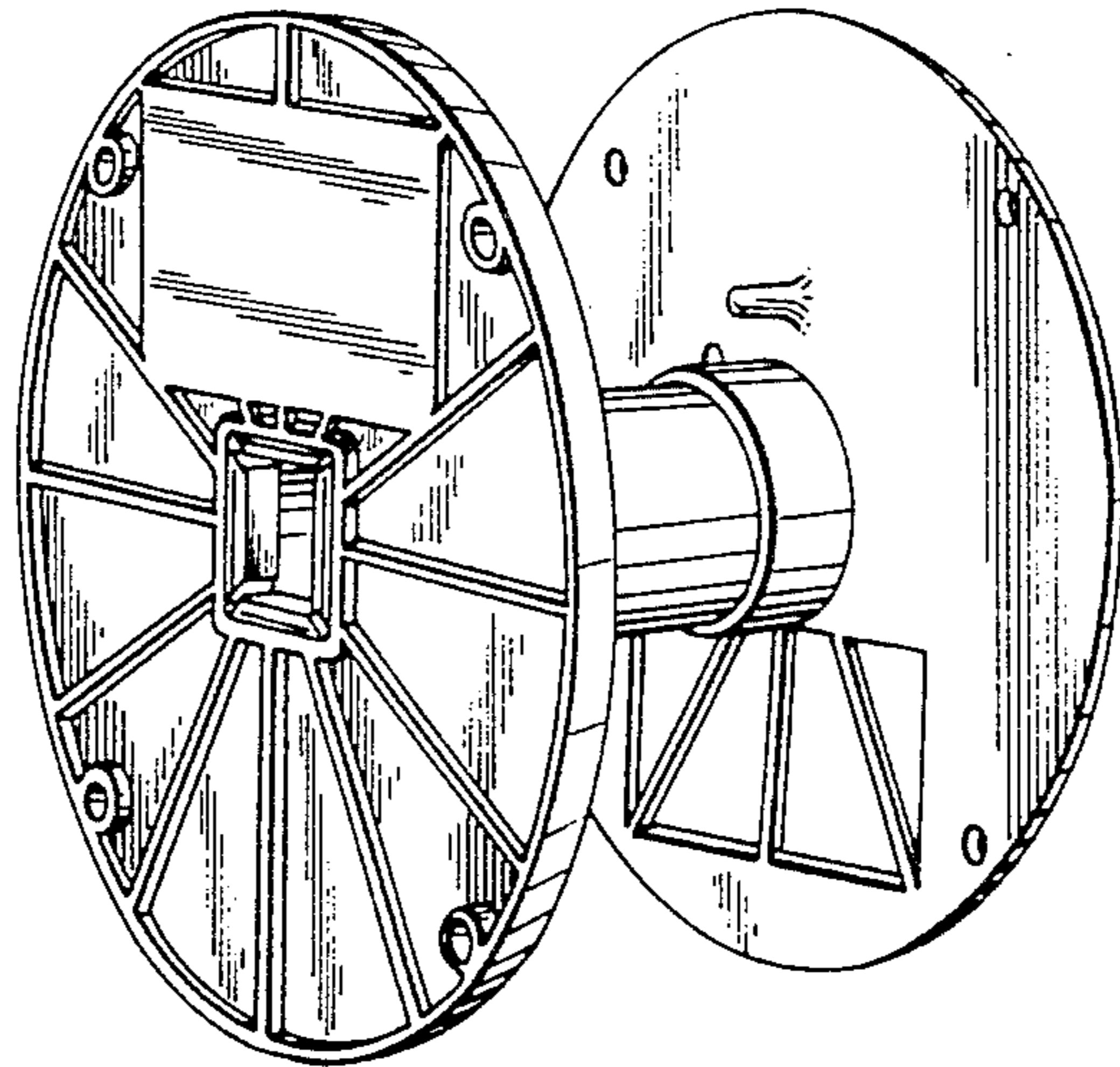


FIG. 1

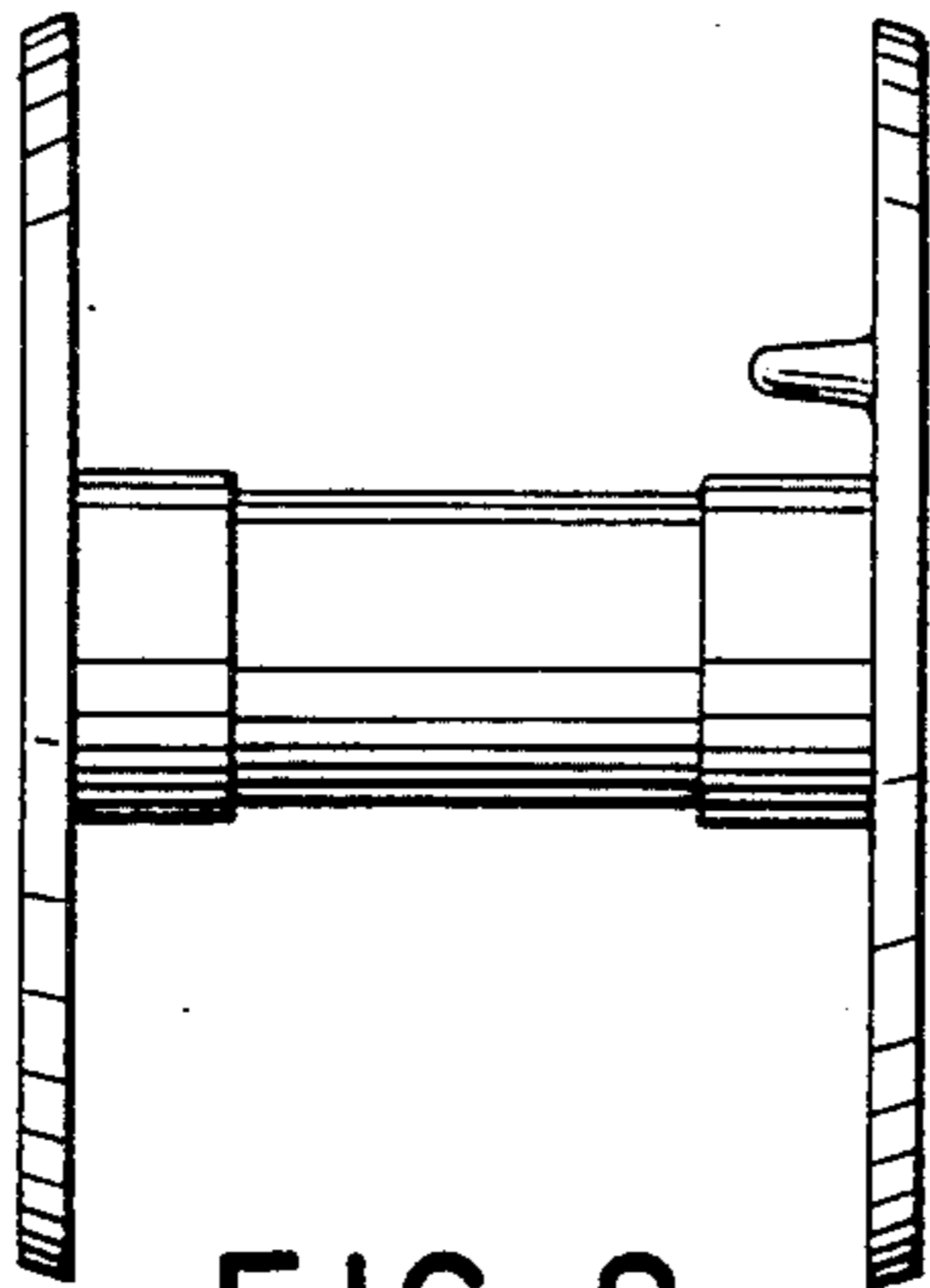


FIG. 2

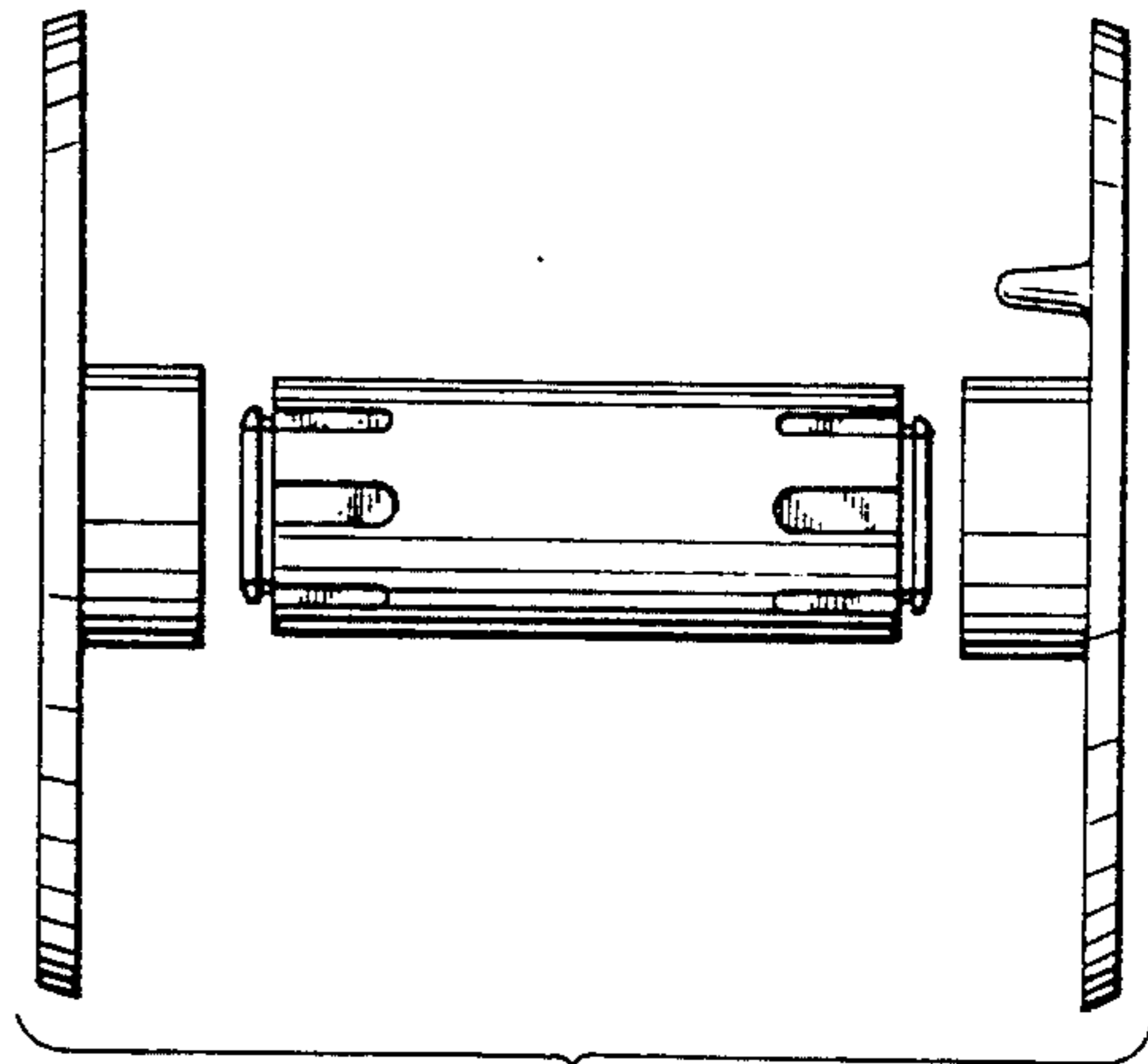


FIG. 3

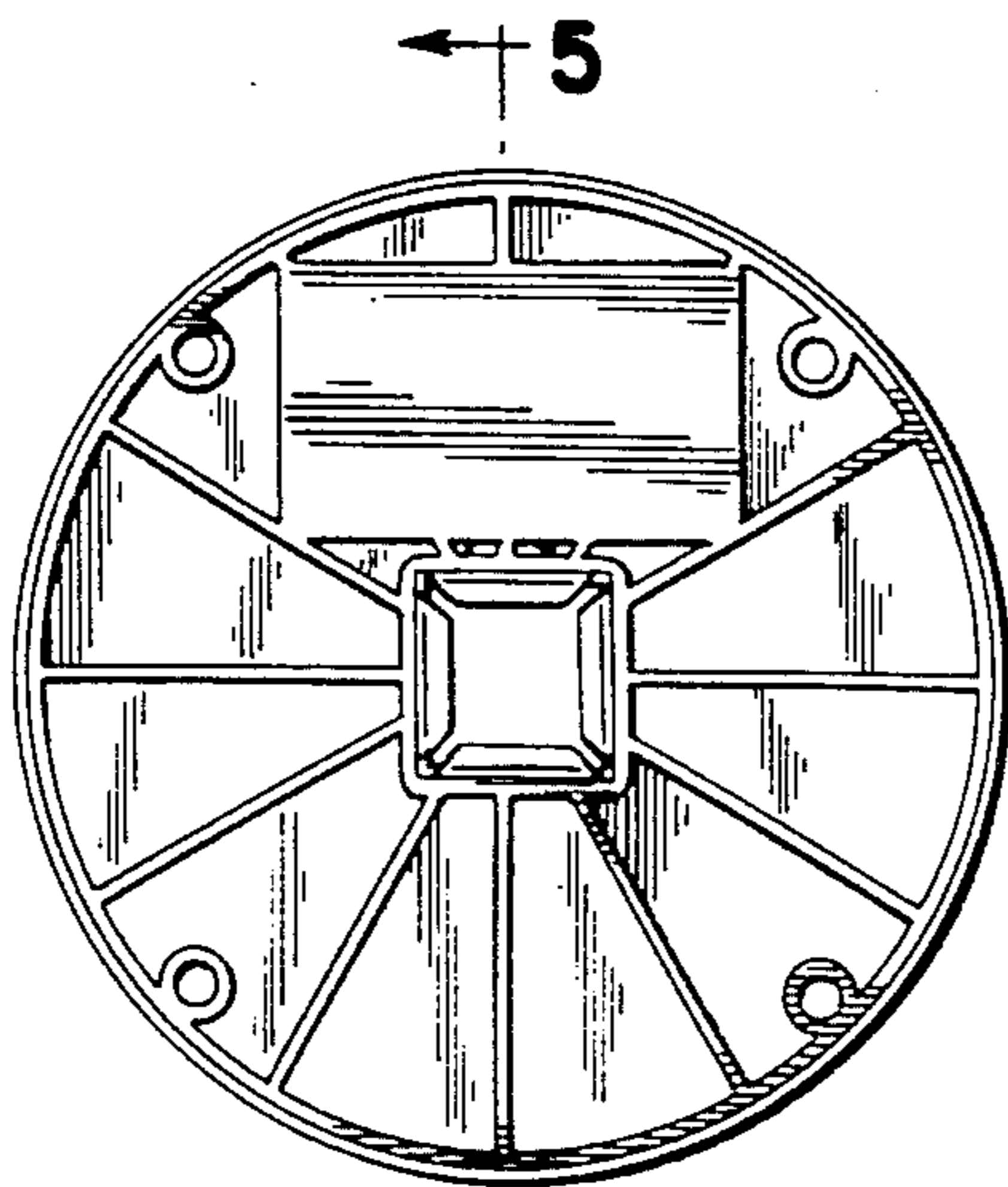


FIG. 4

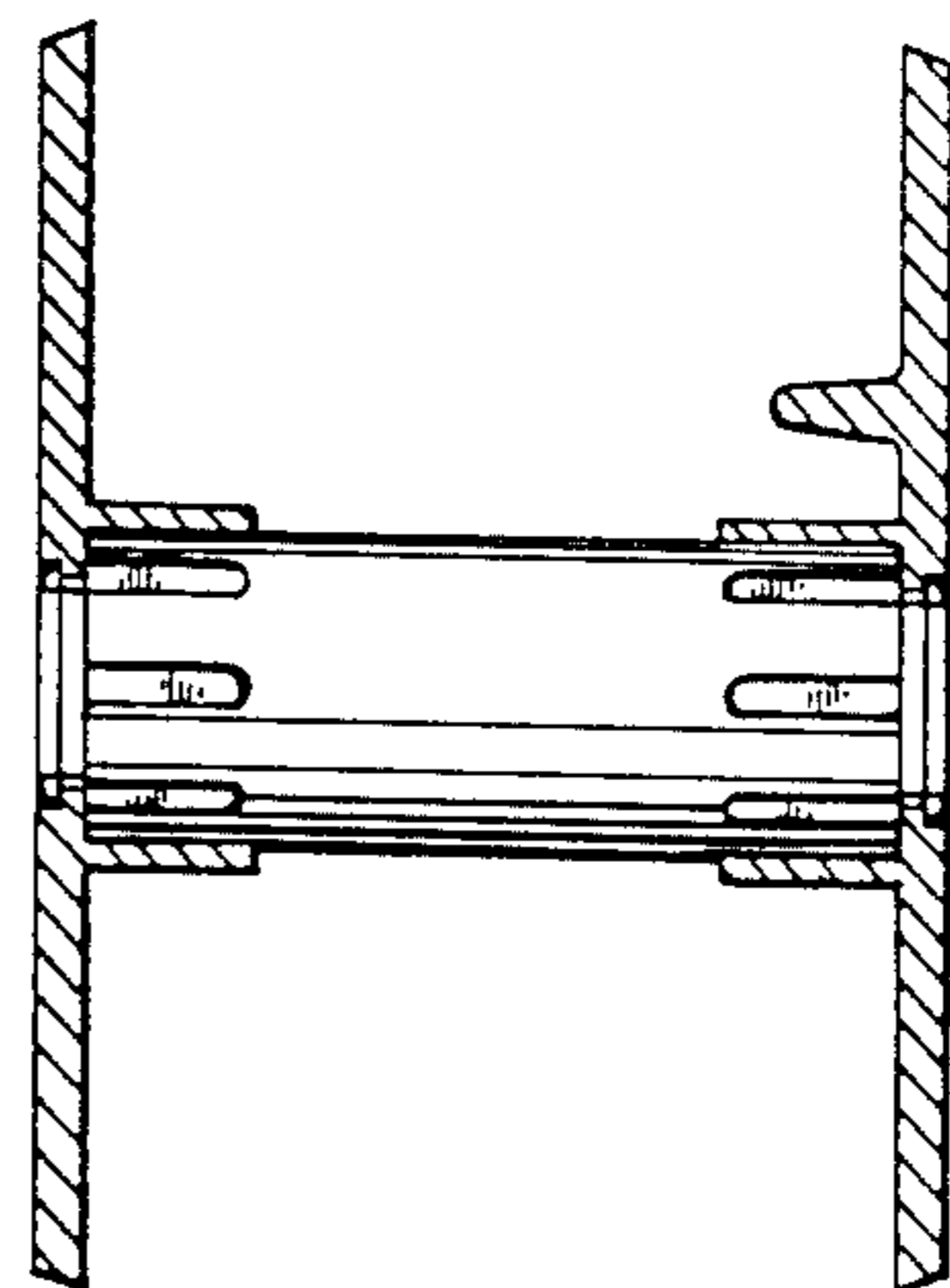


FIG. 5

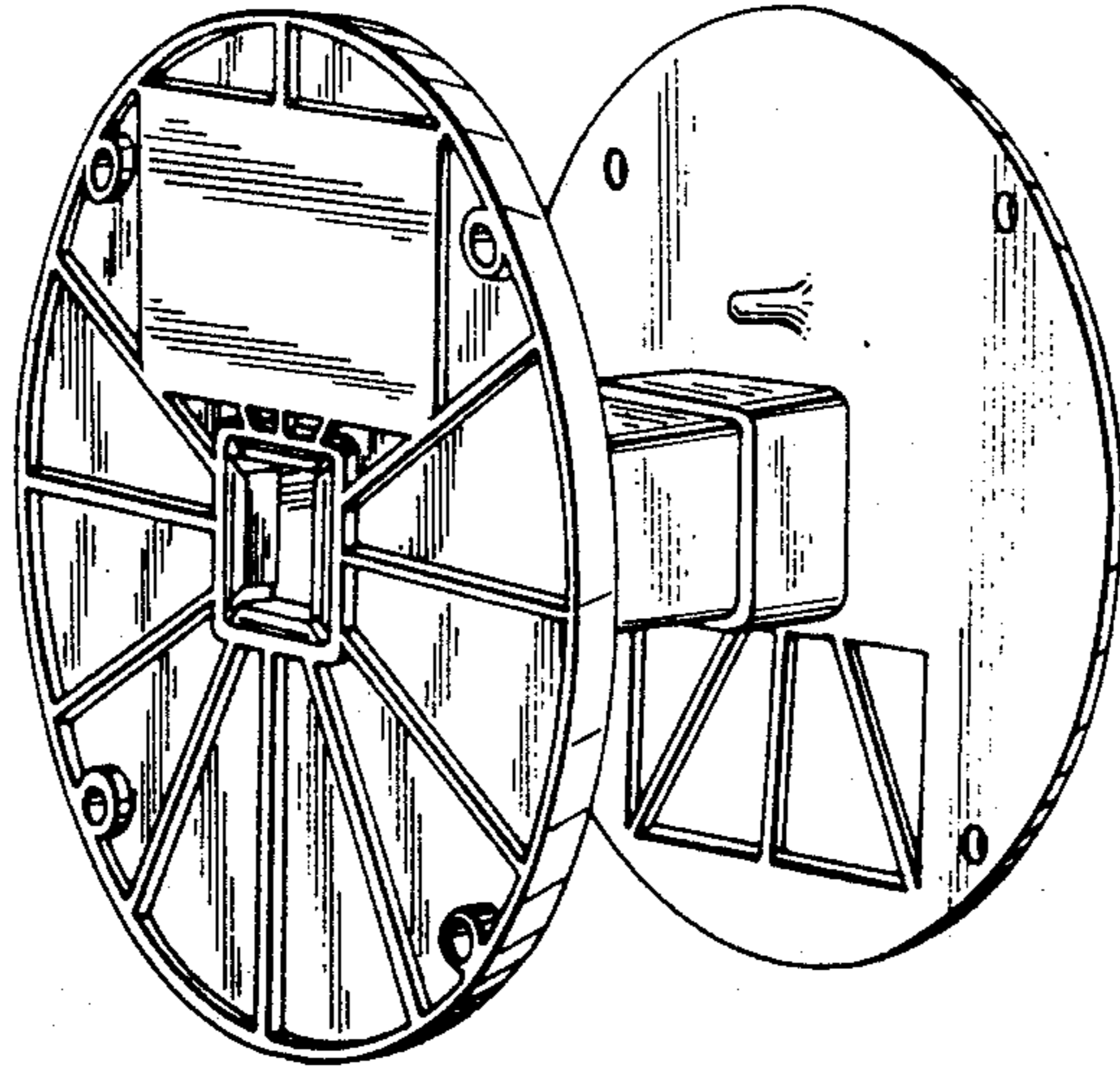


FIG. 6

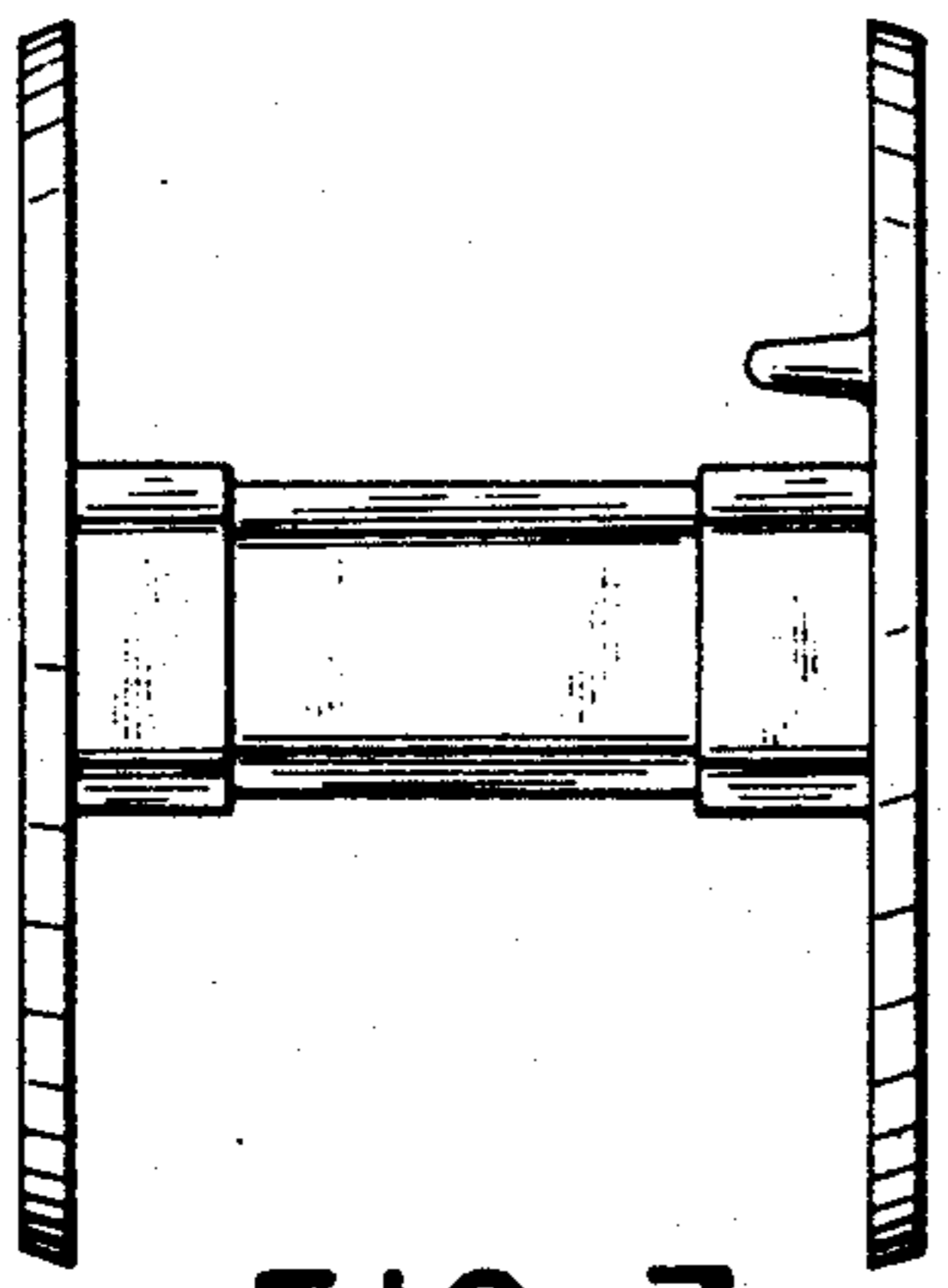


FIG. 7

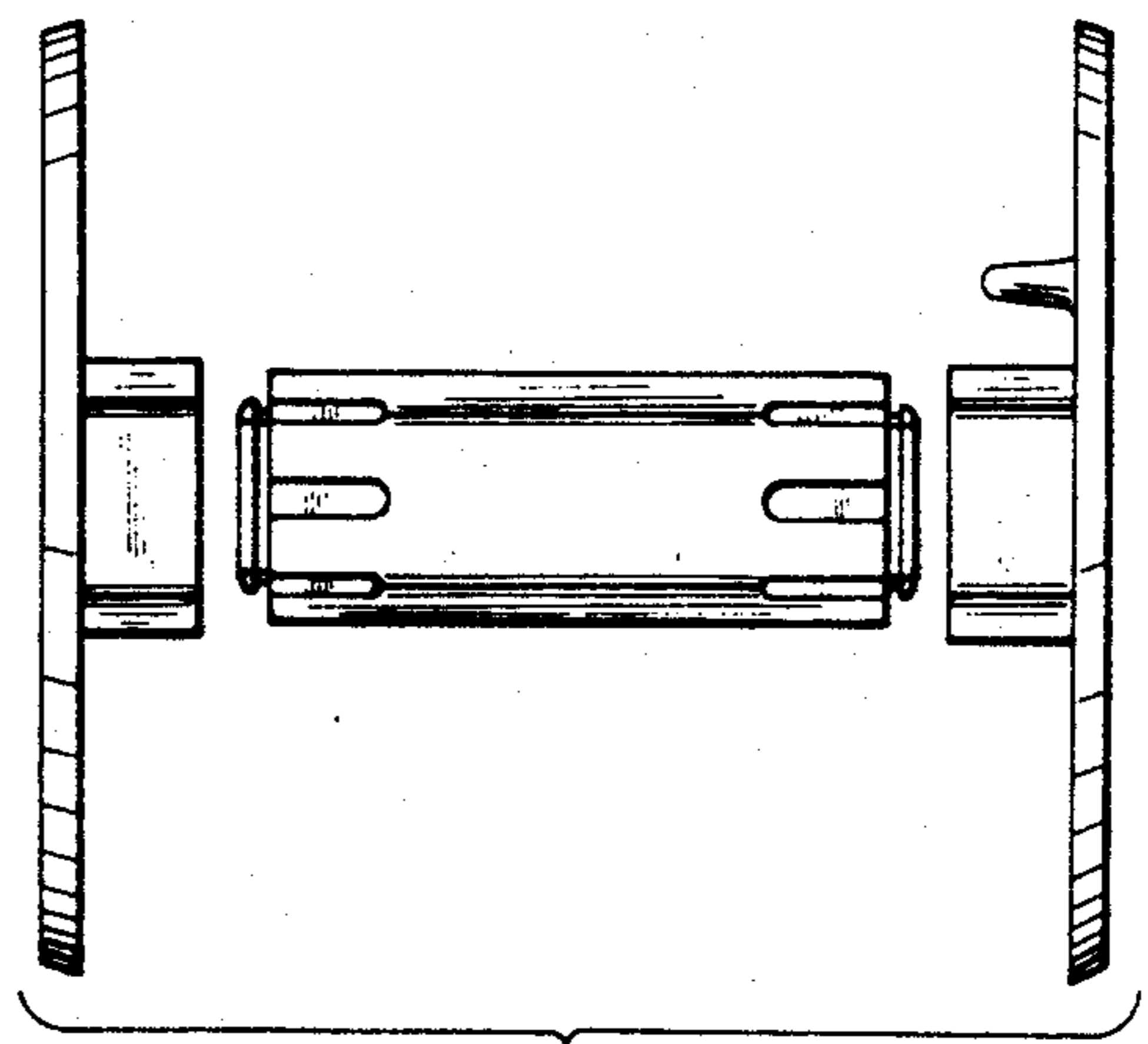


FIG. 8

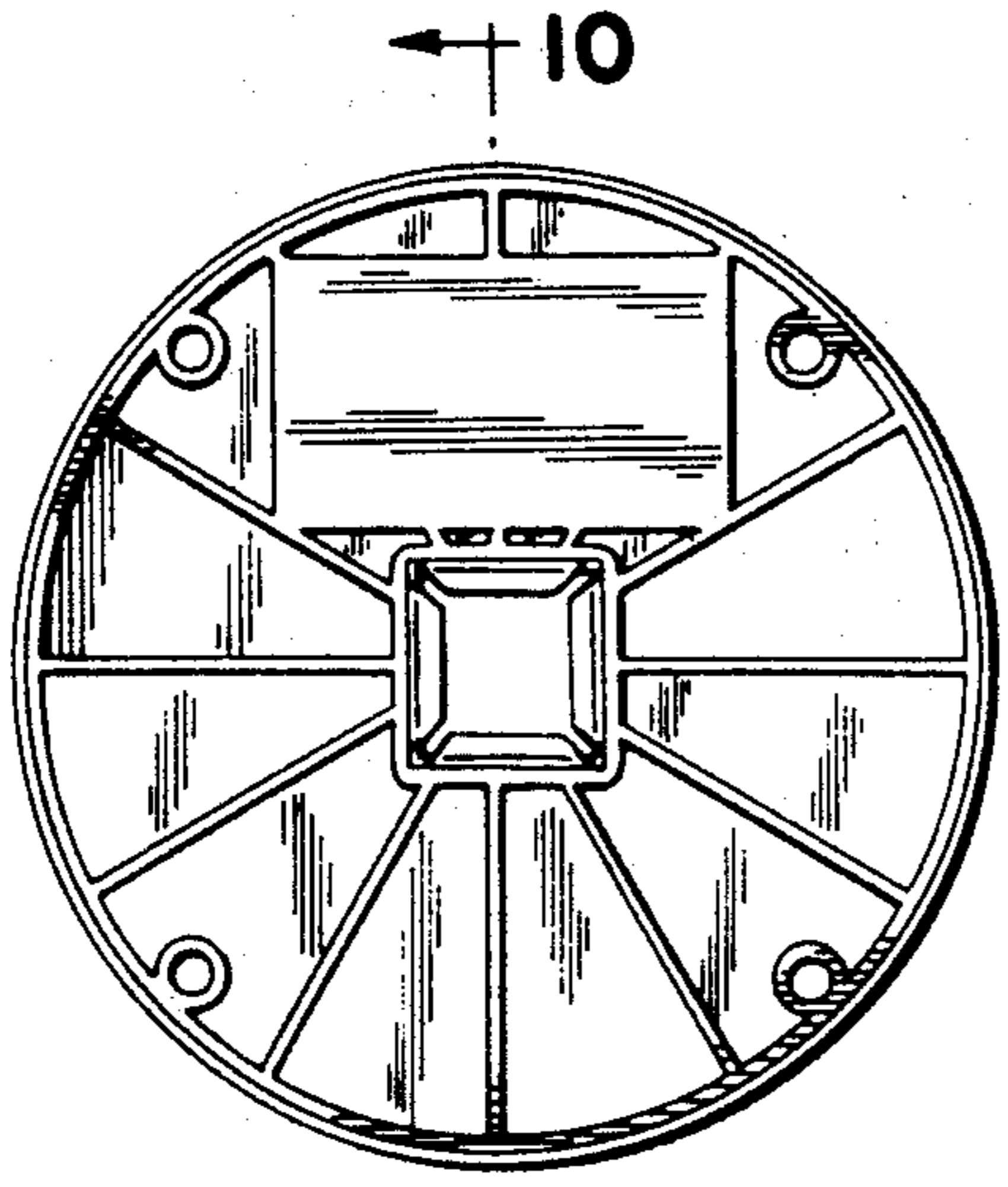


FIG. 9

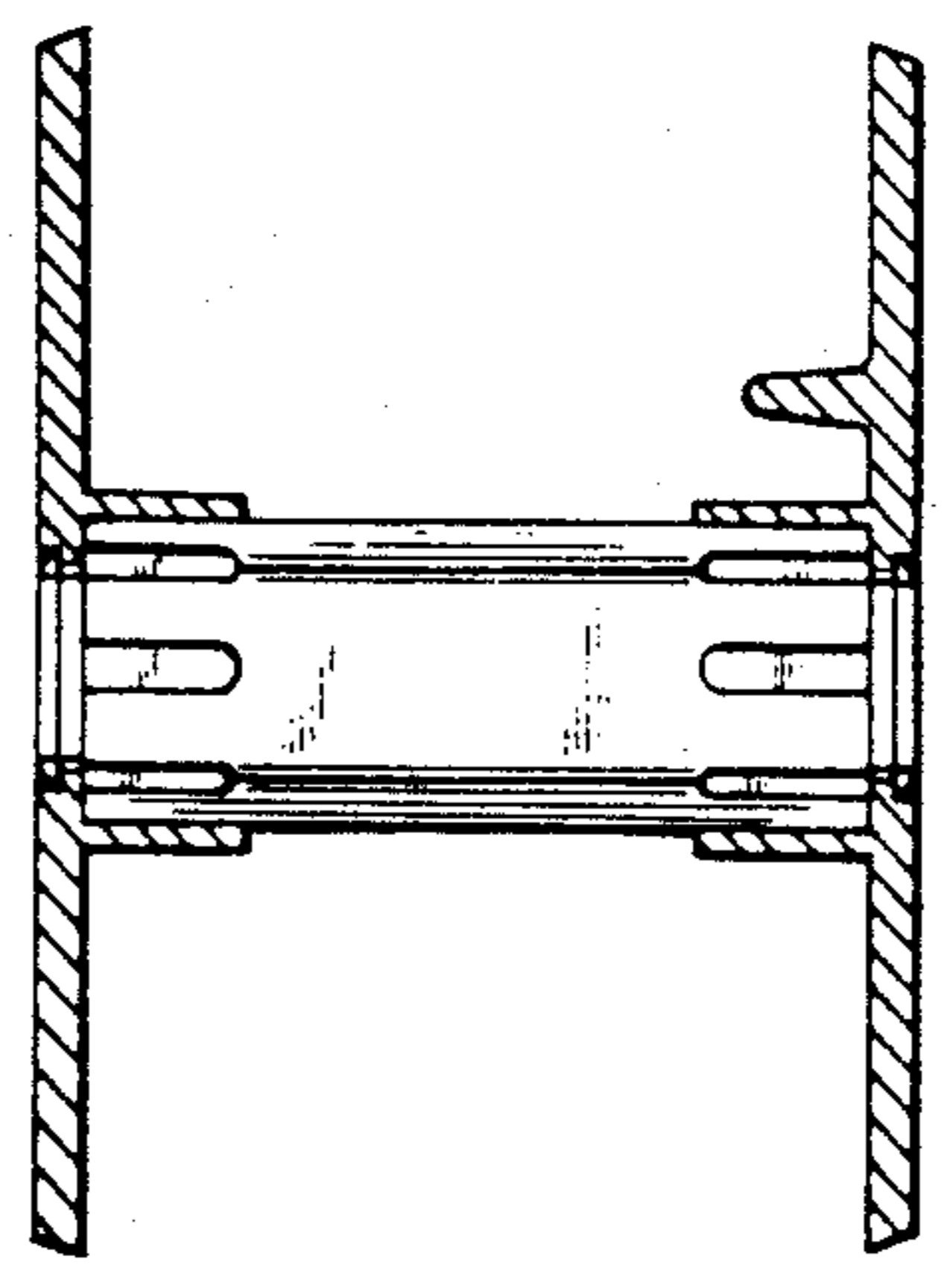


FIG. 10



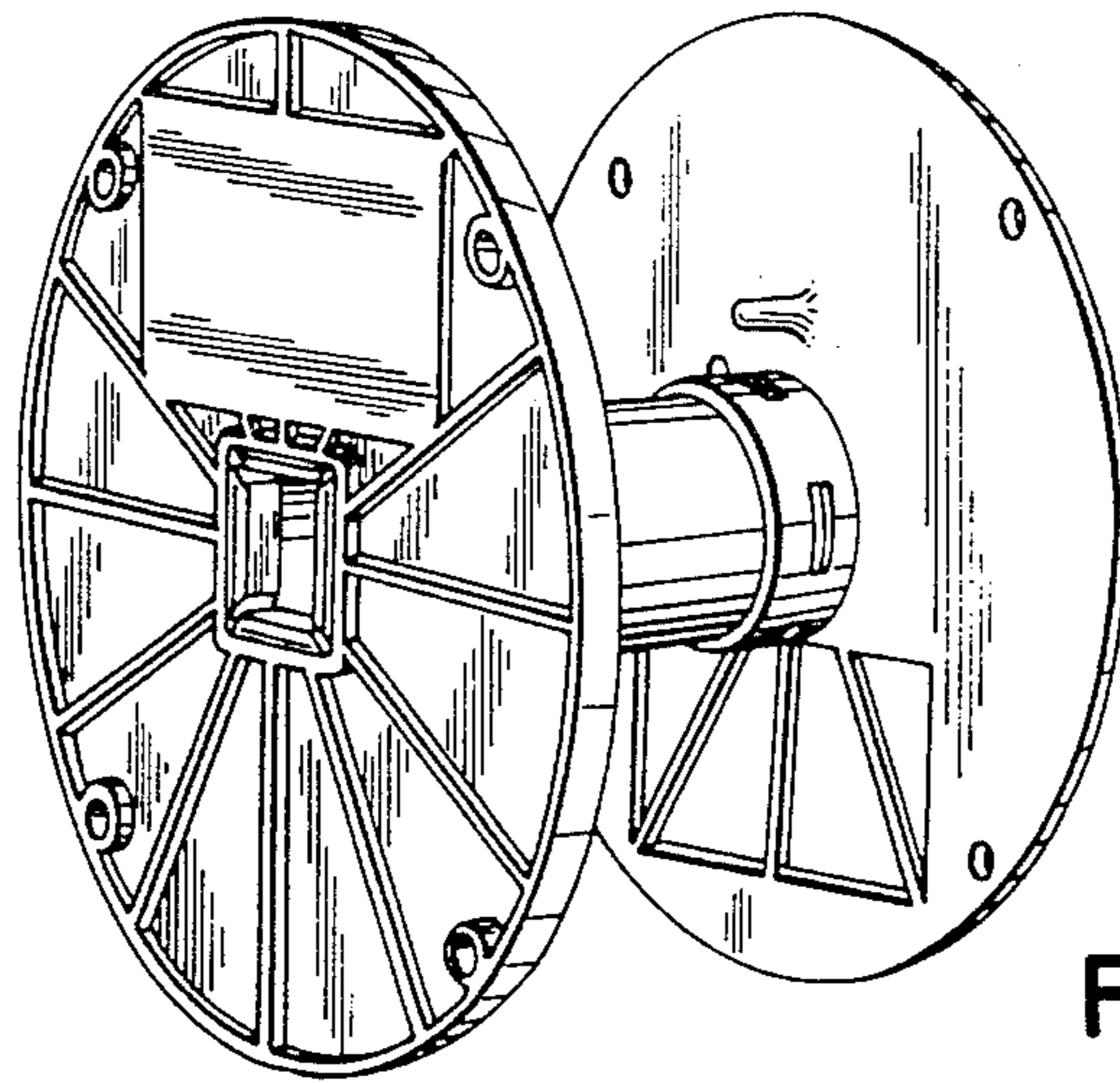


FIG. 11

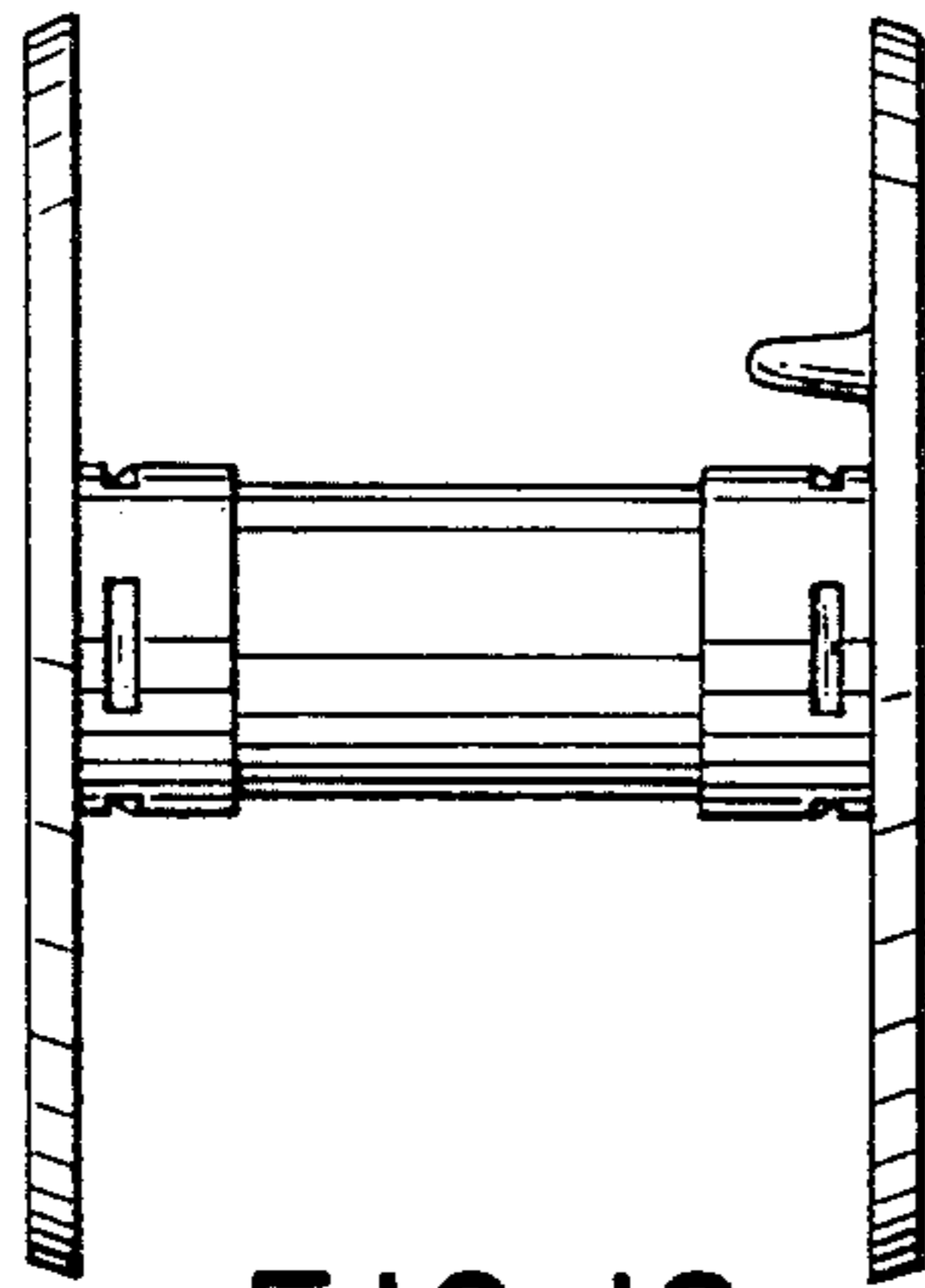


FIG. 12

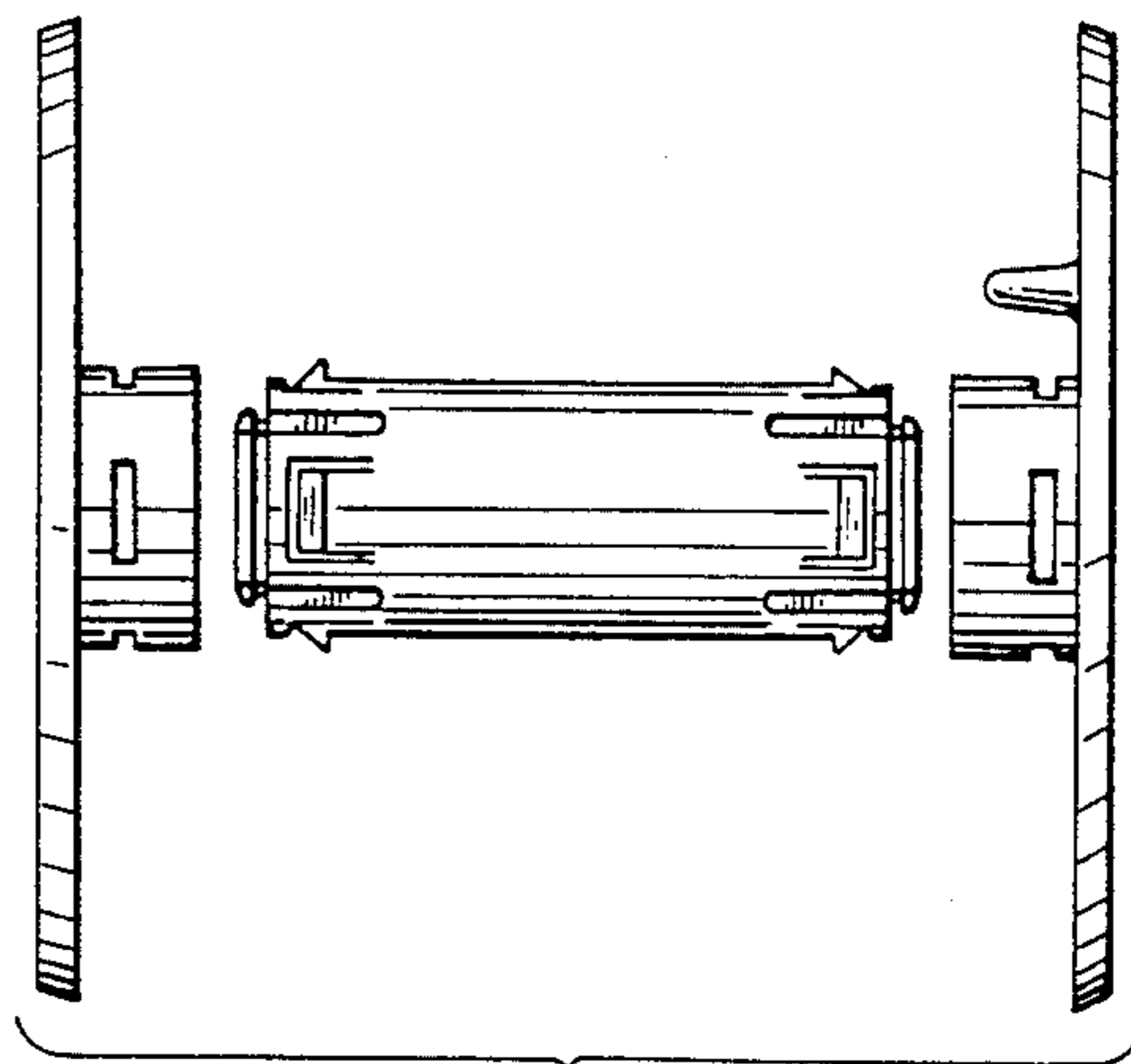
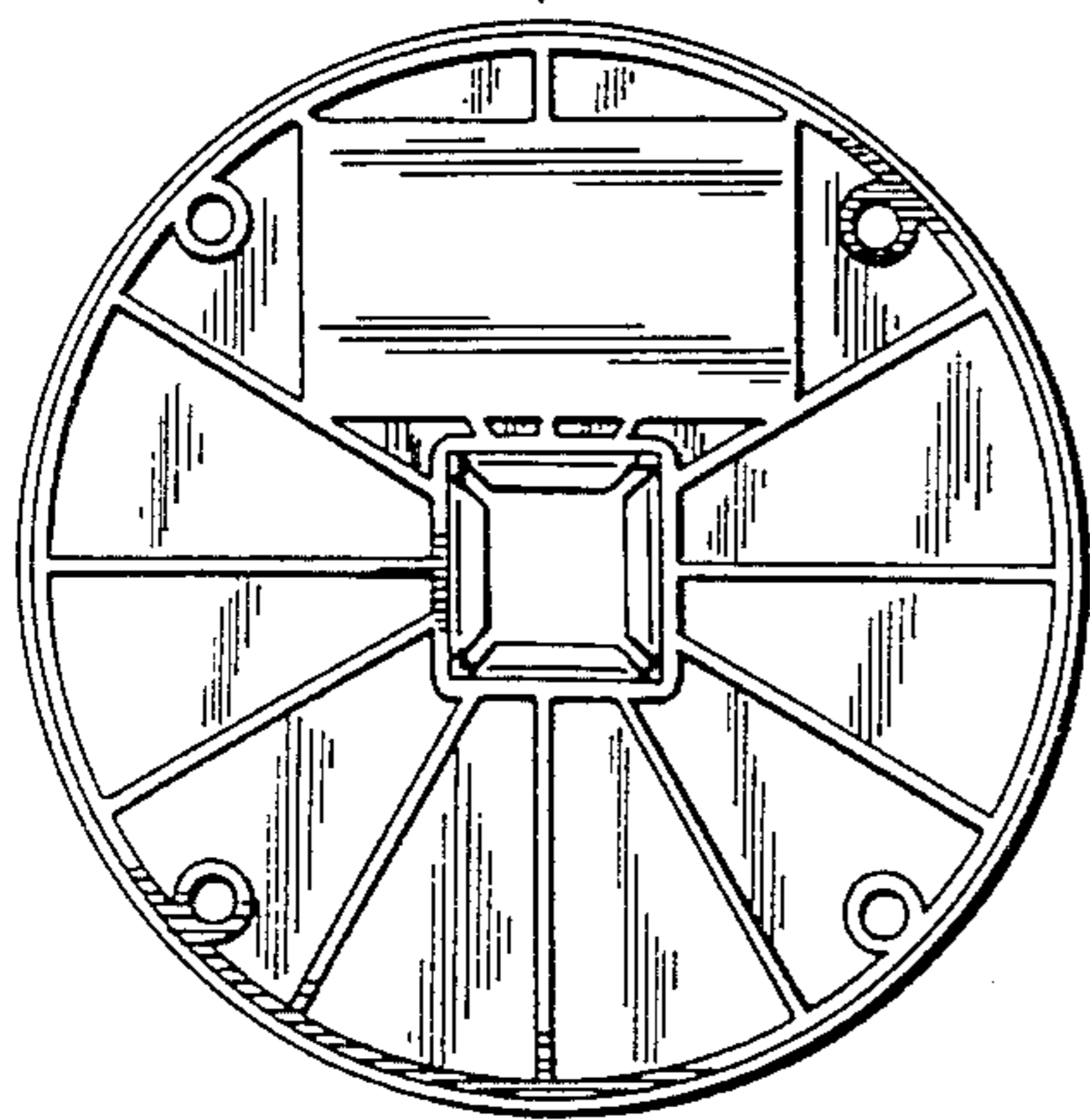


FIG. 13

← 15



← 15  
FIG. 14

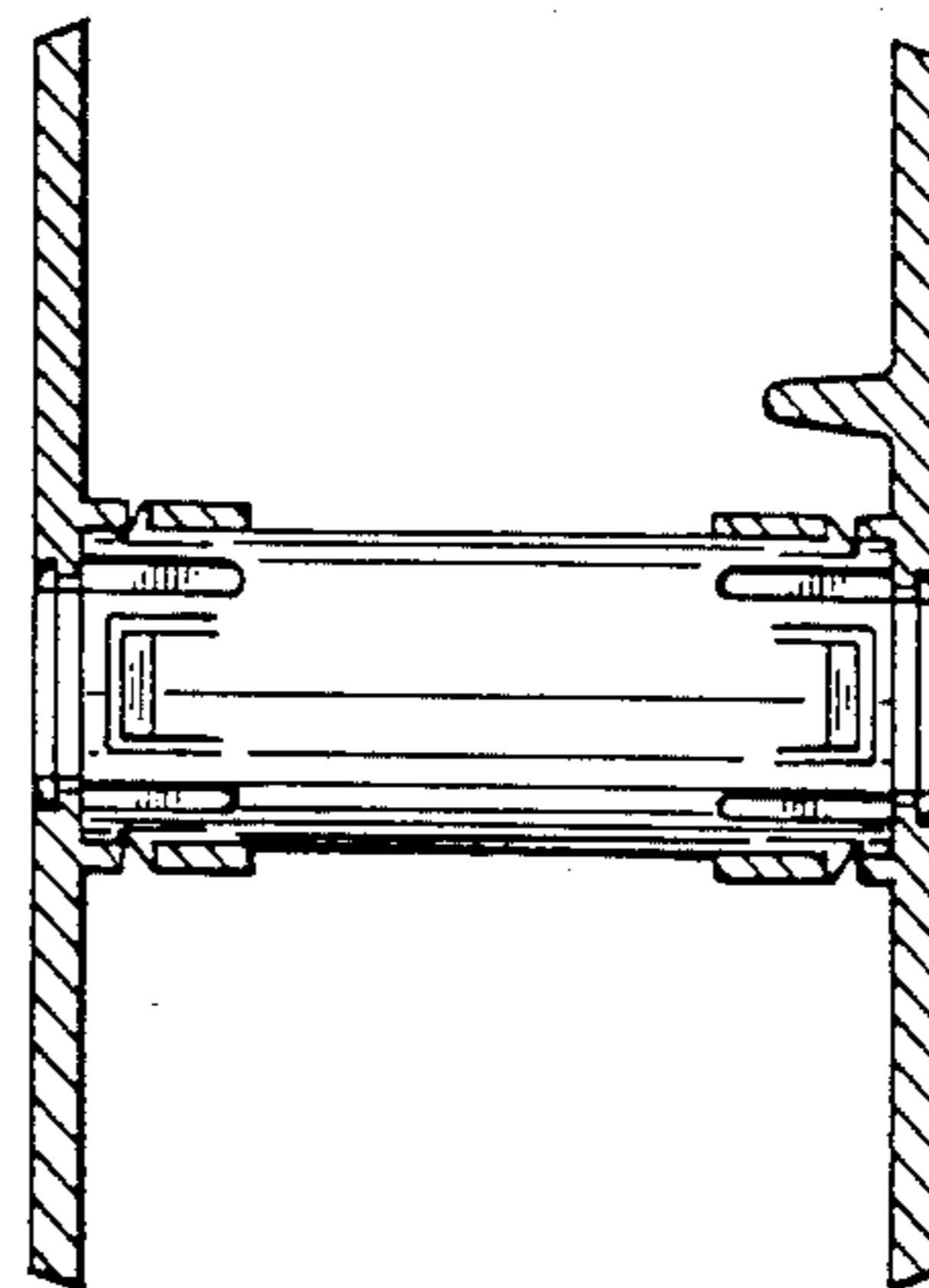


FIG. 15