

[54] **SUITCASE HANDLE**

[75] **Inventor: Gary Savage, Boucherville, Canada**

[73] **Assignee: Dionite Inc., Levis, Canada**

[\*\*] **Term: 14 Years**

[21] **Appl. No.: 775,230**

[22] **Filed: Sep. 12, 1985**

[52] **U.S. Cl. .... D8/316**

[58] **Field of Search ..... D8/300, 315, 316, 317,  
D8/319; 16/110 R, 111 R, 114 R, 12 P;  
190/115, 116**

[56] **References Cited**

**U.S. PATENT DOCUMENTS**

- D. 153,796 5/1949 Hefferan ..... D8/317
- D. 188,524 8/1960 Finkelstein ..... D8/306
- D. 214,299 5/1969 D'Elia ..... D8/317
- D. 216,385 12/1969 Amdal ..... D8/306

D. 216,865 3/1970 D'Elia et al. .... D8/306

**FOREIGN PATENT DOCUMENTS**

2430331 3/1980 France ..... 16/111 R

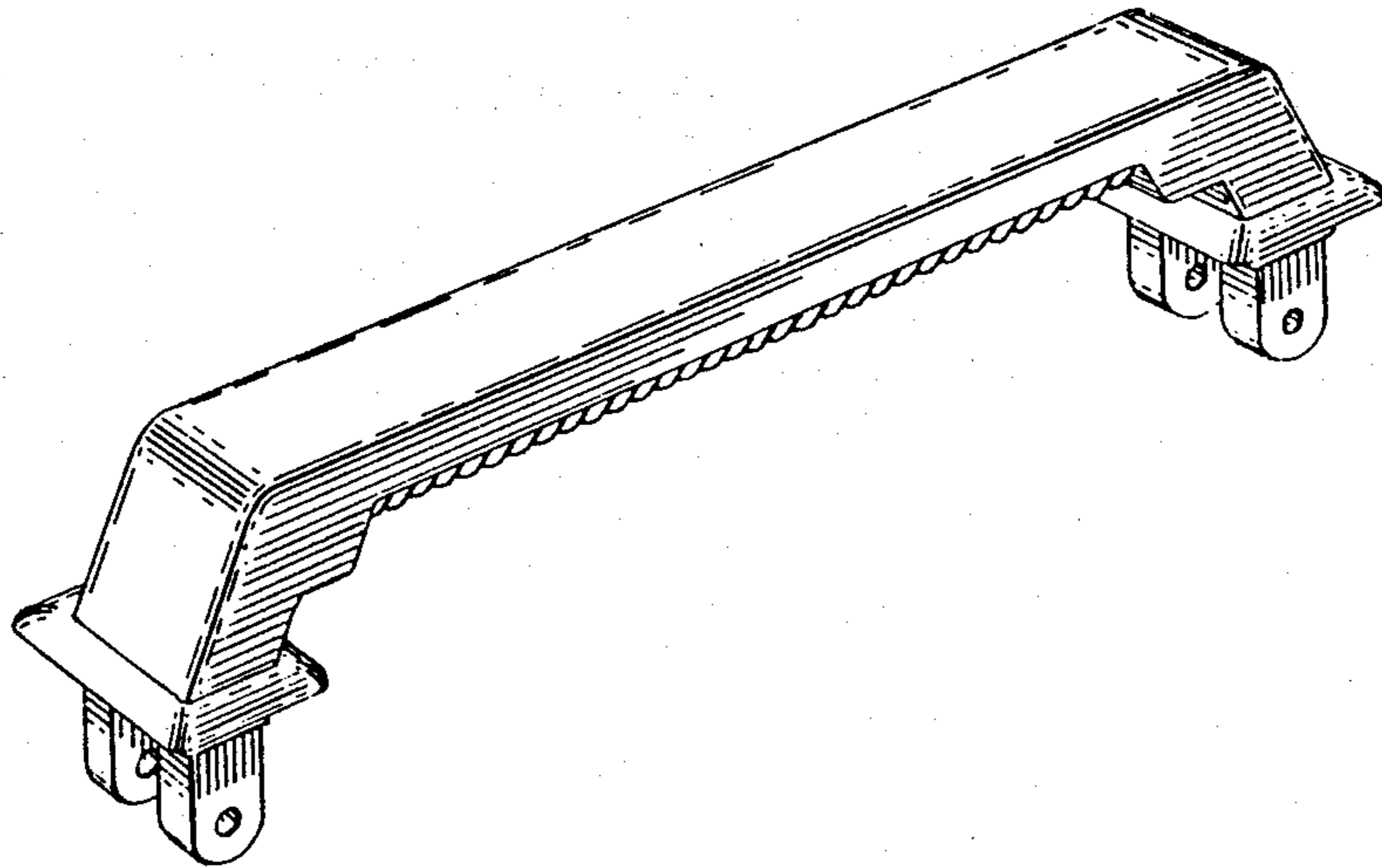
*Primary Examiner*—B. J. Bullock  
*Attorney, Agent, or Firm*—Jean H. Dubuc

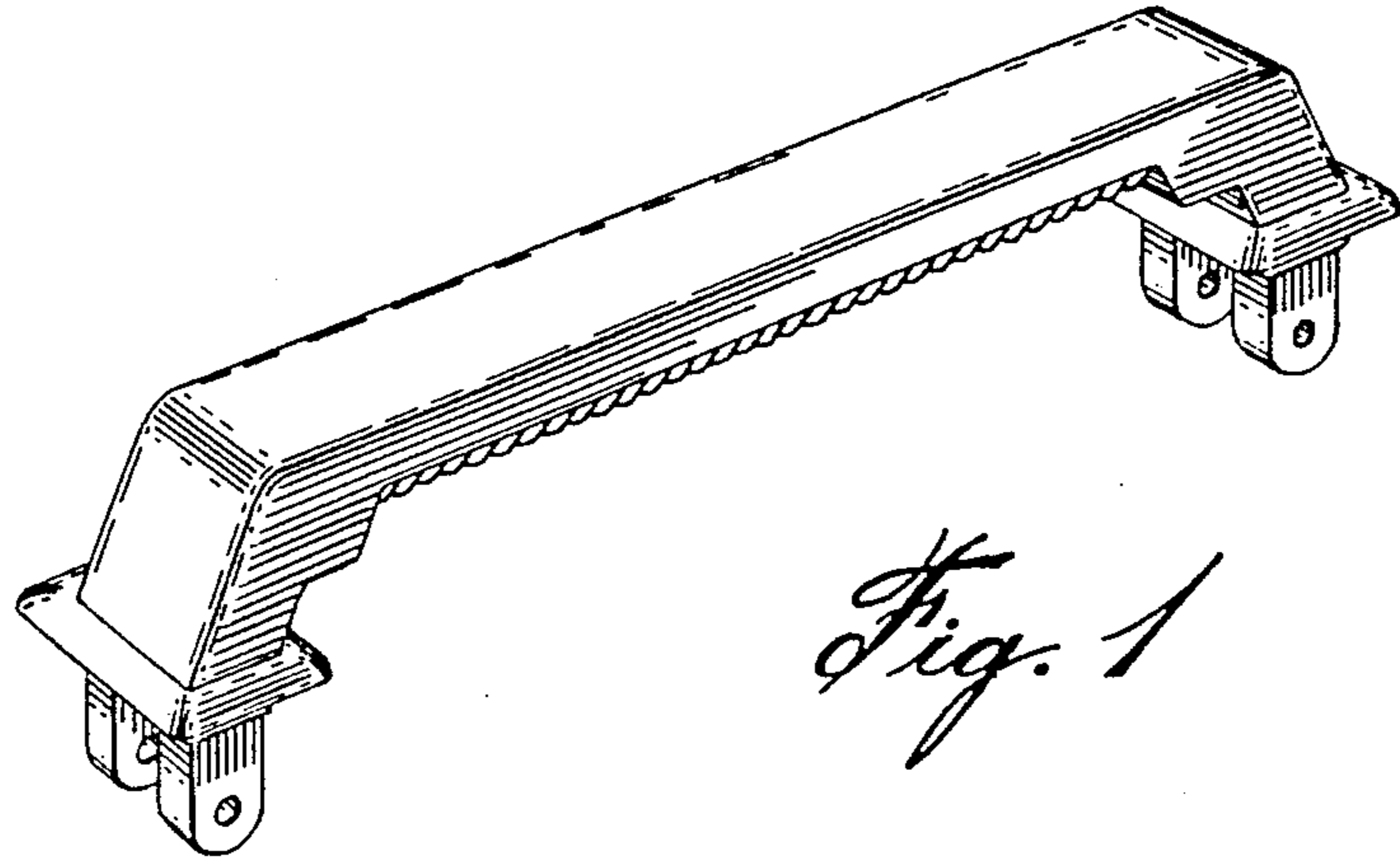
[57] **CLAIM**

The ornamental design for a suitcase handle, substantially as shown and described.

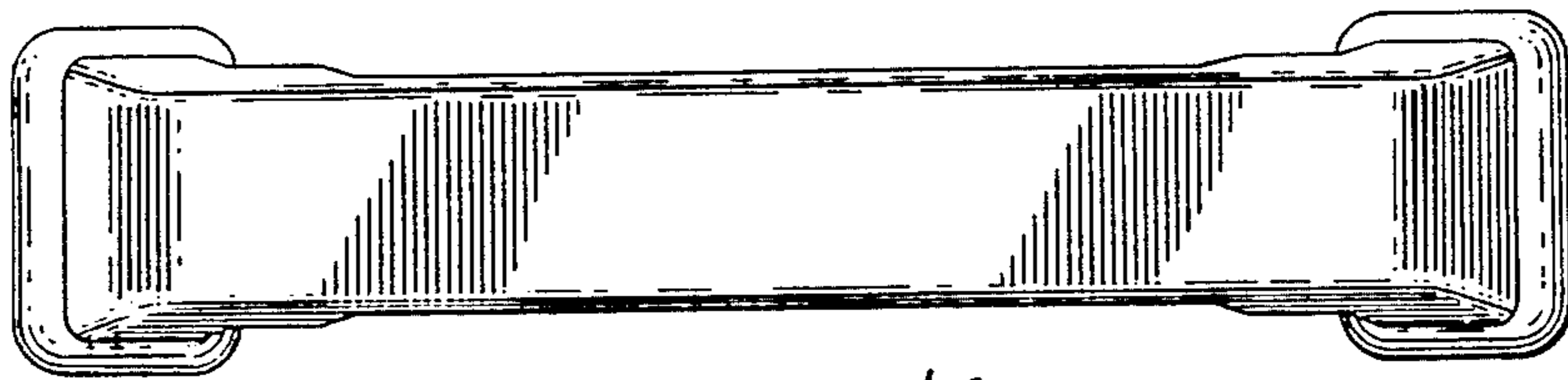
**DESCRIPTION**

FIG. 1 is a top, perspective view of a suitcase handle showing my new design;  
 FIG. 2 is a top plan view thereof;  
 FIG. 3 is a side elevational view thereof;  
 FIG. 4 is a bottom plan view thereof;  
 FIG. 5 is an end elevational view thereof; and  
 FIG. 6 is an enlarged sectional view taken in the direction of the arrows on line 6—6 of FIG. 3.

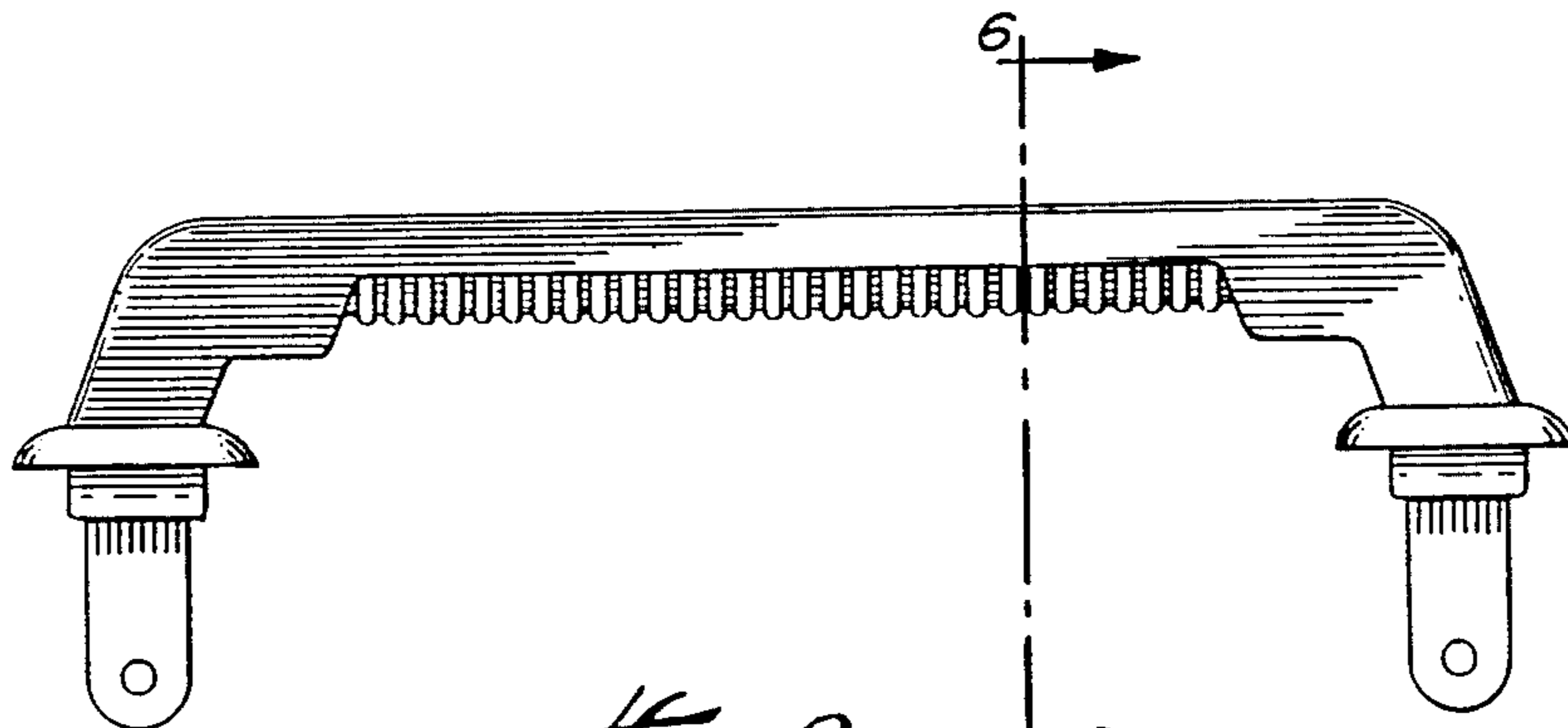




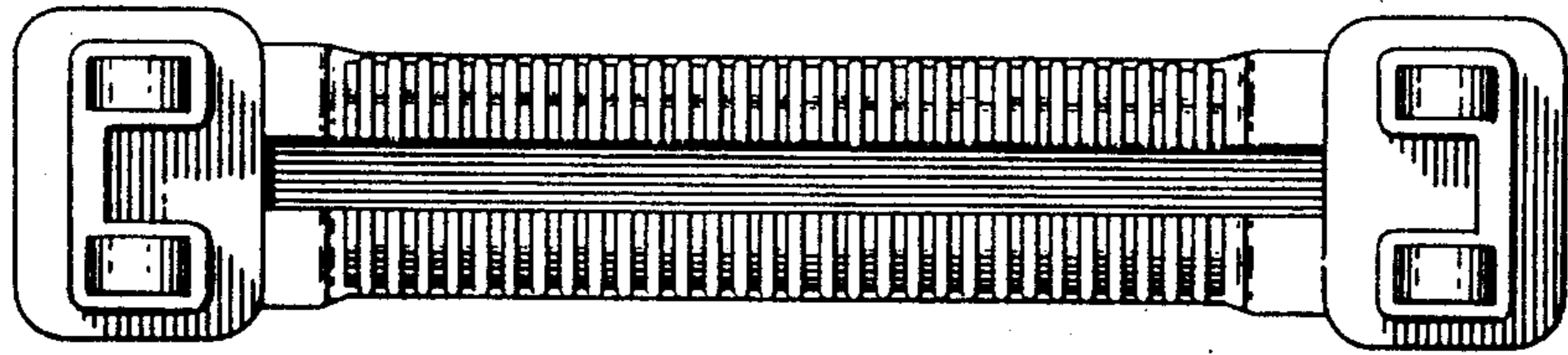
*Fig. 1*



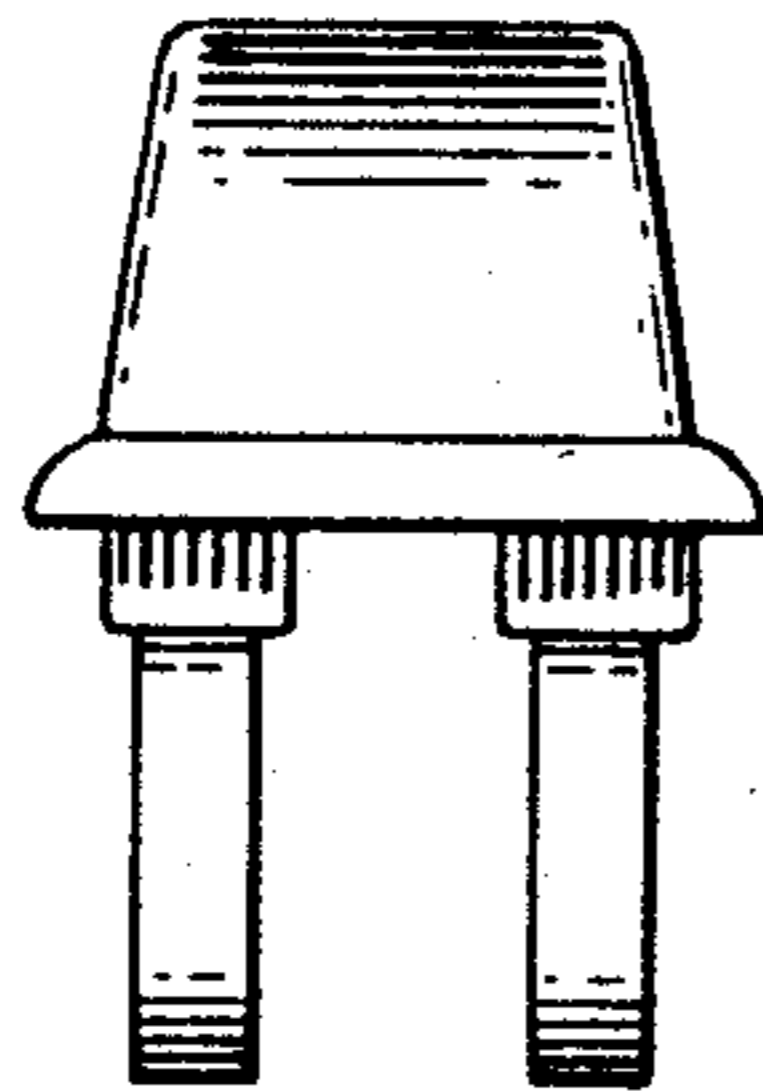
*Fig. 2*



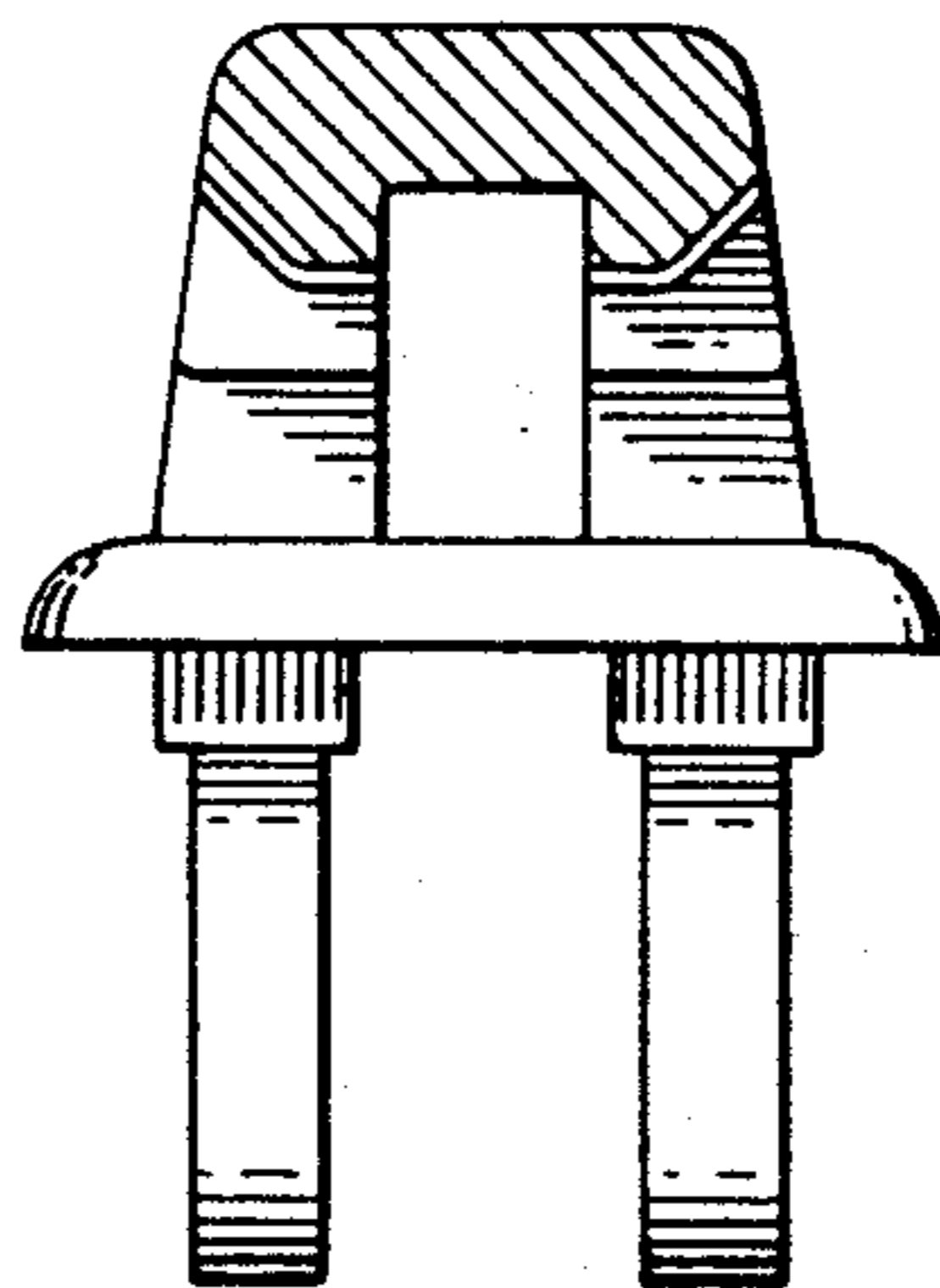
*Fig. 3*



*Fig. 4*



*Fig. 5*



*Fig. 6*