

[54] **DOOR HANDLE**

[75] **Inventor: Stanley M. Paul, Rye, N.Y.**

[73] **Assignee: Paul Associates, Long Island City, N.Y.**

[\*\*] **Term: 14 Years**

[21] **Appl. No.: 787,244**

[22] **Filed: Oct. 15, 1985**

[52] **U.S. Cl. .... D8/308; D8/316**

[58] **Field of Search ..... D8/300, 307, 308, 316;  
D23/28, 29, 31; 74/523; 16/110 R, 111 R, 114  
R, 121, DIG. 30**

[56] **References Cited**

**U.S. PATENT DOCUMENTS**

D. 83,158 1/1931 Graff ..... D8/308  
D. 92,928 7/1934 Sayre ..... D8/302

**OTHER PUBLICATIONS**

Architectural Record; 12/1964; p. 214; Mercury Design Lever (lower left column).  
Paul Associates Cat.; 12/1/82; p. 49; Lever 552; p. 51; Lever 553.

*Primary Examiner*—B. J. Bullock  
*Attorney, Agent, or Firm*—Darby & Darby

[57] **CLAIM**

The ornamental design for a door handle, as shown and described.

**DESCRIPTION**

FIG. 1 is a perspective view of a door handle showing my new design;  
FIG. 2 is a top view thereof, the bottom being a mirror image;  
FIG. 3 is a front view thereof;  
FIG. 4 is a rear view thereof; and  
FIG. 5 is a left side view thereof, the right side being a mirror image.

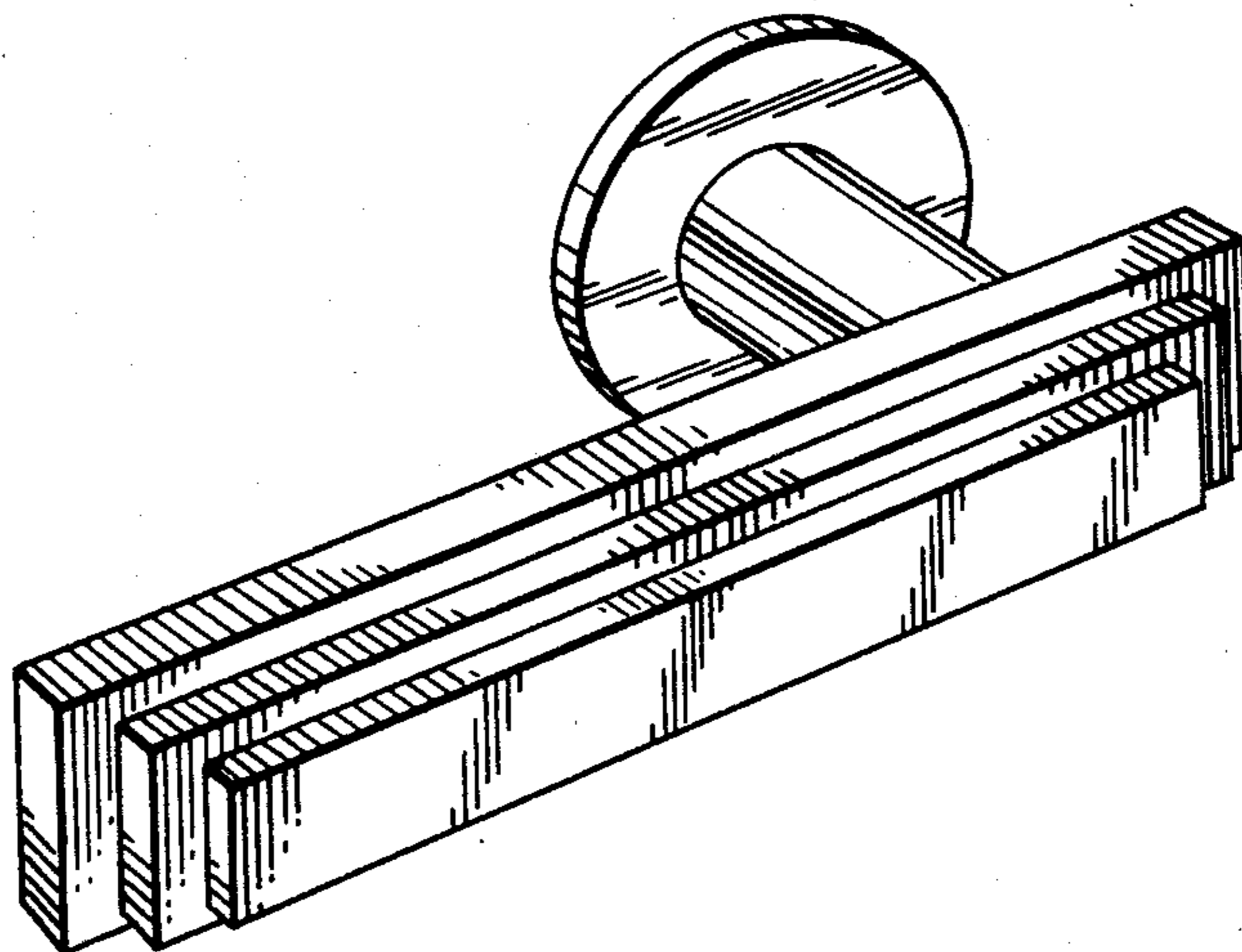


FIG. 1

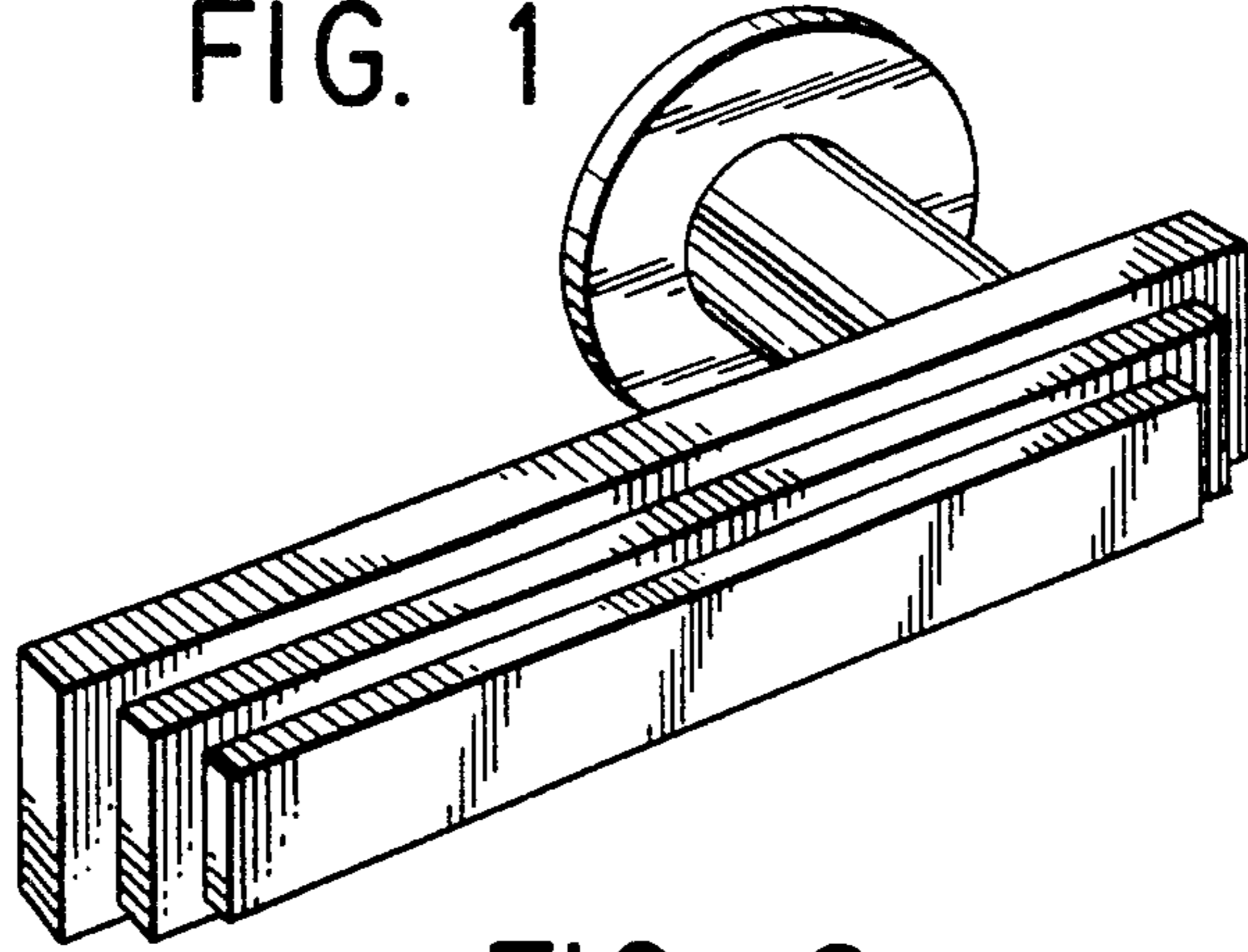


FIG. 2

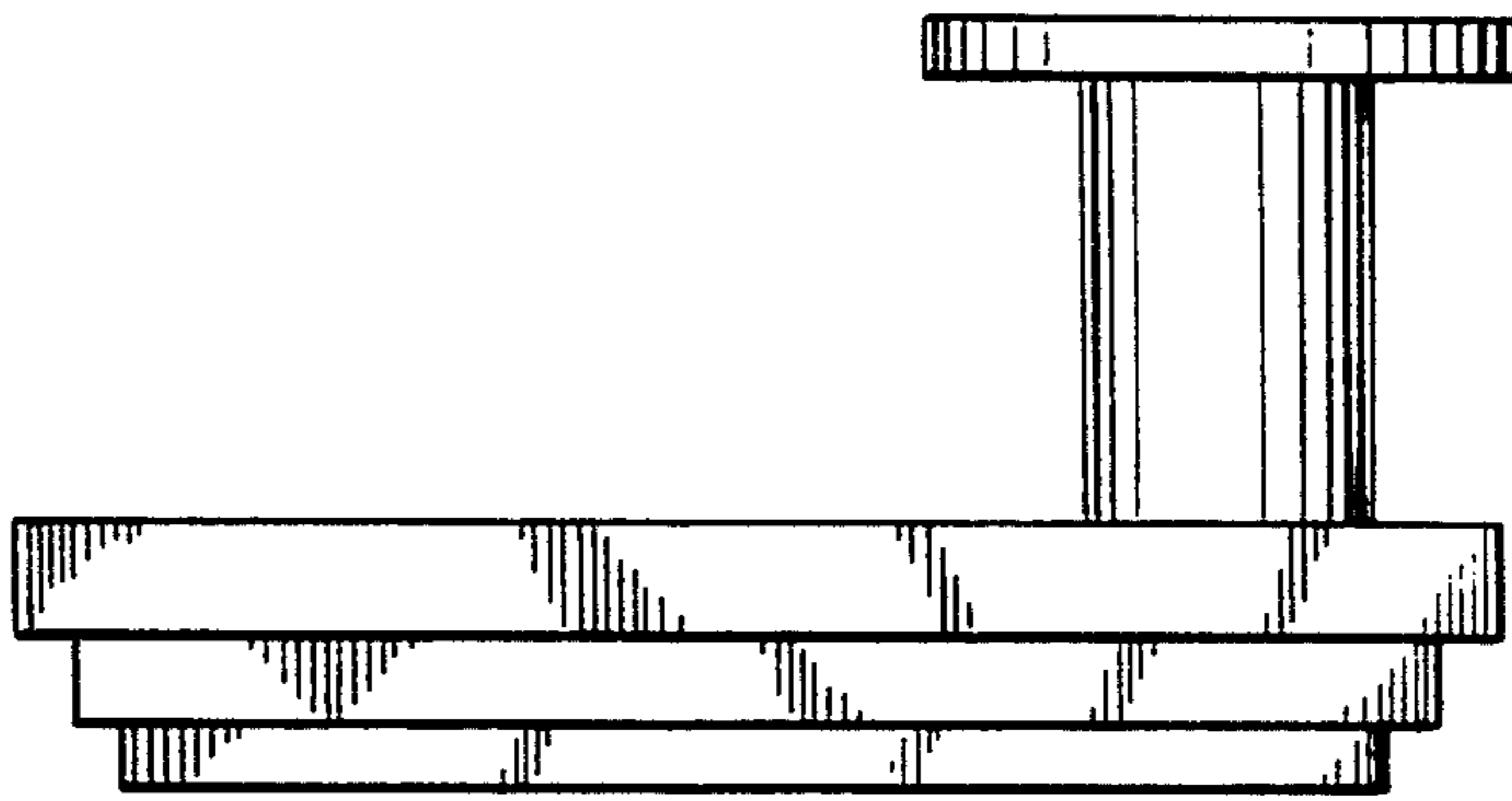


FIG. 3

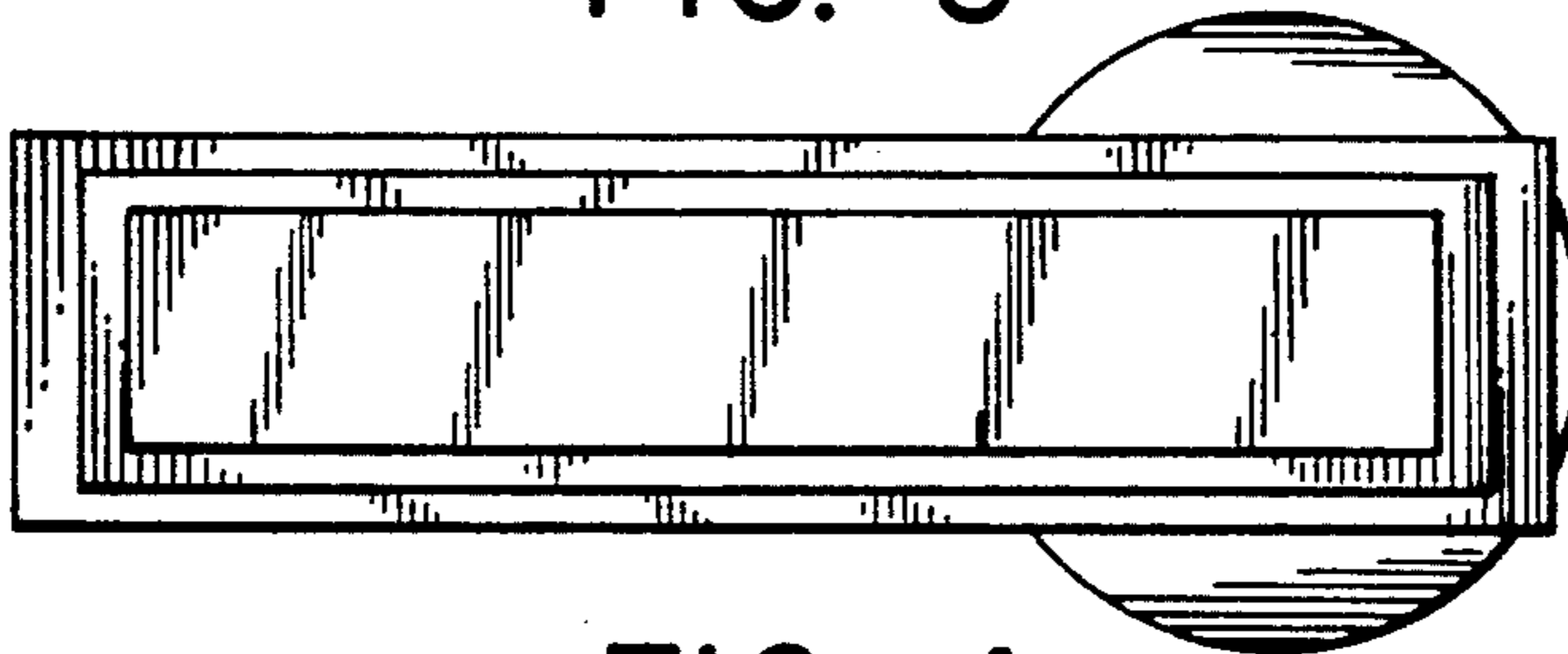


FIG. 4

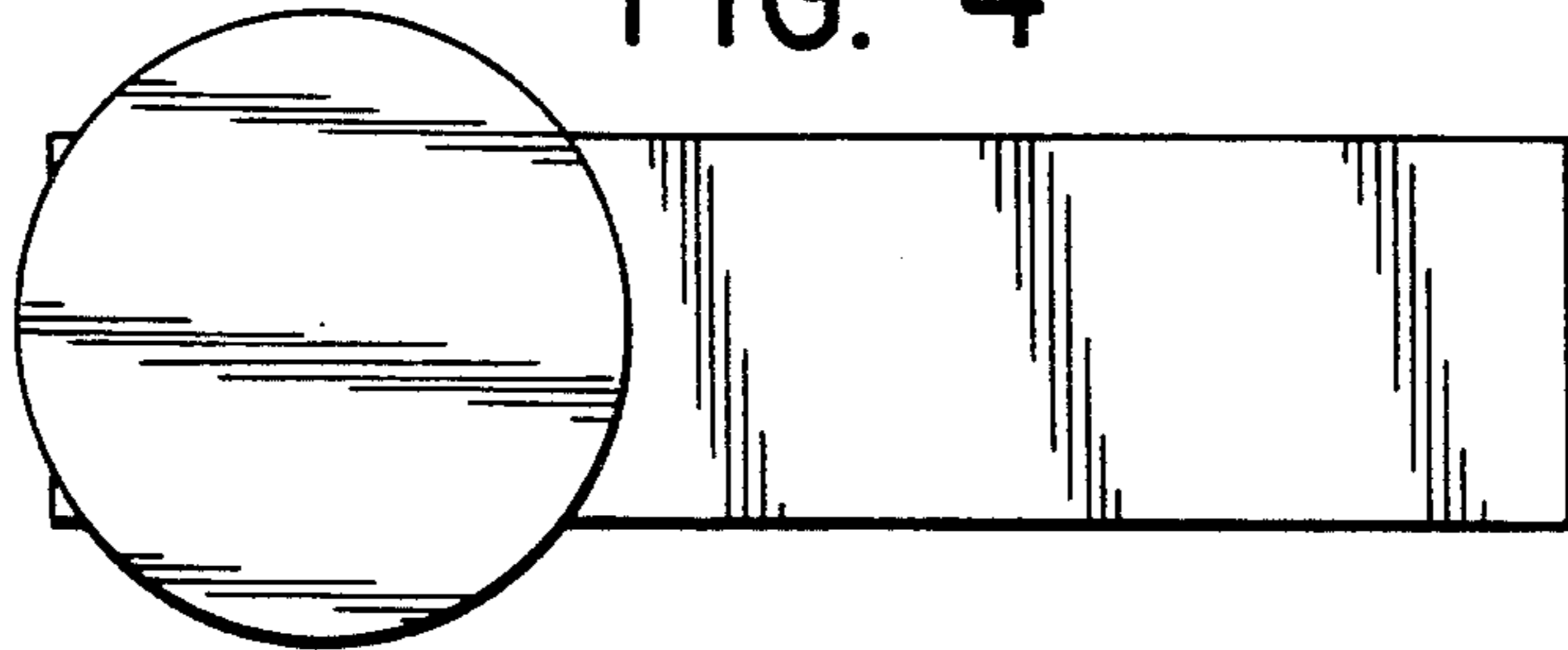


FIG. 5

