

[54] DOOR HANDLE

[76] Inventor: Aldo Cibic, Via Legnano 28, 20121 Milan, Italy

[**] Term: 14 Years

[21] Appl. No.: 701,983

[22] Filed: Feb. 15, 1985

[30] Foreign Application Priority Data

Aug. 29, 1984 [IT] Italy 22944/84[U]

[52] U.S. Cl. D8/308

[58] Field of Search D8/300, 307, 308, 302; D23/28, 29, 31; 14/523; 16/110 R, 111 R, 114 R, 121, DIG. 30

[56] References Cited

U.S. PATENT DOCUMENTS

- D. 83,158 1/1931 Graff D8/308
- D. 92,928 7/1934 Sayre D8/302

OTHER PUBLICATIONS

General Lock, Inc. Cat.; ©1965; Section I; pp. 1-4; Lever #44.
Design; 5/1952; p. 27; Lever (lower right corner).
Paul Assoc. Cat.; 12/1/82; p. 50, Lever 734 (lower right corner).

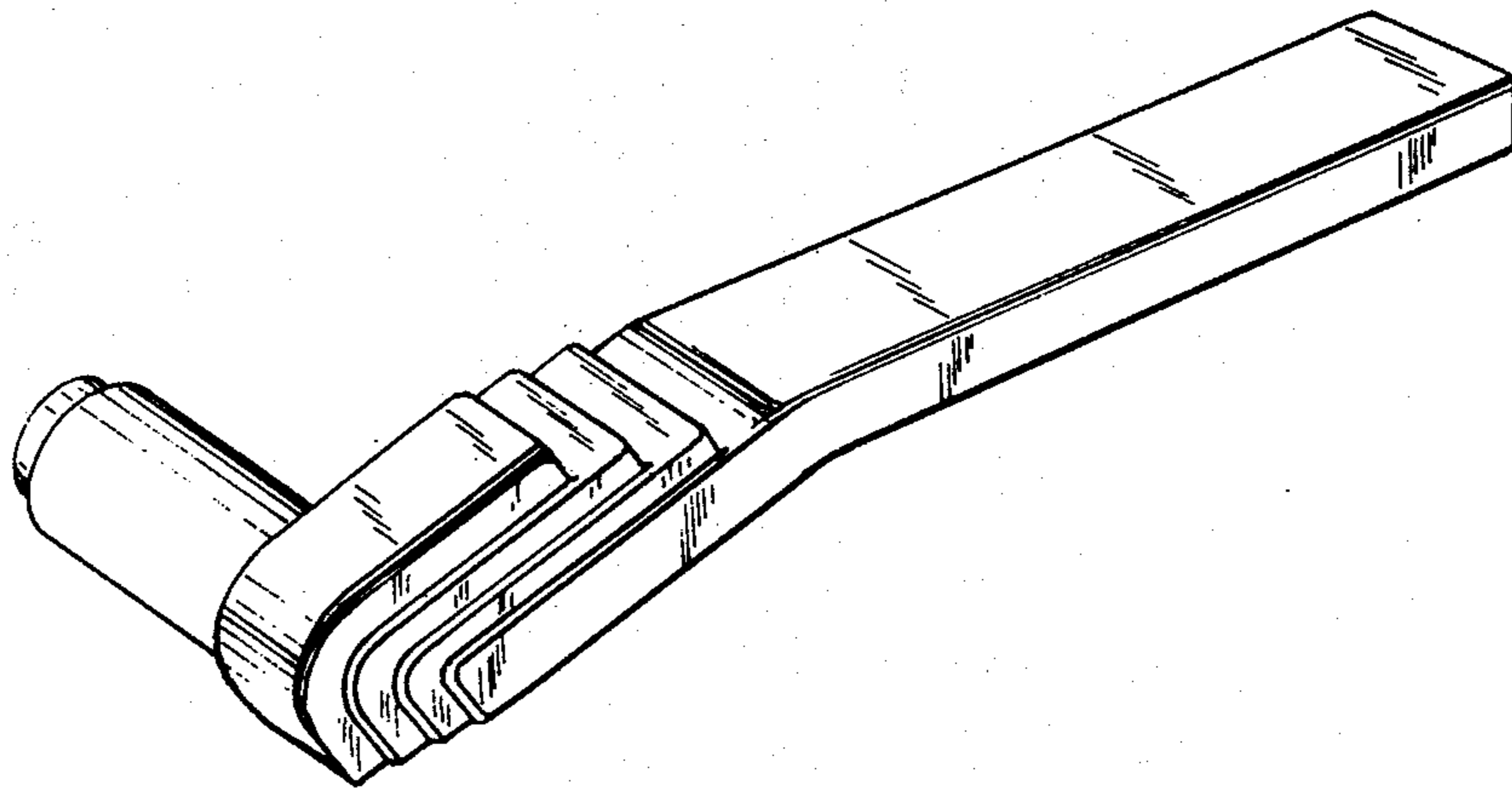
Primary Examiner—B. J. Bullock
Attorney, Agent, or Firm—Steinberg & Raskin

[57] CLAIM

The ornamental design for a door handle, as shown.

DESCRIPTION

FIG. 1 is a front view of a door handle showing my new design;
FIG. 2 is a left end view thereof;
FIG. 3 is a right end view thereof;
FIG. 4 is a top view thereof;
FIG. 5 is a bottom view thereof;
FIG. 6 is a perspective view thereof.



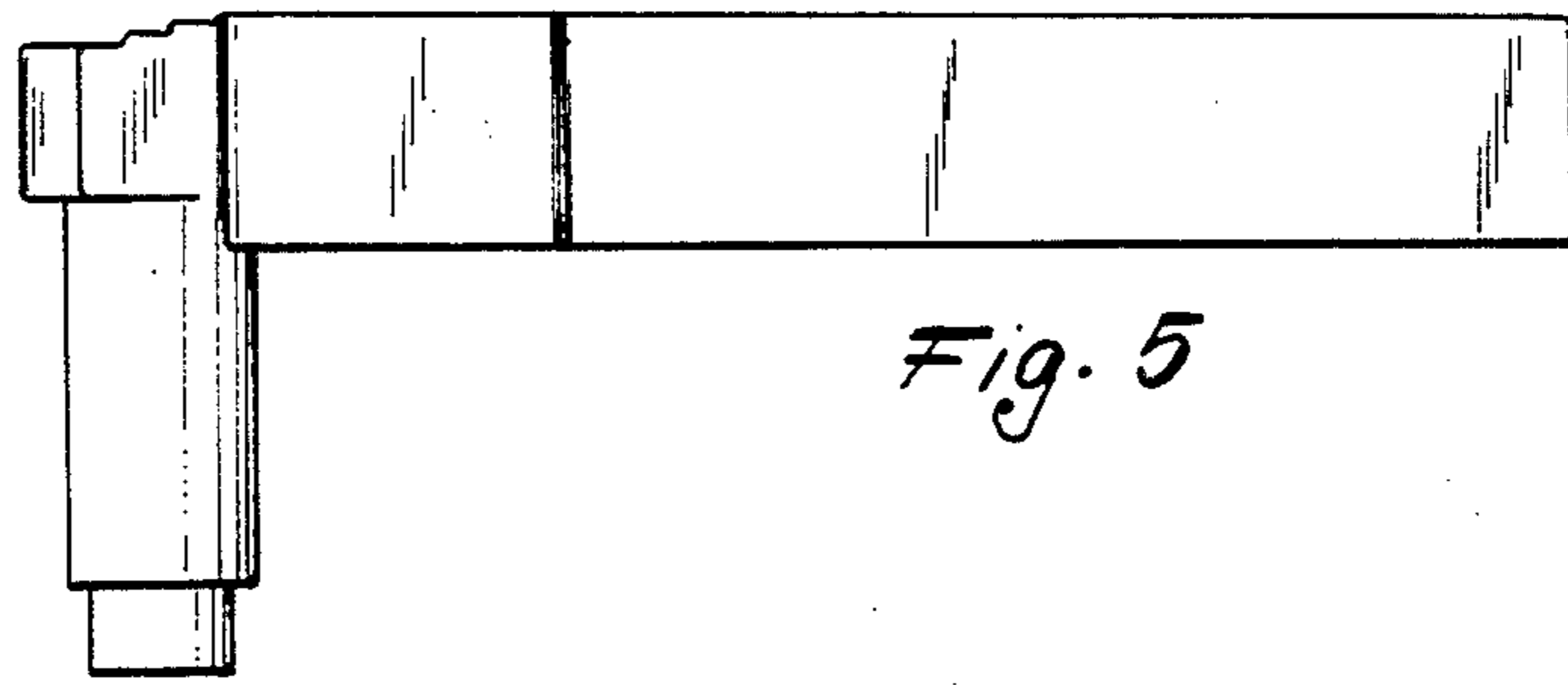


Fig. 5

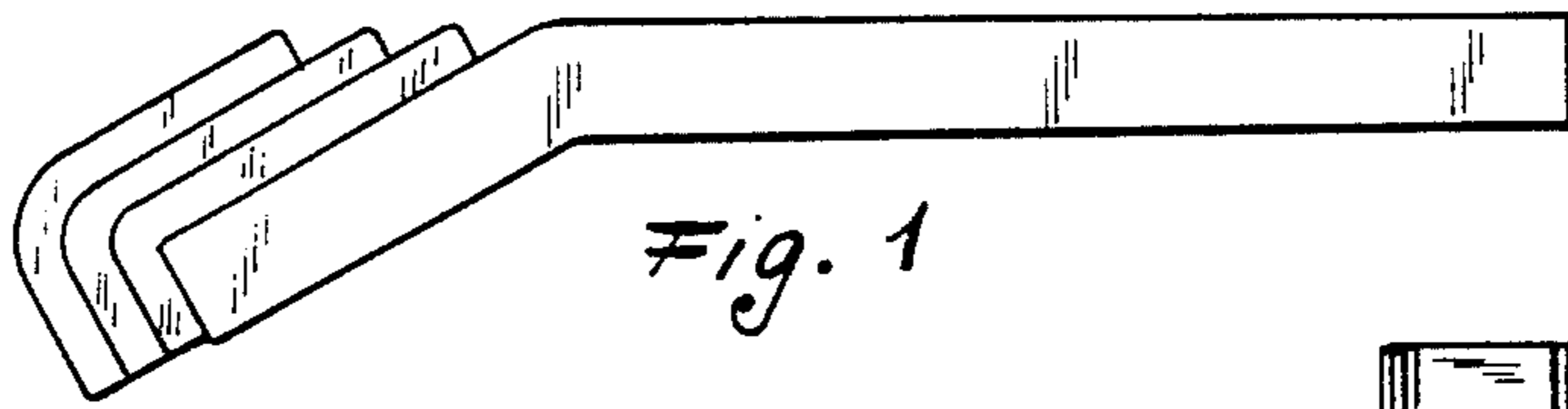


Fig. 1

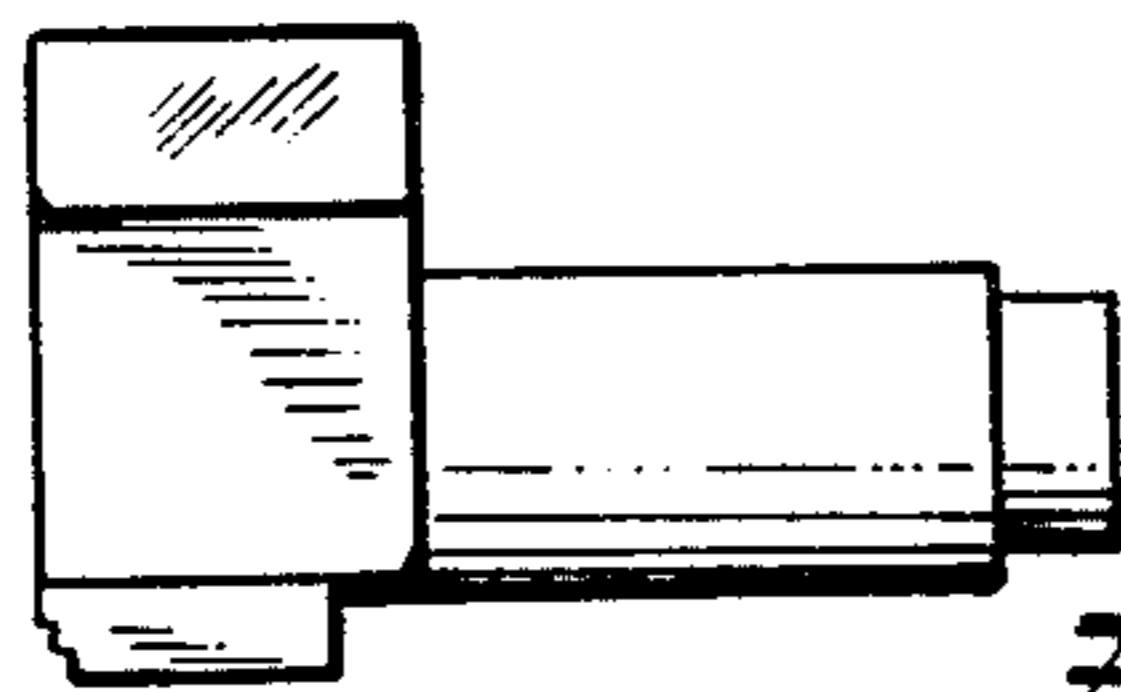


Fig. 3

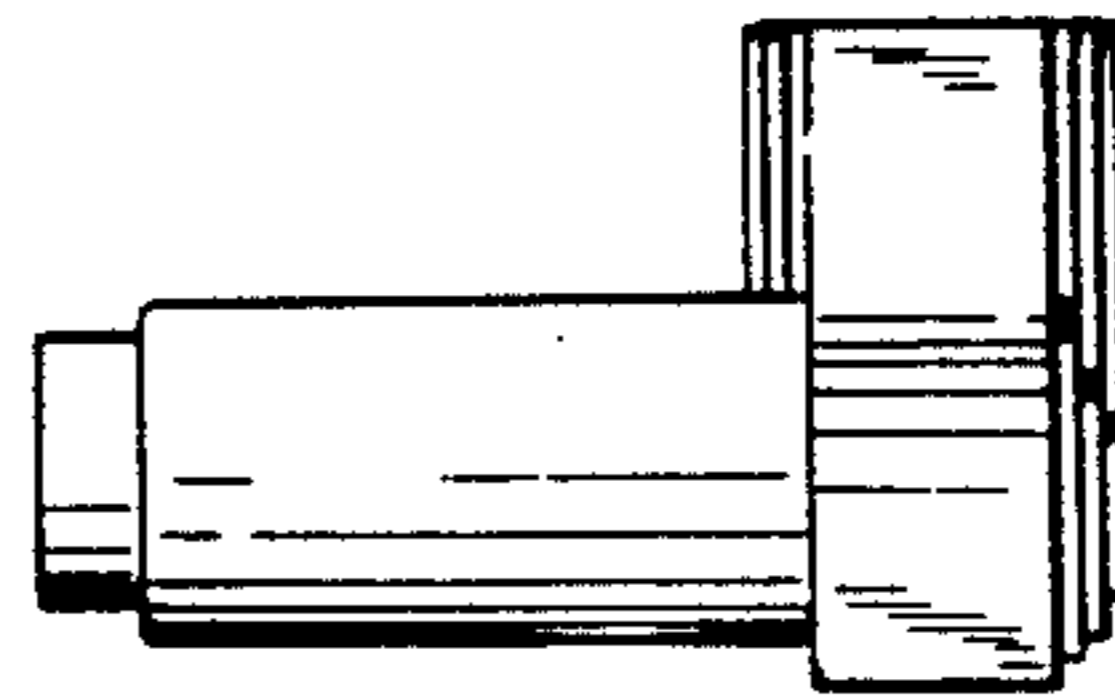


Fig. 2

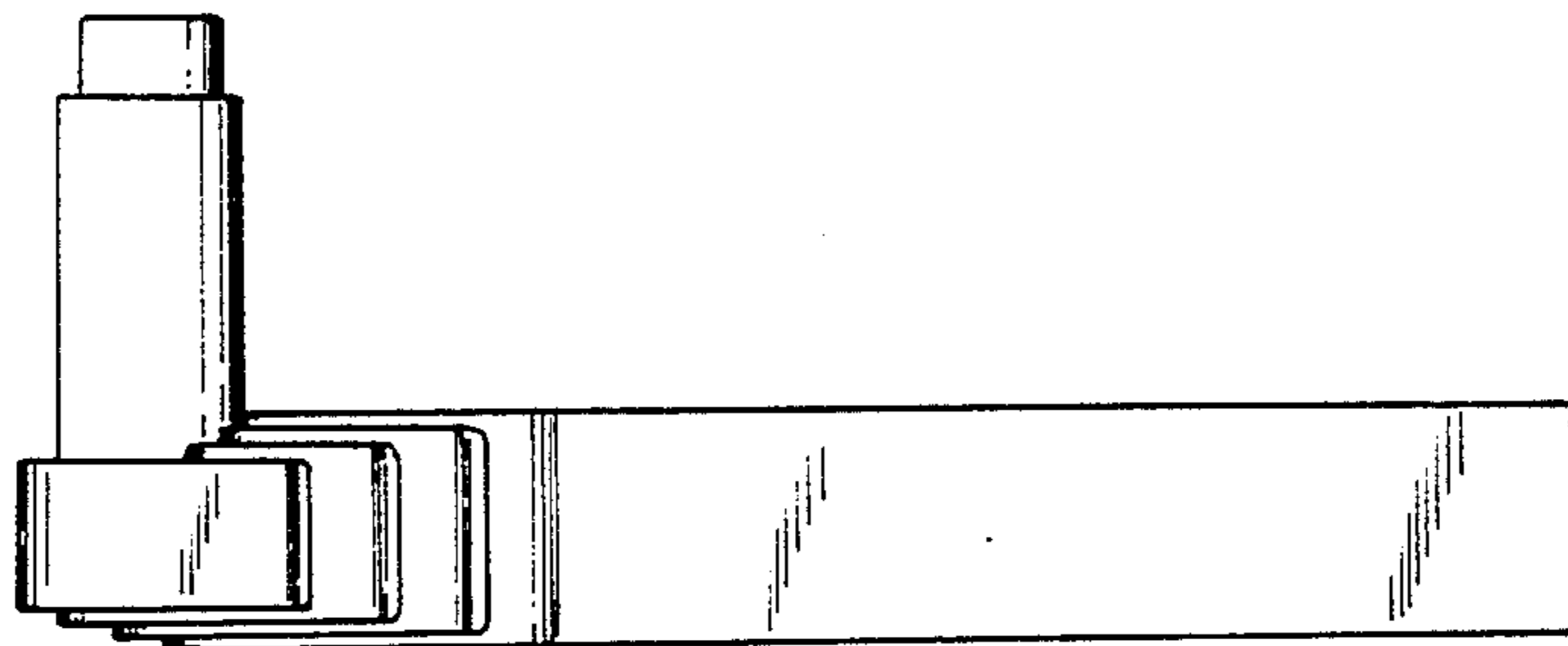


Fig. 4

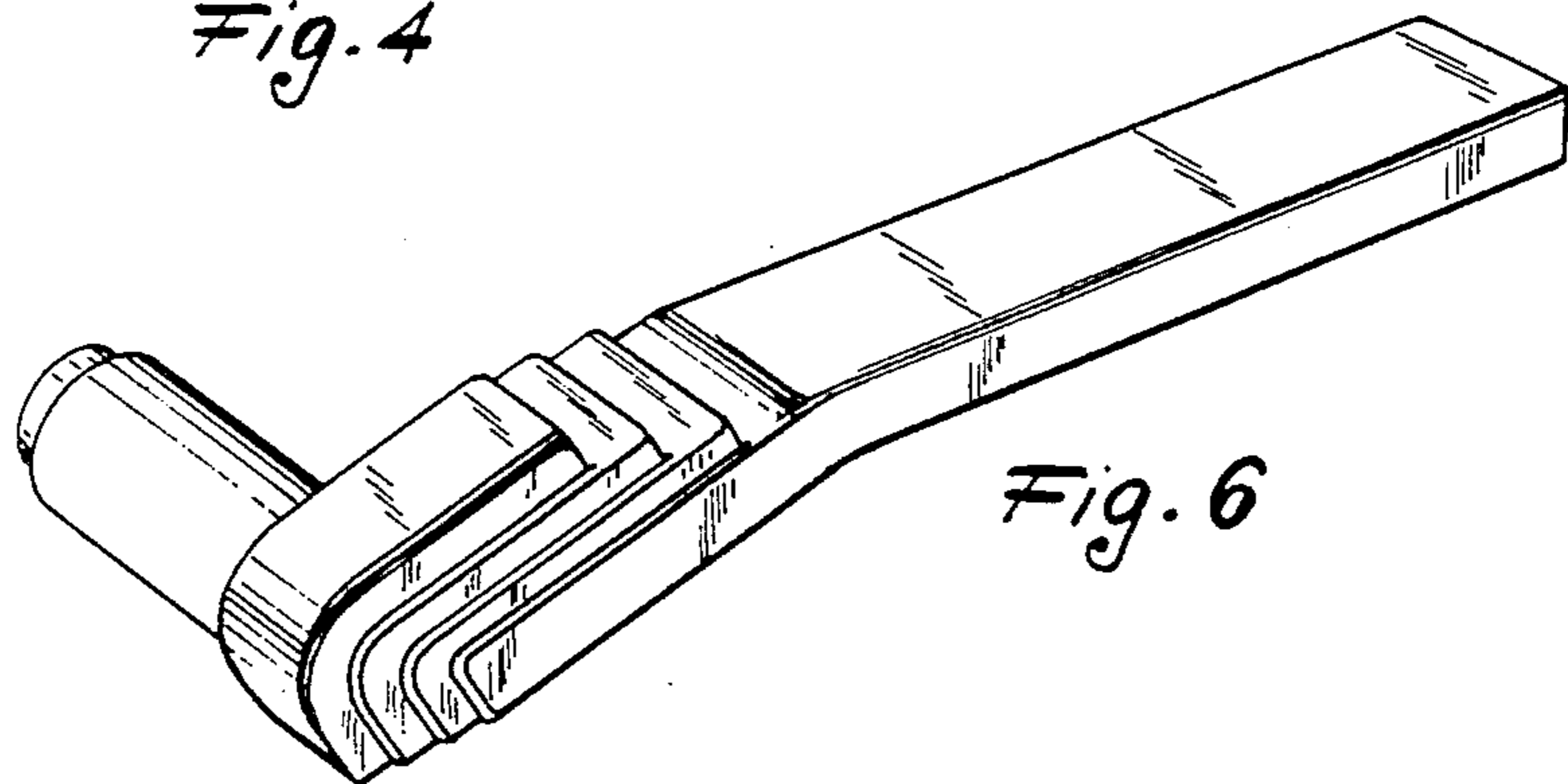


Fig. 6