

[54] PEANUT BUTTER MACHINE

3,912,179 10/1975 Hartig, Jr. et al. .... 241/248  
4,290,560 9/1981 Tabah ..... 241/261

[76] Inventor: Victor V. Tabah, 431 Burnside Ave.,  
Apt. 11-J, Los Angeles, Calif. 90036

OTHER PUBLICATIONS

Home Furnishing's Daily, Jun. 11, 1975, p. 13, Salton  
Peanut Butter Machine.

[\*\*] Term: 14 Years

Primary Examiner—Wallace R. Burke  
Assistant Examiner—Ruth E. Takemoto  
Attorney, Agent, or Firm—Herzig & Yanny

[21] Appl. No.: 621,198

[22] Filed: Jun. 15, 1984

[52] U.S. Cl. .... D7/372

[58] Field of Search ..... D7/368, 372; 426/632,  
426/633; 241/84.1, 260.1, 261, 244-246, 248,  
257 R, 258, 285 R, 285 A, 285 B; D1/127;  
D20/1

CLAIM

[57] The ornamental design for a peanut butter machine,  
substantially as shown and described.

DESCRIPTION

FIG. 1 is a perspective view of a peanut butter machine  
showing my new design;

FIG. 2 is a side elevational view thereof;

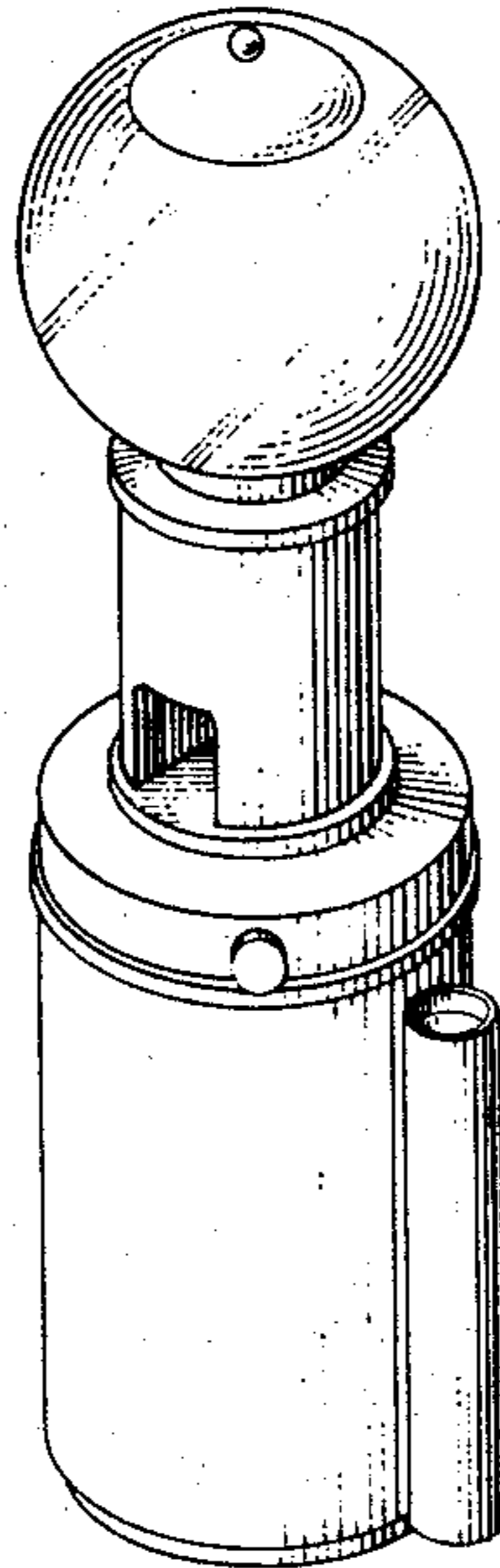
FIG. 3 is a bottom plan view thereof; and

FIG. 4 is a top plan view thereof.

[56] References Cited

U.S. PATENT DOCUMENTS

D. 63,609 12/1923 Booth ..... D20/1  
1,764,700 6/1930 Spielman et al. .... 241/257 R  
2,302,574 11/1942 Richardson et al. .... 426/633



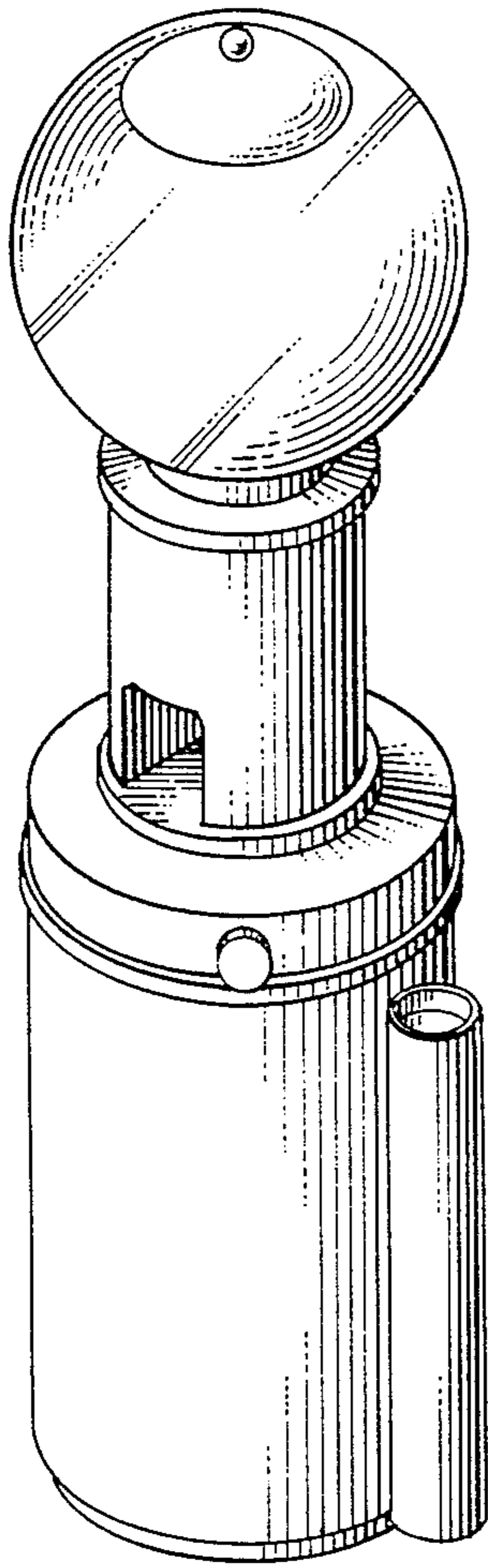


FIG. 1.

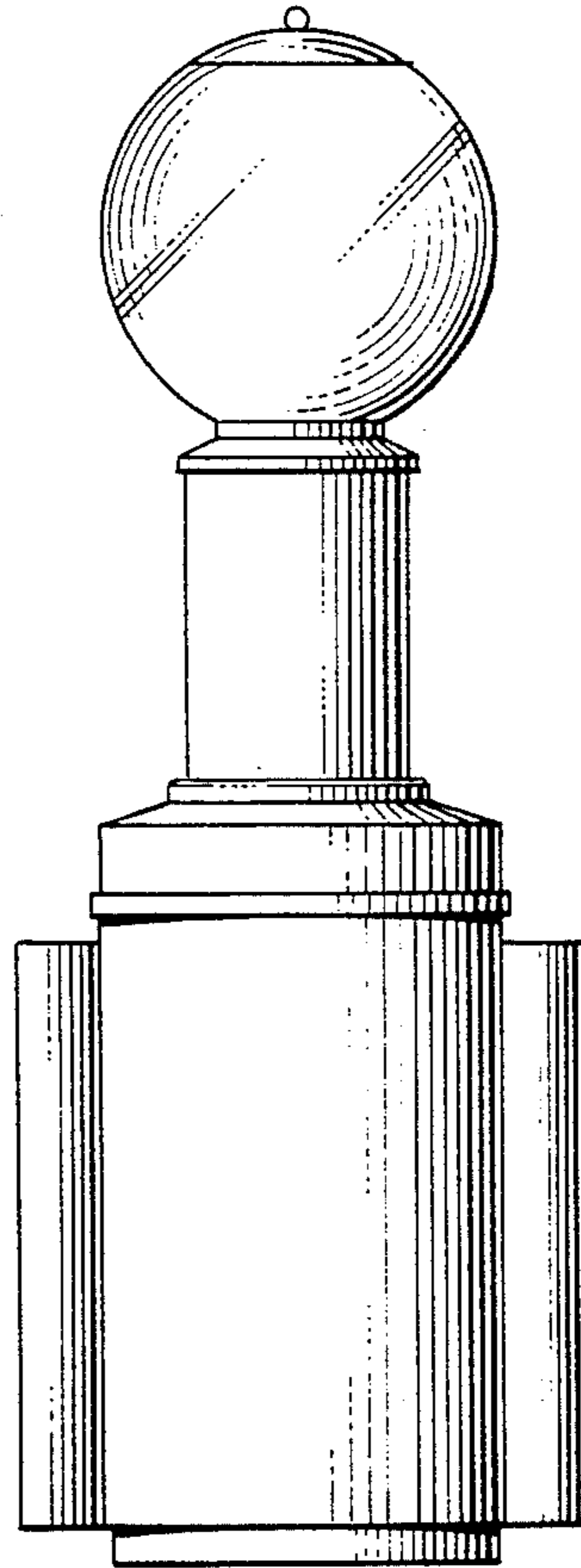


FIG. 2.

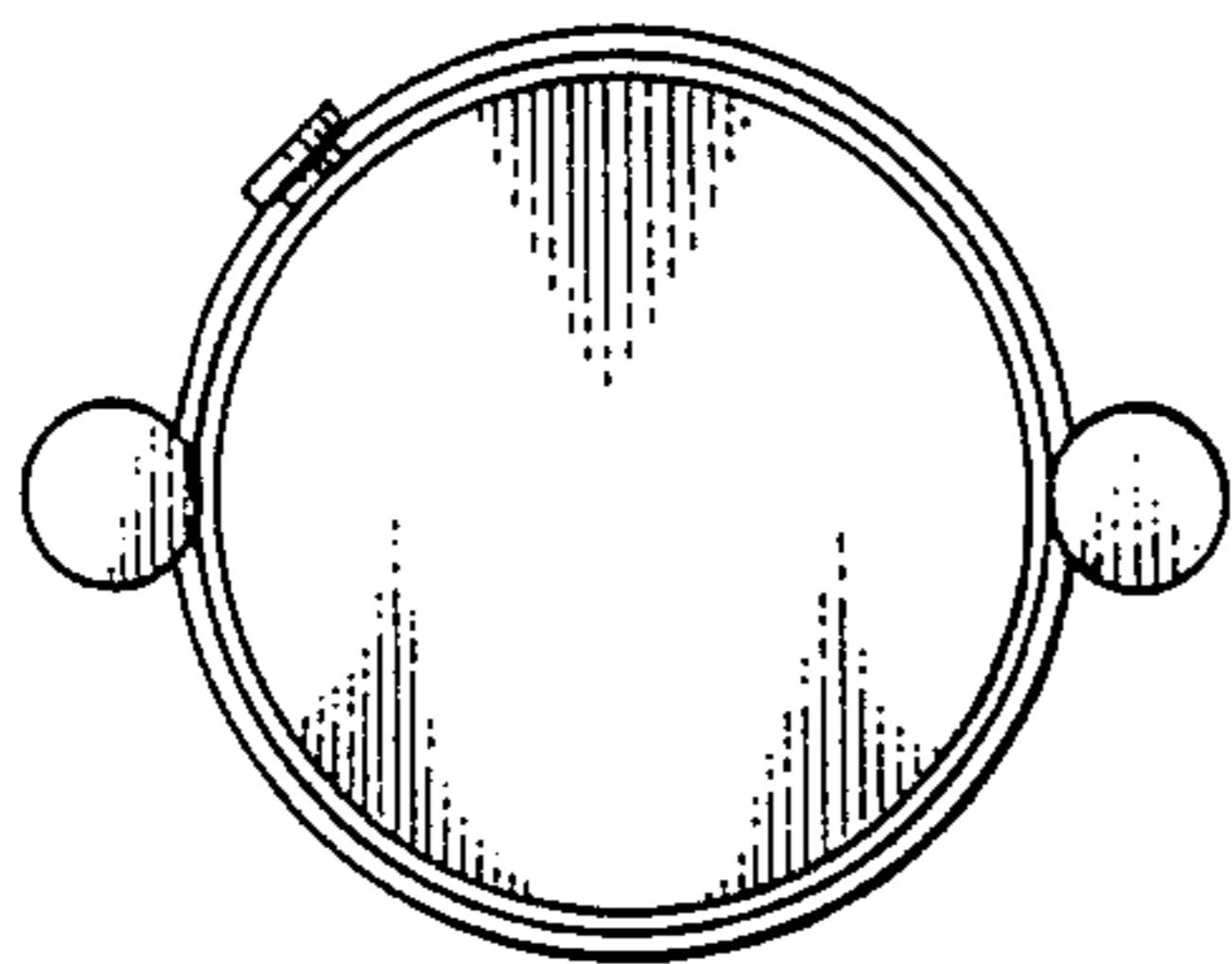


FIG. 3.

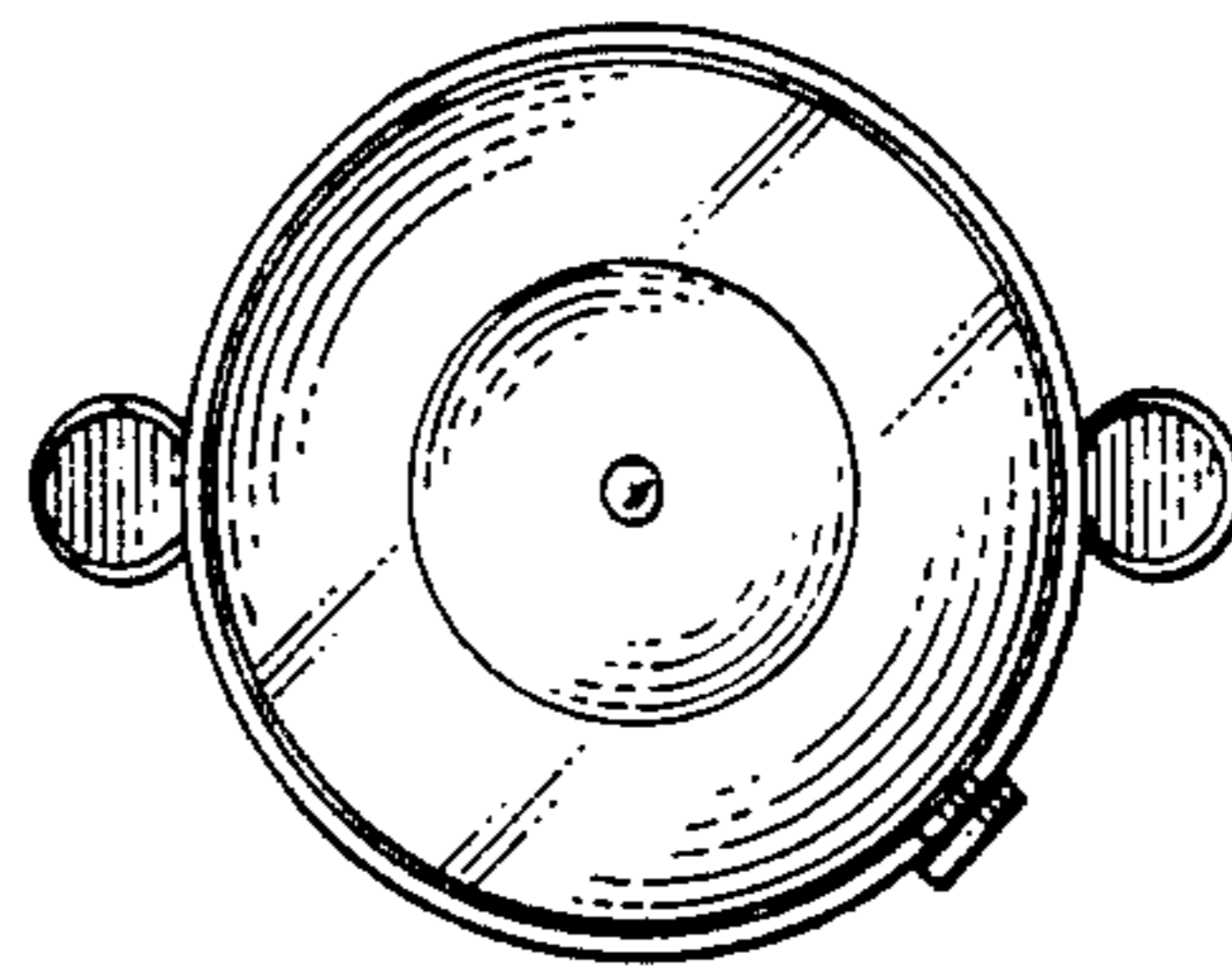


FIG. 4.