

[54] COVERED SERVING TRAY OR THE LIKE

[75] Inventors: Robert H. C. M. Daenen, Hekelgem; Victor J. J. Cautereels, Borsbeek, both of Belgium

[73] Assignee: Dart Industries Inc., Northbrook, Ill.

[**] Term: 14 Years

[21] Appl. No.: 646,276

[22] Filed: Aug. 30, 1984

[52] U.S. Cl. D7/17; D7/83

[58] Field of Search D7/78, 354, 79, 83, D7/17, 18, 40, 16, 76; 220/94 A

[56] References Cited

U.S. PATENT DOCUMENTS

D. 252,178	6/1979	Christian	D7/17 X
D. 257,607	12/1980	Smith	D7/17
D. 270,322	8/1983	Daenen et al.	D7/17 X
D. 276,118	10/1984	Conti et al.	D7/40
1,863,793	6/1932	Hermani	220/94 A X
2,765,831	10/1956	Tupper	D7/83 X
4,385,554	5/1983	Daenen et al.	D7/17 X

OTHER PUBLICATIONS

Idea 55, ©1955, TS 149 I3, p. 19, Covers for Casseroles in middle panel #44 "Kaarina AHO-Finland".

Primary Examiner—Winifred E. Herrmann
Attorney, Agent, or Firm—John A. Doninger

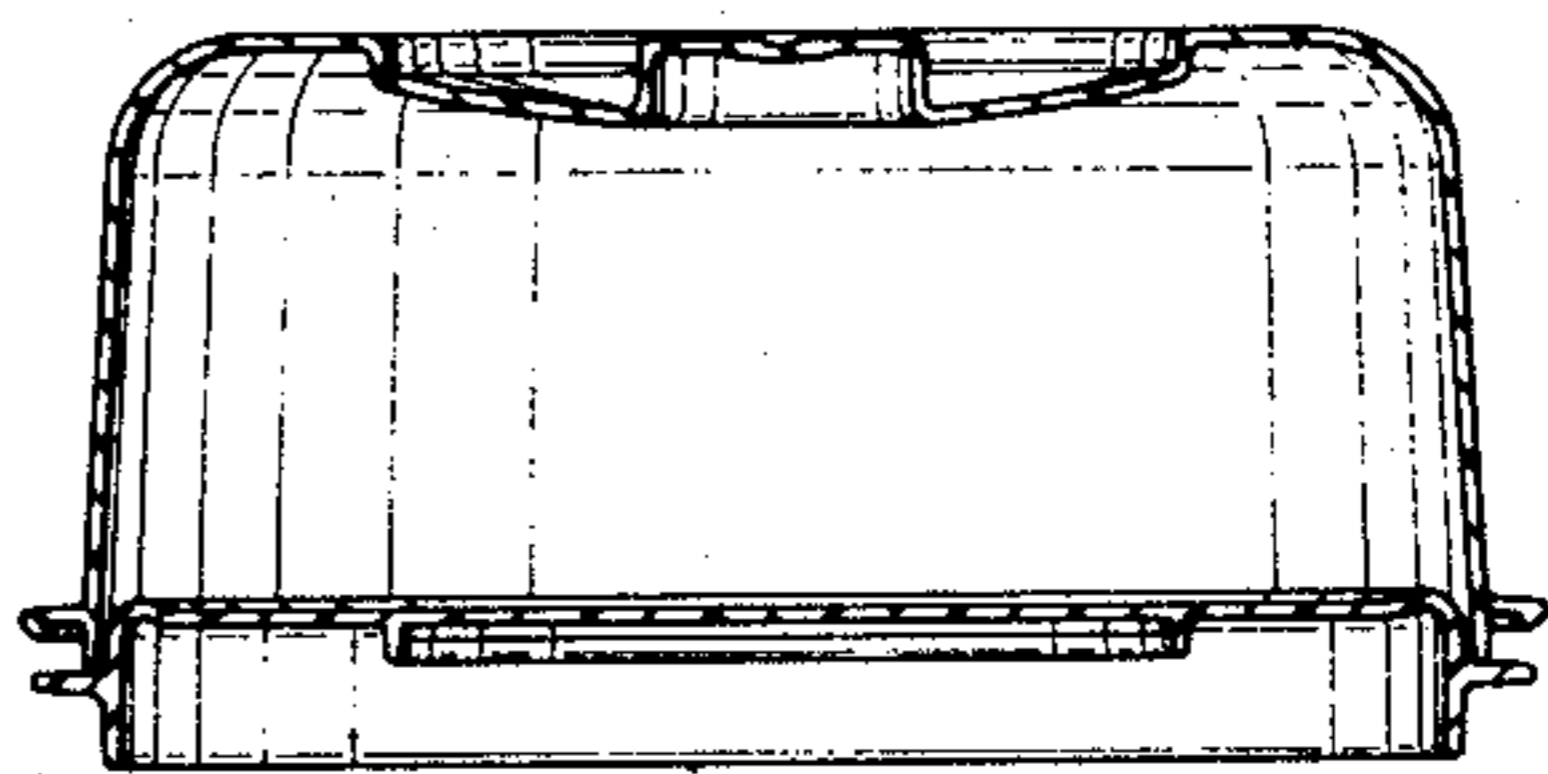
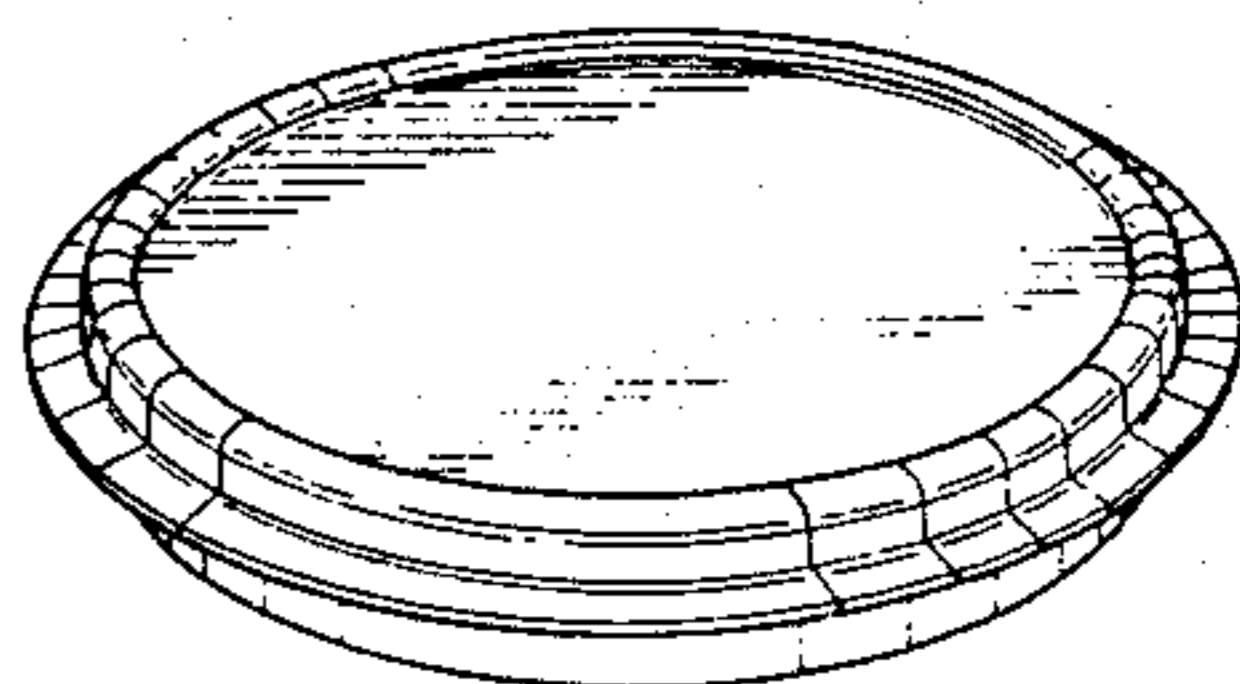
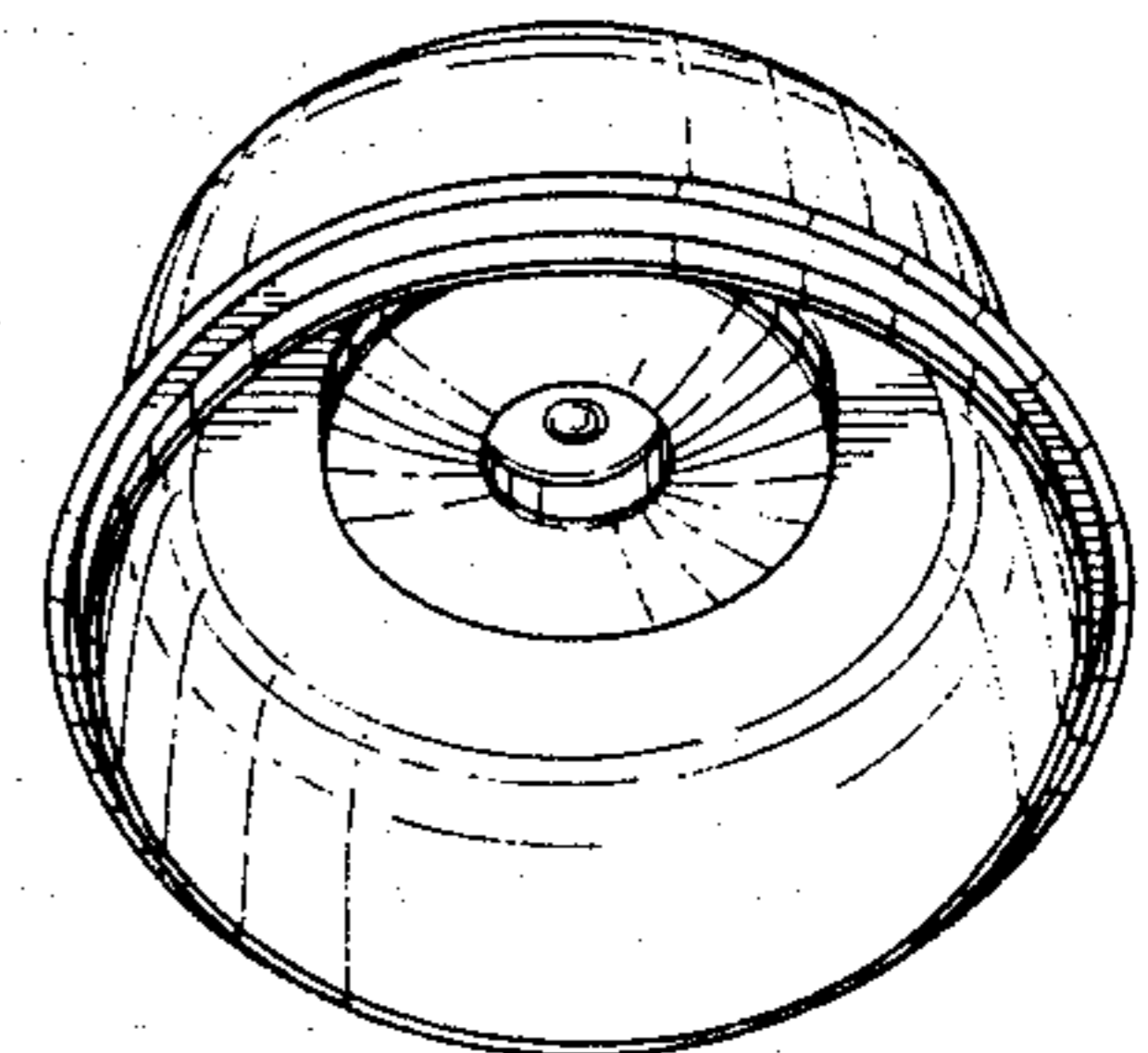
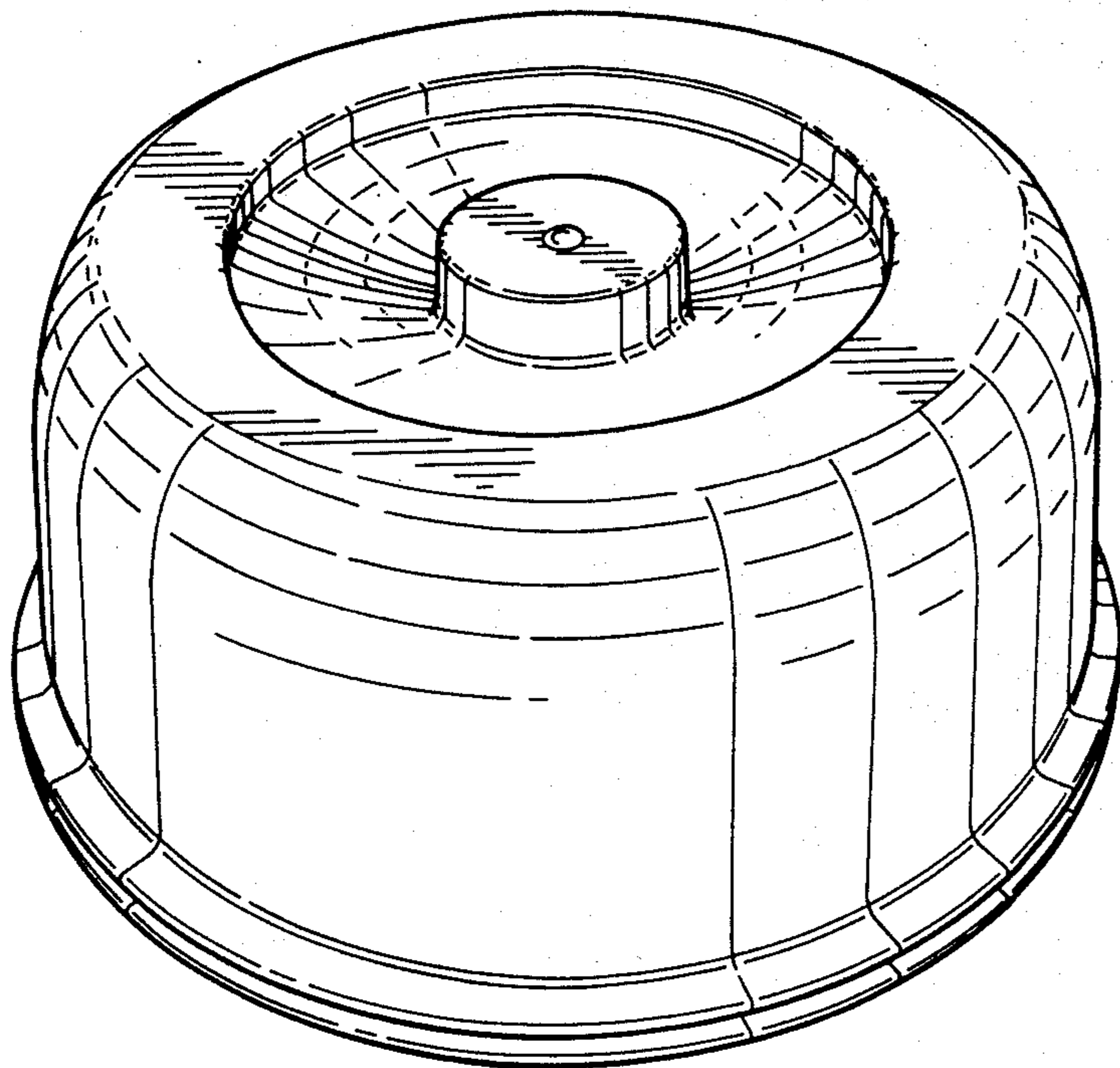
[57] CLAIM

The ornamental design for a covered serving tray or the like, as shown and described.

DESCRIPTION

FIG. 1 is a top perspective view of a covered serving tray or the like showing our new design; FIG. 2 is a side elevational view thereof, it being understood that the remaining side elevations are identical hereto; FIG. 3 is a top plan view thereof; FIG. 4 is a bottom plan view thereof; FIG. 5 is an exploded perspective view thereof; FIG. 6 is a cross-sectional view taken along line 6—6 of FIG. 2.

The characteristic feature of the design resides in the cover thereof having a central well comprising a vertical outer wall and a concave base wall with a centrally disposed cylindrical knob having a dimpled top, as best shown in FIGS. 1 and 6.



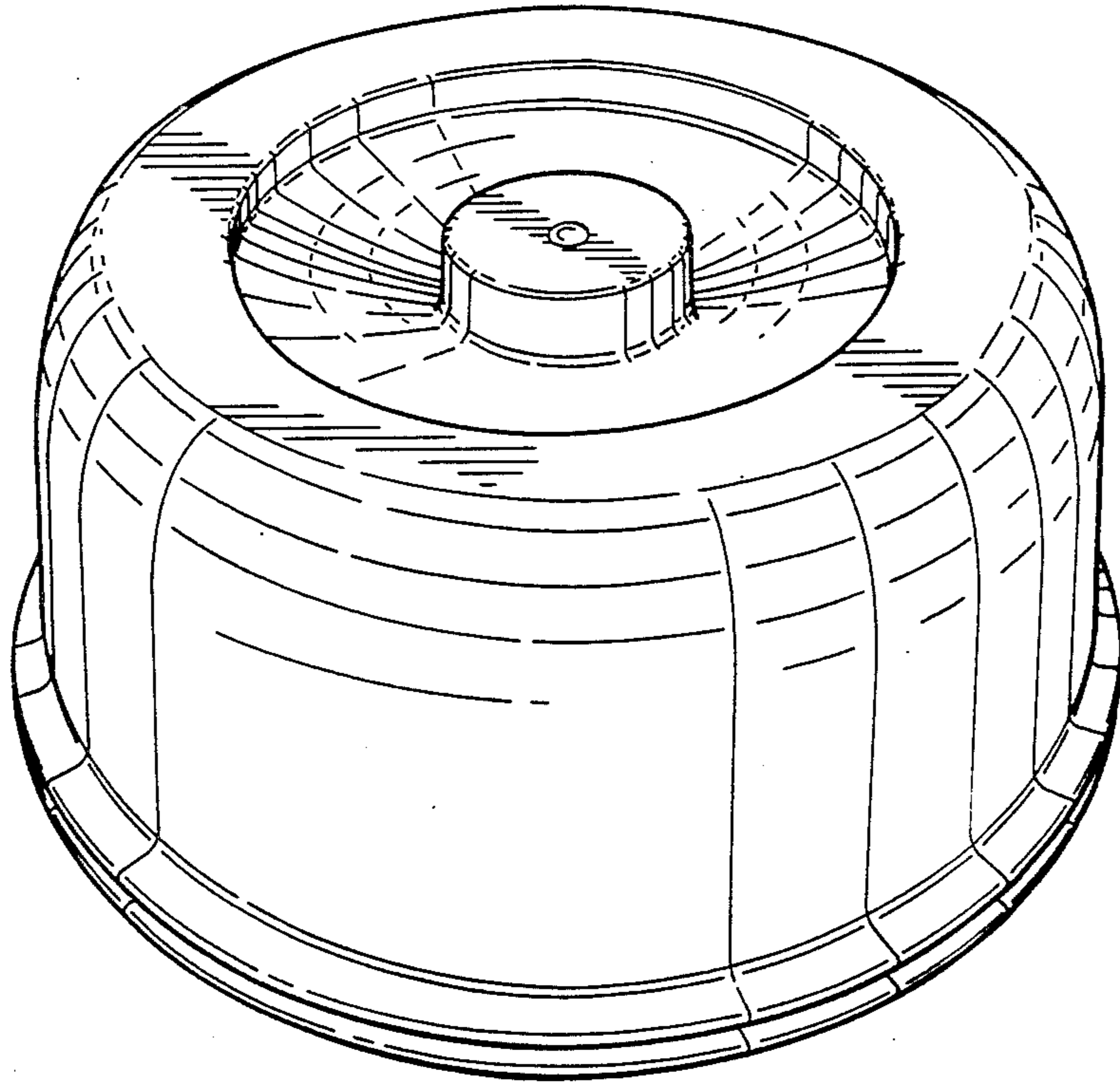


FIG. 1

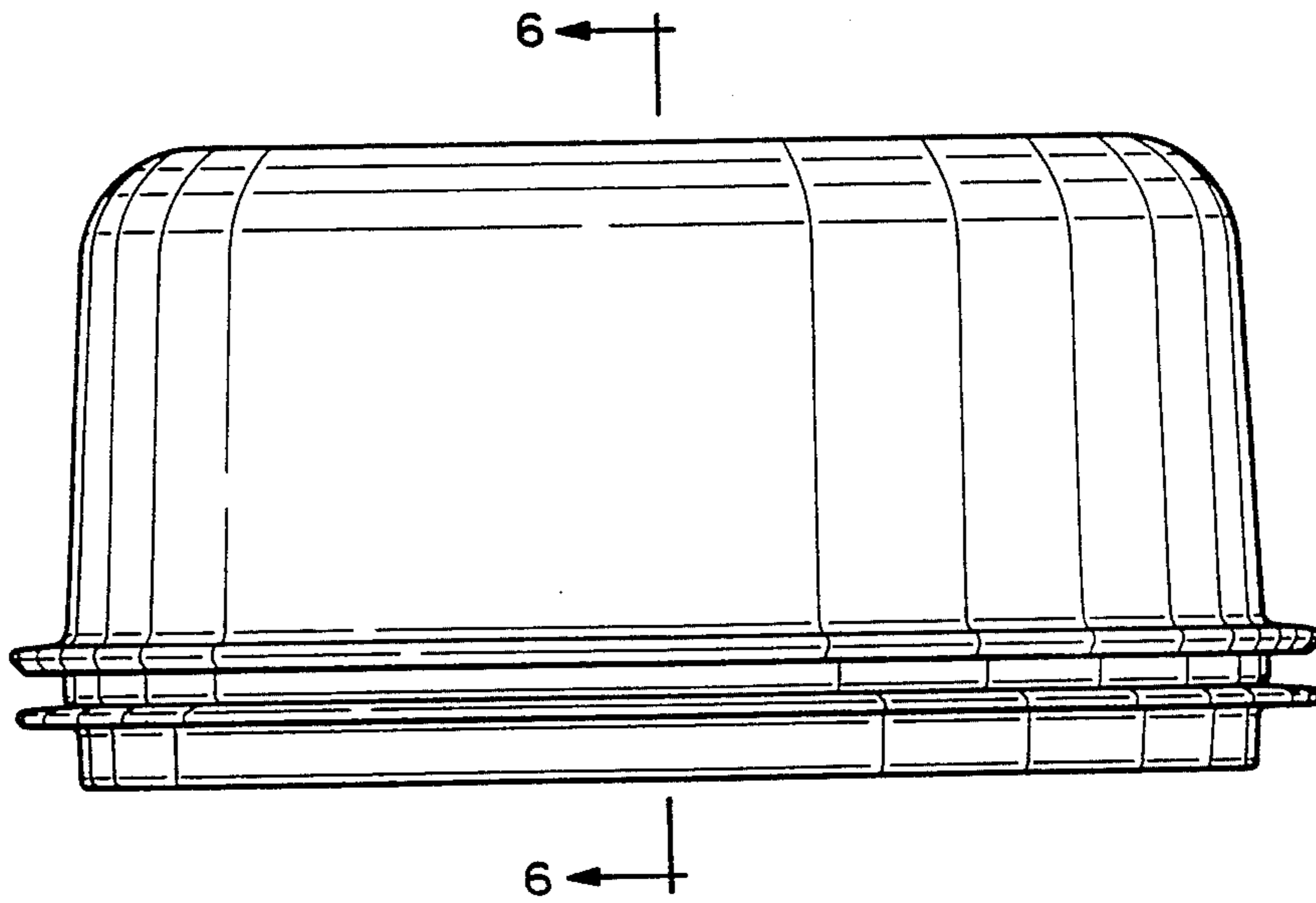


FIG. 2

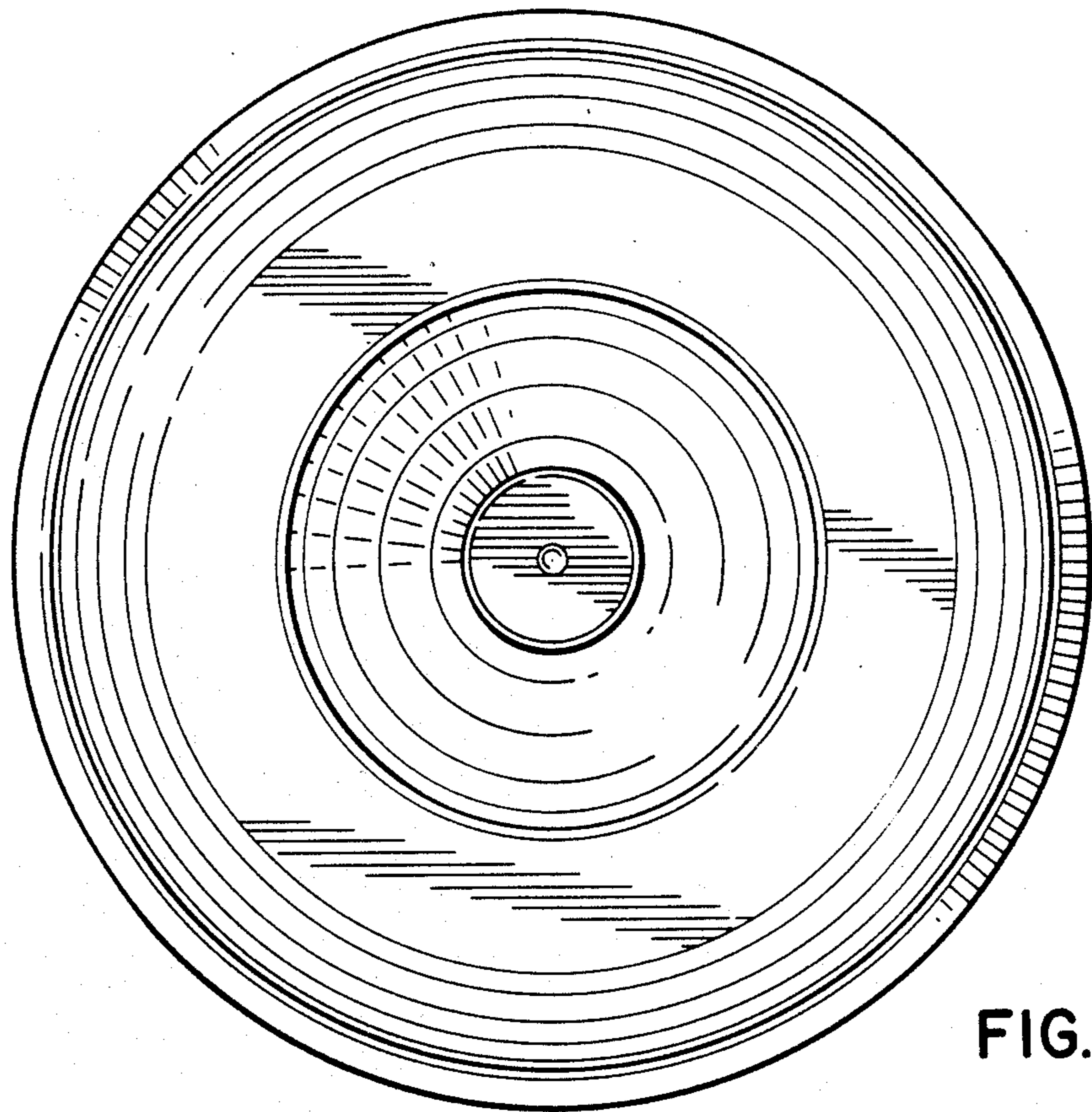


FIG. 3

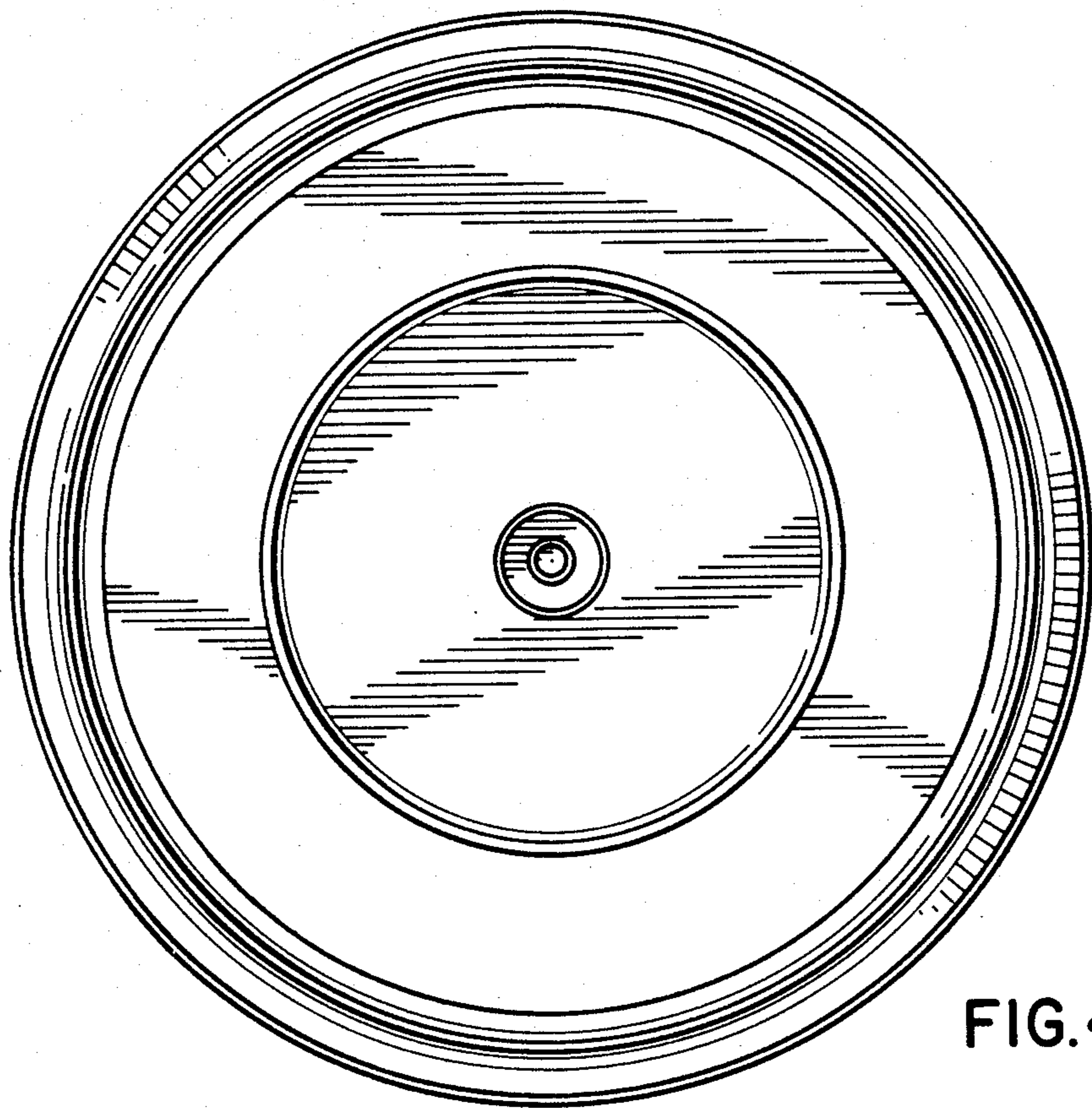


FIG. 4

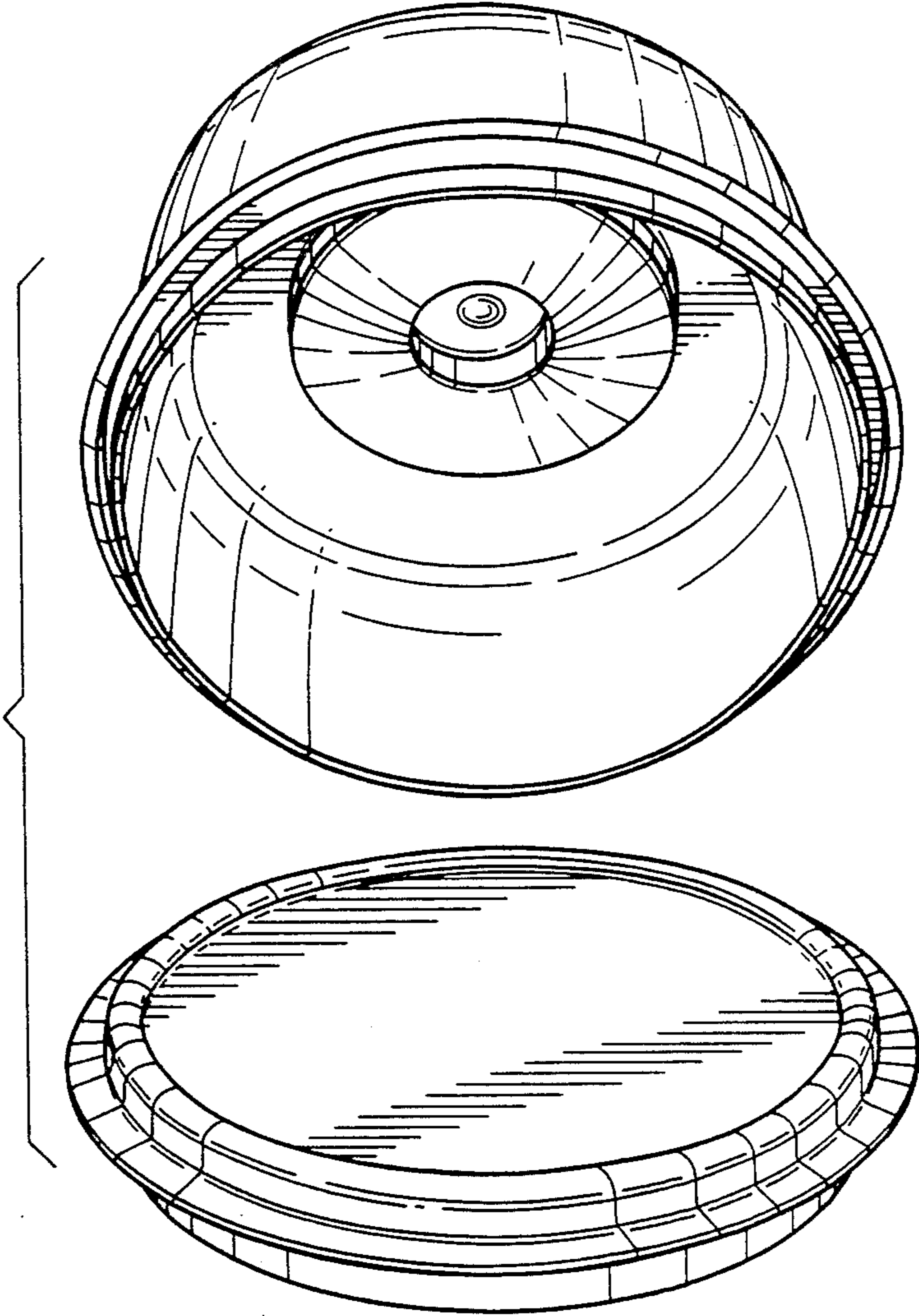


FIG. 5

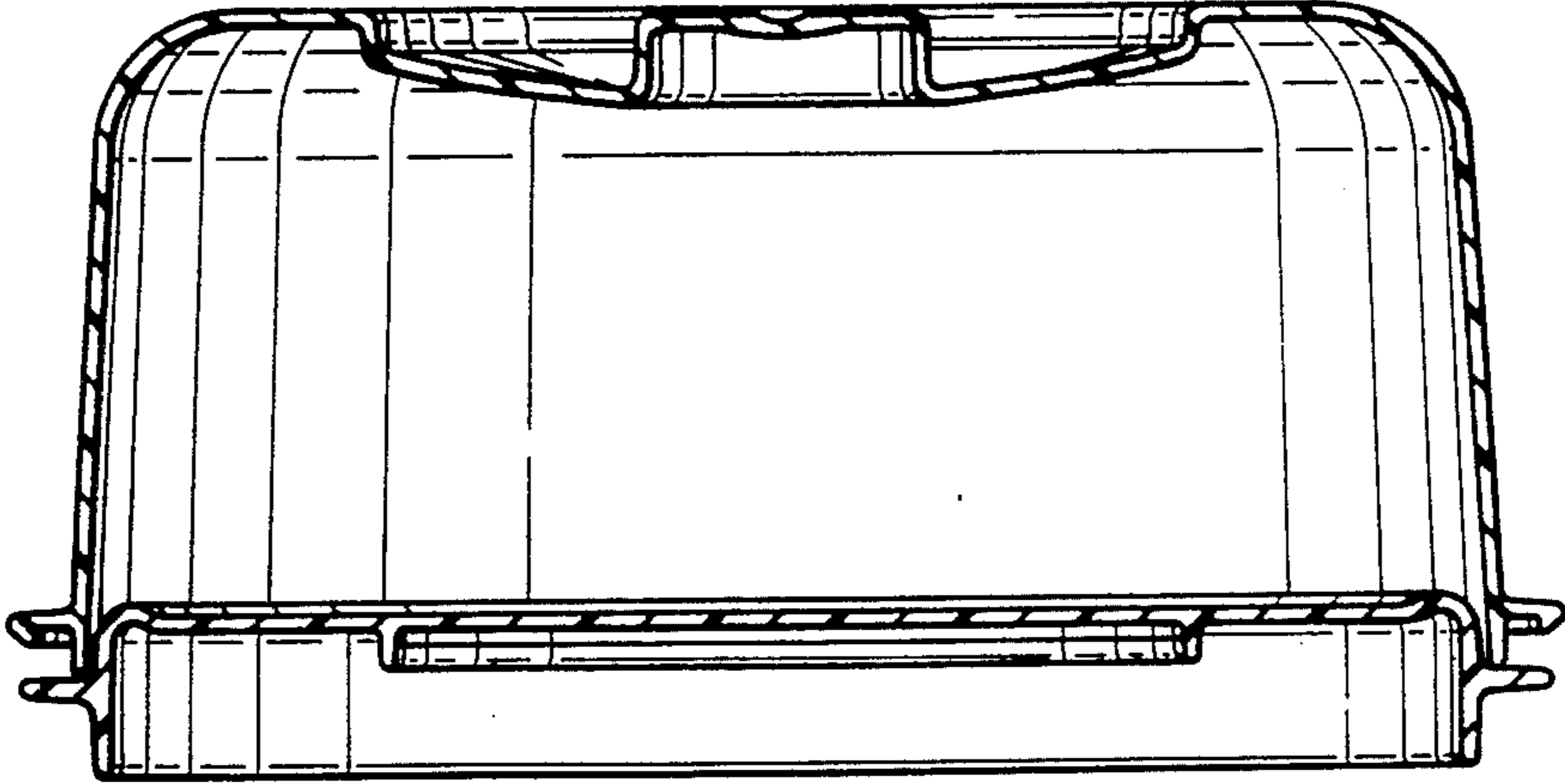


FIG. 6