

[54] CUP

[76] Inventor: Joost R. Ritman, Bloemgracht 15-19, 1016 KB Amsterdam, Netherlands

[**] Term: 14 Years

[21] Appl. No.: 632,447

[22] Filed: Jul. 18, 1984

[52] U.S. Cl. D7/9

[58] Field of Search D7/9, 10, 6, 11, 13, D7/22, 3, 70; 220/94 A

[56] References Cited

U.S. PATENT DOCUMENTS

D. 186,037 9/1959 Stageberg D7/9

FOREIGN PATENT DOCUMENTS

8198 of 1894 United Kingdom D7/9 X
401107 11/1933 United Kingdom D7/70 X

OTHER PUBLICATIONS

Bloomington's Winter Fantasy Sale, p. 55, Cup in bot-

tom right panel #N "Stoneworks Natural from Mid-winter".

Tableware International, Apr., 1980, p. 23, top panel, Mugs Buxton Shape from Staffordshire Potteries.

Primary Examiner—Winifred E. Herrmann
Attorney, Agent, or Firm—Allegretti, Newitt, Witcoff & McAndrews, Ltd.

[57] CLAIM

The ornamental design for a cup, substantially as shown.

DESCRIPTION

FIG. 1 is a top perspective view of a cup showing my new design;
FIG. 2 is a right side elevational view thereof;
FIG. 3 is a rear elevational view thereof;
FIG. 4 is a left side elevational view thereof;
FIG. 5 is a front elevational view thereof;
FIG. 6 is a top plan view thereof;
FIG. 7 is a cross-sectional view thereof taken along the line 7—7 of FIG. 6; and
FIG. 8 is a bottom plan view thereof.

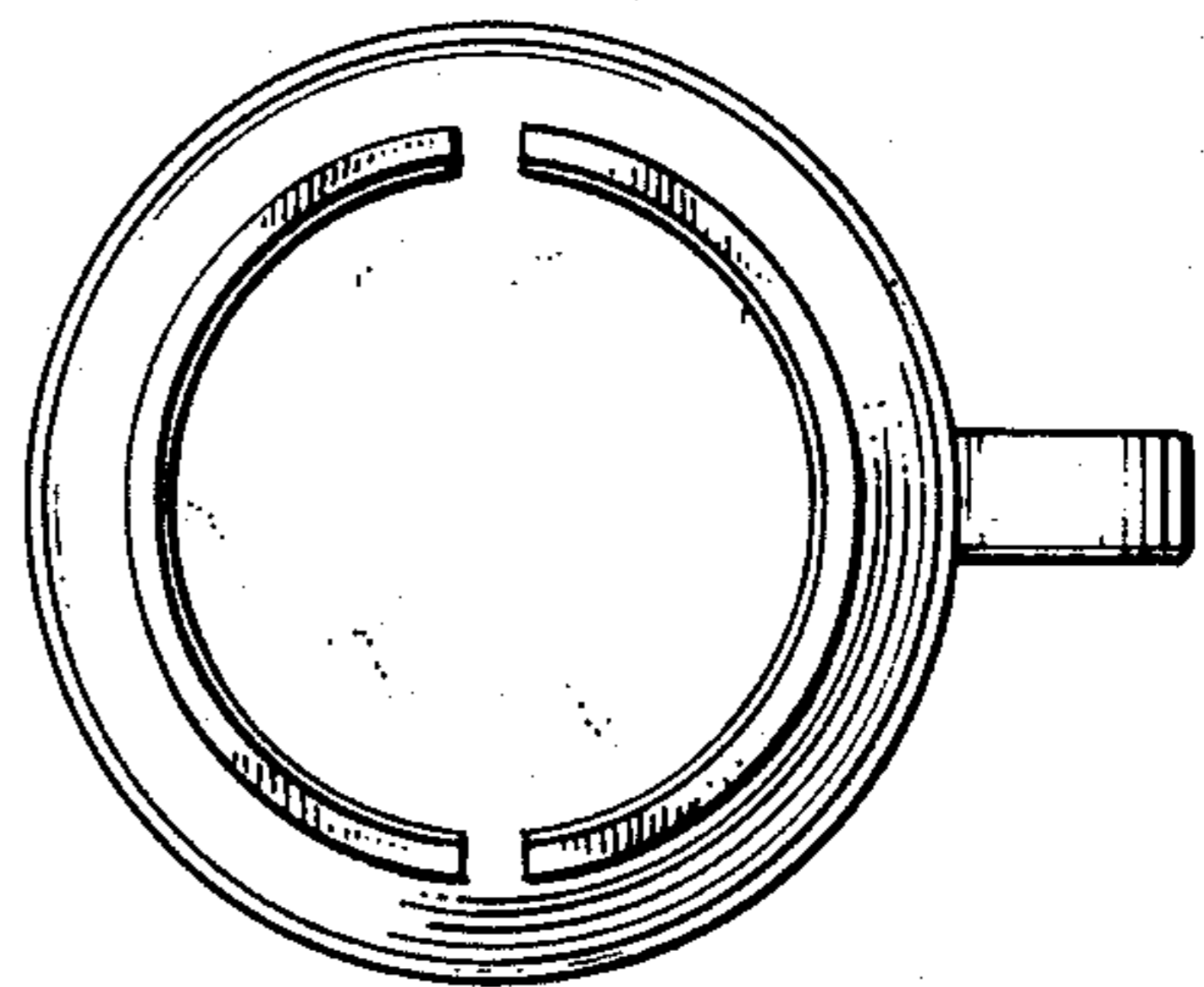
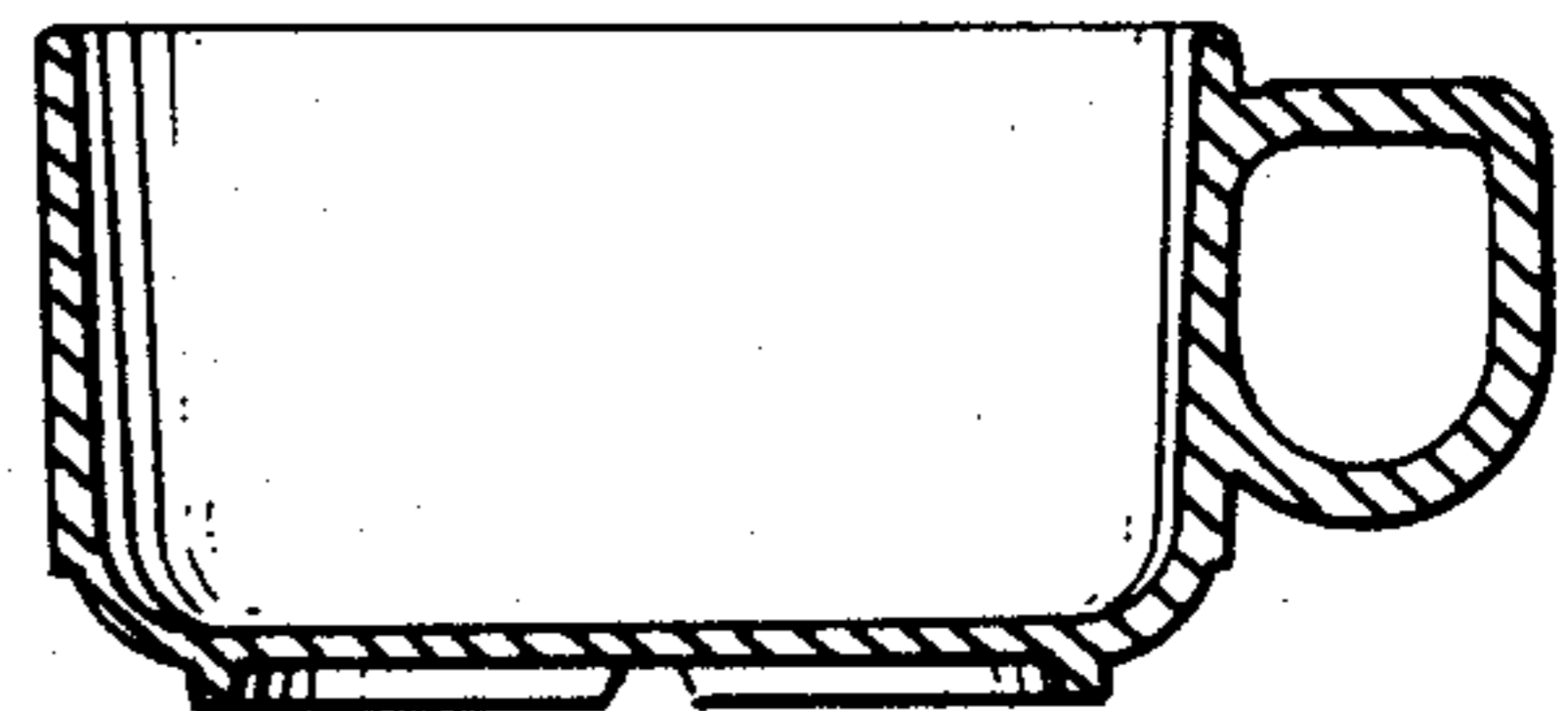
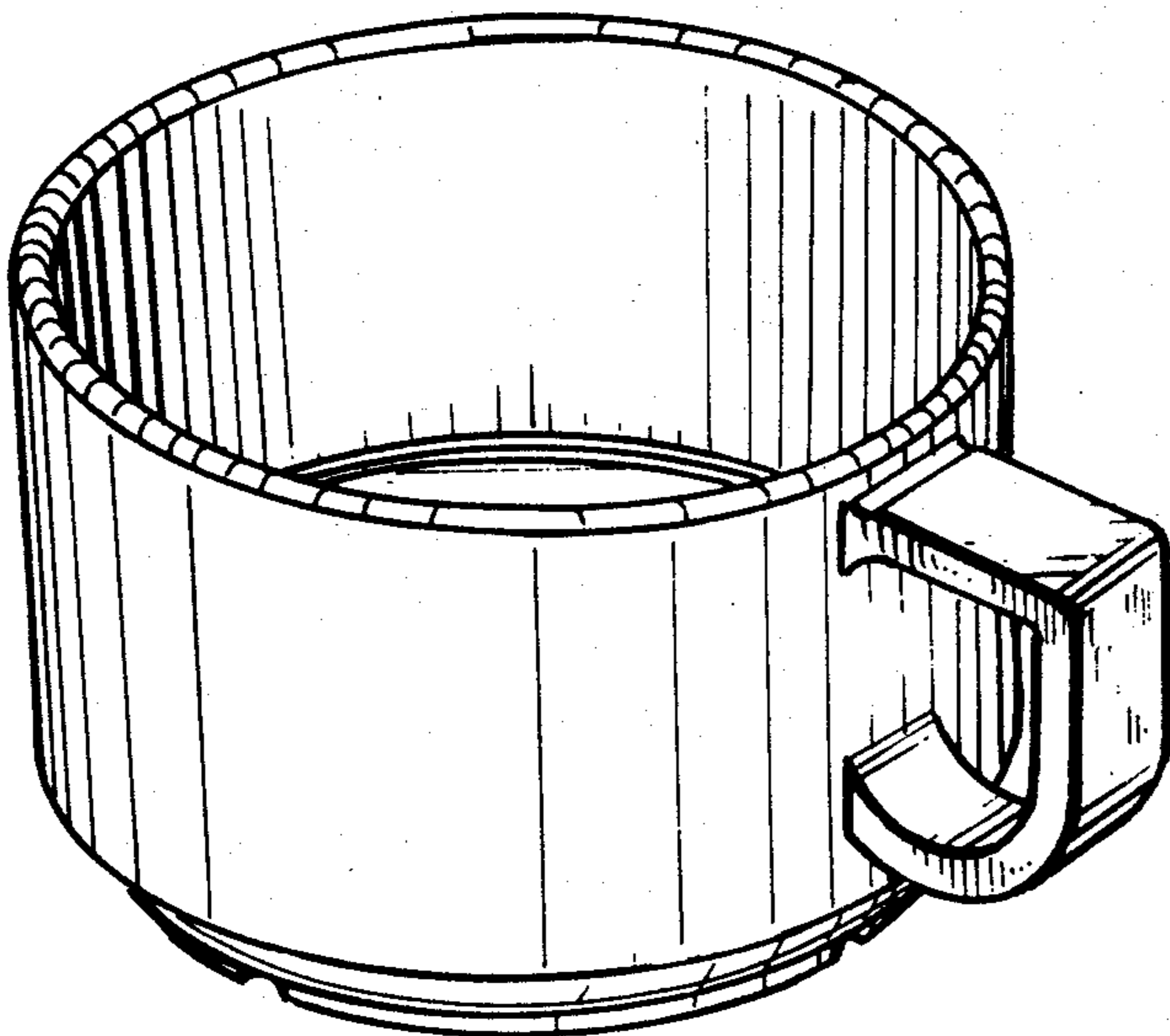


FIG. 1

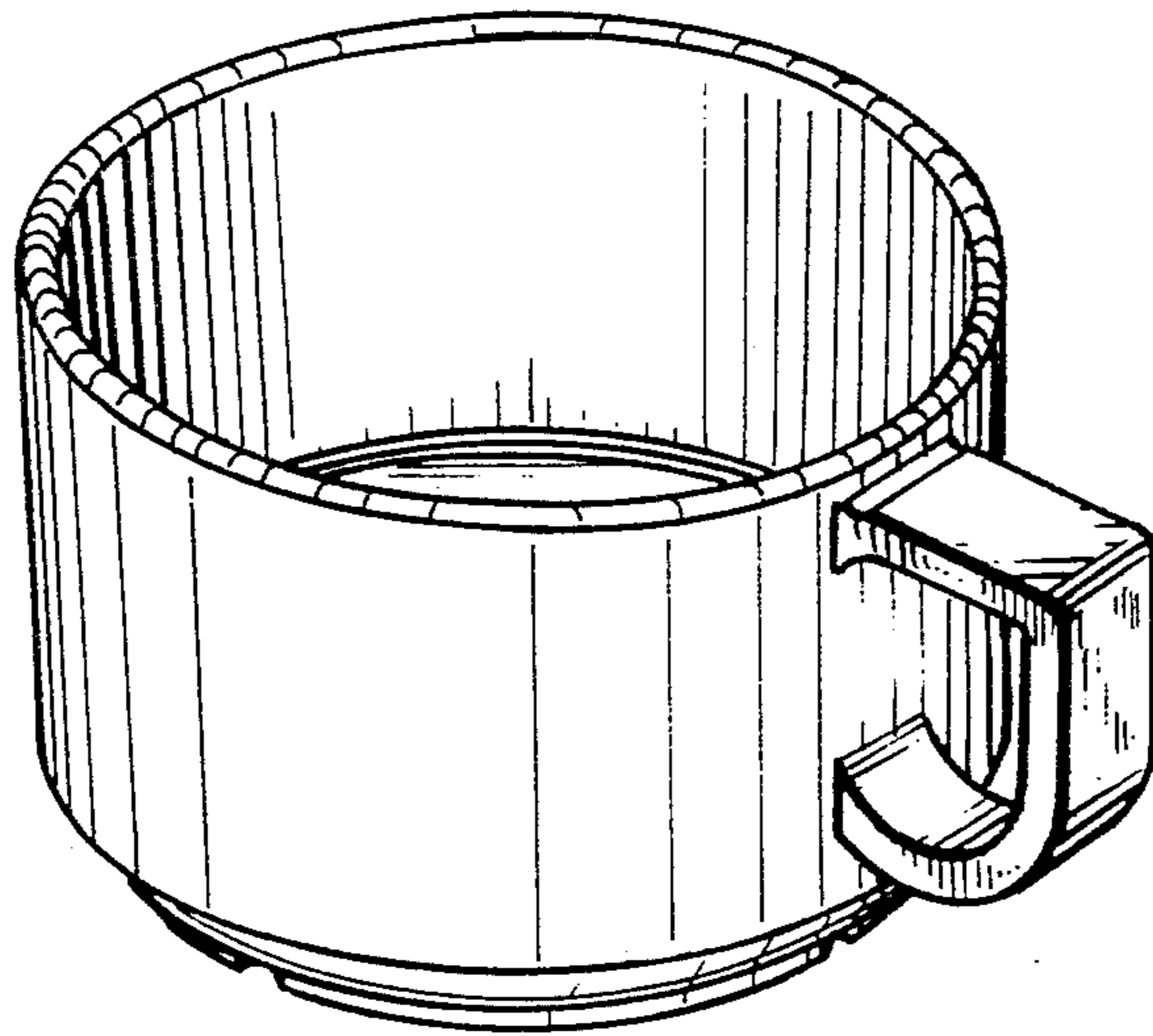


FIG. 2

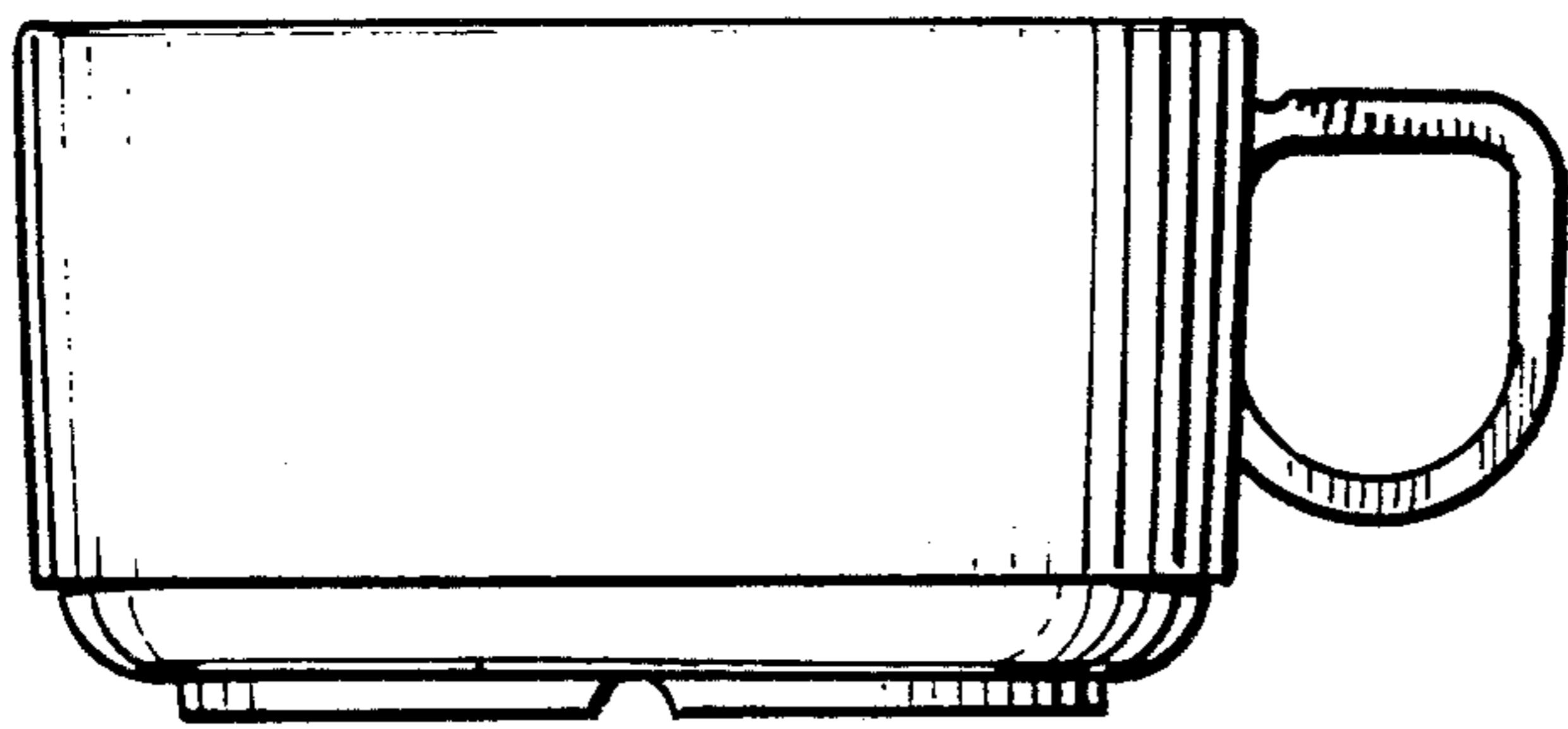


FIG. 3

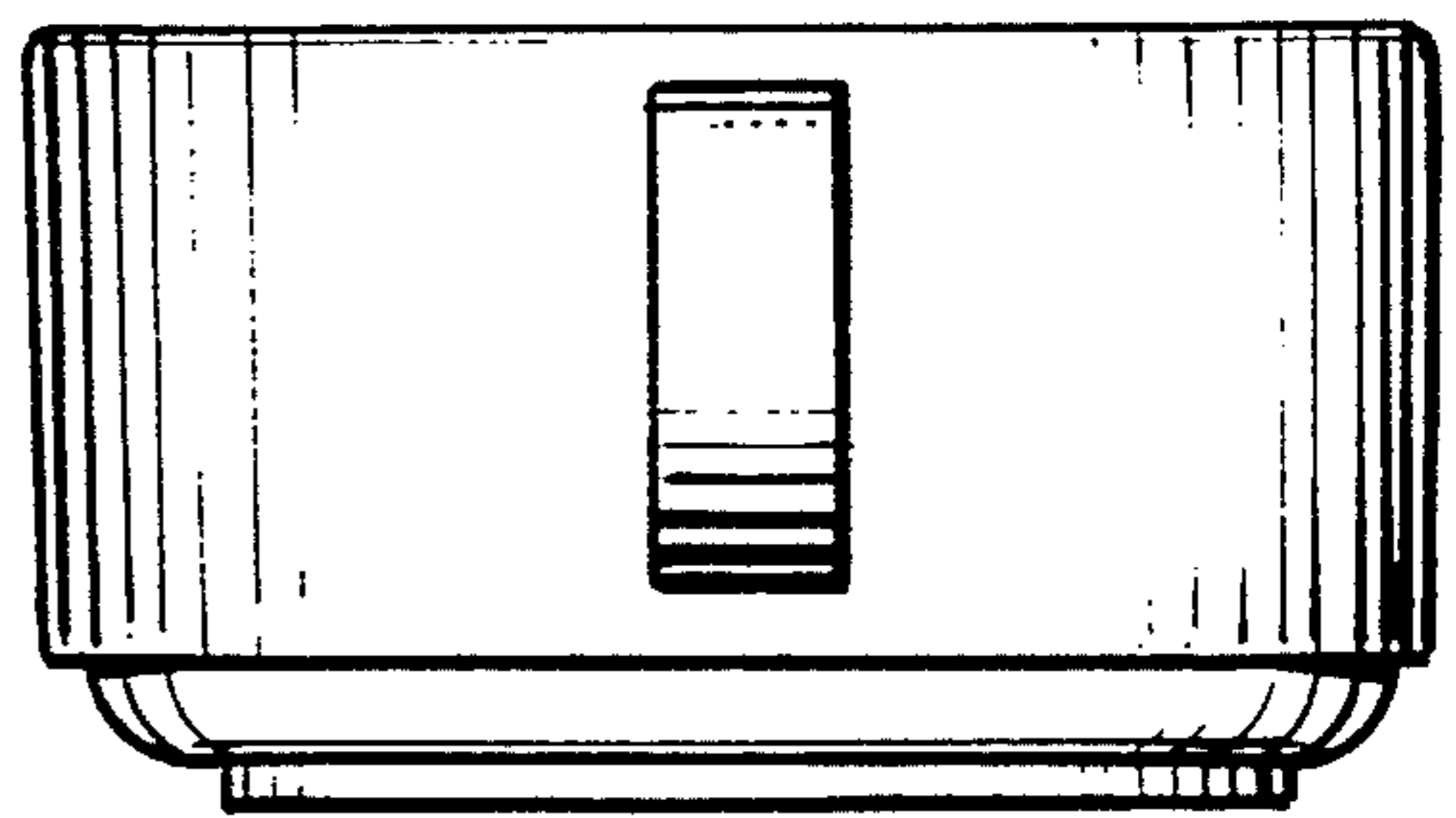


FIG. 4

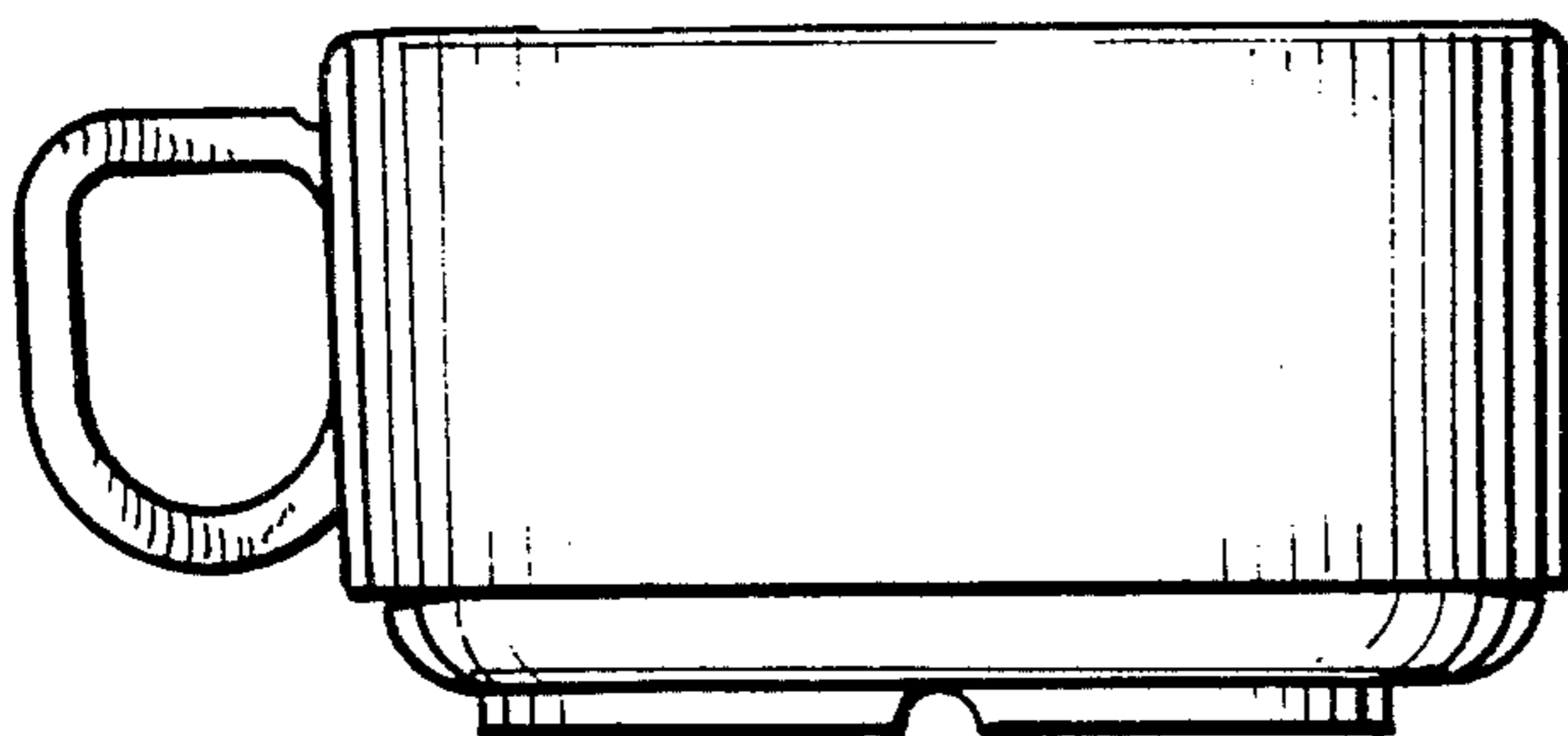


FIG. 5

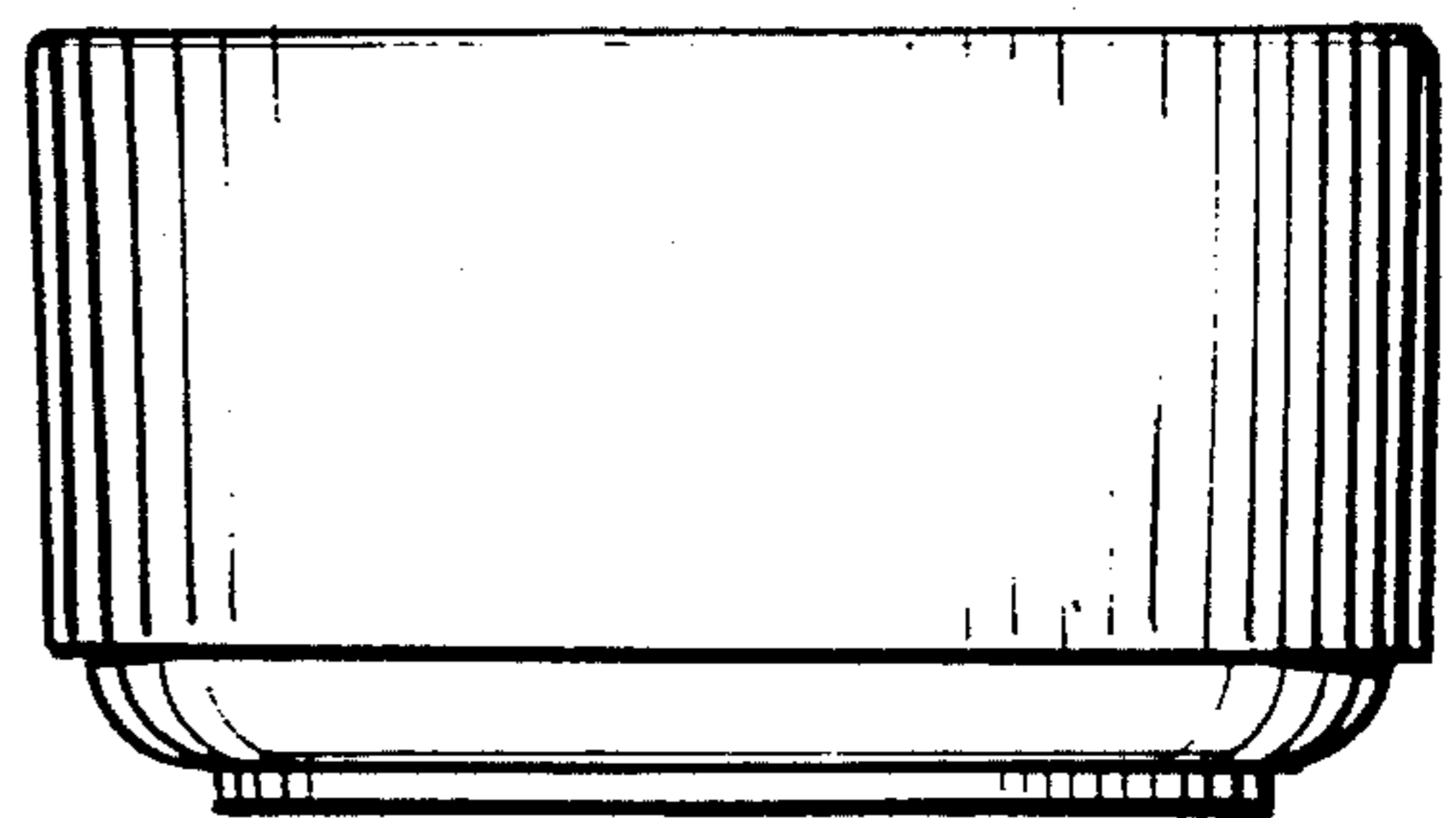


FIG. 6

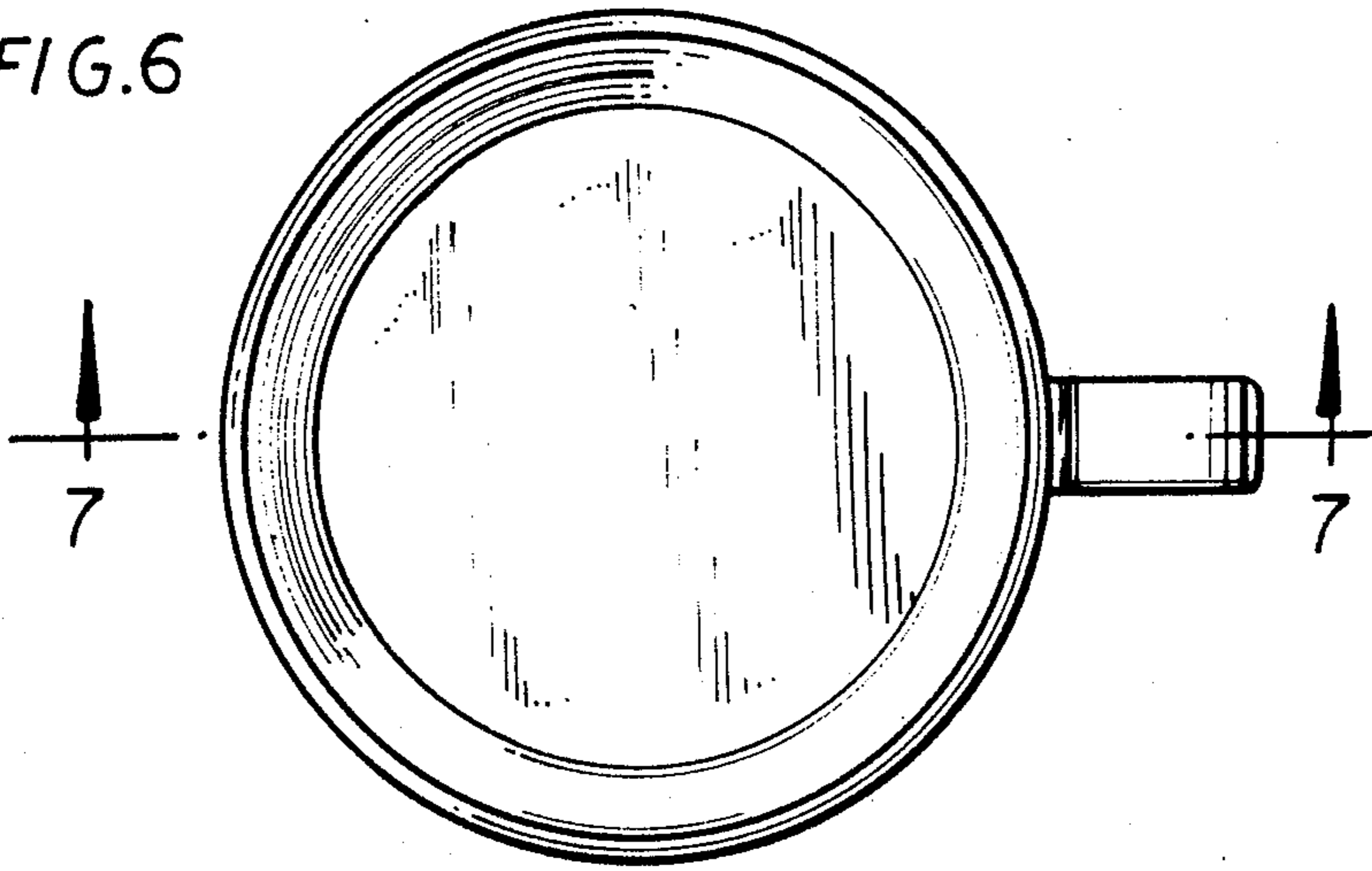


FIG. 7

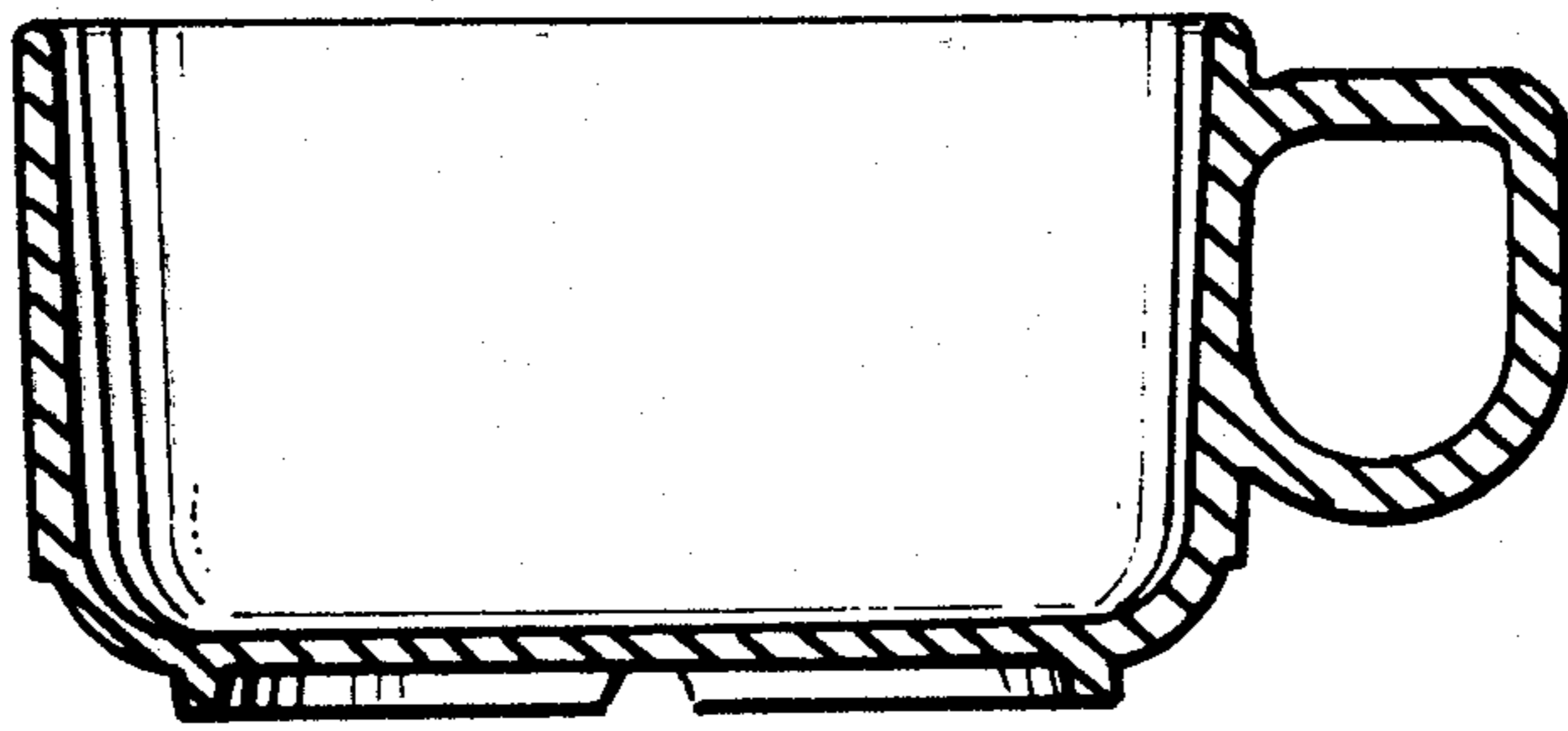


FIG. 8

