

[54] COMBINED PICNIC TABLE AND CANOPY THEREFOR

[76] Inventors: Neil C. Swenson; Duain Swenson, both of 107 Regency Rd., Le Sueur, Minn. 56058

[**] Term: 14 Years

[21] Appl. No.: 641,301

[22] Filed: Aug. 16, 1984

[52] U.S. Cl. D6/337

[58] Field of Search D6/337, 335, 370, 451; 297/157

[56] References Cited

U.S. PATENT DOCUMENTS

- D. 8,801 11/1875 Fiske D6/370 X
- D. 188,948 10/1960 Axe D6/337 X

- D. 194,311 1/1963 Bochory D6/451
- D. 241,692 10/1976 Gerber D6/337
- D. 246,683 12/1977 Cagle D6/370 X
- D. 266,376 10/1982 Musgrove D6/337
- 2,722,971 11/1955 Gallagher et al. D6/337 X

Primary Examiner—Bruce W. Dunkins
Attorney, Agent, or Firm—Don E. Ferrell

[57] CLAIM

The ornamental design for a combined picnic table and canopy therefor, as shown and described.

DESCRIPTION

FIG. 1 is a perspective view of a combined picnic table and canopy therefor showing our new design; FIG. 2 is an elevational view showing one of the two identical ends on a reduced scale; and FIG. 3 is an elevational view showing one of the two identical sides on a reduced scale.

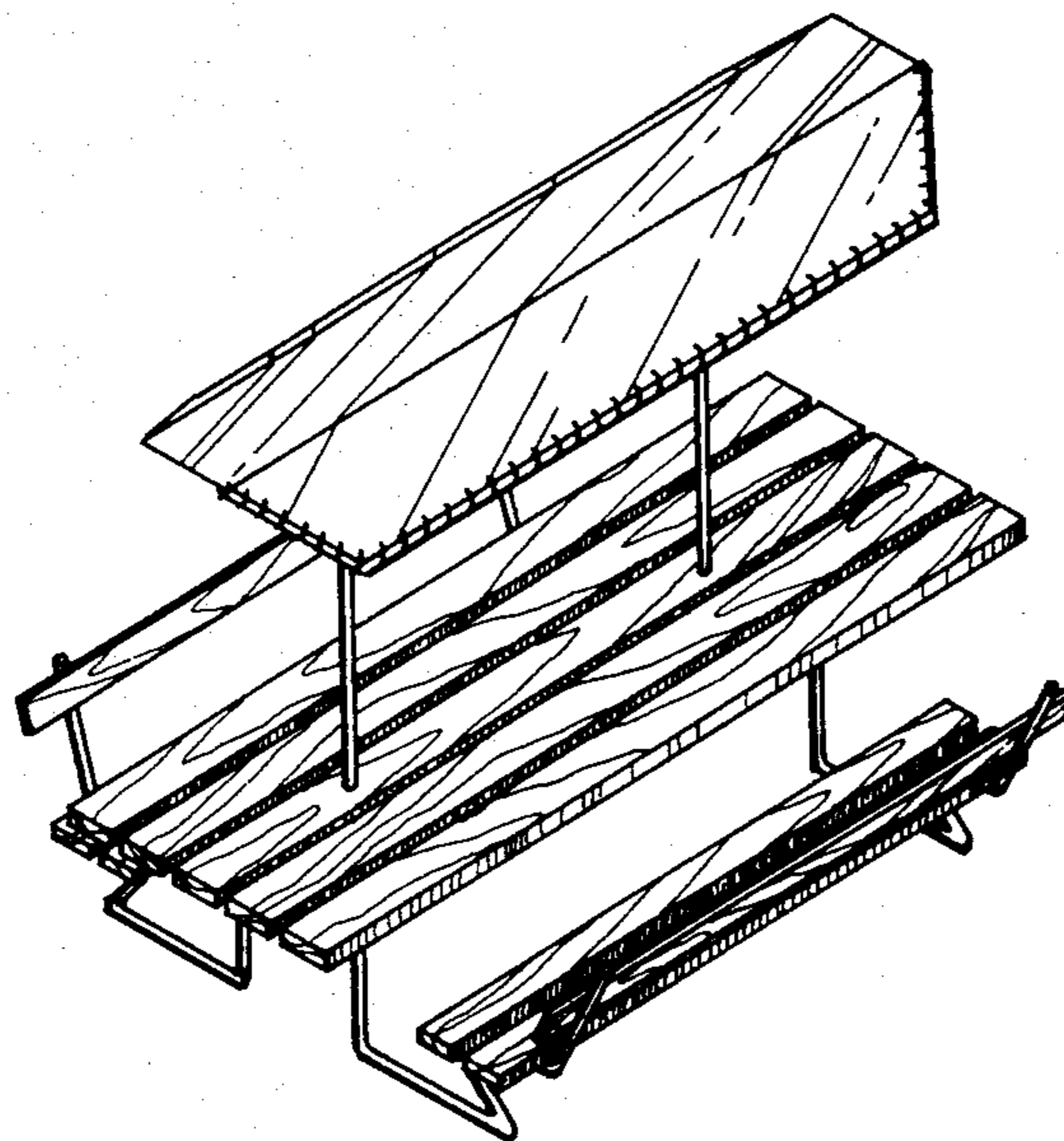


FIG. 1

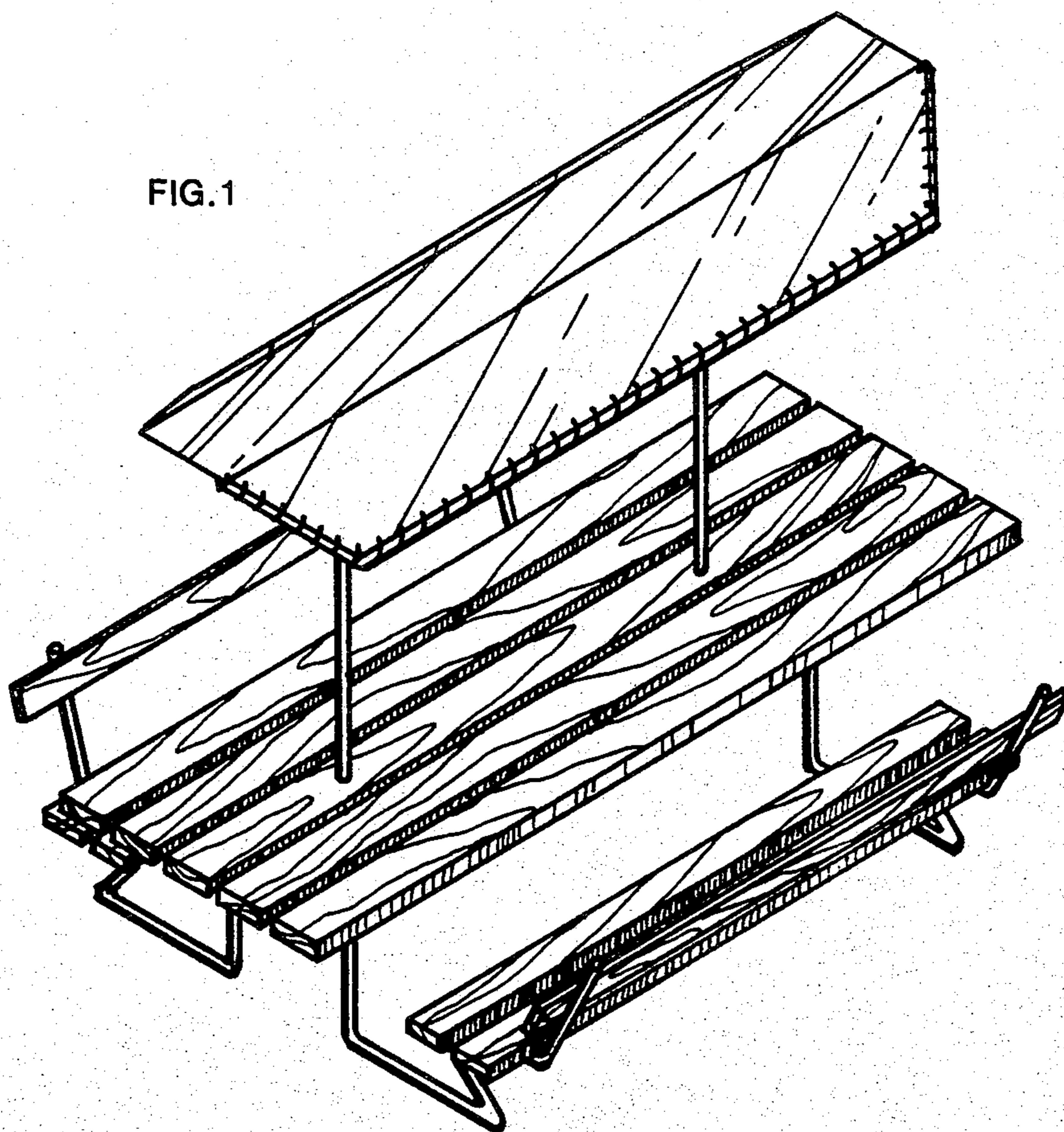


FIG. 2

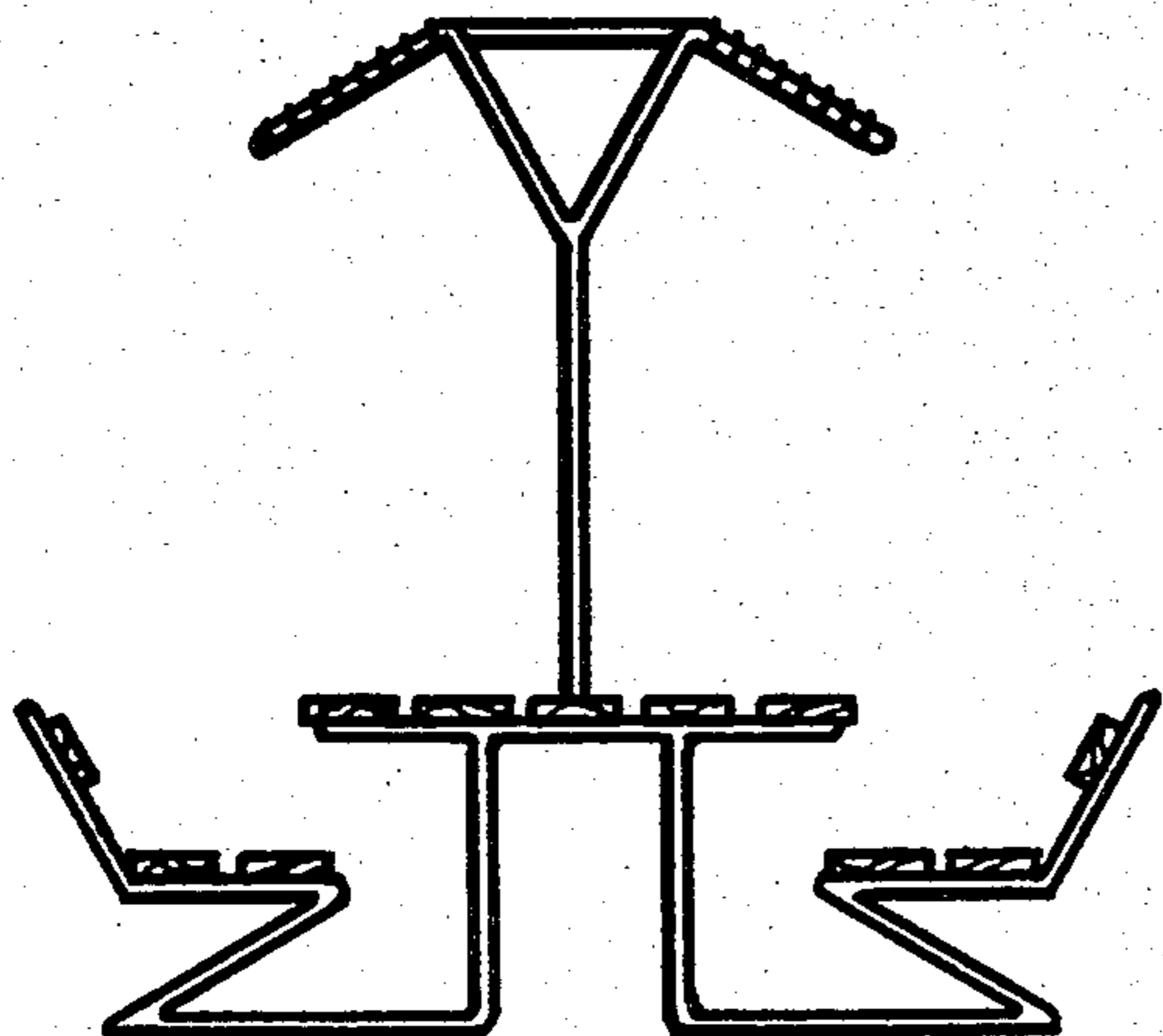


FIG. 3

