

[54] COLOR CHOICE COMPACT

[76] Inventor: Jurgen H. Schemmer, 2255 Sheppard Avenue East, Suite A134, Willowdale, Ontario, Canada, M2J 4Y1

[\*\*] Term: 14 Years

[21] Appl. No.: 735,219

[22] Filed: May 14, 1985

[52] U.S. Cl. .... D28/78; D28/83

[58] Field of Search ..... D28/76-78, D28/91, 82-86; D3/39; D9/414, 420-423, 436, 432

[56] References Cited

U.S. PATENT DOCUMENTS

D. 241,176 8/1976 Kingsford ..... D28/78

D. 262,151 12/1981 Sussman ..... D28/83  
D. 278,276 4/1985 Bakic ..... D28/83 X  
1,762,767 6/1930 Dwan ..... 220/DIG. 26

Primary Examiner—Louis S. Zarfes  
Attorney, Agent, or Firm—Ridout & Maybee

[57] CLAIM

The ornamental design for a color choice compact, substantially as shown.

DESCRIPTION

FIG. 1 is a top front perspective view of a color choice compact showing my new design;  
FIG. 2 is a bottom rear perspective view thereof;  
FIG. 3 is a side elevation thereof;  
FIG. 4 is a front perspective view of the compact in open position.  
FIG. 5 is a rear perspective view thereof;  
FIG. 6 is an overhead plan view thereof; and  
FIG. 7 is a side elevation thereof.

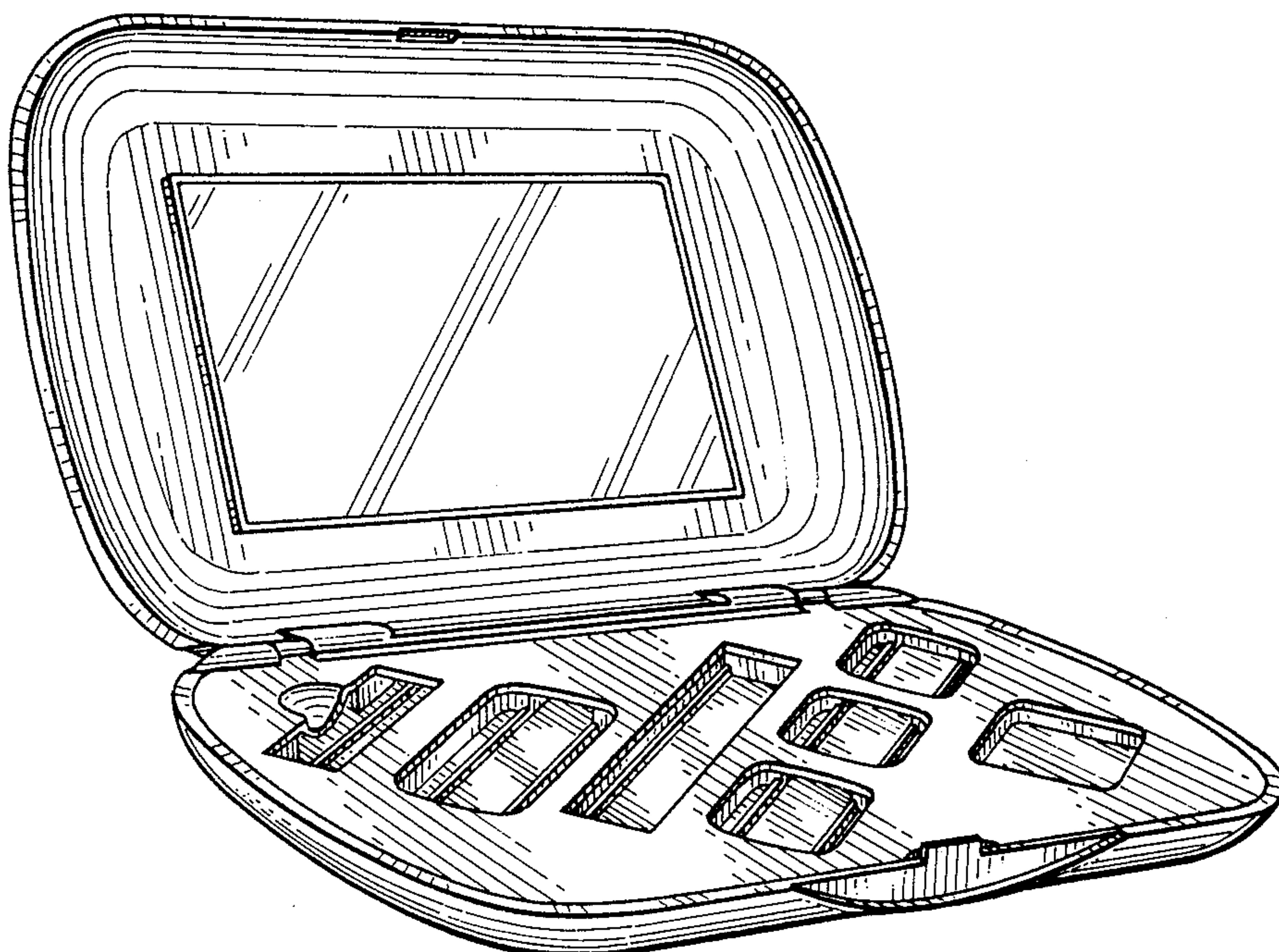
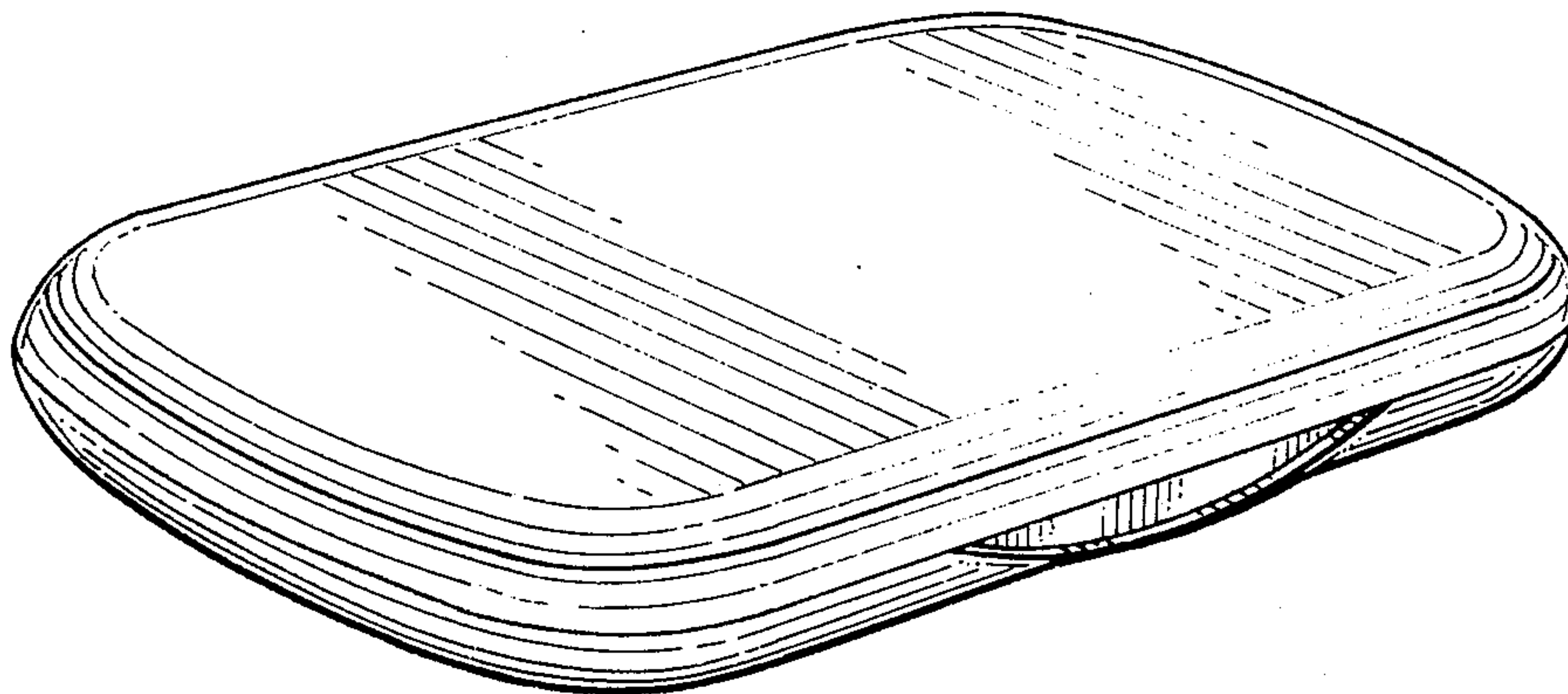


FIG. 1

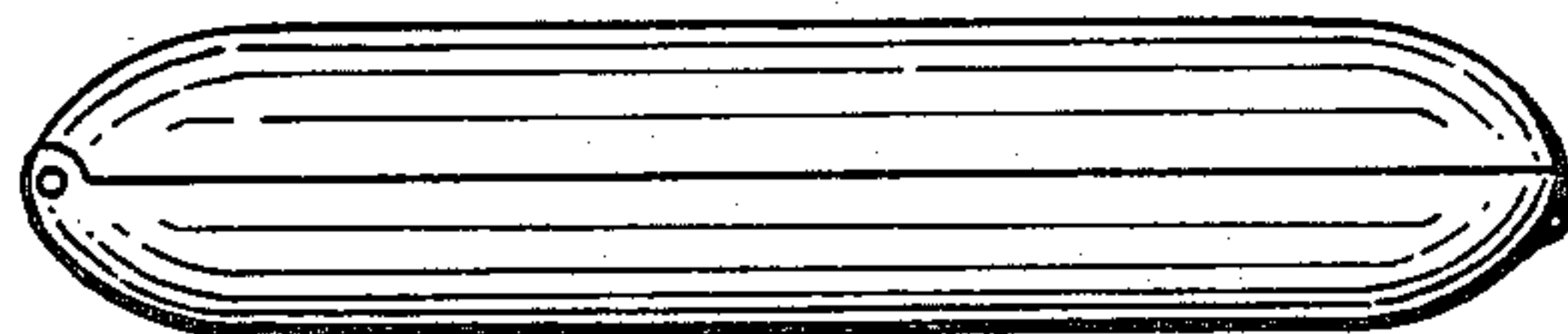
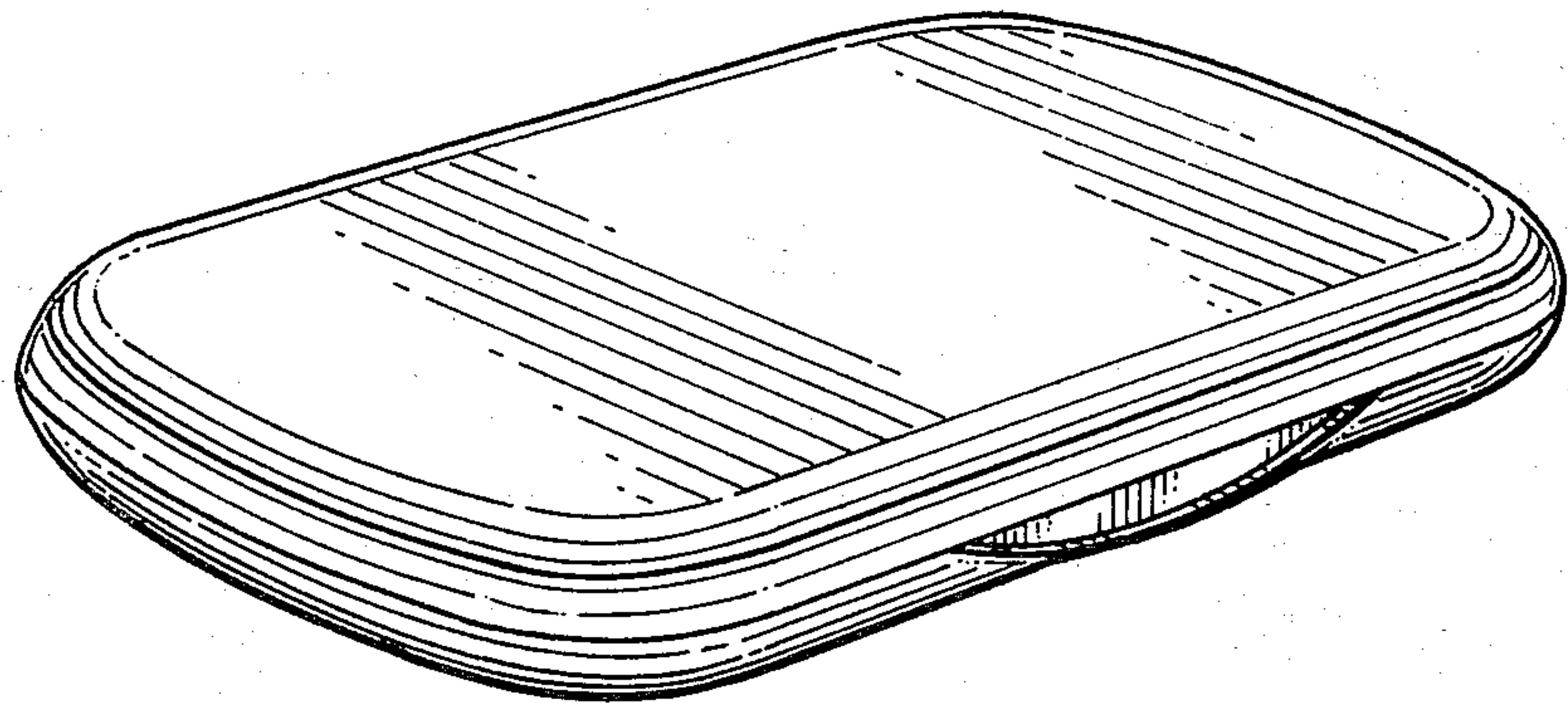


FIG. 3

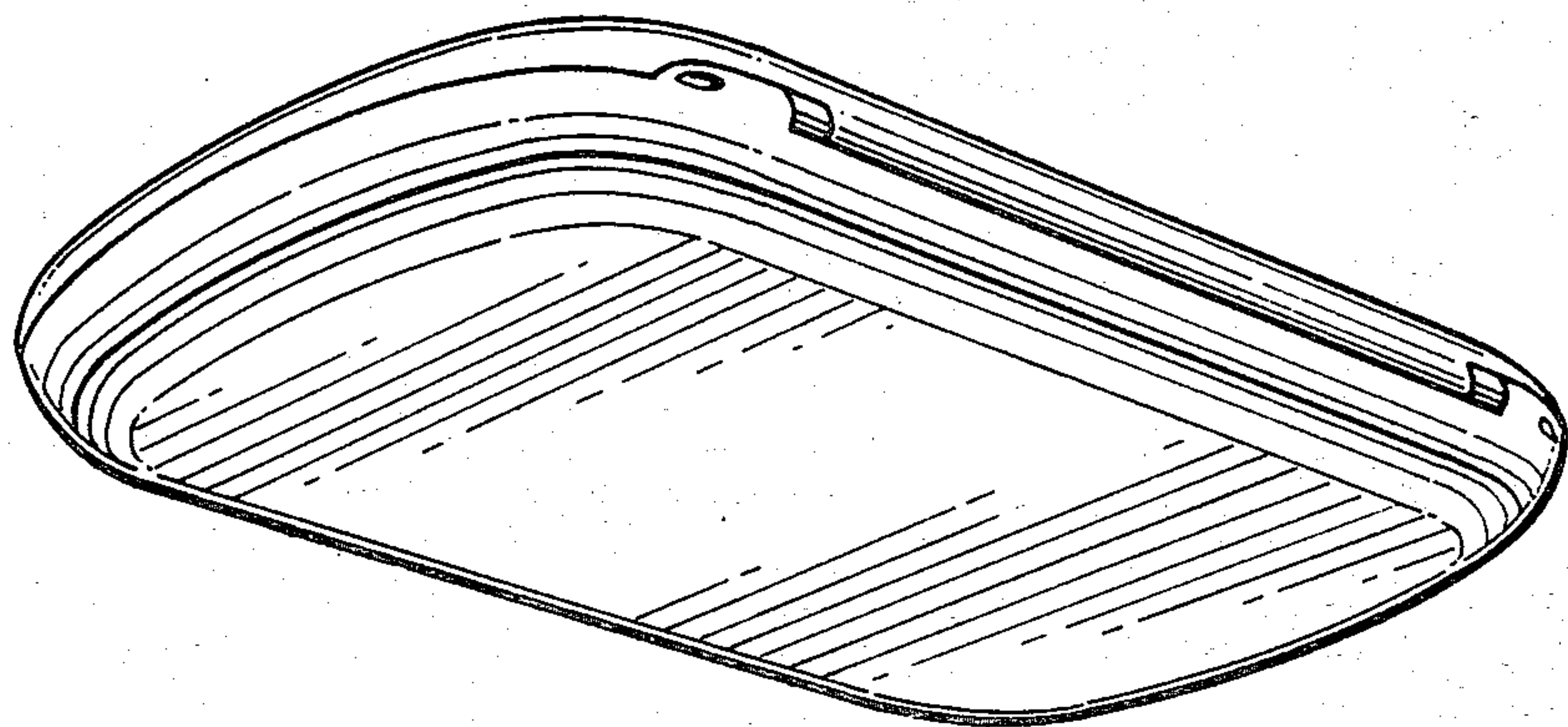


FIG. 2



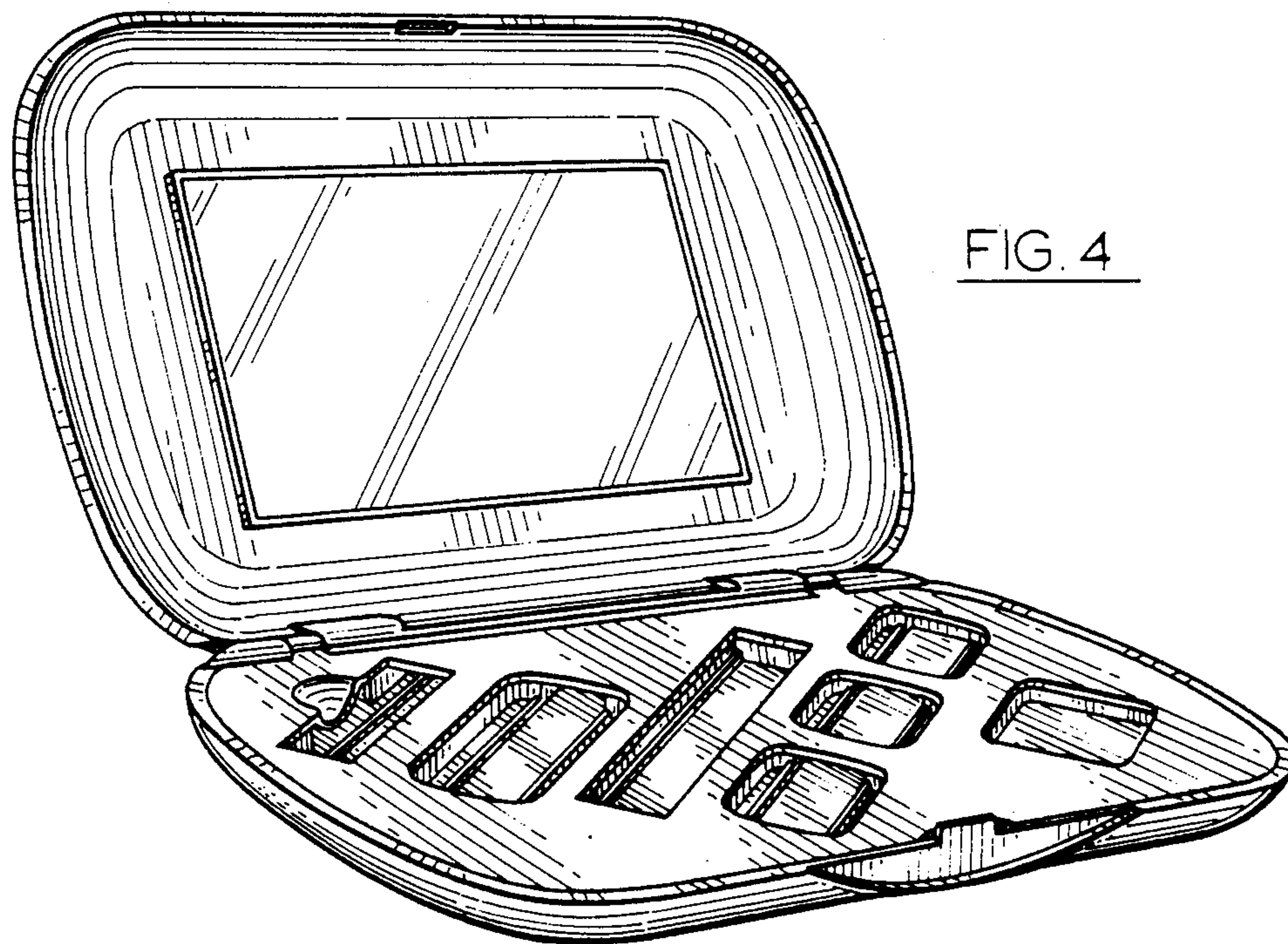


FIG. 4

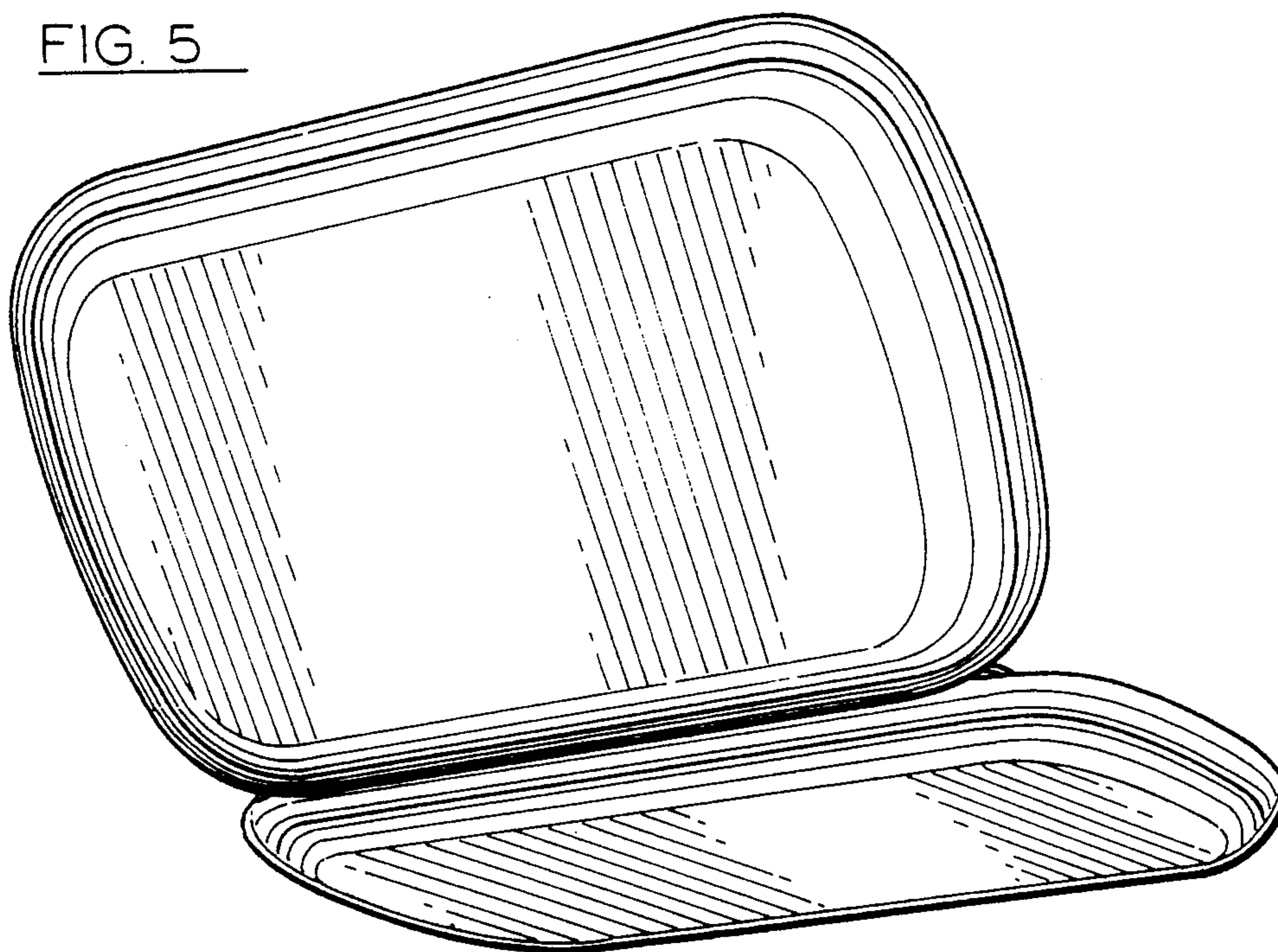


FIG. 5

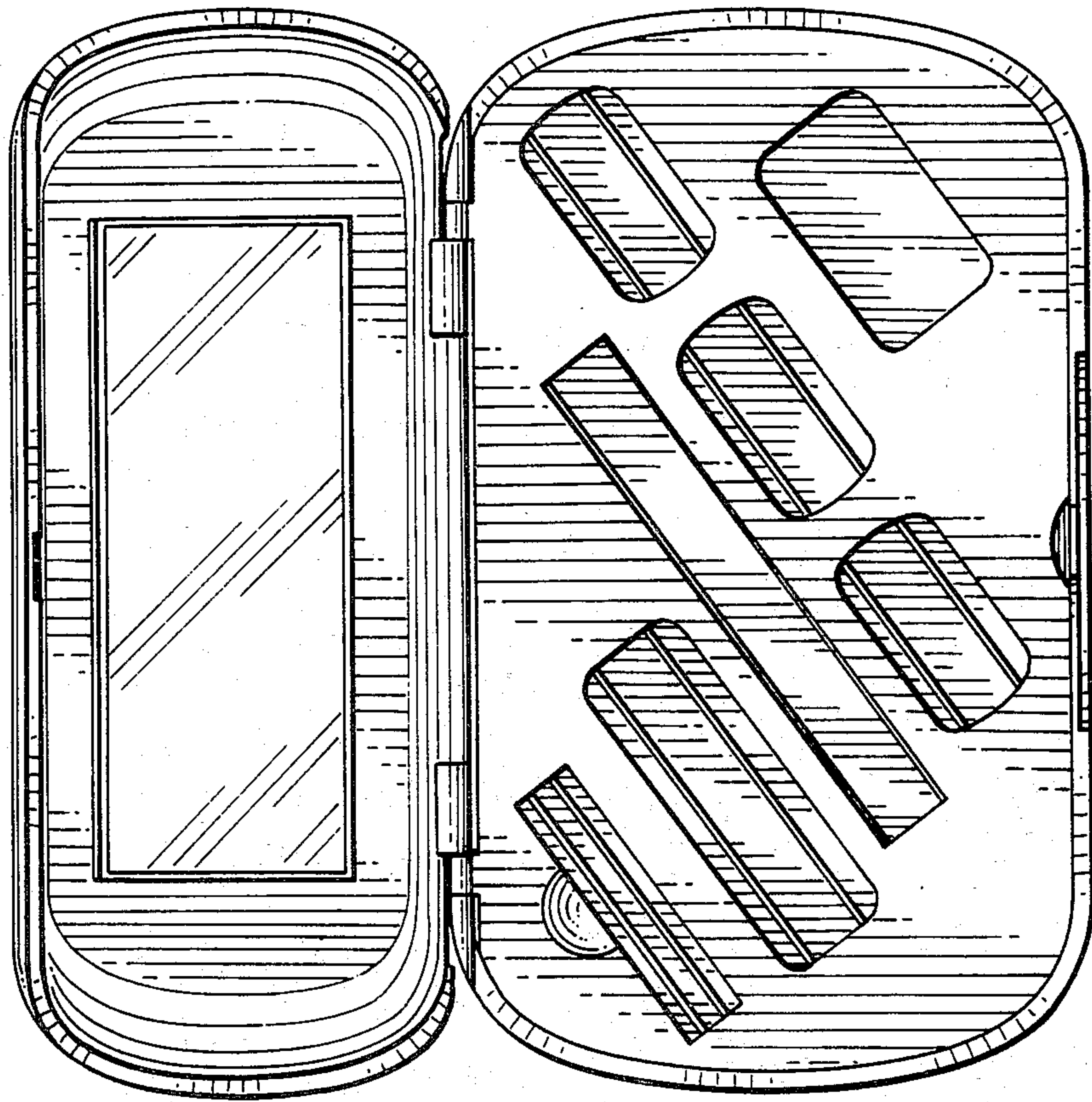


FIG. 6

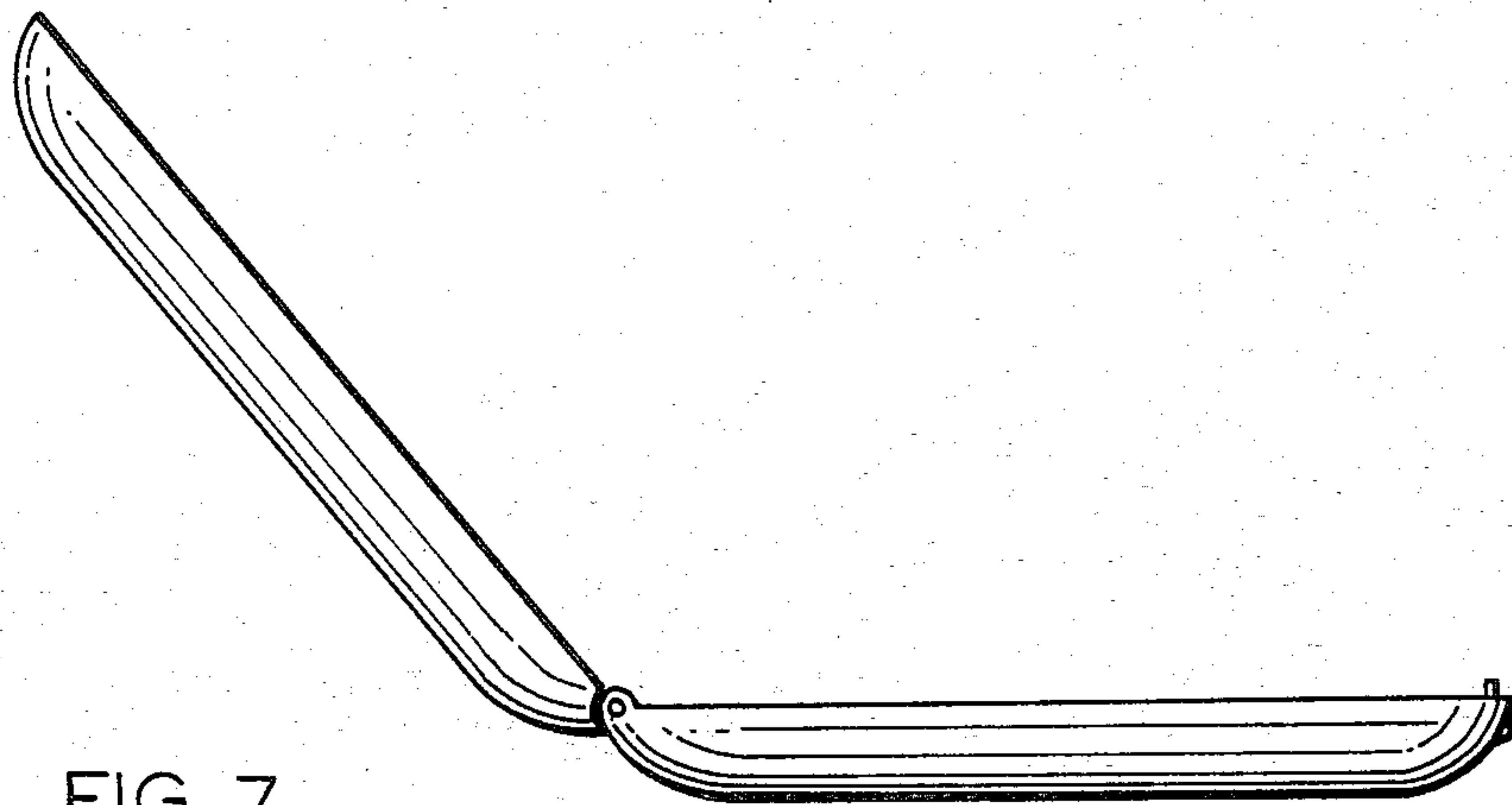


FIG. 7