

[54] PORTABLE RECHARGEABLE LIGHT

[75] Inventors: Koichiro Sano; Tadahide Okuno; Satoru Usami, all of Osaka, Japan

[73] Assignee: Matsushita Electric Industrial Co., Ltd., Osaka, Japan

[**] Term: 14 Years

[21] Appl. No.: 675,577

[22] Filed: Nov. 28, 1984

[30] Foreign Application Priority Data

May 31, 1984 [JP] Japan 59-22455

[52] U.S. Cl. D26/63

[58] Field of Search D26/60-66, D26/93, 106-109; 362/269, 270, 275, 287, 418, 427, 410, 413, 98, 99, 157, 183, 188, 199

[56] References Cited

U.S. PATENT DOCUMENTS

- D. 109,838 5/1938 Alcott D26/109
- D. 206,391 12/1966 Lax D26/64
- D. 215,480 9/1969 Froelich et al. D26/65
- D. 216,912 3/1970 Daito D26/65

FOREIGN PATENT DOCUMENTS

- 76177 11/1946 Czechoslovakia 362/413
- 823008 11/1951 Fed. Rep. of Germany 362/217

OTHER PUBLICATIONS

Hong Kong "Enterprise" by Hang Ho Industrial Co., p. 137, Triad Light, Fluorescent Lantern.

Primary Examiner—Susan J. Lucas
Attorney, Agent, or Firm—Sughrue, Mion, Zinn, Macpeak & Seas

[57] CLAIM

The ornamental design for a portable rechargeable light, as shown and described.

DESCRIPTION

FIG. 1 is a front, top and left side perspective view of a portable rechargeable light showing our new design; FIG. 2 is a rear, bottom and right side perspective view thereof; FIG. 3 is a perspective view thereof in folded, closed position; FIG. 4 is a left side elevational view in the open position; FIG. 5 is a left side elevational view thereof in closed position; and FIG. 6 is a front elevational view thereof in open position.

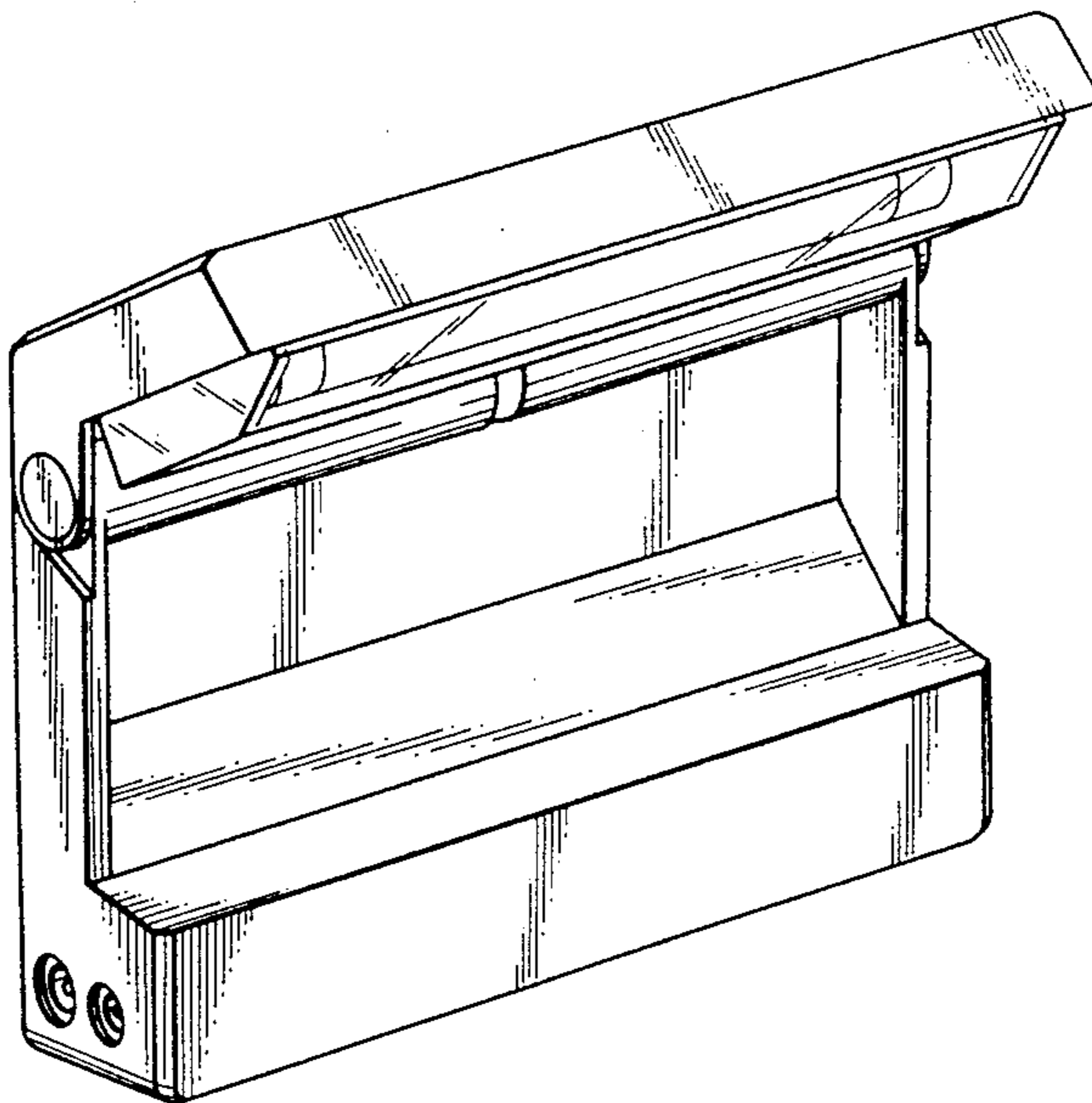


Fig. 1

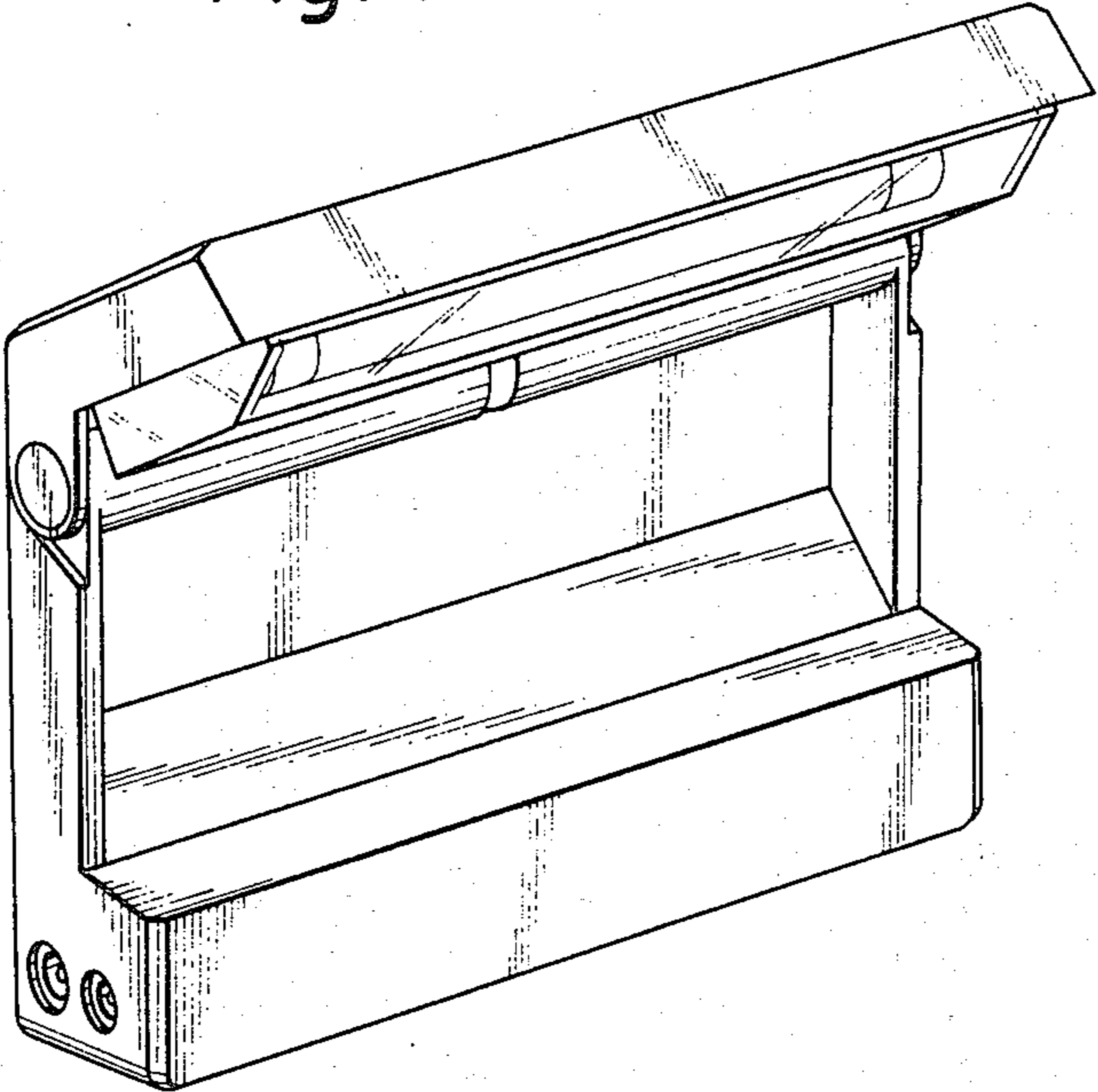


Fig. 2

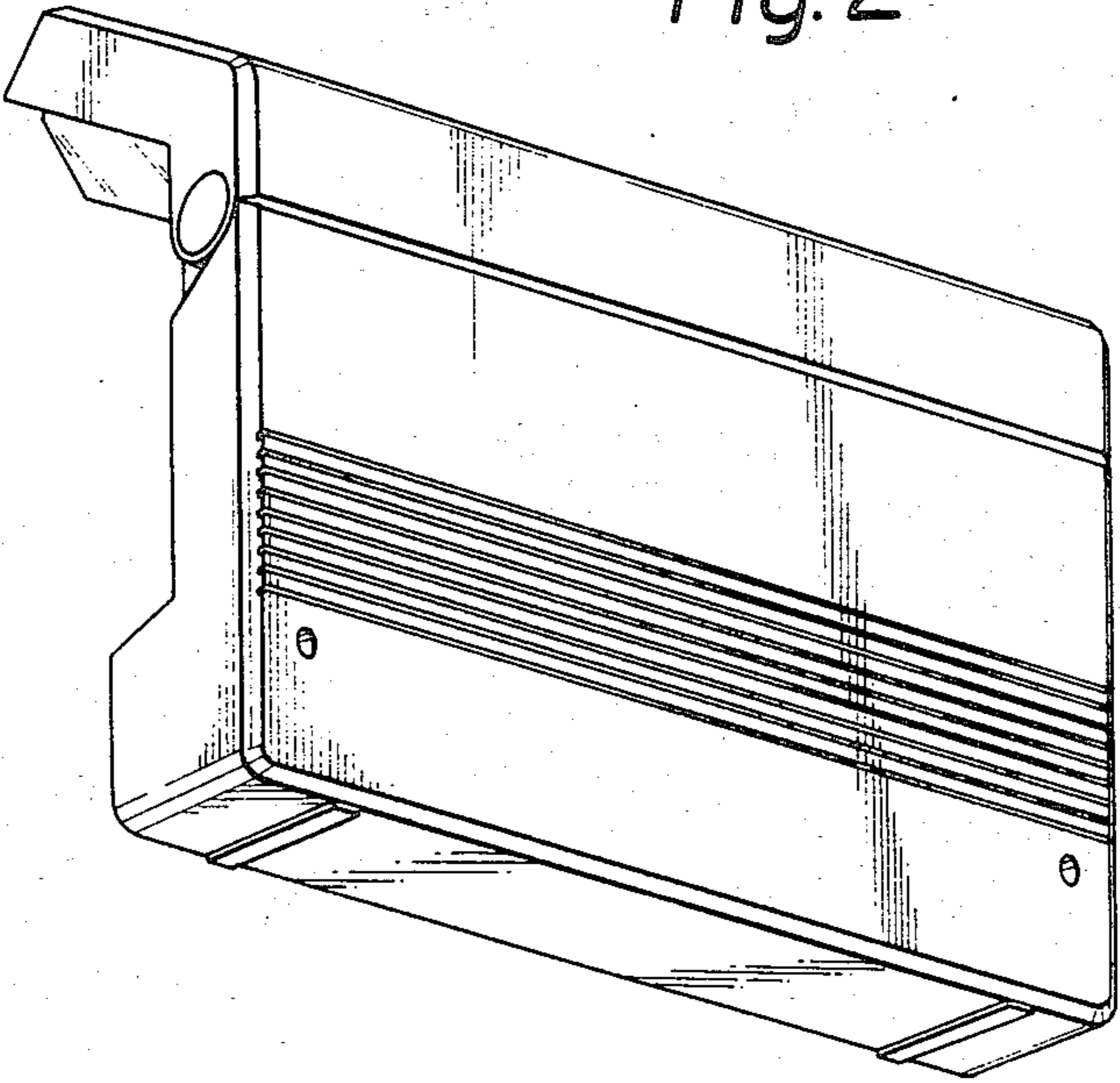


Fig. 3

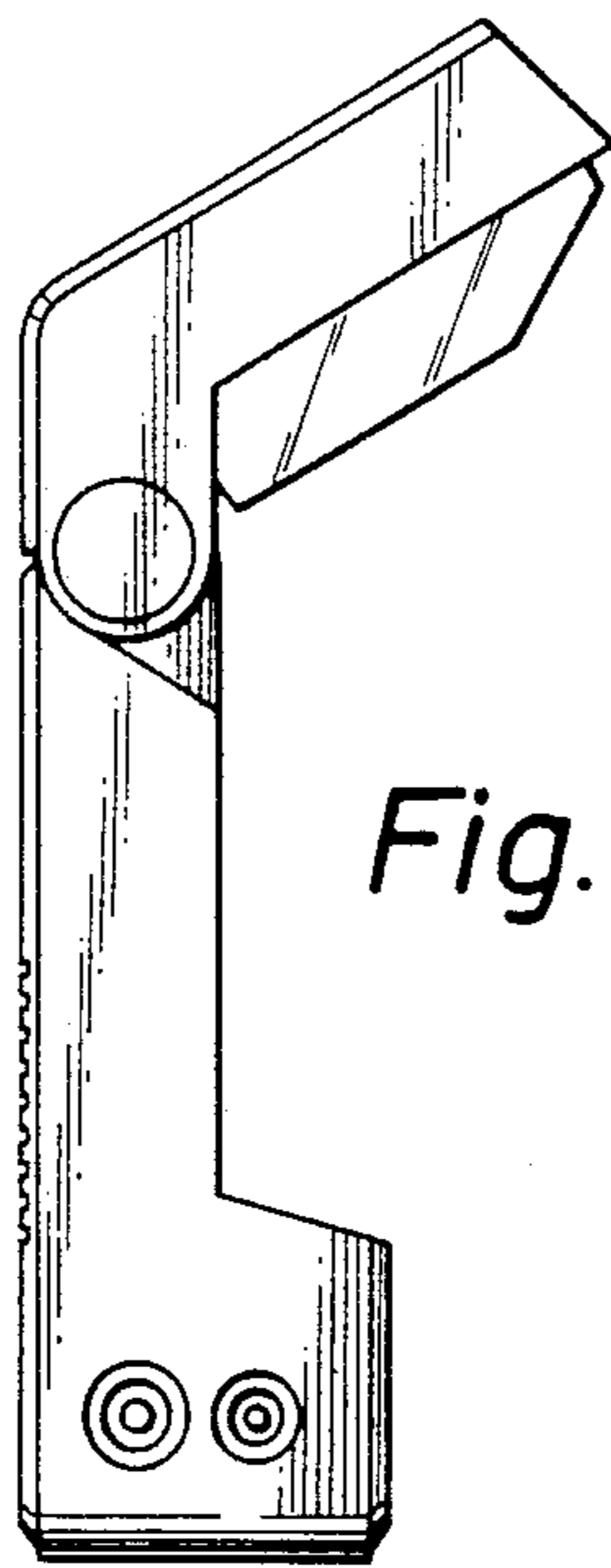
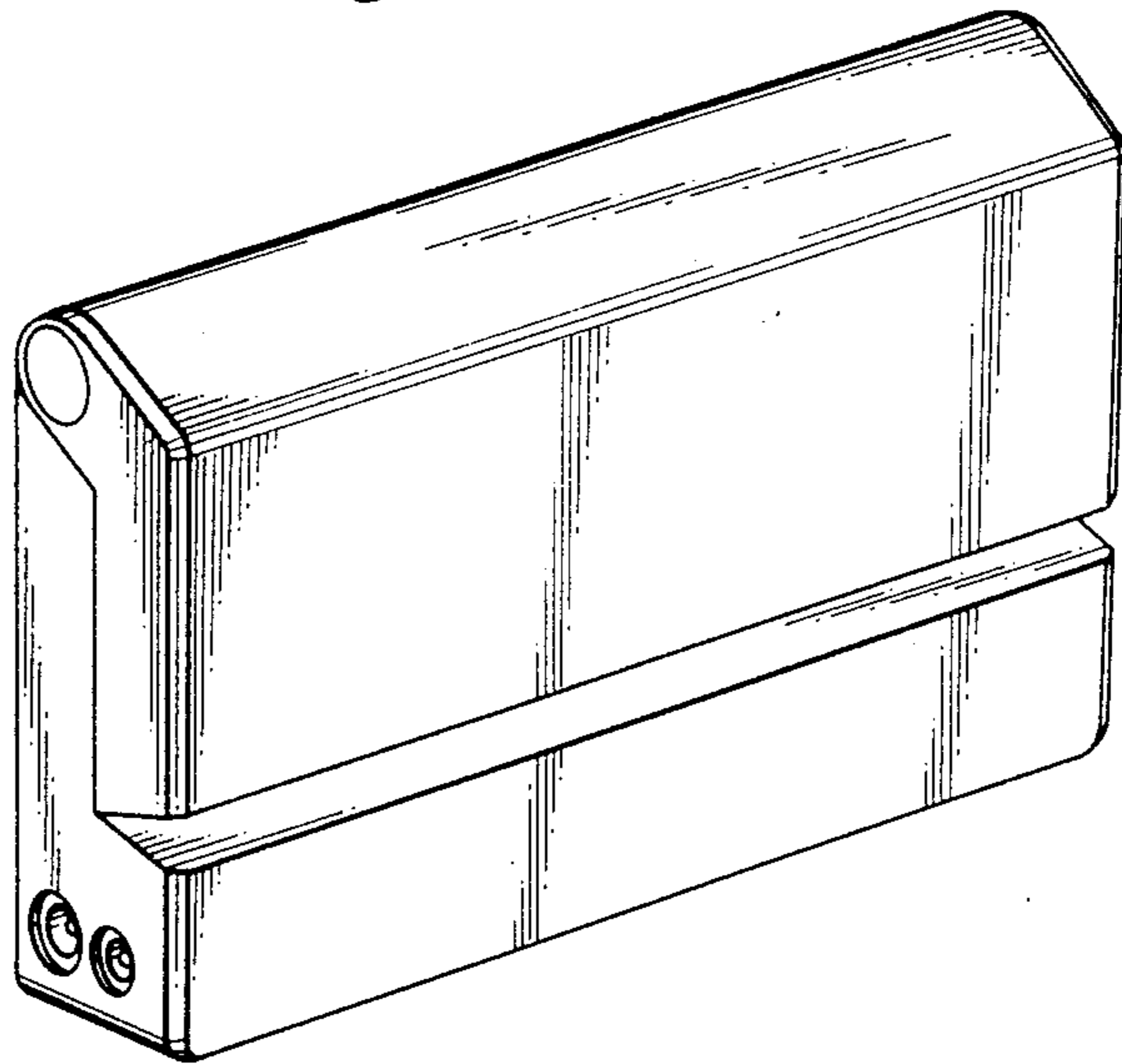
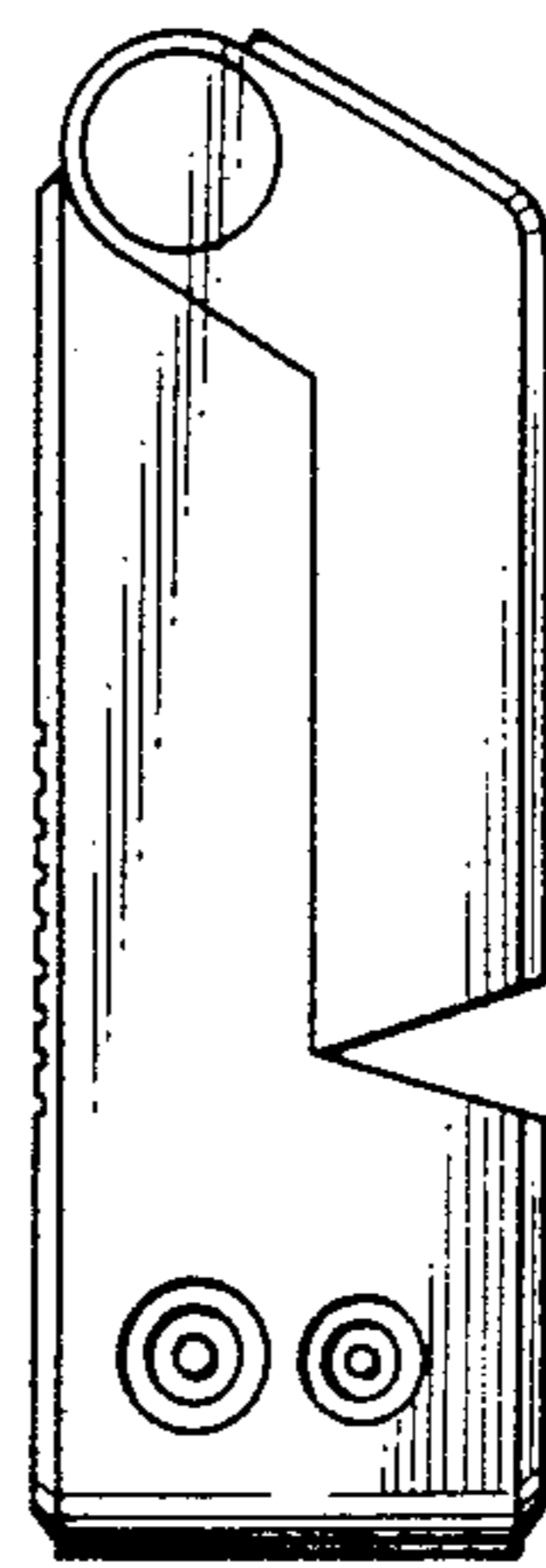


Fig. 4

Fig. 5



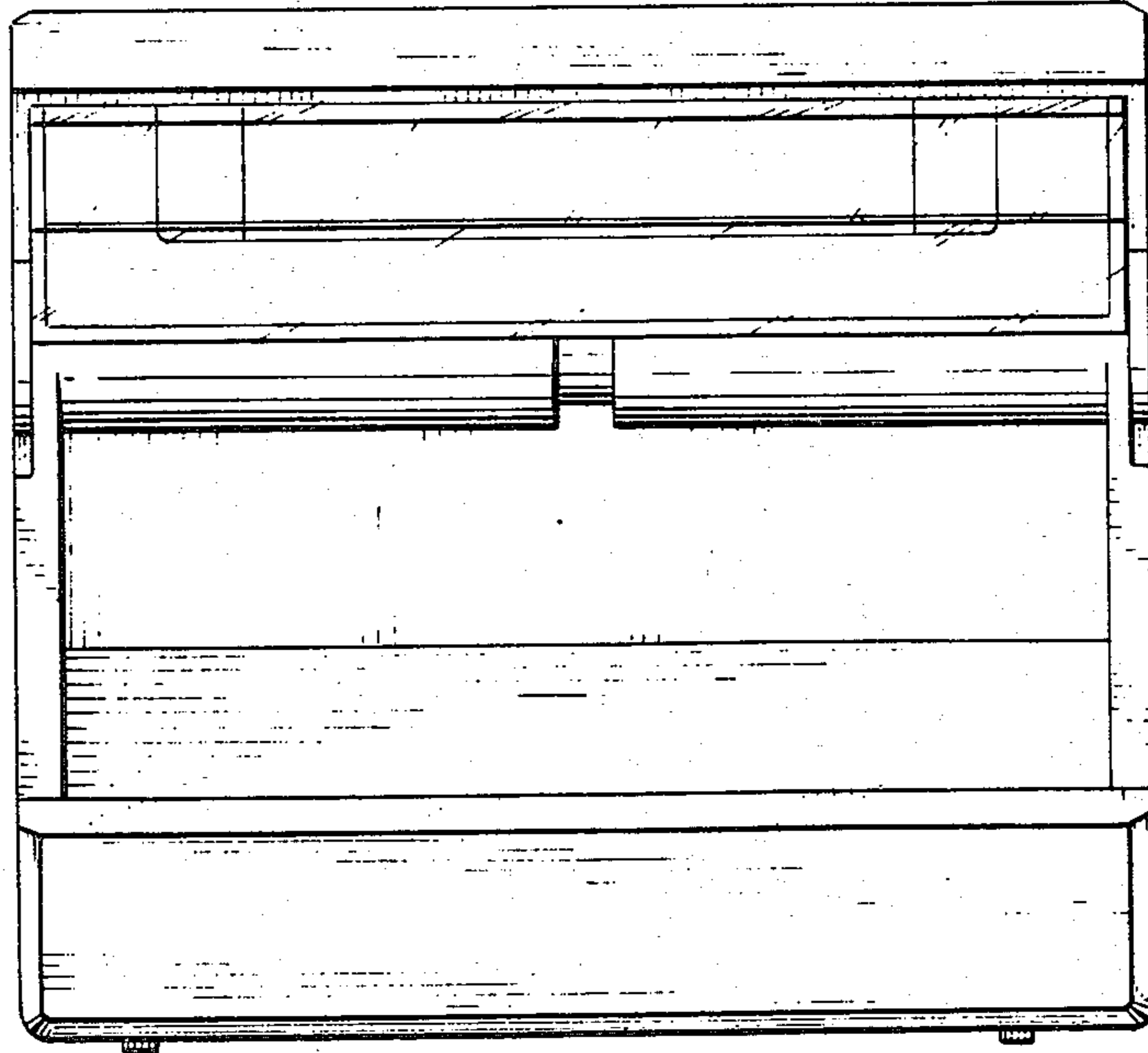


Fig. 6