

[54] PUNCTURING PIN FOR OVEN CLEANING PADS

3,088,654 5/1963 Perino et al. 206/603
4,563,103 1/1986 Van Overloop et al. 401/134

[75] Inventor: Gregory M. Gatarz, East Brunswick, N.J.

[73] Assignee: American Home Products Corporation, New York, N.Y.

[**] Term: 14 Years

[21] Appl. No.: 636,303

[22] Filed: Jul. 31, 1984

[52] U.S. Cl. D32/52

[58] Field of Search D32/45, 52, 35;
401/132, 134, 196, 261; 206/603, 601; 222/80,
81, 82

[56] References Cited

U.S. PATENT DOCUMENTS

1,982,973 12/1931 Wendel 206/603 X
2,119,793 6/1938 Plageman 206/603
2,132,741 10/1938 Kyseth 206/603
2,695,704 11/1954 McGredy 401/196 X

OTHER PUBLICATIONS

Puncturing pin as seen on inner wrap of S.O.S. Oven Cleaning Pad presently on market.

Primary Examiner—A. Hugo Word
Assistant Examiner—Stella M. Reid
Attorney, Agent, or Firm—Arthur E. Wilfond

[57] CLAIM

The ornamental design for a puncturing pin for oven cleaning pads, as shown and described.

DESCRIPTION

FIG. 1 is a top plan view of a puncturing pin for oven cleaning pads embodying my new design; FIG. 2 is a front elevational view thereof; FIG. 3 is a right side elevational view thereof; FIG. 4 is a left side elevational view thereof; FIG. 5 is a rear elevational view thereof; FIG. 6 is a bottom plan view thereof; and FIG. 7 is an isometric view thereof, in closed position.

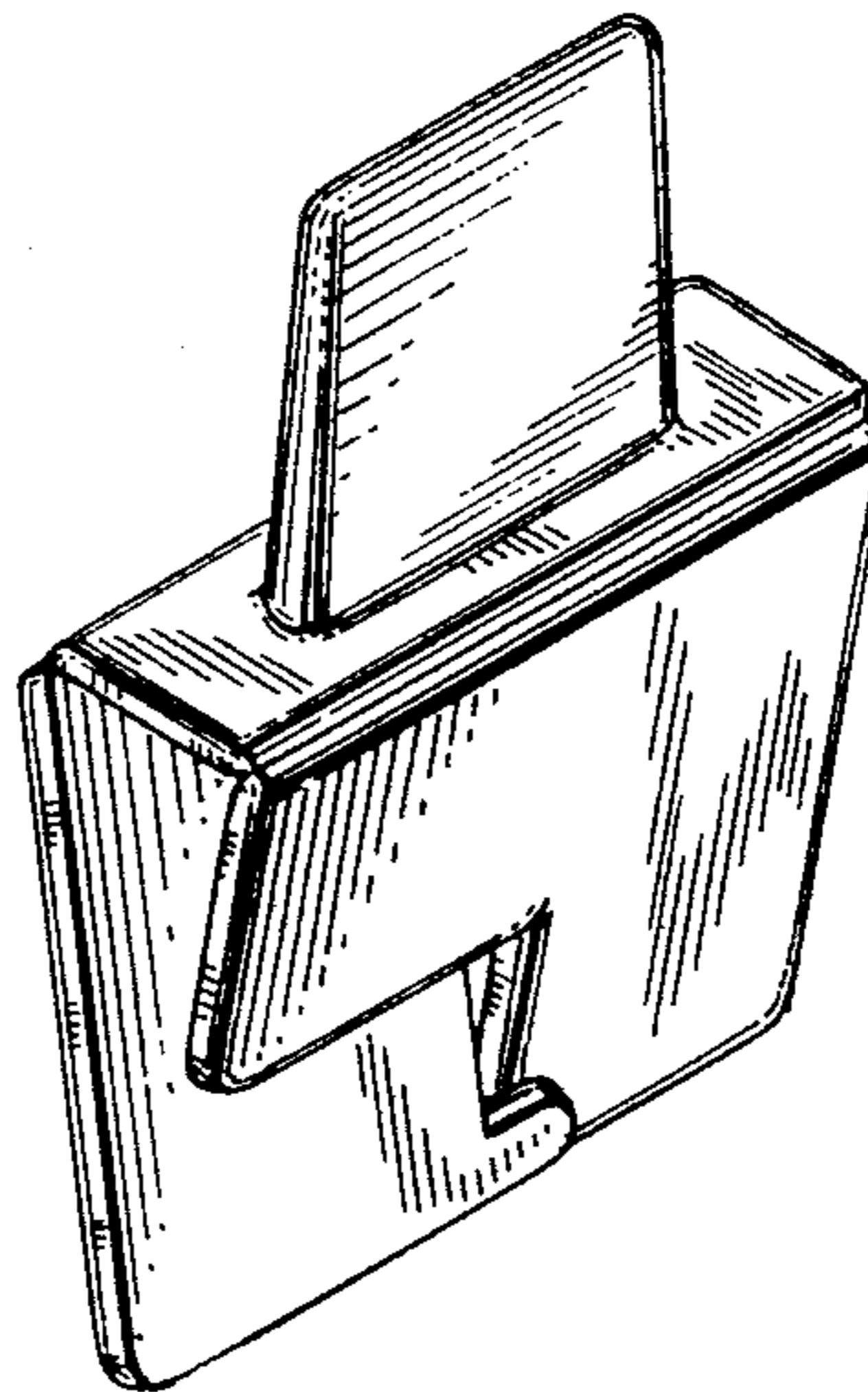


FIG. 1

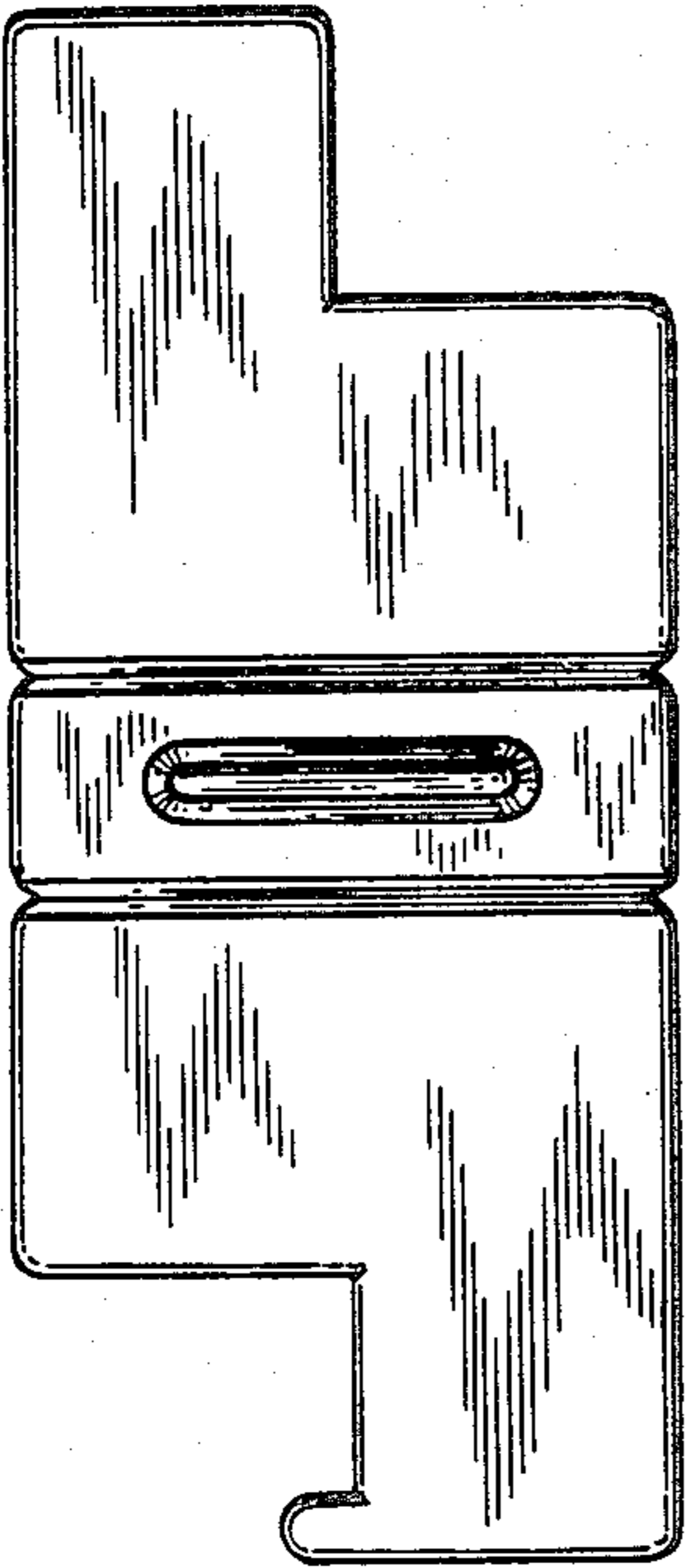


FIG. 3

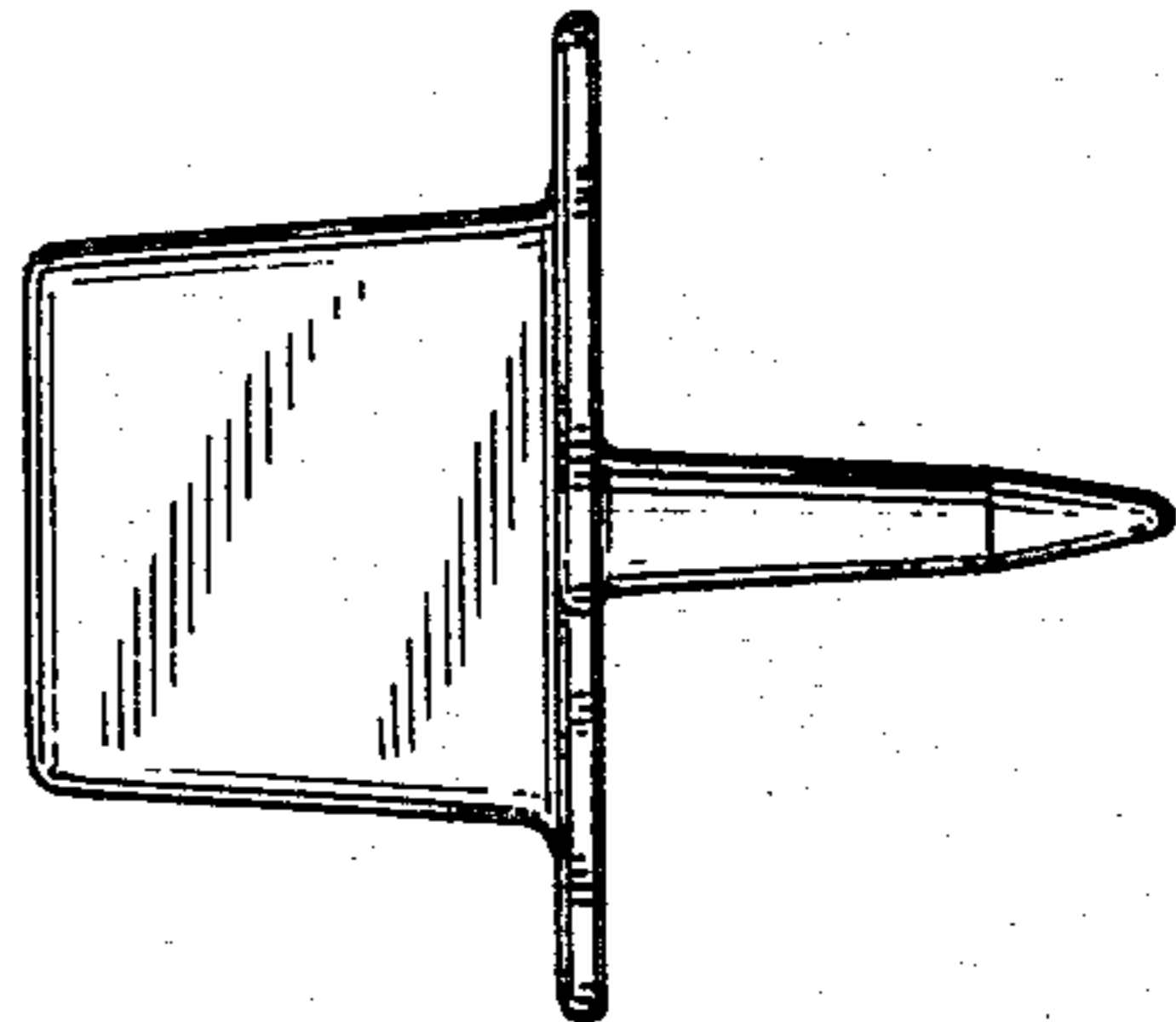


FIG. 2

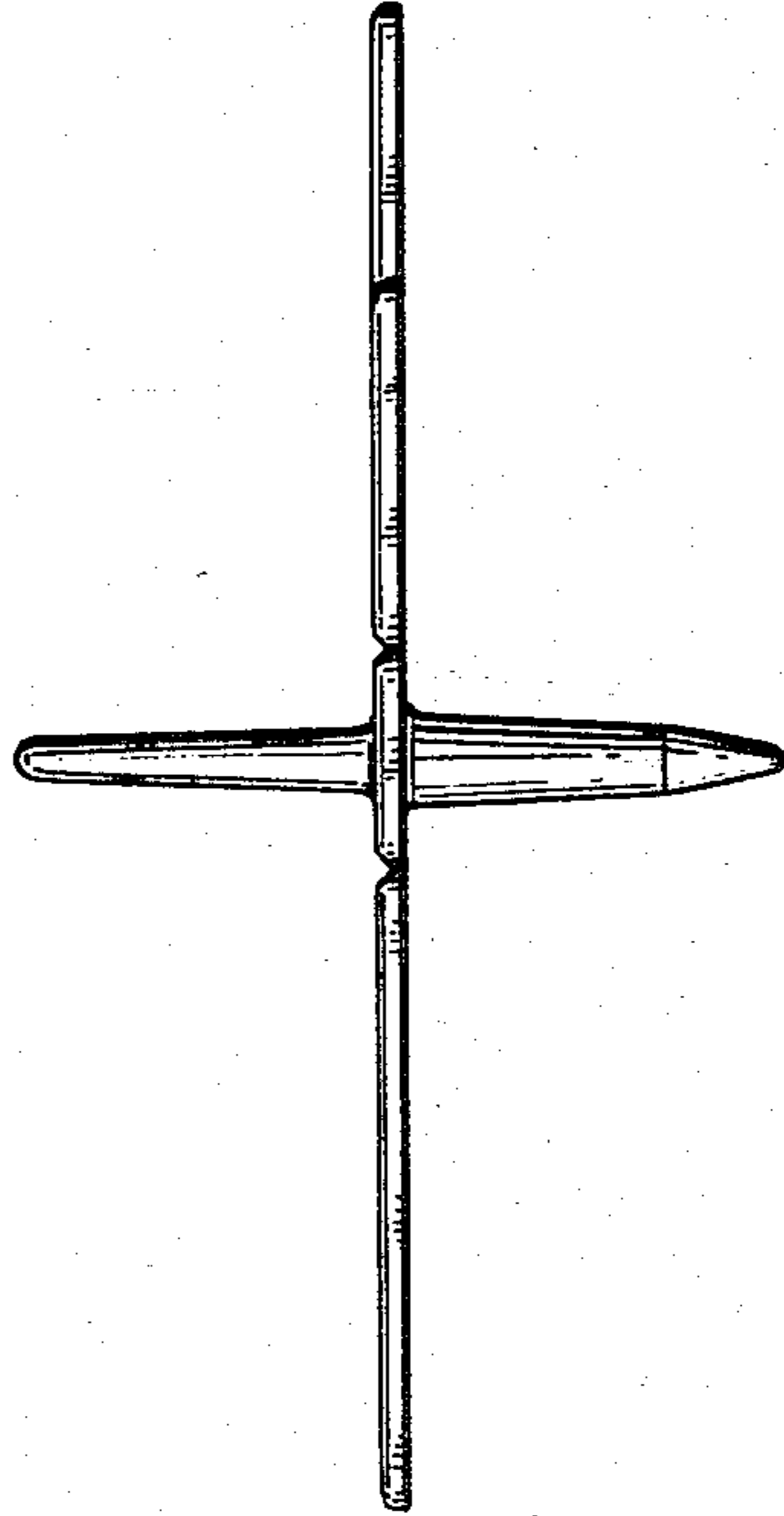


FIG. 4

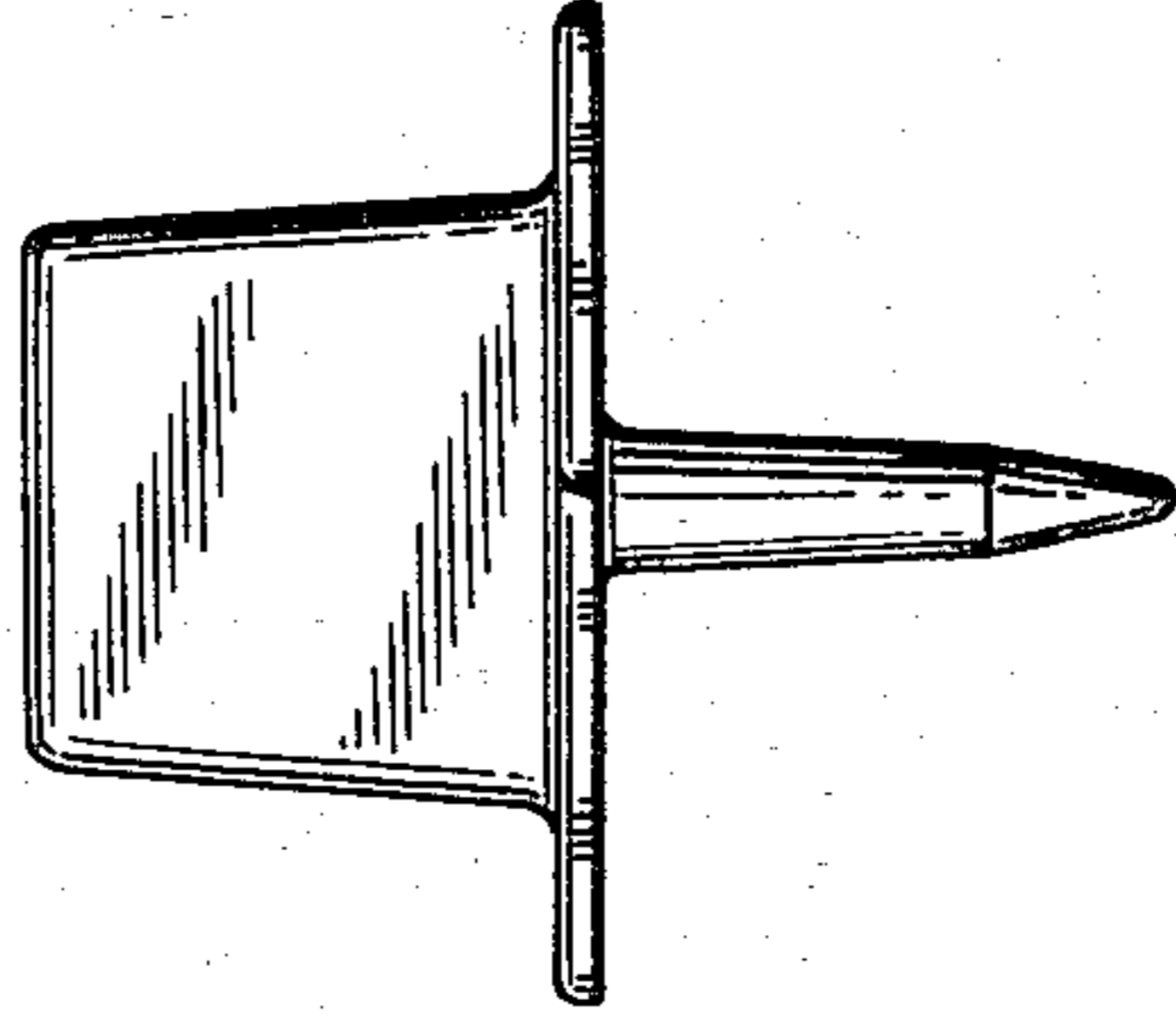


FIG. 5

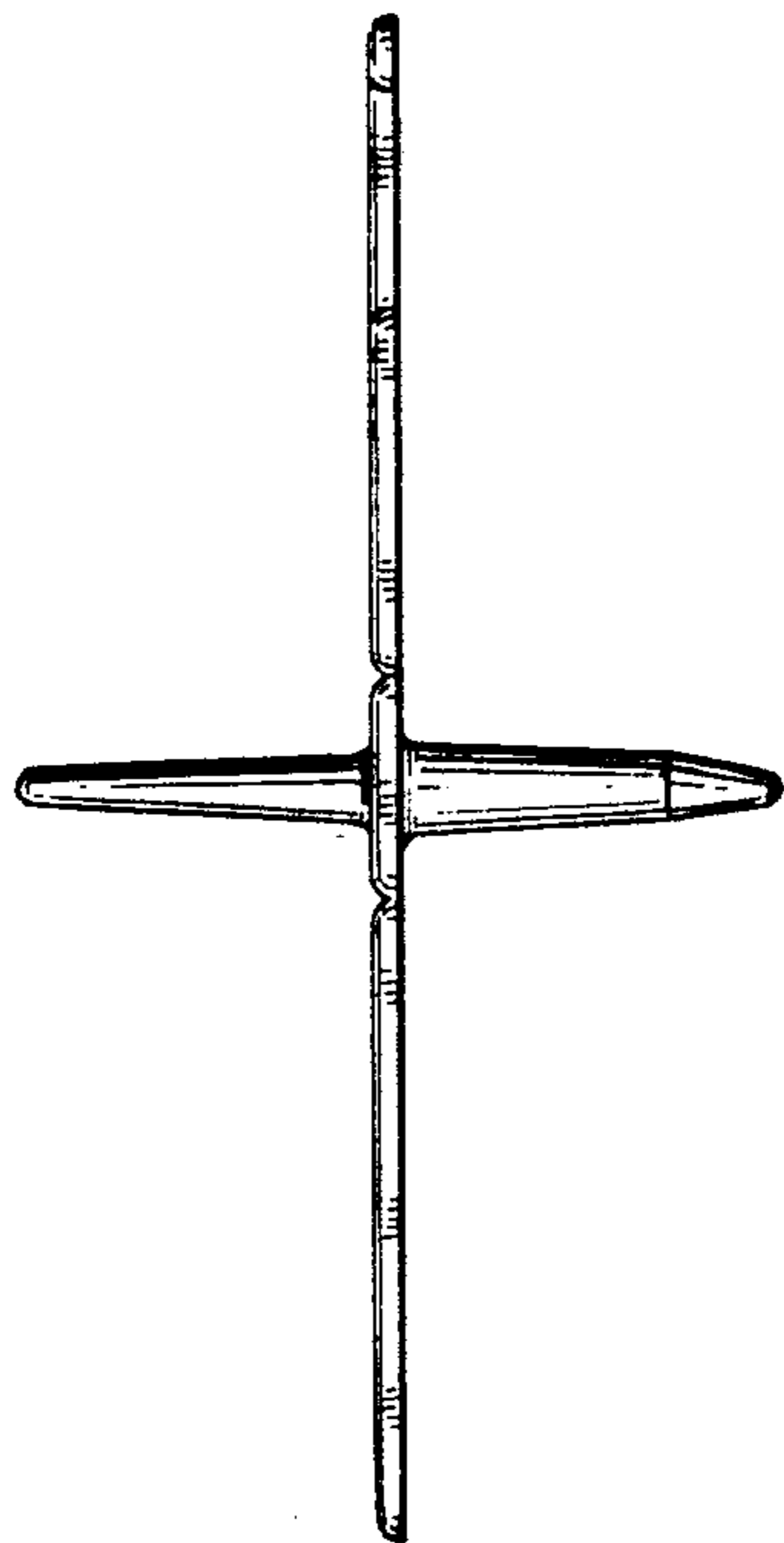


FIG. 7

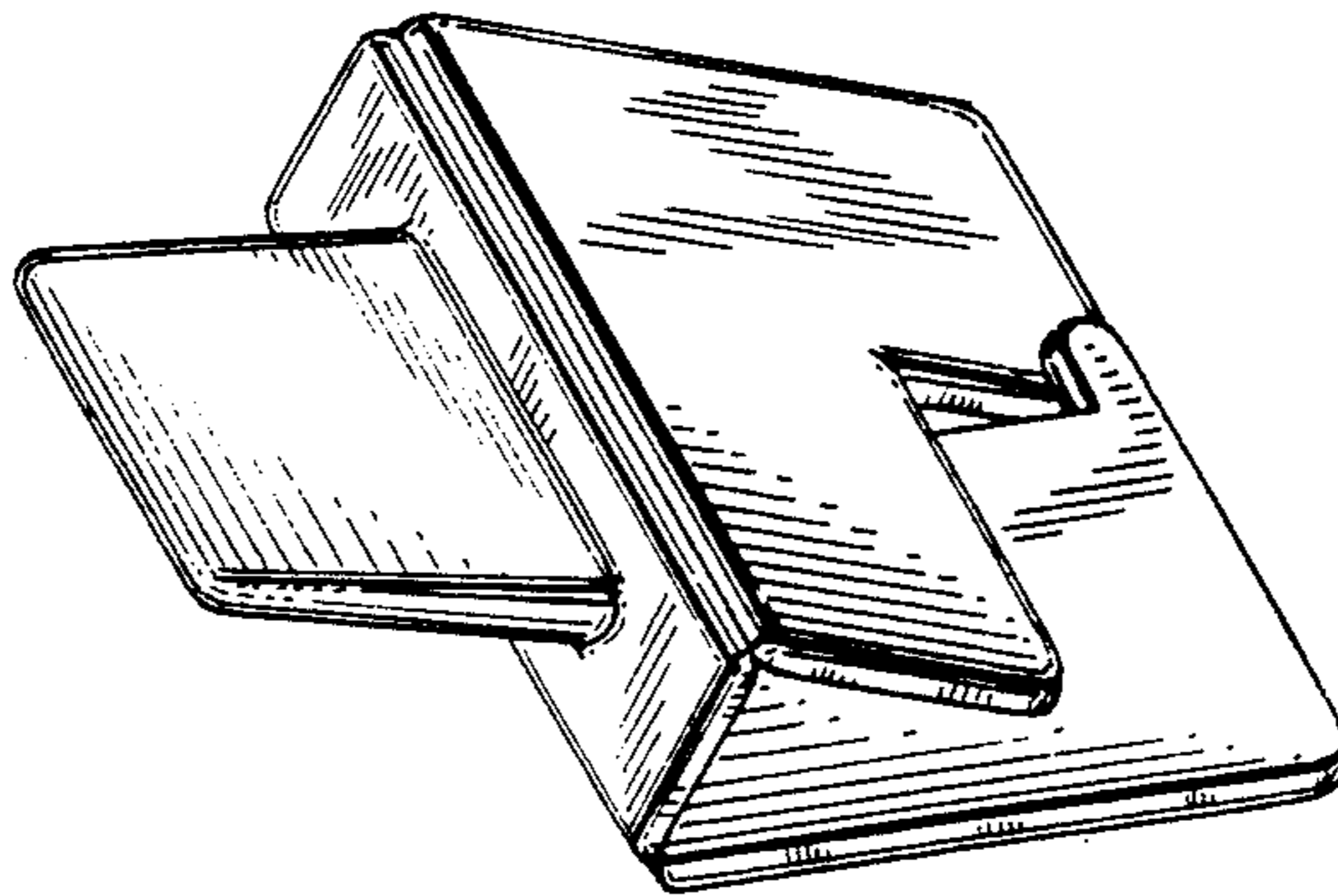


FIG. 6

