

[54] EXERCISE CYCLE

[75] Inventors: John A. Kasuba, Germantown; John T. Kanne, Memphis; Sajjan S. Dhaliwal, Germantown, all of Tenn.; Emerson J. Purkapile, Chicago, Ill.

[73] Assignee: Allegheny International Exercise Co., Lincolnton, N.C.

[\*\*] Term: 14 Years

[21] Appl. No.: 696,683

[22] Filed: Jan. 30, 1985

[52] U.S. Cl. .... D21/194

[58] Field of Search ..... D21/191-199; 272/69, 70, 68, 73

[56] References Cited

U.S. PATENT DOCUMENTS

- D. 250,284 11/1978 Borck ..... D21/194
- D. 279,206 6/1985 Smith et al. .... D21/194
- D. 279,811 7/1985 Nakao et al. .... D21/194
- 4,533,136 8/1985 Smith et al. .... 272/73

Primary Examiner—Charles A. Rademaker  
Attorney, Agent, or Firm—John L. LaPierre; John K. Williamson

[57] CLAIM

The ornamental design for an exercise cycle, as shown and described.

DESCRIPTION

FIG. 1 is a right side elevational view of an exercise cycle illustrating our new design, the side opposite being substantially a mirror image;  
FIG. 2 is a top plan view thereof;  
FIG. 3 is a bottom plan view thereof;  
FIG. 4 is a rear elevational view thereof; and  
FIG. 5 is a front elevational view thereof.

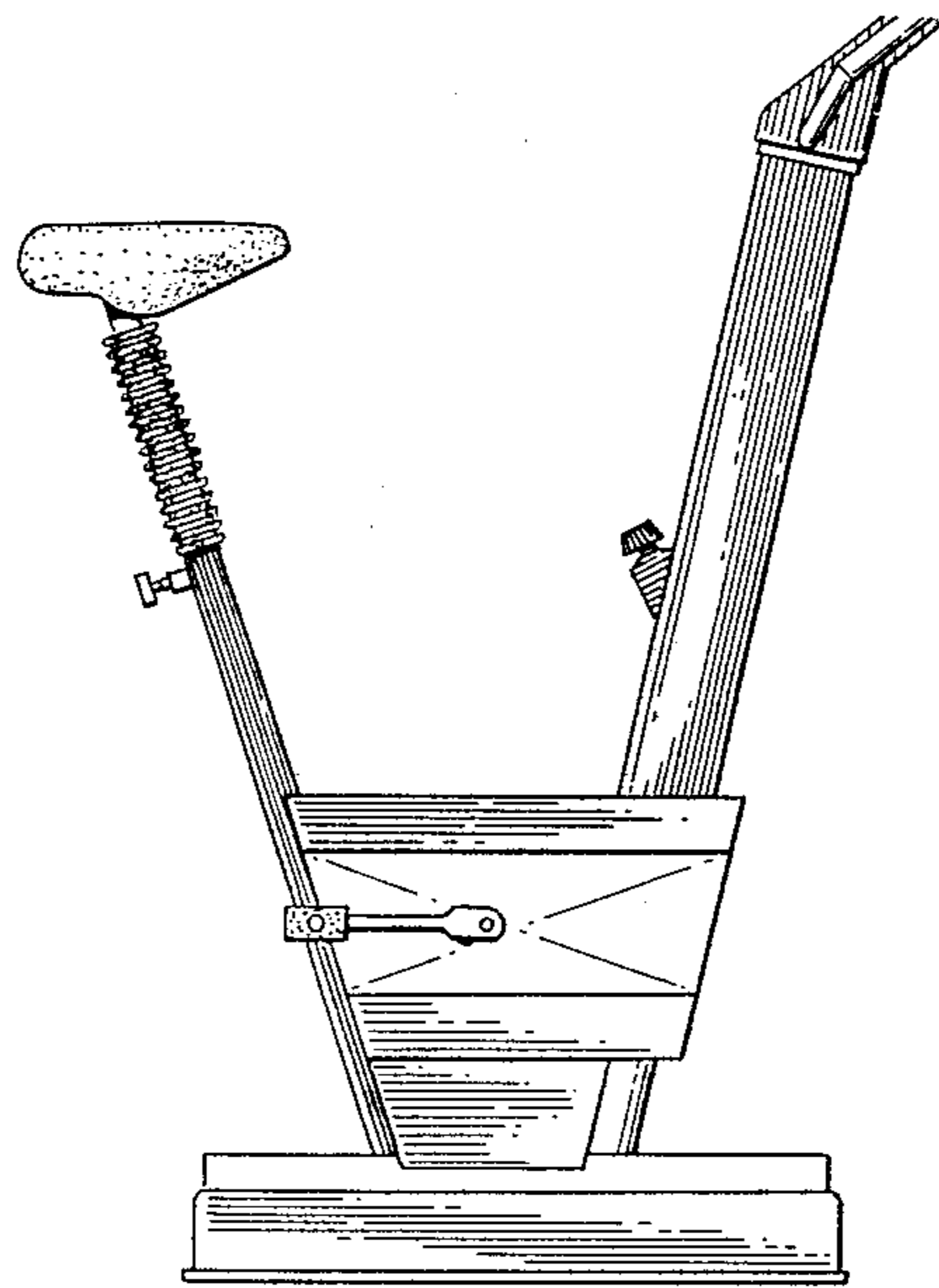


FIG. 2

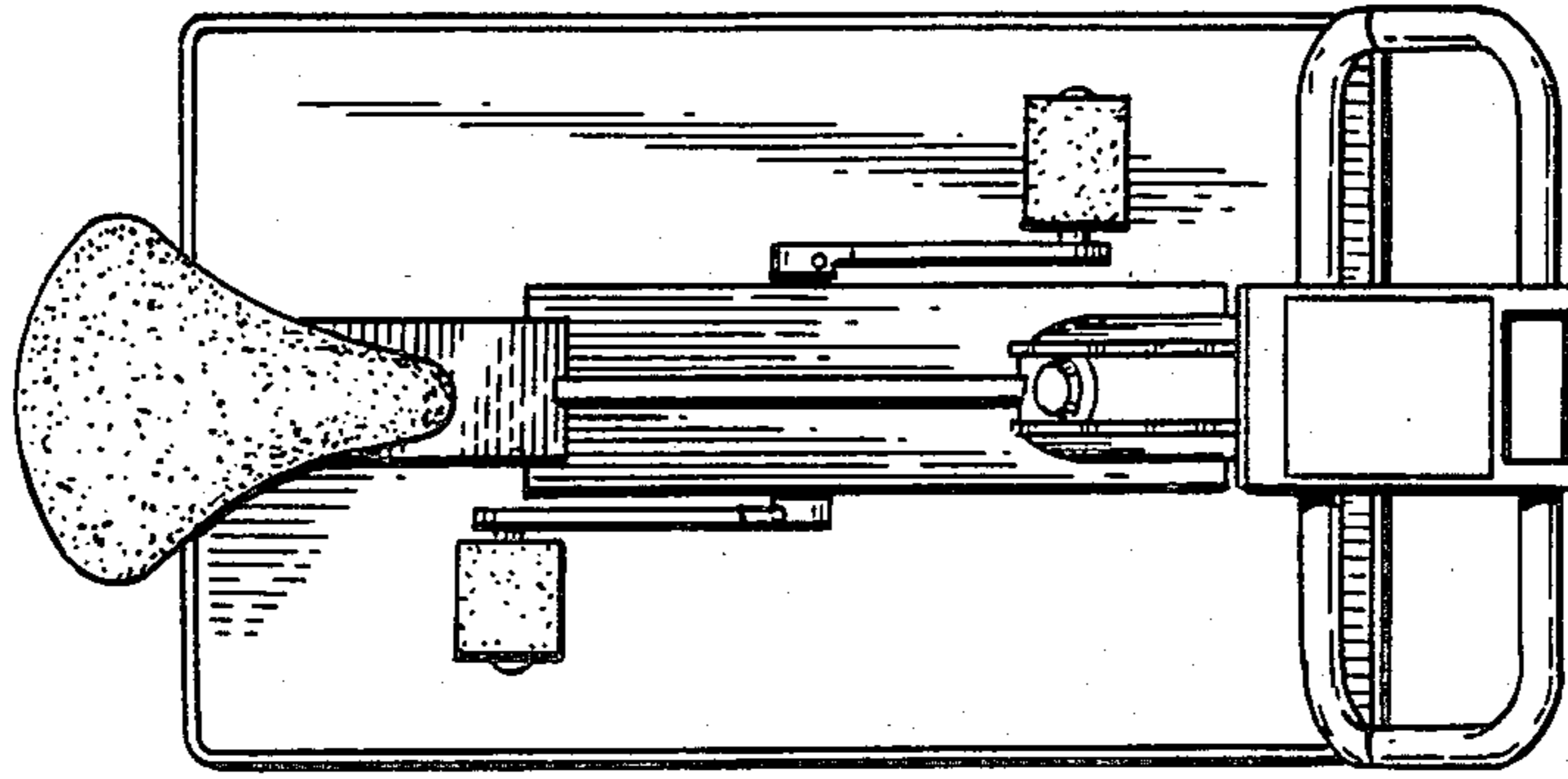


FIG. 1

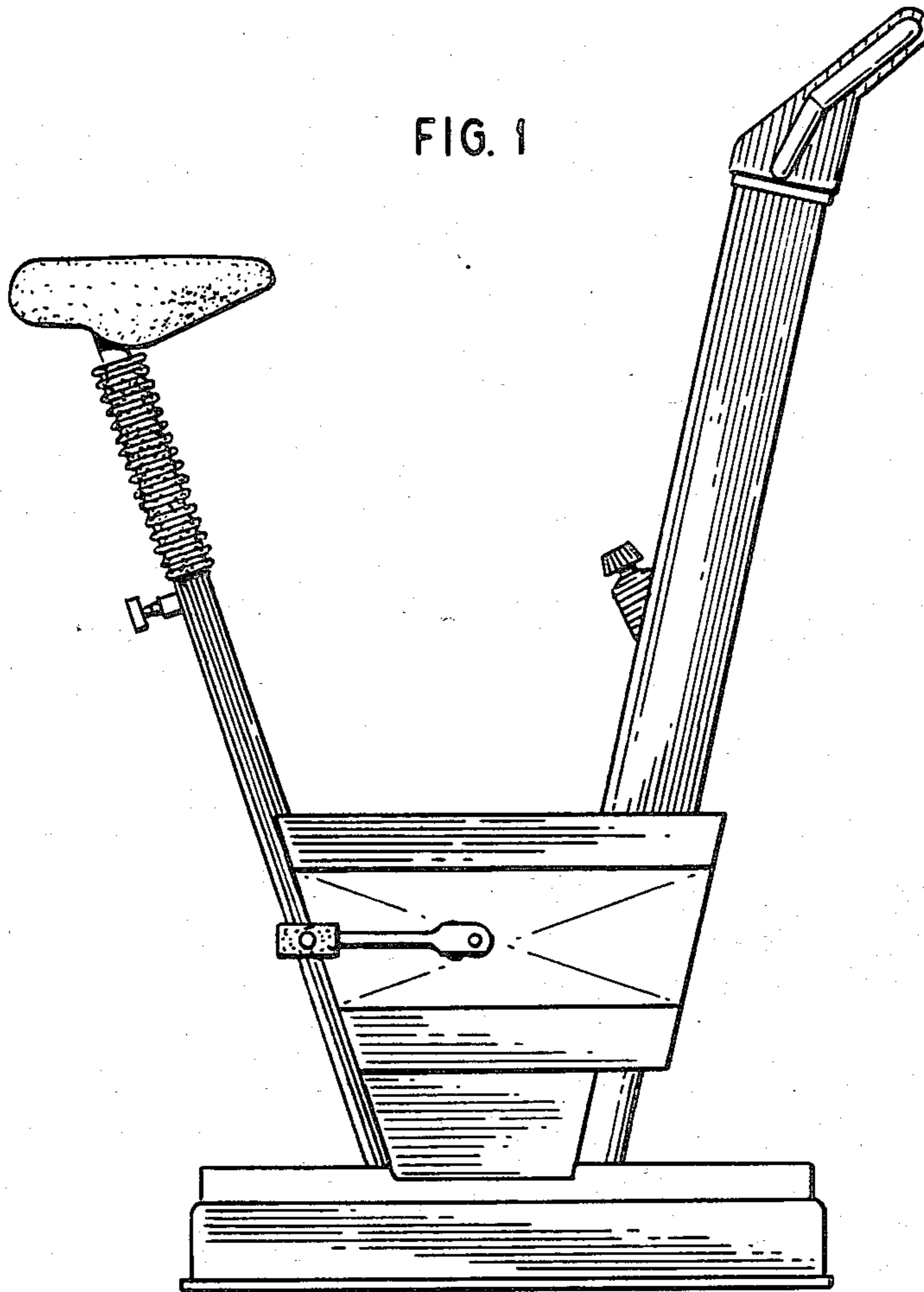


FIG. 3

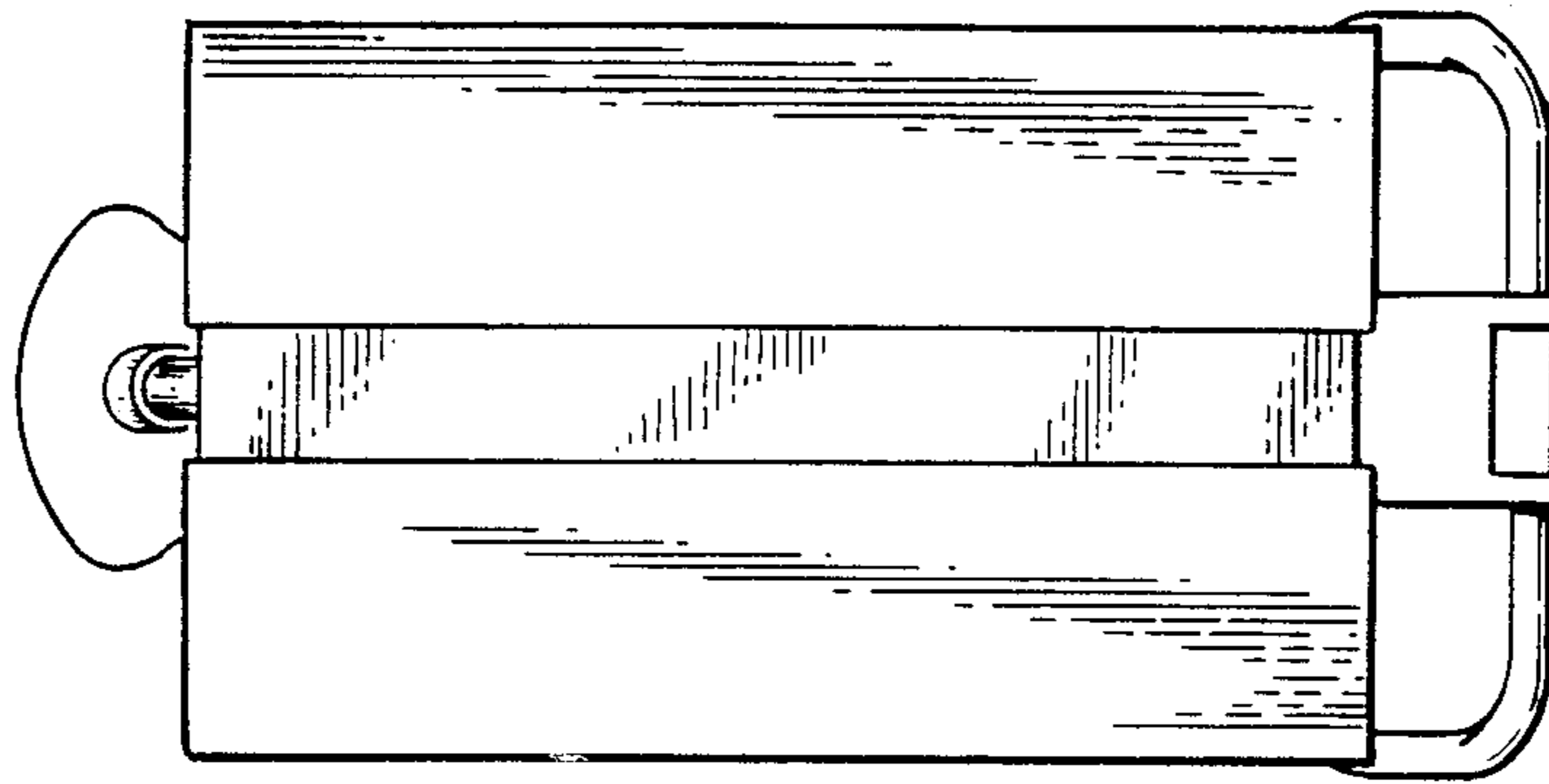


FIG. 4

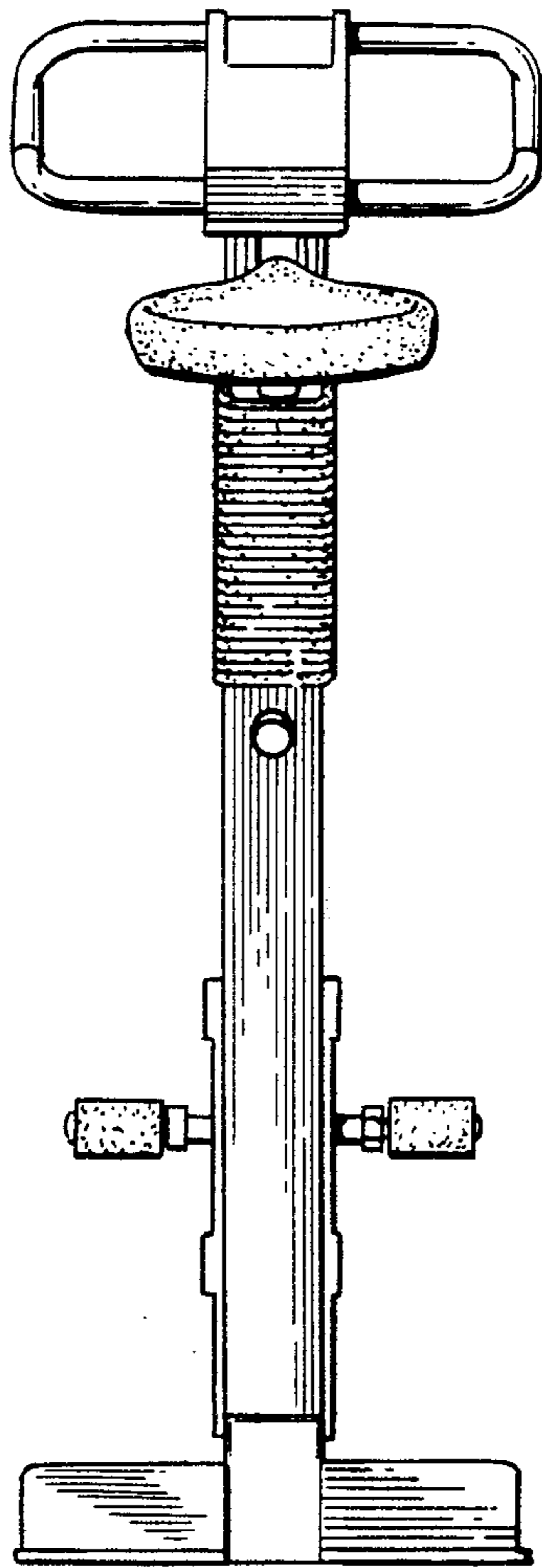


FIG. 5

