

[54] FRAME FOR EXERCISE OR SIMILAR ARTICLE

[76] Inventors: David Ringel, 239 Tanglewood East, N. Piscataway, N.J. 08853; Kenneth Domzalski, 2250 Plainfield Ave., Piscataway, N.J. 08854

[**] Term: 14 Years

[21] Appl. No.: 686,271

[22] Filed: Dec. 24, 1984

[52] U.S. Cl. D21/191

[58] Field of Search D21/191-199; 272/123, 125, 144, 143, 133, 134, 136

[56] References Cited

U.S. PATENT DOCUMENTS

| | | | |
|------------|---------|---------------------|---------|
| D. 262,813 | 1/1982 | Lambert et al. | D21/195 |
| 3,501,140 | 3/1970 | Eichorn | 272/142 |
| 3,701,529 | 10/1972 | Kruthaupt | 272/70 |
| 4,252,314 | 2/1981 | Ceppo | 272/143 |

FOREIGN PATENT DOCUMENTS

1709 3/1983 PCT Int'l Appl. 272/123

OTHER PUBLICATIONS

Sporting Goods Dealer, 7-1977, p. 213, Bench Press Bench, at top left corner of page.

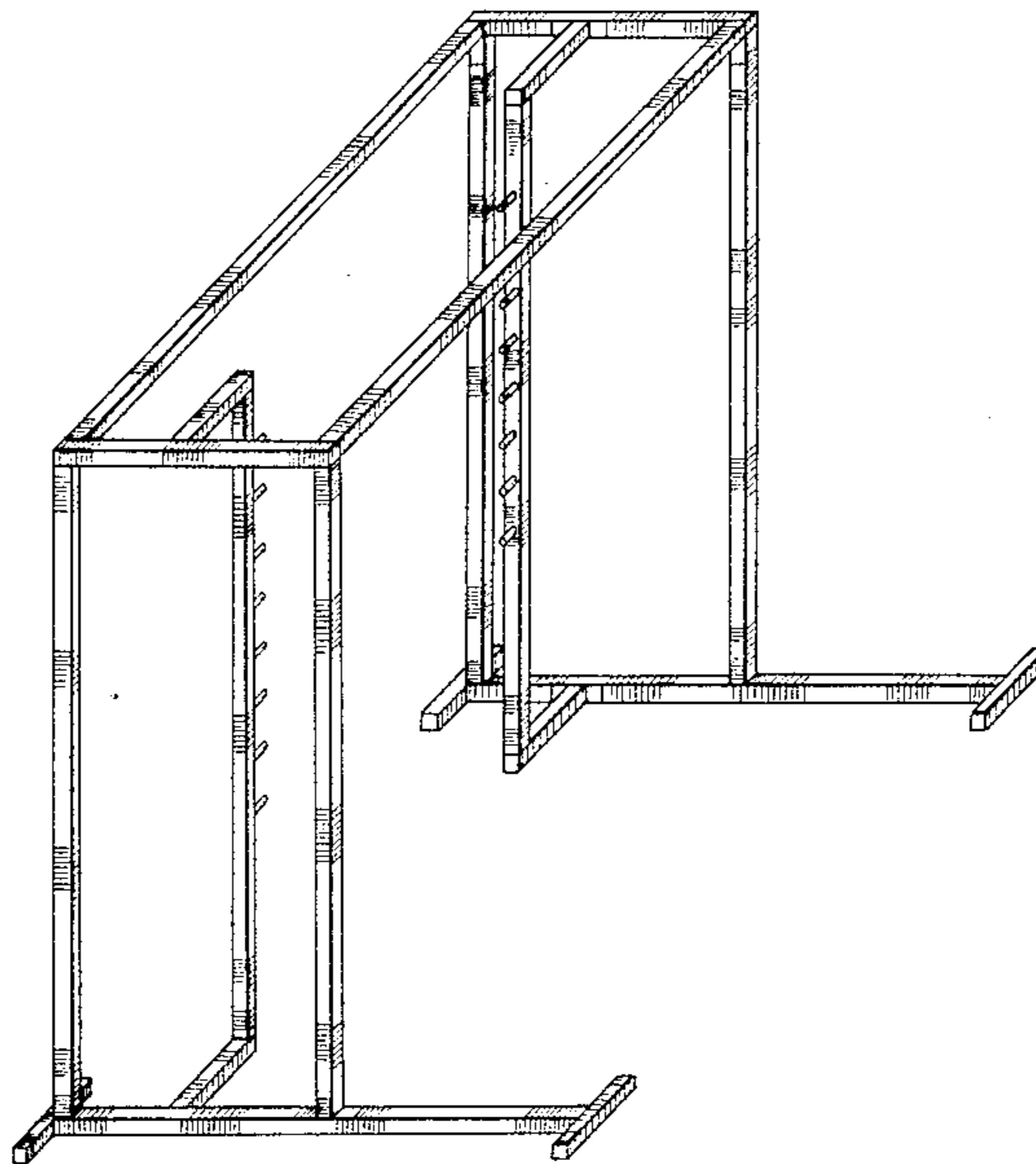
Primary Examiner—Charles A. Rademaker
Attorney, Agent, or Firm—Arthur L. Plevy

[57] CLAIM

The ornamental design for a frame for exercise or similar article, substantially as shown and described.

DESCRIPTION

FIG. 1 is a perspective view of a frame for exercise or similar article showing our new design; FIG. 2 is a front elevational view thereof; FIG. 3 is a side elevational view thereof, the side opposite being a mirror image; FIG. 4 is a top plan view thereof; and FIG. 5 is a bottom plan view thereof.



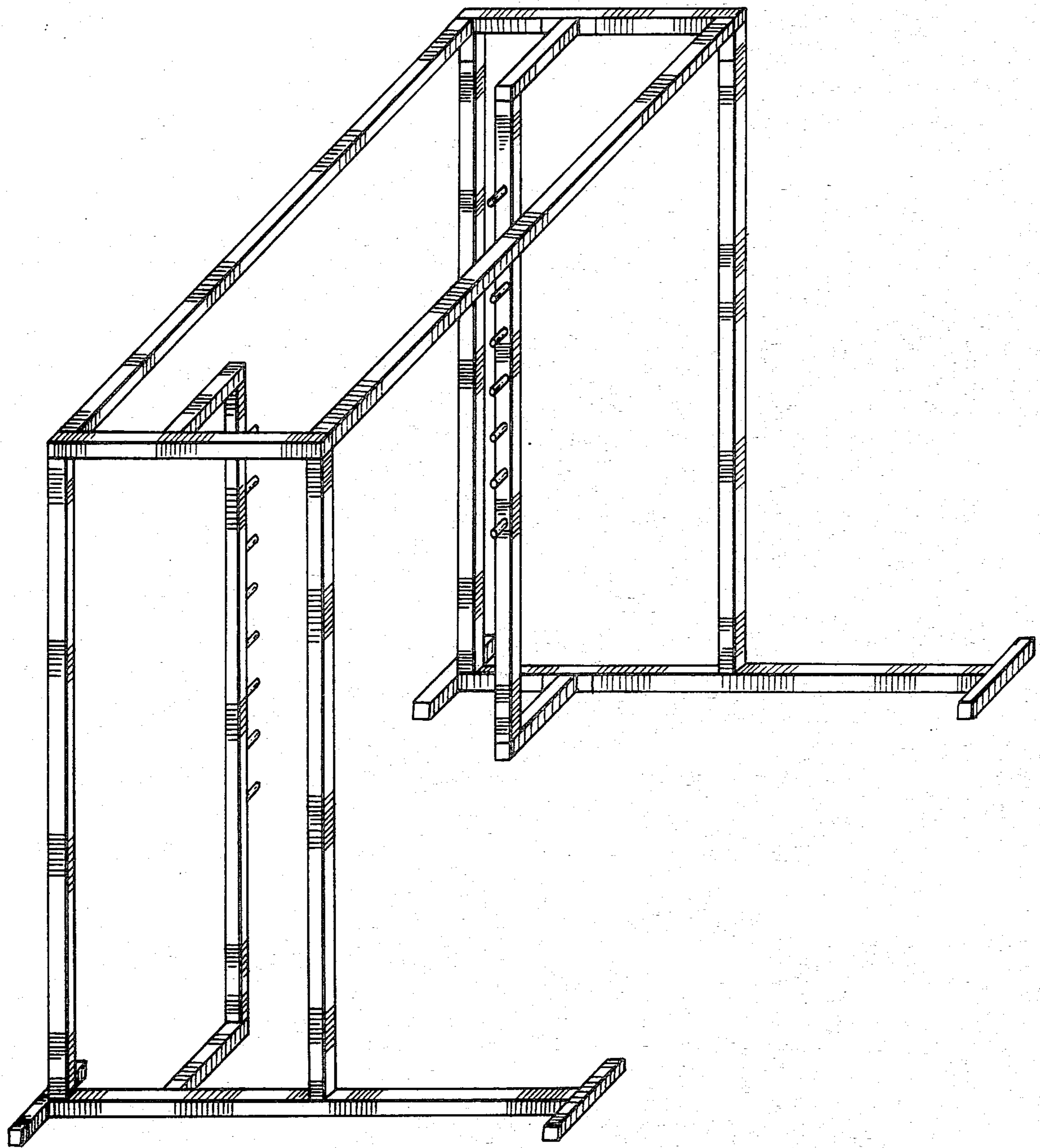


FIG. 1

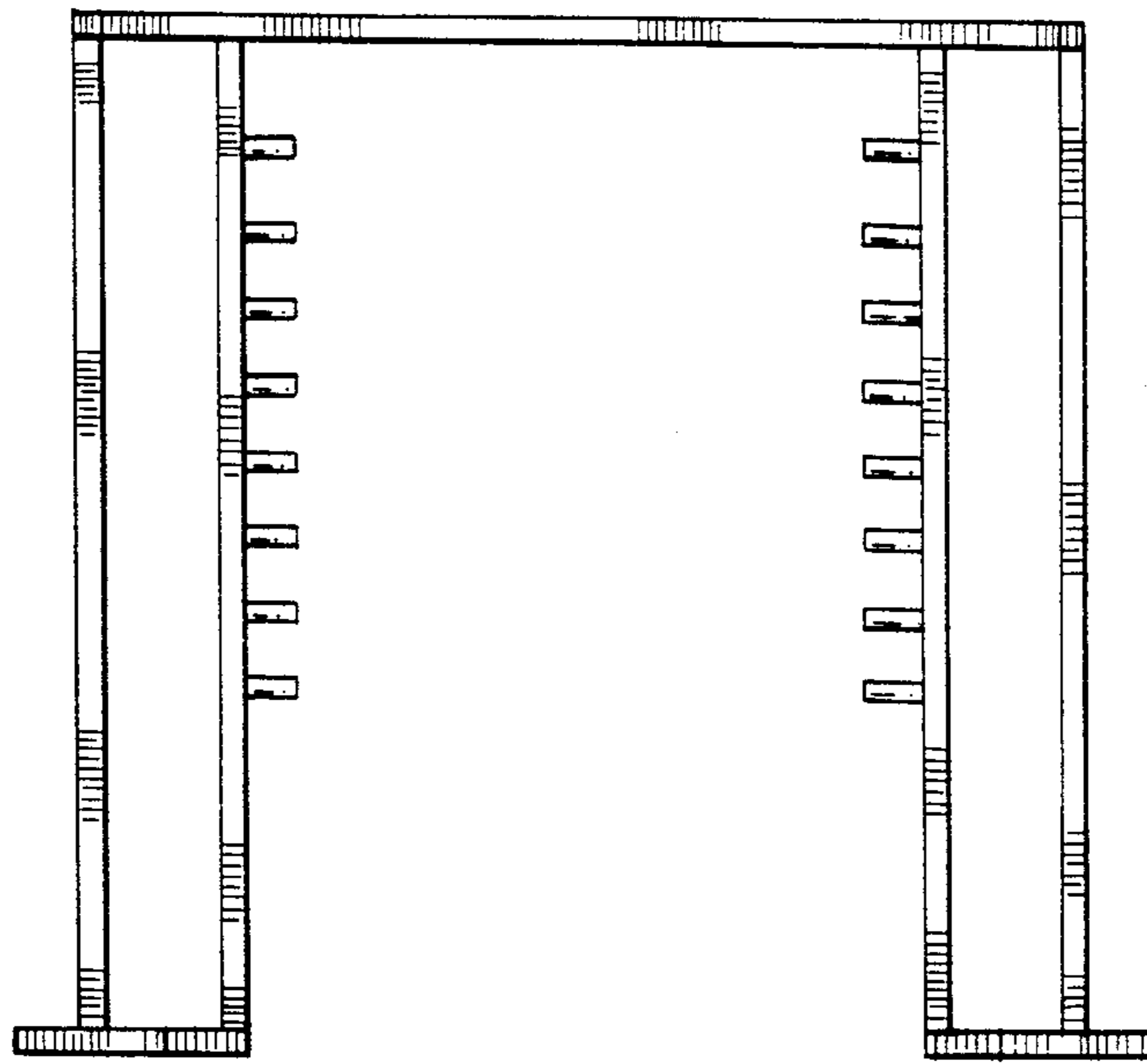


FIG. 2

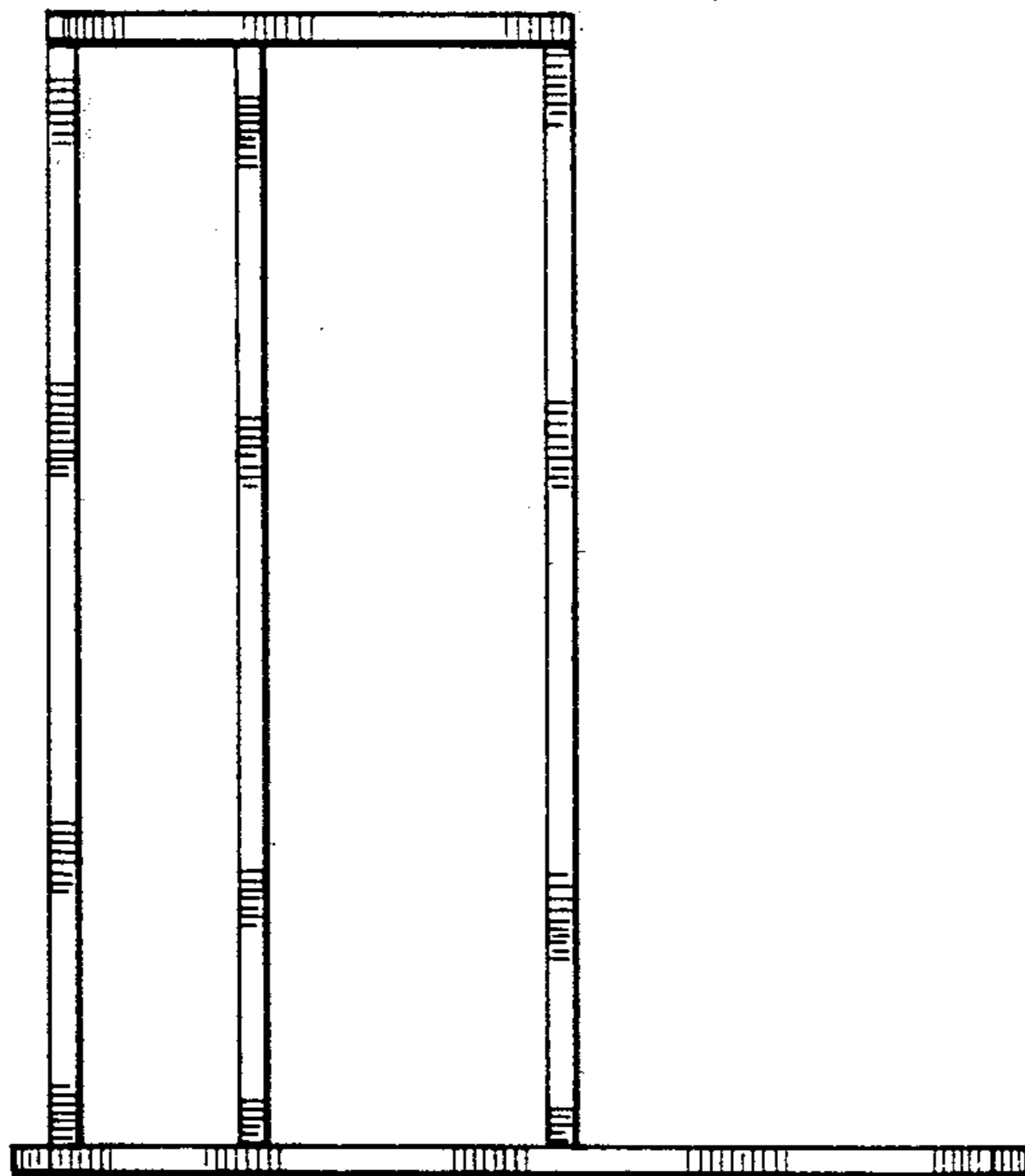


FIG. 3

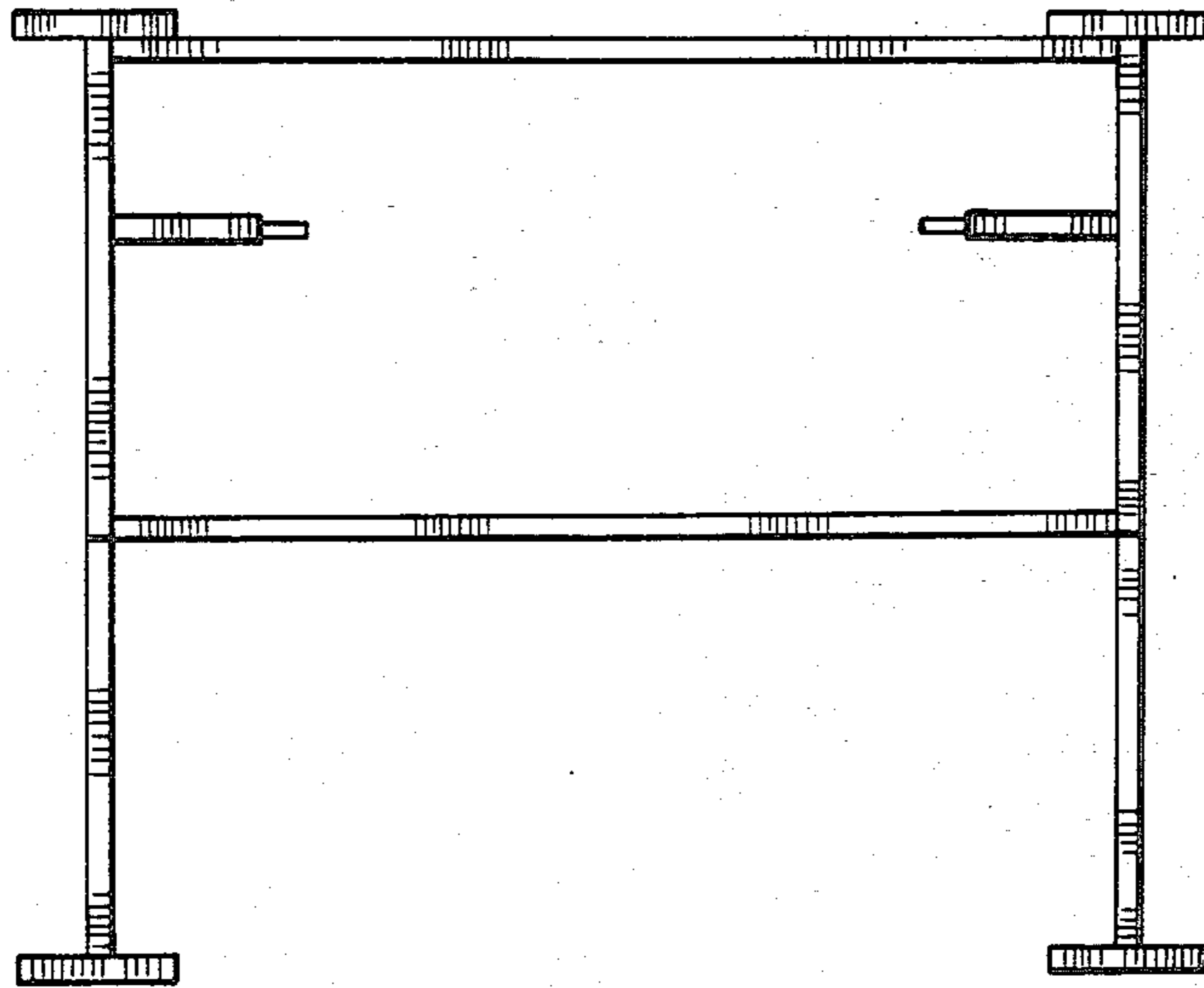


FIG. 4

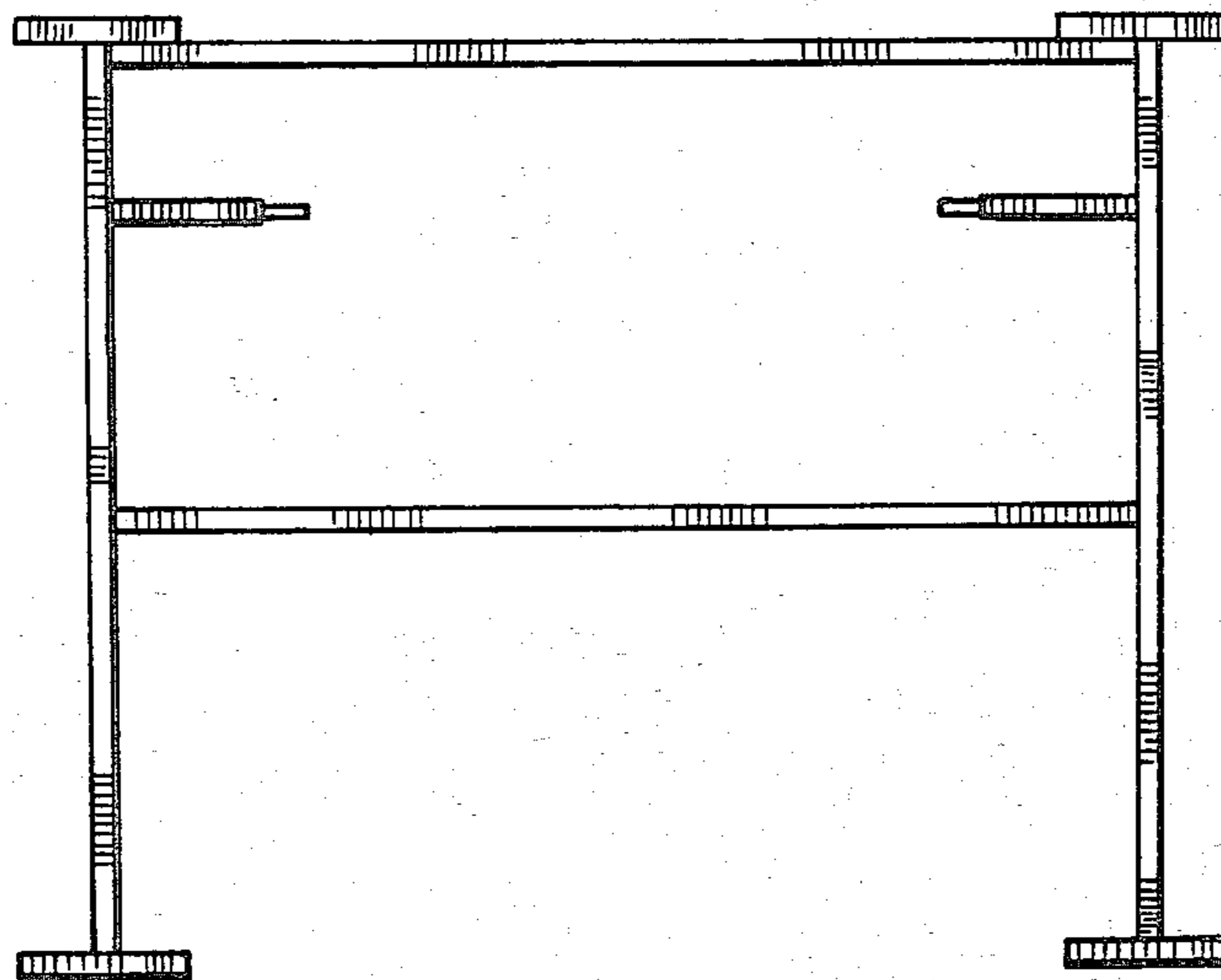


FIG. 5